



US00D360118S

United States Patent [19]

[11] Patent Number: **Des. 360,118**

Stanepher, Sr. et al.

[45] Date of Patent: **** Jul. 11, 1995**

[54] **COMBINED FIRE HYDRANT WRENCH AND BRACKETS**

[76] Inventors: **Jack N. Stanepher, Sr.; Joyce Stanepher**, both of 402 N. Chestnut St., Leroy, Ill. 61752

[**] Term: **14 Years**

[21] Appl. No.: **21,500**

[22] Filed: **Apr. 19, 1994**

[52] U.S. Cl. **D8/26; D8/21; D8/28**

[58] Field of Search **D8/21-29, D8/14; 81/63, 63.2, 125, 121.1**

[56] **References Cited**

U.S. PATENT DOCUMENTS

1,705,470	3/1929	Chirpe	D8/28 X
4,651,771	3/1987	Borenstein et al.	81/121.1 X
5,033,501	7/1991	Stehling	81/125 X
5,255,576	10/1993	Keith	81/63

OTHER PUBLICATIONS

All New Hydrant Wrench Imperial Hammer Inc Flier Feb. 1969.

Primary Examiner—Terry A. Wallace
Assistant Examiner—Richelle Shelton
Attorney, Agent, or Firm—Terry M. Gernstein

[57] **CLAIM**

The ornamental design for a combined fire hydrant wrench and brackets, as shown and described.

DESCRIPTION

FIG. 1 is an exploded perspective view of the combined fire hydrant wrench and brackets showing our new design;

FIG. 2 is a front elevational view thereof;

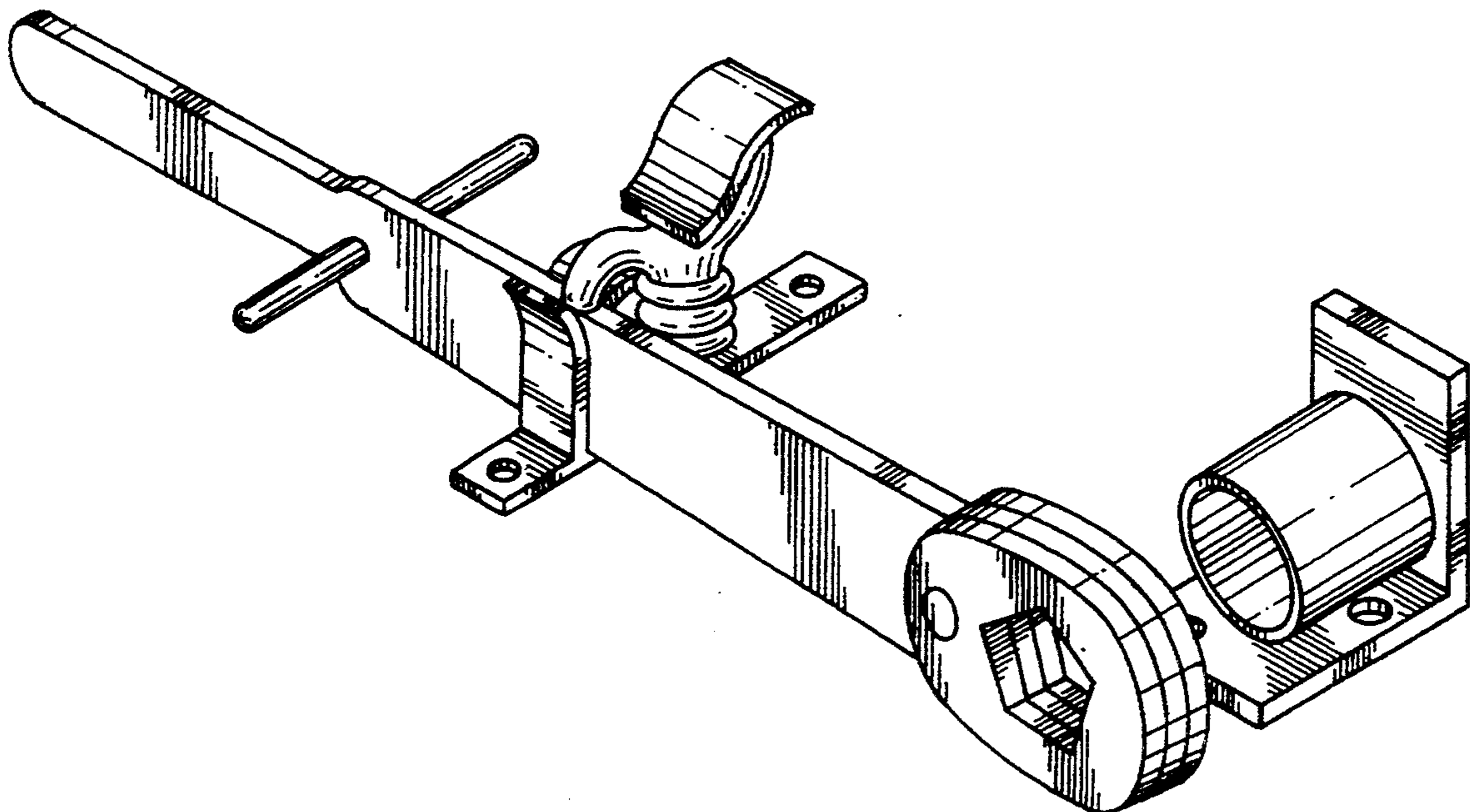
FIG. 3 is a rear elevational view thereof;

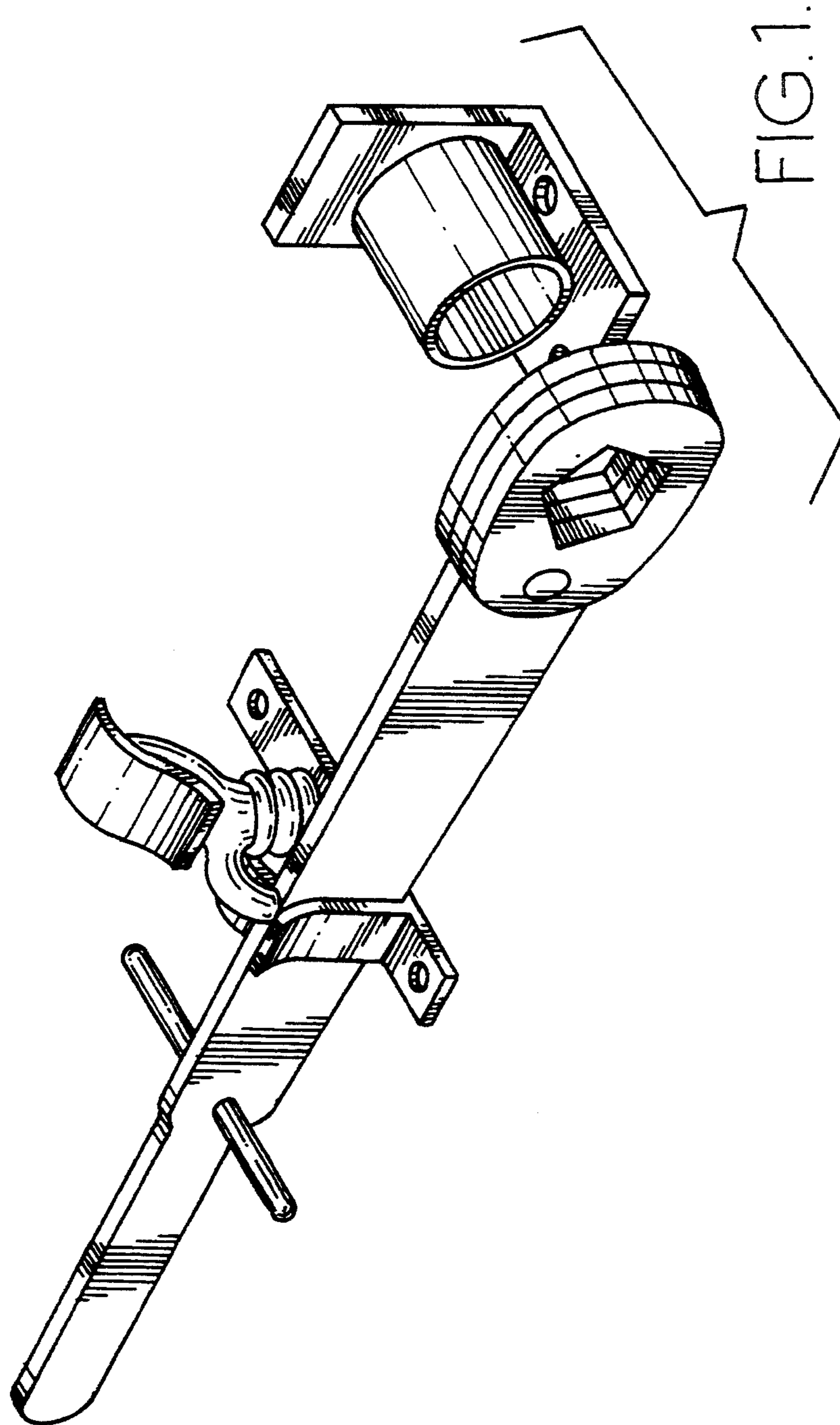
FIG. 4 is a side elevational view thereof;

FIG. 5 is a side elevational view thereof;

FIG. 6 is a top plan view thereof; and,

FIG. 7 is a bottom plan view thereof.





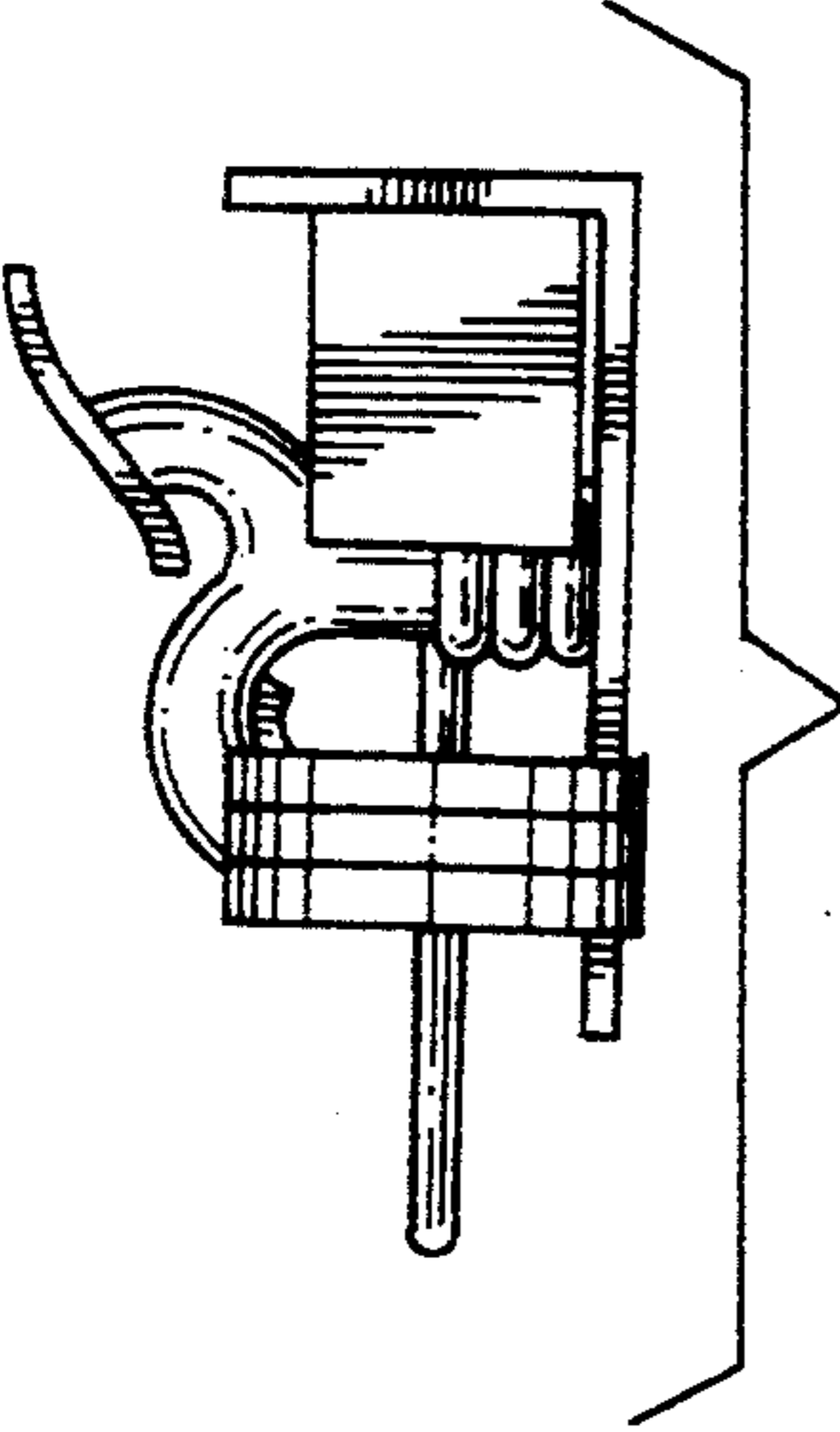


FIG. 2.

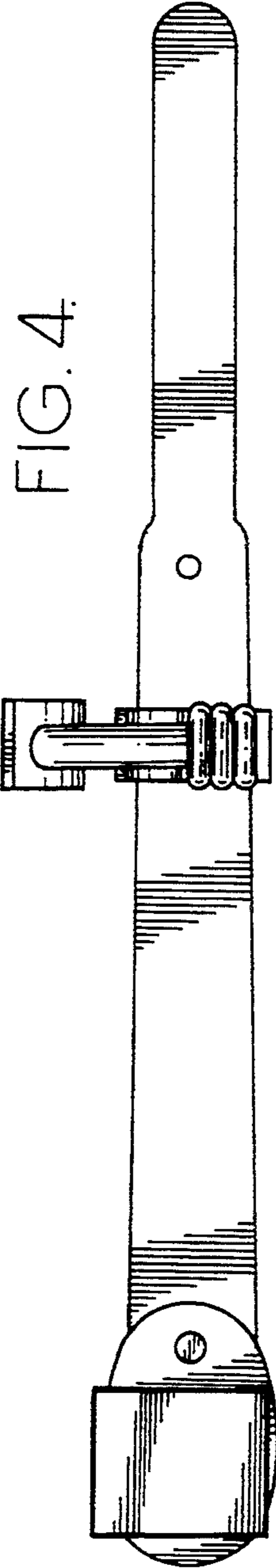


FIG. 4.

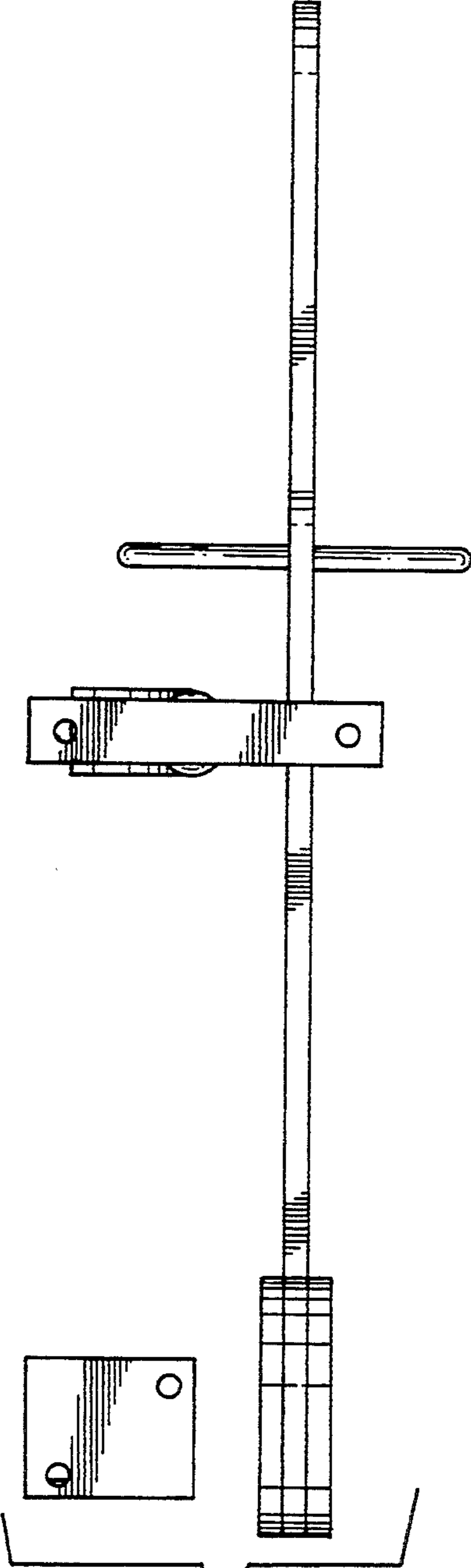


FIG. 7.

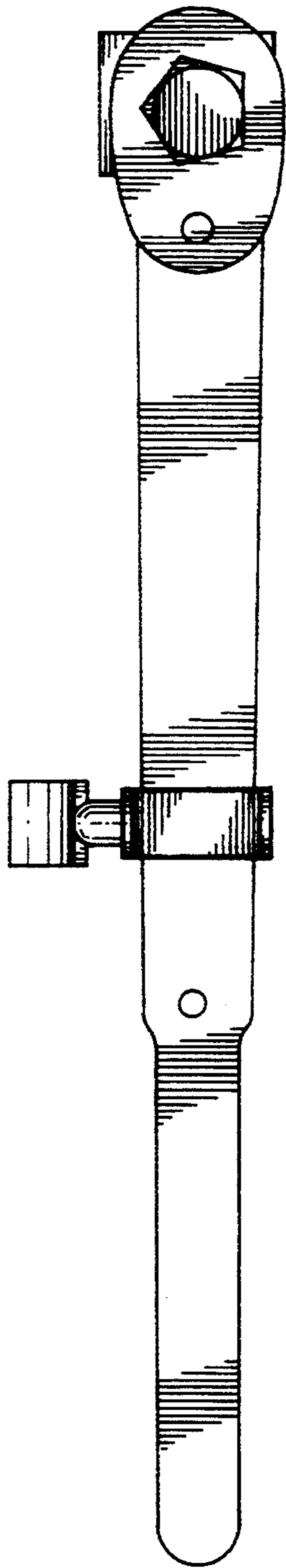


FIG. 5.

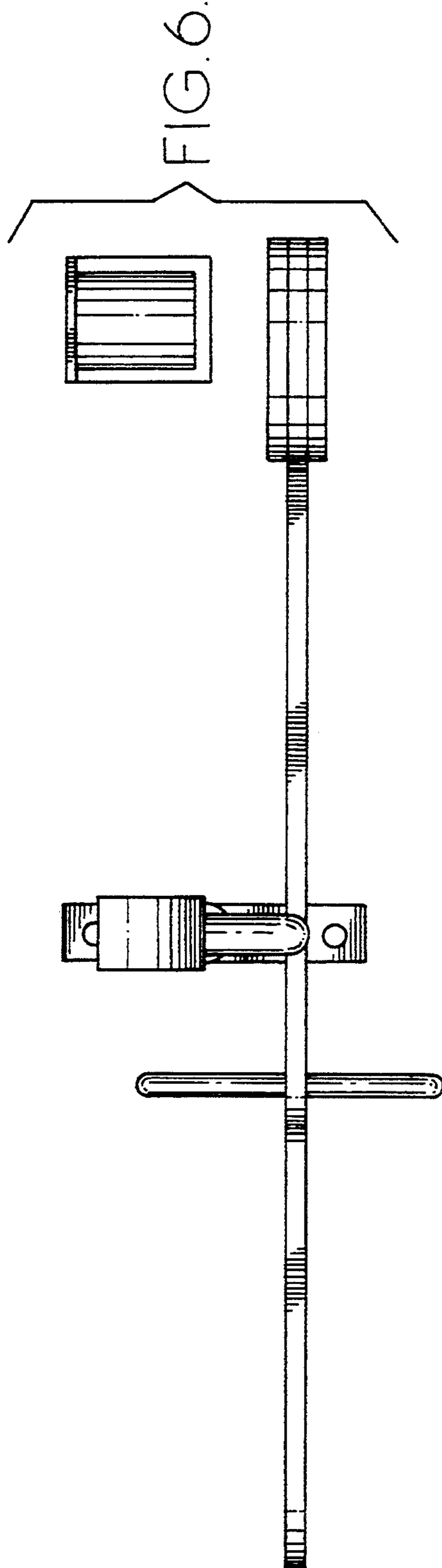


FIG. 6.

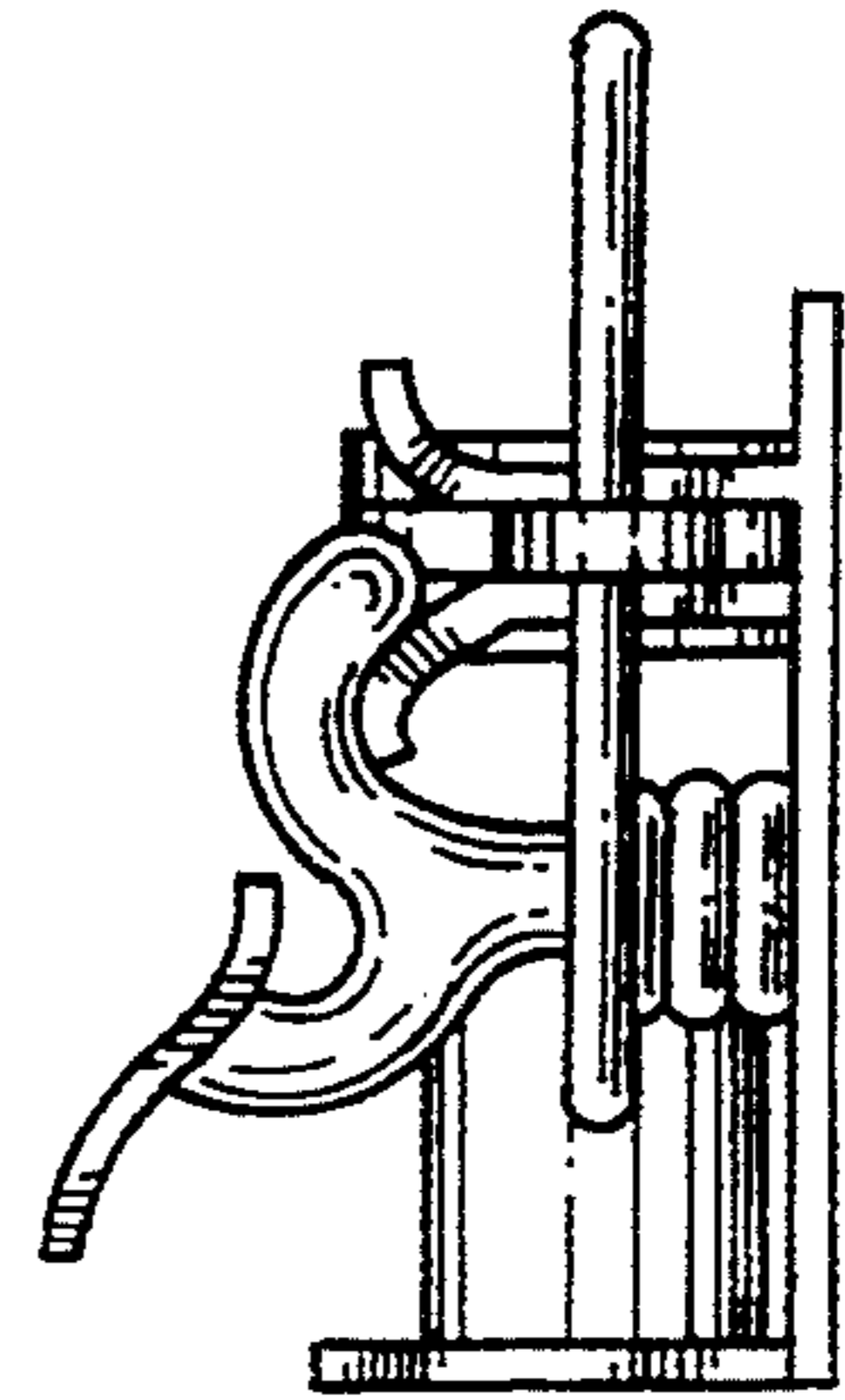


FIG. 3.