



US00D360112S

# United States Patent [19]

[11] Patent Number: **Des. 360,112**

McEntee

[45] Date of Patent: **\*\* Jul. 11, 1995**

[54] **BOWL**

[75] Inventor: **Kathy McEntee**, Baldwinville, Mass.

[73] Assignee: **Tucker Housewares**, Leonminster, Mass.

[\*] Notice: The portion of the term of this patent subsequent to Mar. 7, 2009 has been disclaimed.

[\*\*] Term: **14 Years**

[21] Appl. No.: **6,915**

[22] Filed: **Apr. 9, 1993**

[52] U.S. Cl. .... **D7/584; D7/545; D7/557**

[58] Field of Search ..... **D7/357, 624, 354, 503, D7/355, 360, 409, 402, 505, 543, 545, 548, 554, 539, 509, 367, 604, 609, 613, 629, 506, 514, 538, 540, 542, 544, 559, 560, 563, 564, 584, 557, 555, 565; 220/630, 669, 912, 671, 675, 575; 229/7.5**

D. 248,077 6/1978 Daenen .

D. 253,272 10/1979 Ottier ..... D7/545

D. 291,620 9/1987 Porchia .

D. 297,088 8/1988 Finsilver .

D. 304,658 11/1989 Mattei .

D. 338,373 8/1993 Sun ..... D7/557 X

748,026 12/1903 Sussmilch .

781,709 2/1905 Benson .

947,373 1/1910 Coleman, Sr. .... D7/505 X

1,614,338 1/1927 Aivoki ..... D7/557 X

1,949,285 2/1934 Porter ..... D7/557

2,107,381 2/1938 Leppke .

2,226,237 12/1940 Cooper .

2,294,657 9/1942 Flanagan .

2,318,149 4/1943 Ferman .

2,352,684 7/1944 Braddock .

2,589,967 3/1952 Sawter ..... D7/624 X

3,473,489 10/1969 Sargent ..... D7/357 X

5,207,743 5/1993 Costarella et al. .... 220/575 X

### FOREIGN PATENT DOCUMENTS

59435 10/1987 Italy .

### OTHER PUBLICATIONS

Examiner's Report, Date; May 13, 1994; Appln. No. 09-04-93-3.

*Primary Examiner*—Alan P. Douglas  
*Assistant Examiner*—M. N. Pandozzi  
*Attorney, Agent, or Firm*—Darby & Darby

### [57] CLAIM

The ornamental design for a bowl, as shown.

### DESCRIPTION

FIG. 1 is a perspective view of the bowl showing my new design;  
 FIG. 2 is a top view thereof;  
 FIG. 3 is a side elevational view thereof;  
 FIG. 4 is a cross-sectional view thereof, taken along the lines 4—4 of FIG. 2; and,  
 FIG. 5 is a bottom view thereof.

### [56] References Cited

#### U.S. PATENT DOCUMENTS

D. 57,832 5/1921 Gaertner .

D. 75,520 6/1928 Saunders .

D. 87,824 9/1932 Barnes .

D. 102,968 1/1937 Farber .

D. 105,812 8/1937 Siekert .

D. 115,399 6/1939 Heath .

D. 122,576 9/1940 Steinhilber .

D. 130,080 10/1941 Wynkoop .

D. 133,703 9/1942 Parker .

D. 176,634 1/1956 Schlumbohm .

D. 190,668 6/1961 Bliss .

D. 195,046 4/1963 Swett .

D. 208,097 7/1967 Henn .

D. 214,677 7/1969 Weeber .

D. 215,907 11/1969 Little .

D. 237,344 10/1975 Whitten .

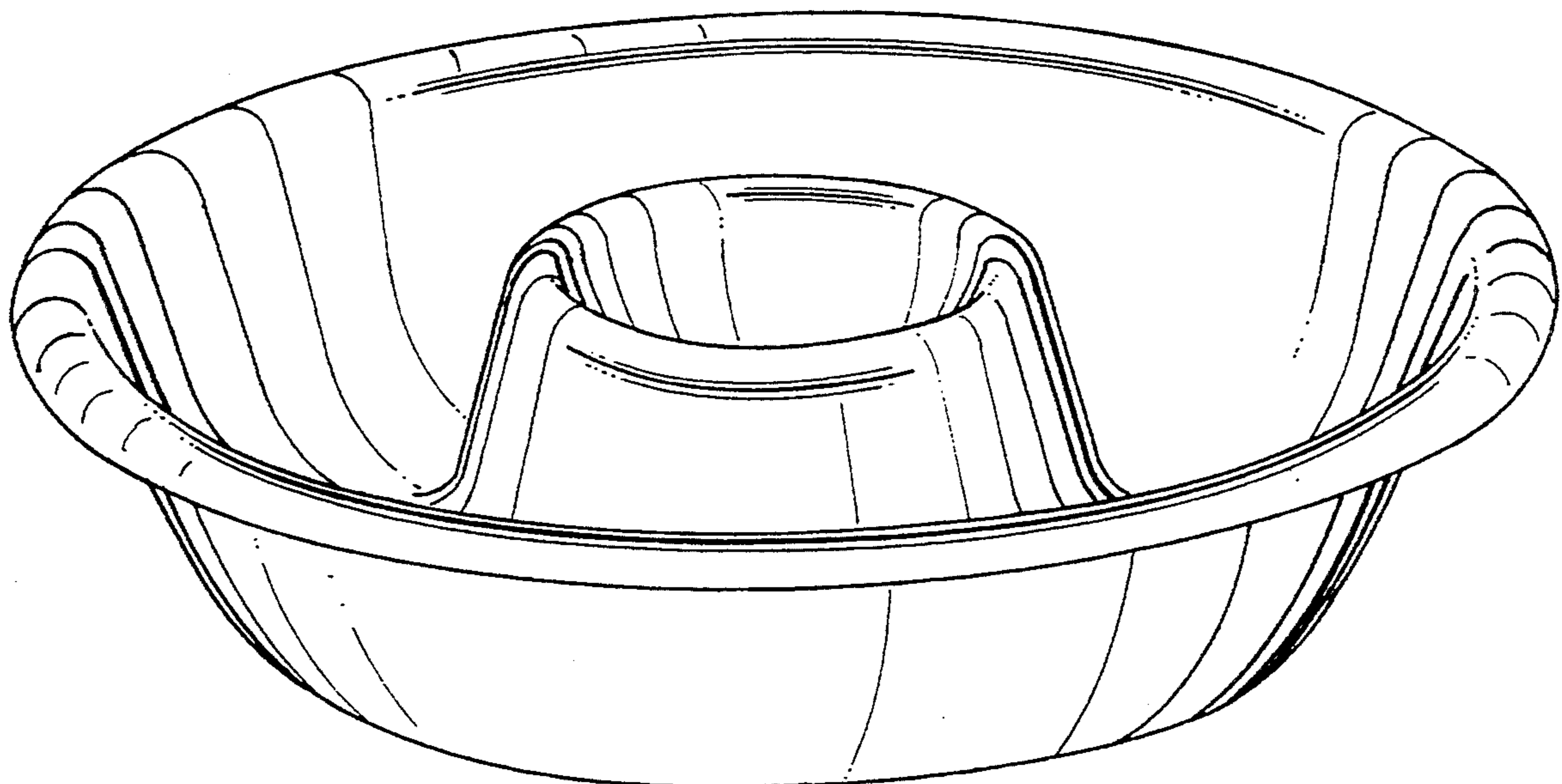


FIG. 1

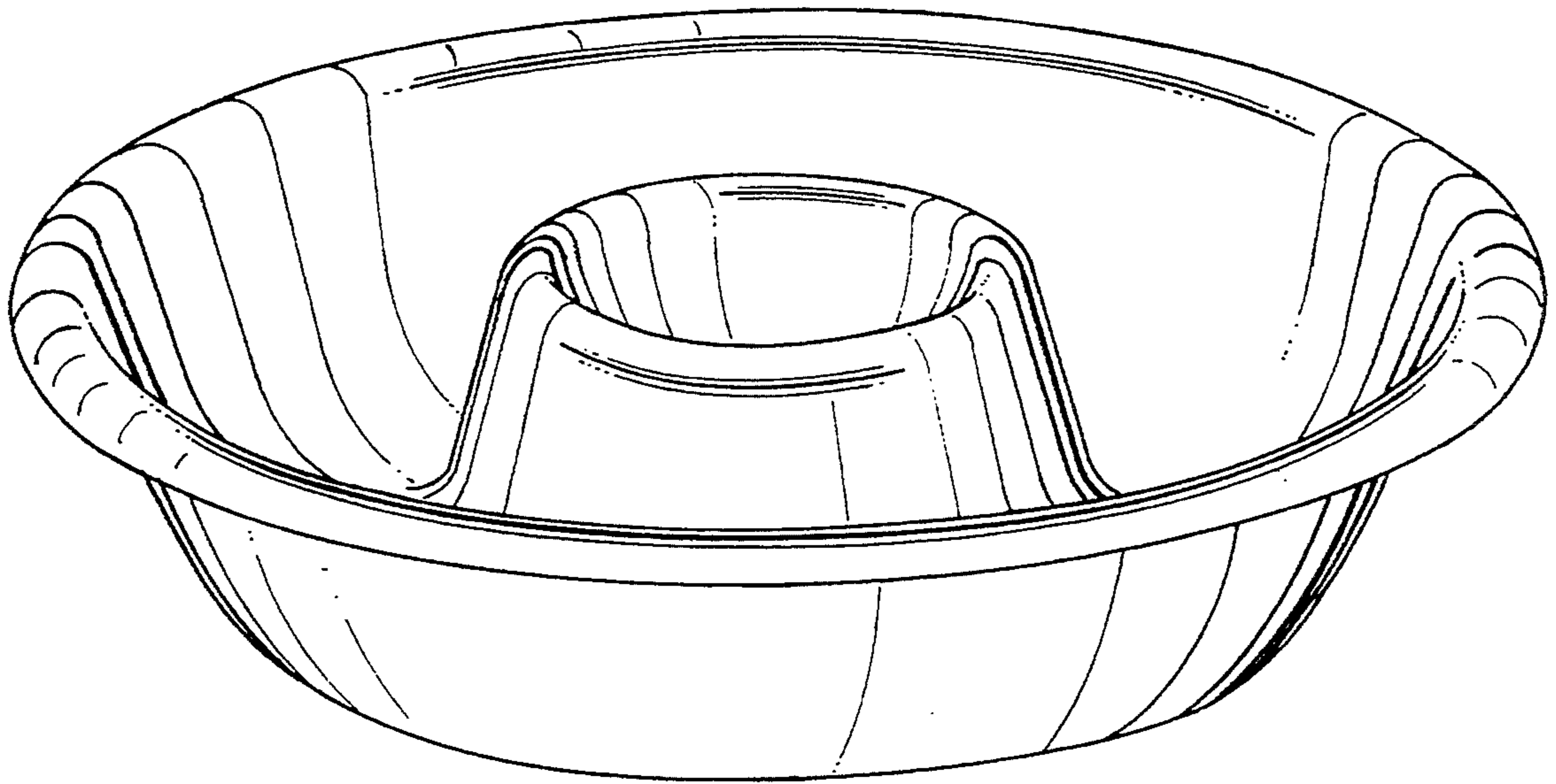


FIG. 2

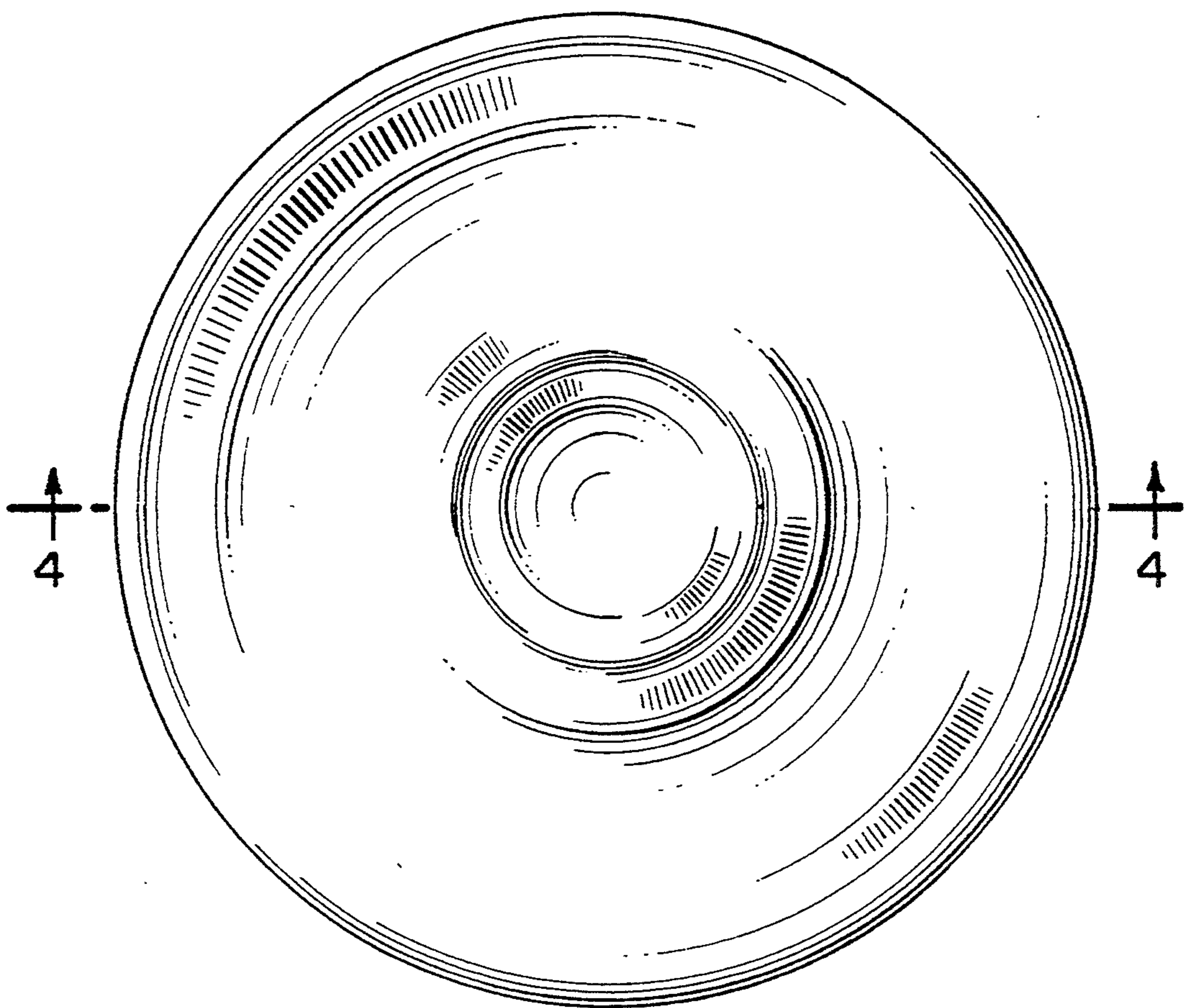




FIG. 3

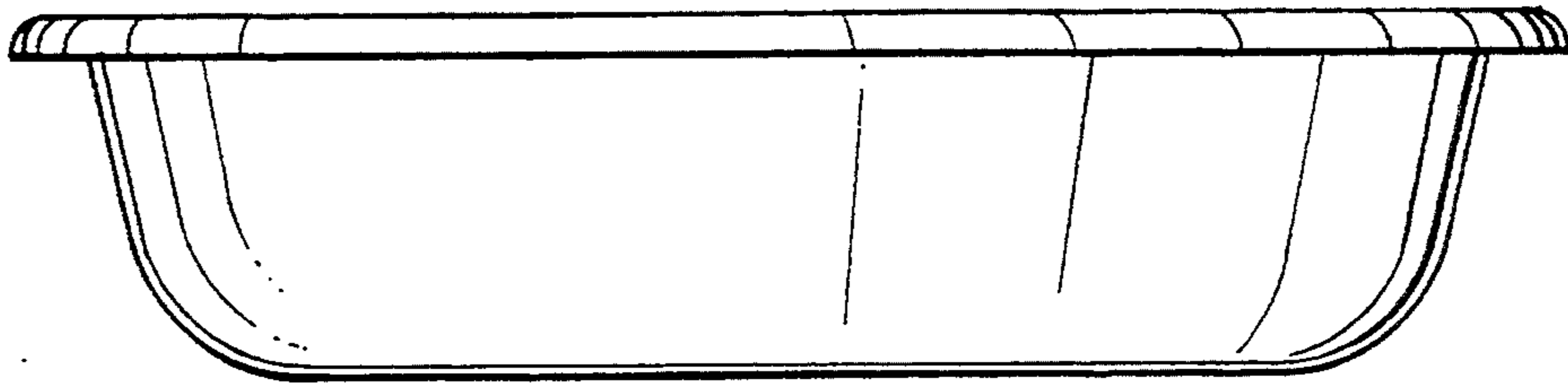


FIG. 4

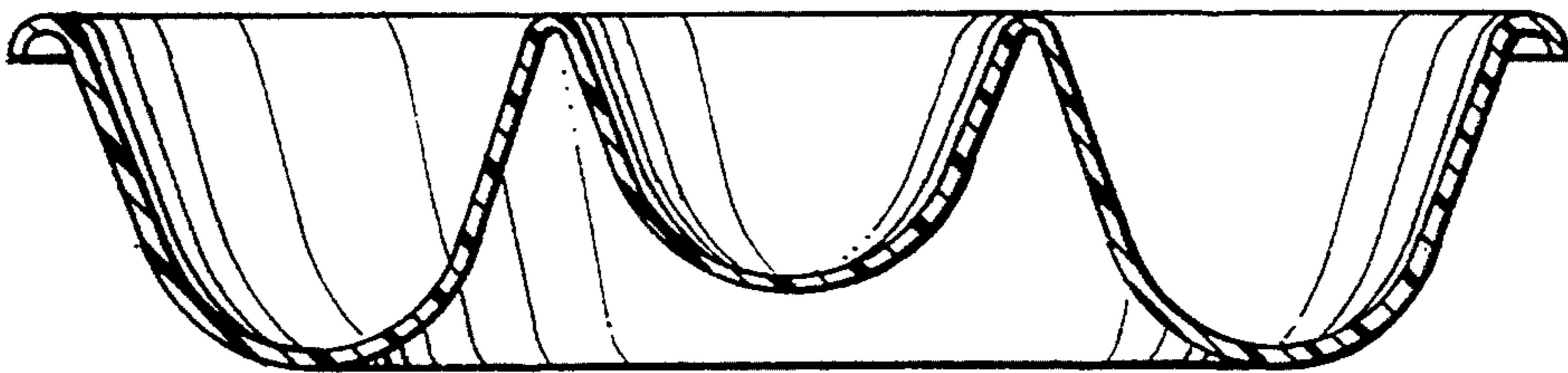


FIG. 5

