



US00D360109S

# United States Patent [19]

[11] Patent Number: **Des. 360,109**

**Blankenburg et al.**

[45] Date of Patent: **\*\* Jul. 11, 1995**

[54] **DRINK CONTAINER**

[76] Inventors: **Karl Blankenburg**, 32131 Claeys Dr., Warren, Mich. 48093; **Karl Van Blankenburg**, 61830 Lantern Cove, Washington, Mich. 48095

[\*\*] Term: **14 Years**

[21] Appl. No.: **11,340**

[22] Filed: **Aug. 2, 1993**

[52] U.S. Cl. .... **D7/515; D7/514; D7/533; D7/536**

[58] Field of Search ..... **D7/509, 510, 511, 514, D7/515, 517, 523, 559, 533, 536, 563, 569, 564, 613, 623, 539, 538, 307; D27/106; D9/309, 307, 451, 337, 545; D21/205, 204; D24/198**

[56] **References Cited**

**U.S. PATENT DOCUMENTS**

- D. 37,298 1/1905 Maddock ..... D7/511
- D. 196,375 9/1963 Fradette ..... D7/511
- D. 209,425 11/1967 Wells ..... D9/307
- D. 253,988 1/1980 Eagar .
- D. 268,000 2/1983 Witt, Jr. .... D9/307
- D. 271,173 11/1983 Keshishian .
- D. 271,663 12/1983 Stark et al. .
- D. 275,780 10/1984 Pearson ..... D21/205 X
- D. 283,009 3/1986 Jennette .
- D. 283,980 5/1986 Haswell .
- D. 292,462 10/1987 Petrasek ..... D7/515
- D. 301,002 5/1989 Kalamaras et al. .... D7/515
- D. 301,003 5/1989 Burns ..... D7/515
- D. 302,050 7/1989 Ingrisani ..... D27/106 X
- D. 310,137 8/1990 Mays .
- D. 312,942 12/1990 Huang .
- D. 323,602 2/1992 Katz .
- D. 324,975 3/1992 Miller .
- D. 327,775 7/1972 Turner ..... D9/307 X
- D. 329,539 9/1992 Klien et al. .
- D. 330,284 10/1992 Klien et al. .

- D. 340,367 10/1993 Mansson ..... D21/205 X
- D. 342,189 12/1993 Smith et al. .... D7/511 X
- 4,164,284 8/1979 Witt et al. .
- 4,339,062 7/1982 Witt, Jr. .

**OTHER PUBLICATIONS**

Taylor Gifts, 1986, p. 92.  
Tableware International, Nov. 1986, p. 52.  
Jumbo Ceramic Golf Ball, Better Homes and Gardens, Nov. 1961 p. 129.

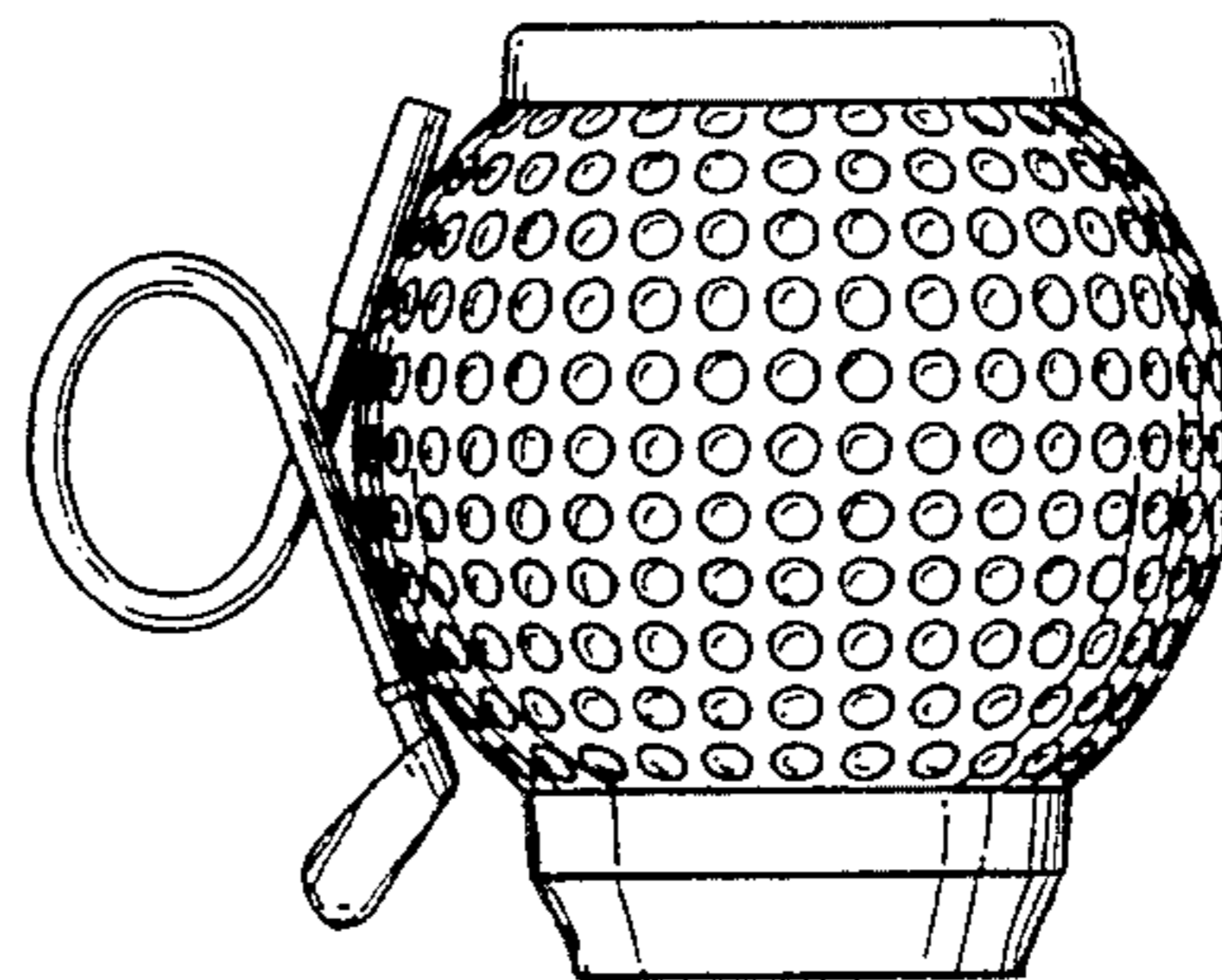
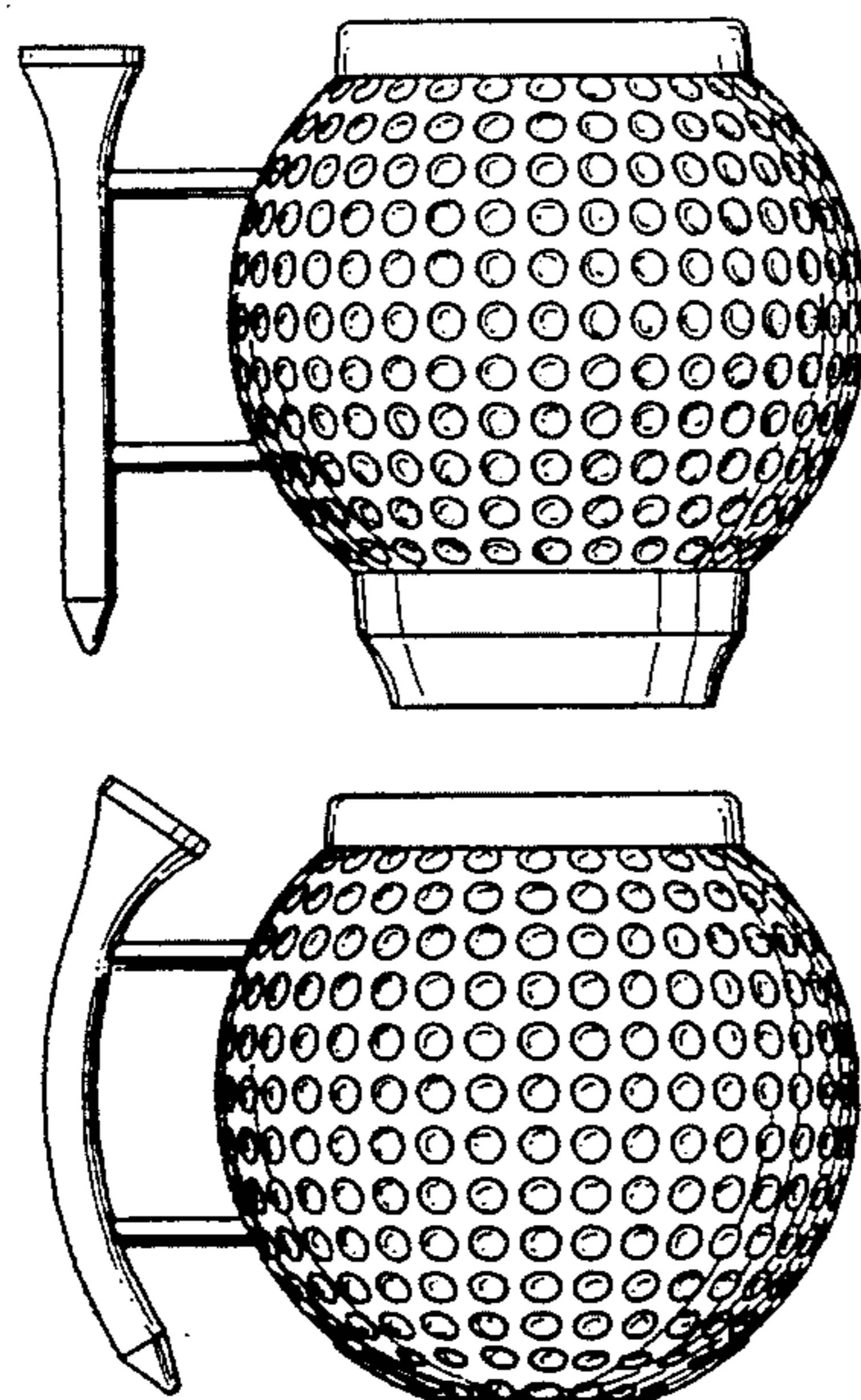
*Primary Examiner*—Alan P. Douglas  
*Assistant Examiner*—M. N. Pandozzi  
*Attorney, Agent, or Firm*—Basile and Hanlon

[57] **CLAIM**

The ornamental design for a drink container, as shown and described.

**DESCRIPTION**

FIG. 1 is a front elevational view of a first embodiment of a drink container showing our new design, the rear view being identical in appearance;  
 FIG. 2 is a left side elevational view thereof;  
 FIG. 3 is a right side elevational view thereof;  
 FIG. 4 is a top plan view thereof;  
 FIG. 5 is a bottom plan view thereof;  
 FIG. 6 is a front elevational view of a second embodiment of a drink container showing our new design, the rear view being substantially identical in appearance;  
 FIG. 7 is a left side elevational view thereof;  
 FIG. 8 is a right side elevational view thereof;  
 FIG. 9 is a top plan view thereof;  
 FIG. 10 is a bottom plan view thereof;  
 FIG. 11 is a front elevational view of a third embodiment of a drink container showing our new design, the rear view being substantially identical in appearance;  
 FIG. 12 is a left side elevational view thereof;  
 FIG. 13 is a right side elevational view thereof;  
 FIG. 14 is a top plan view thereof; and,  
 FIG. 15 is a bottom plan view thereof.



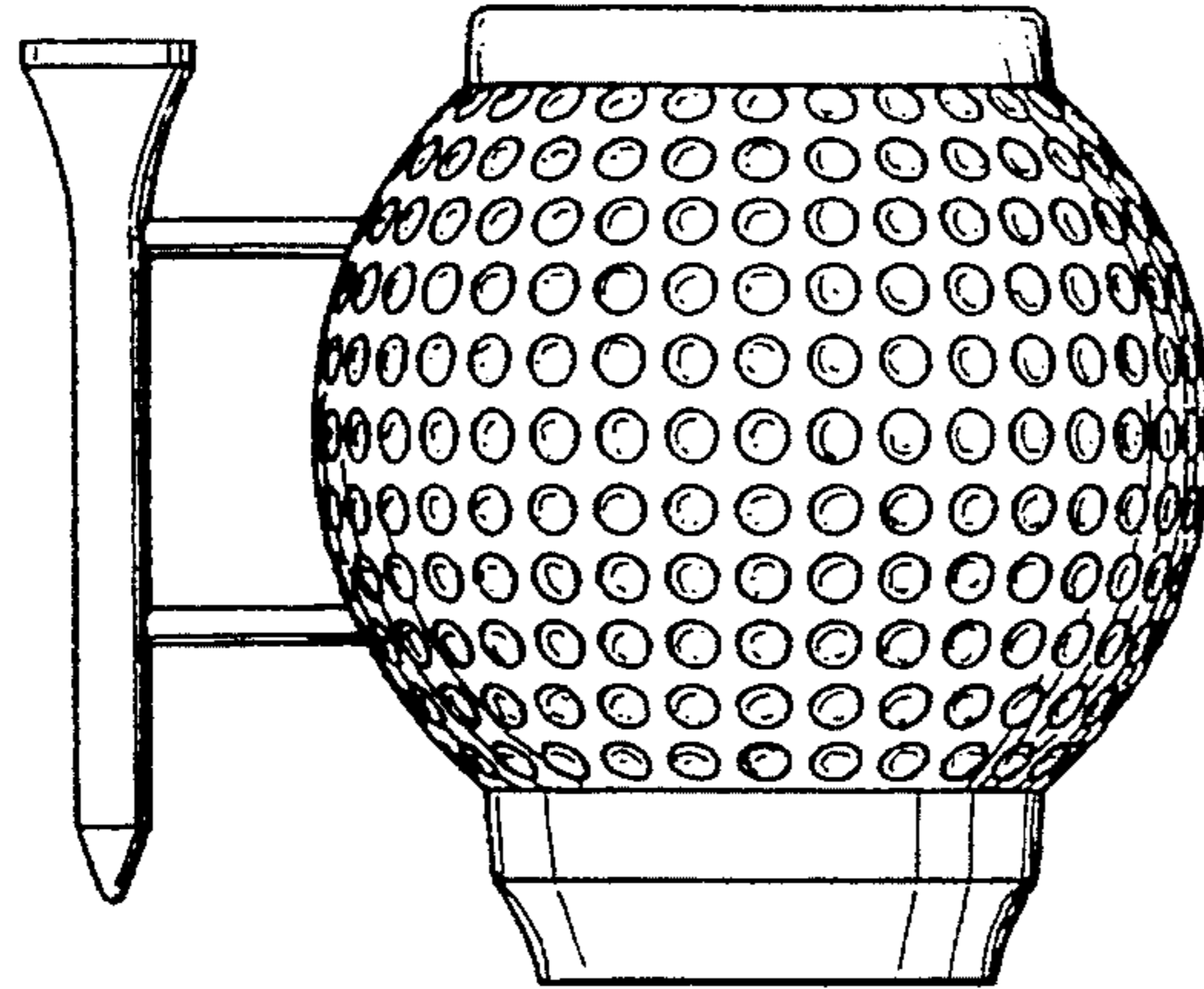


FIGURE 1

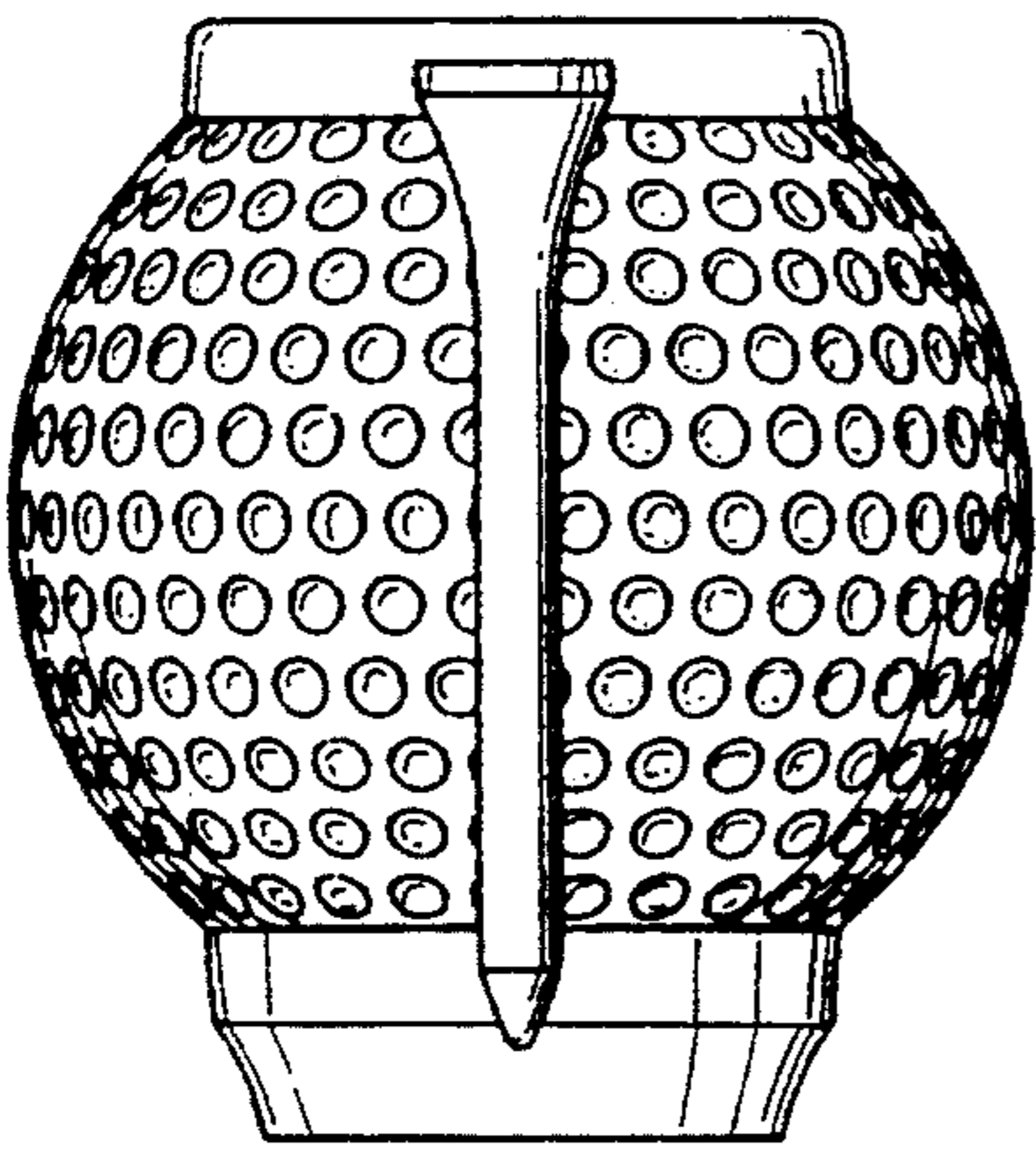


FIGURE 2

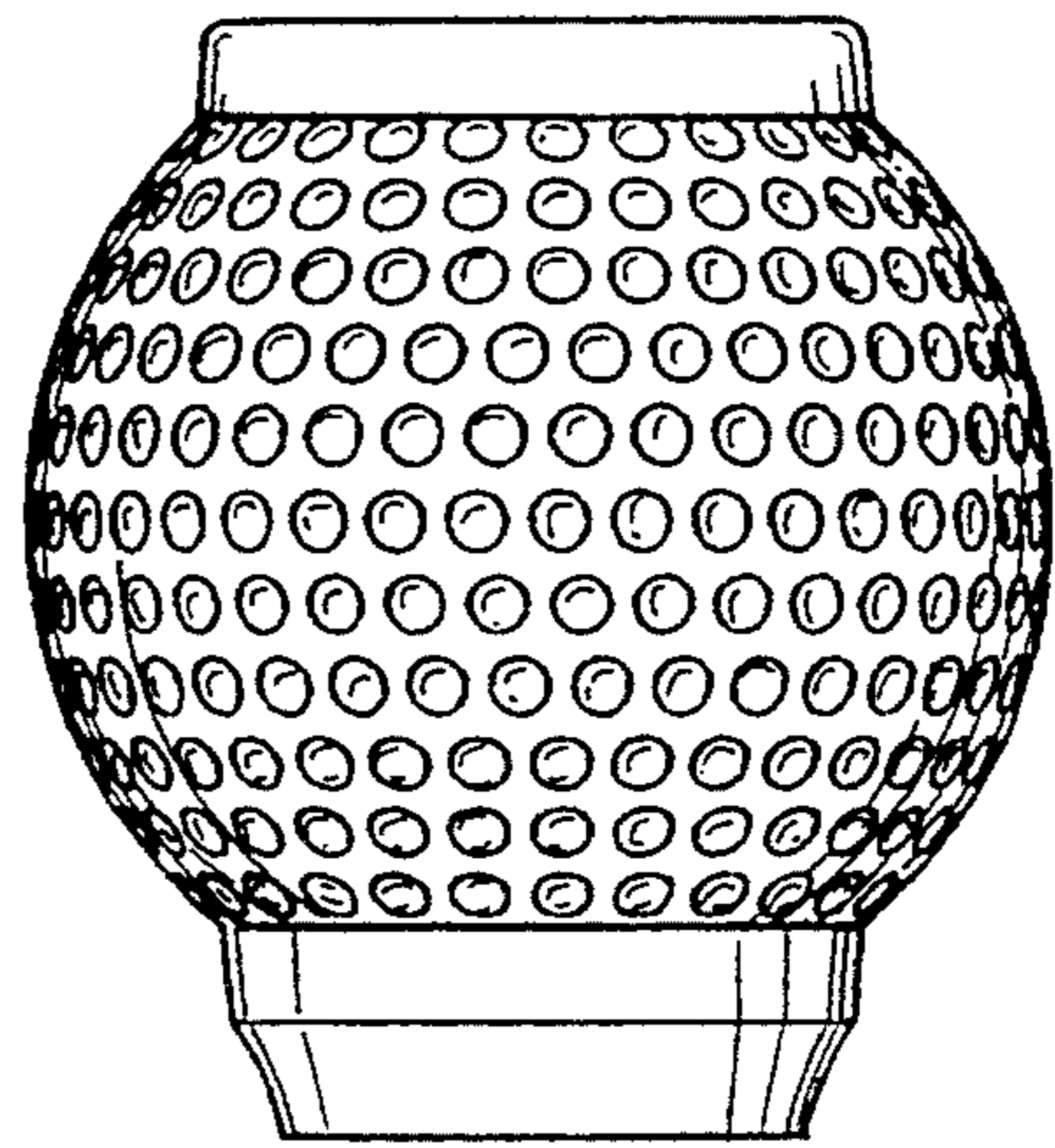


FIGURE 3

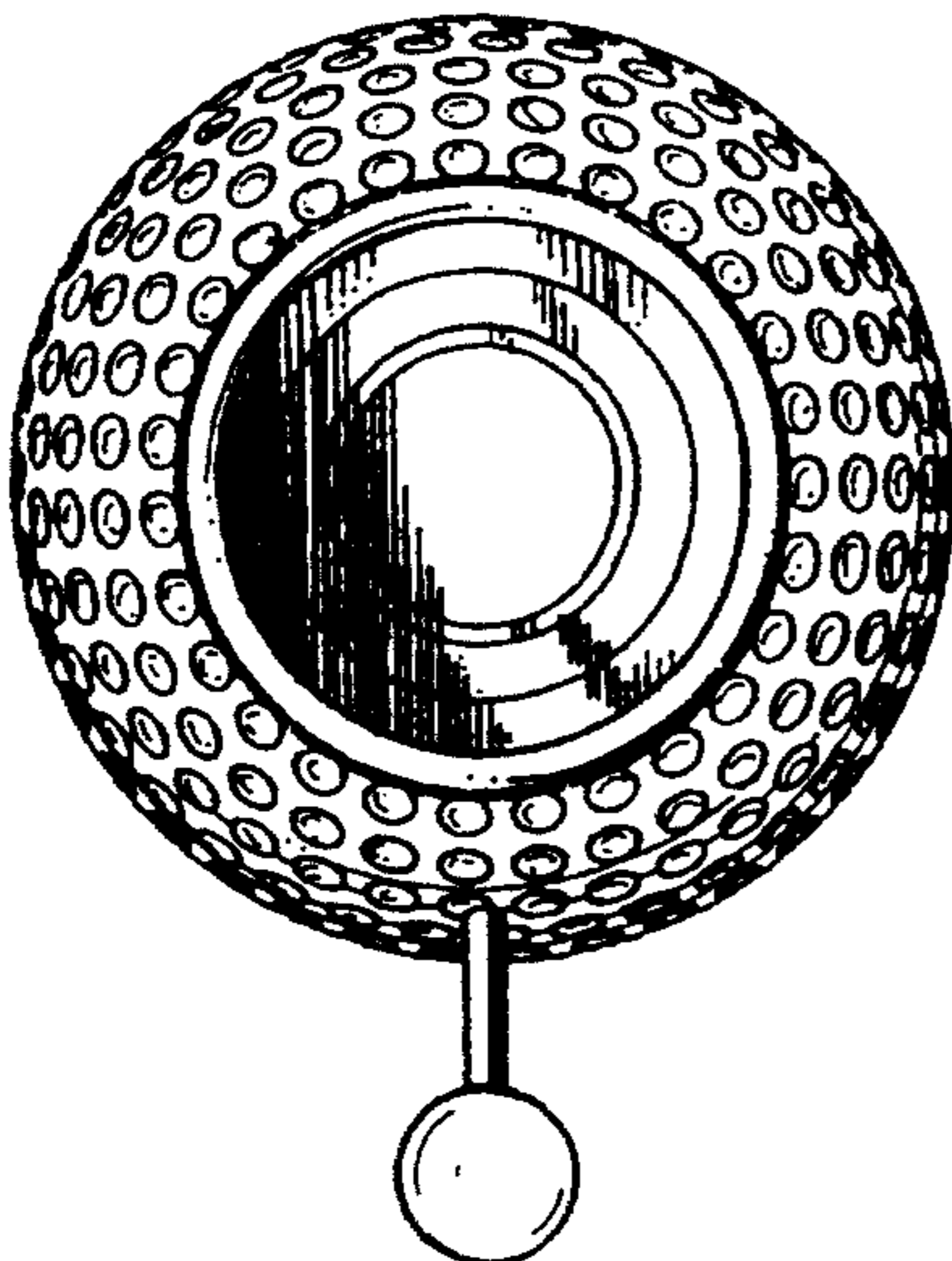


FIGURE 4

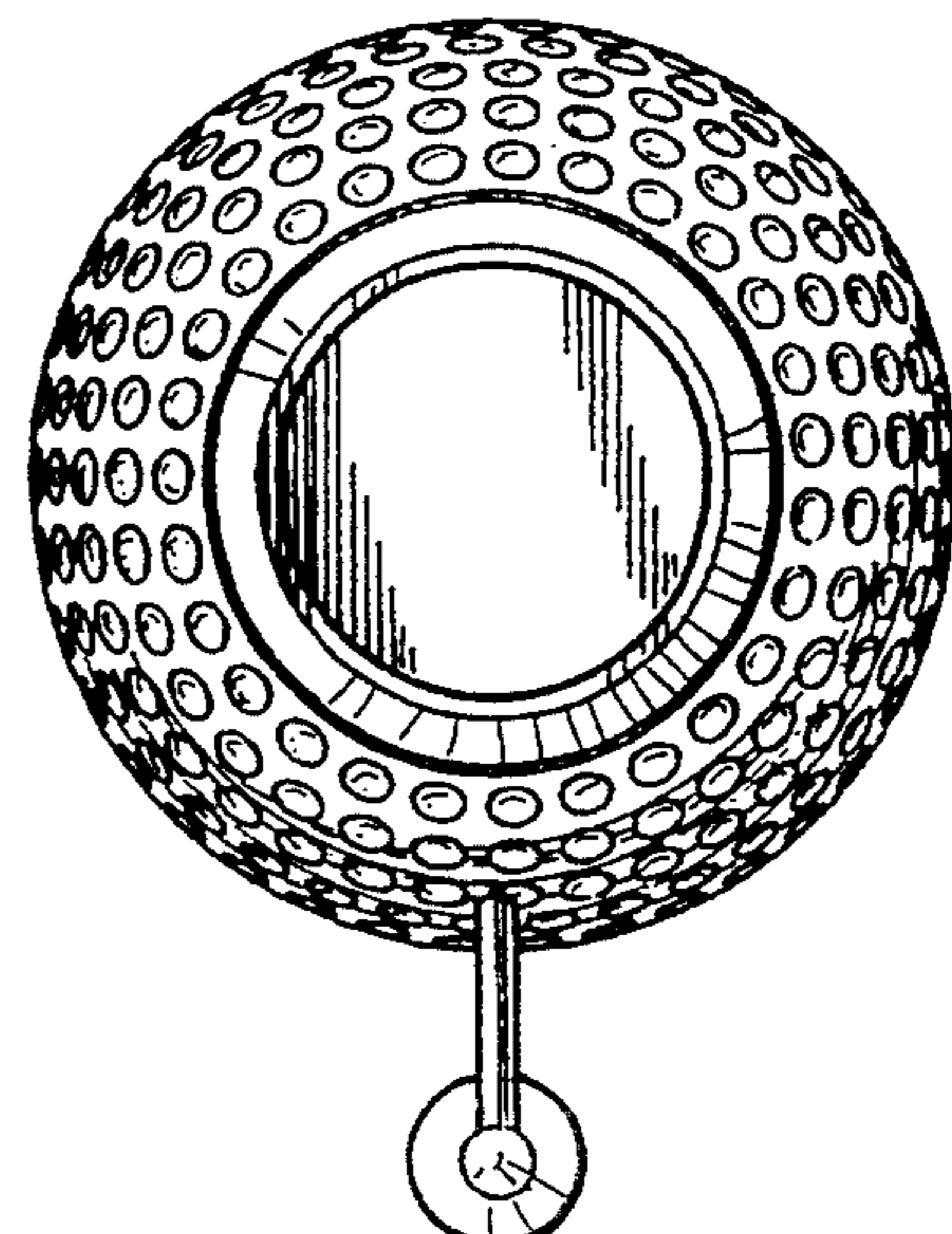


FIGURE 5

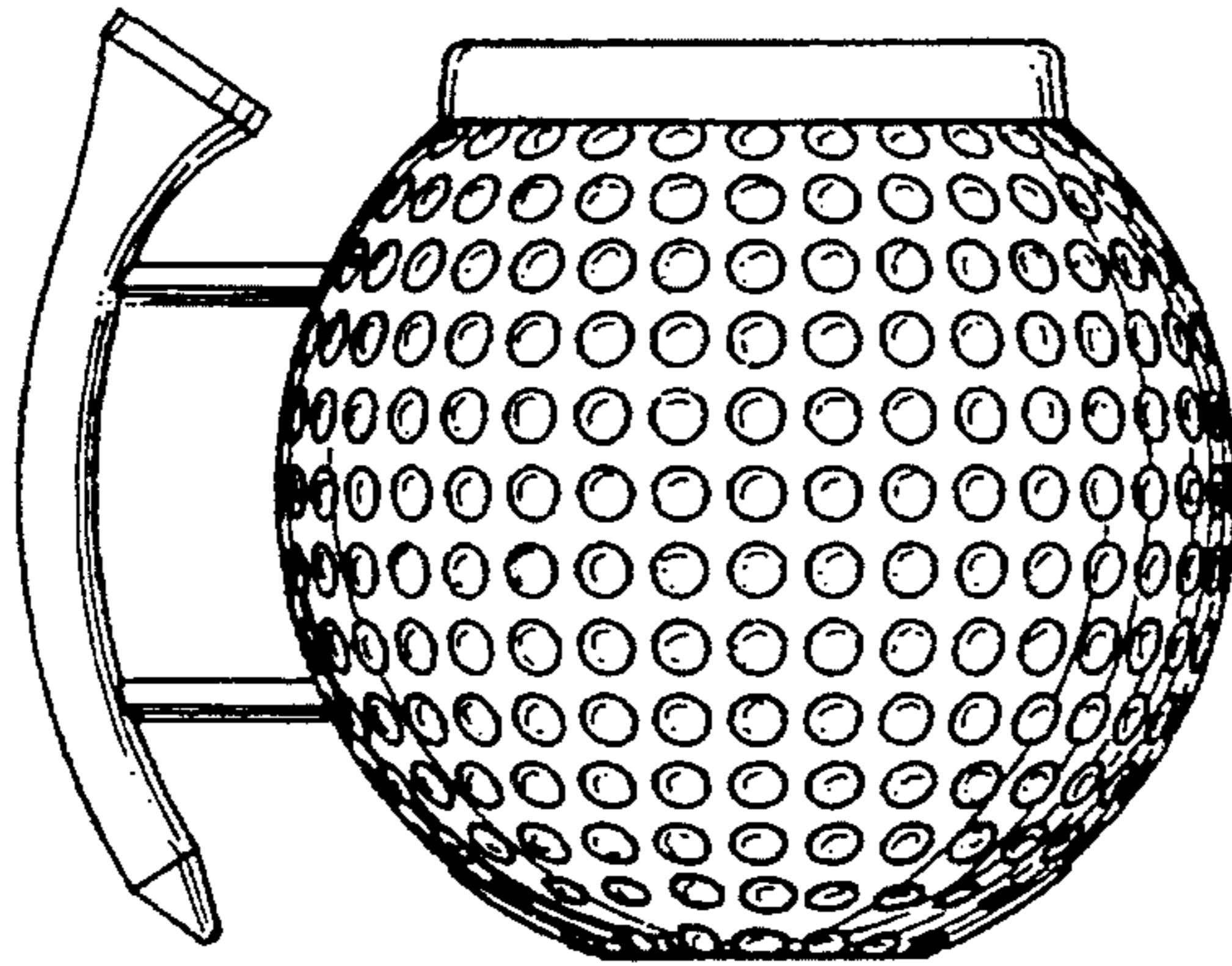


FIGURE 6

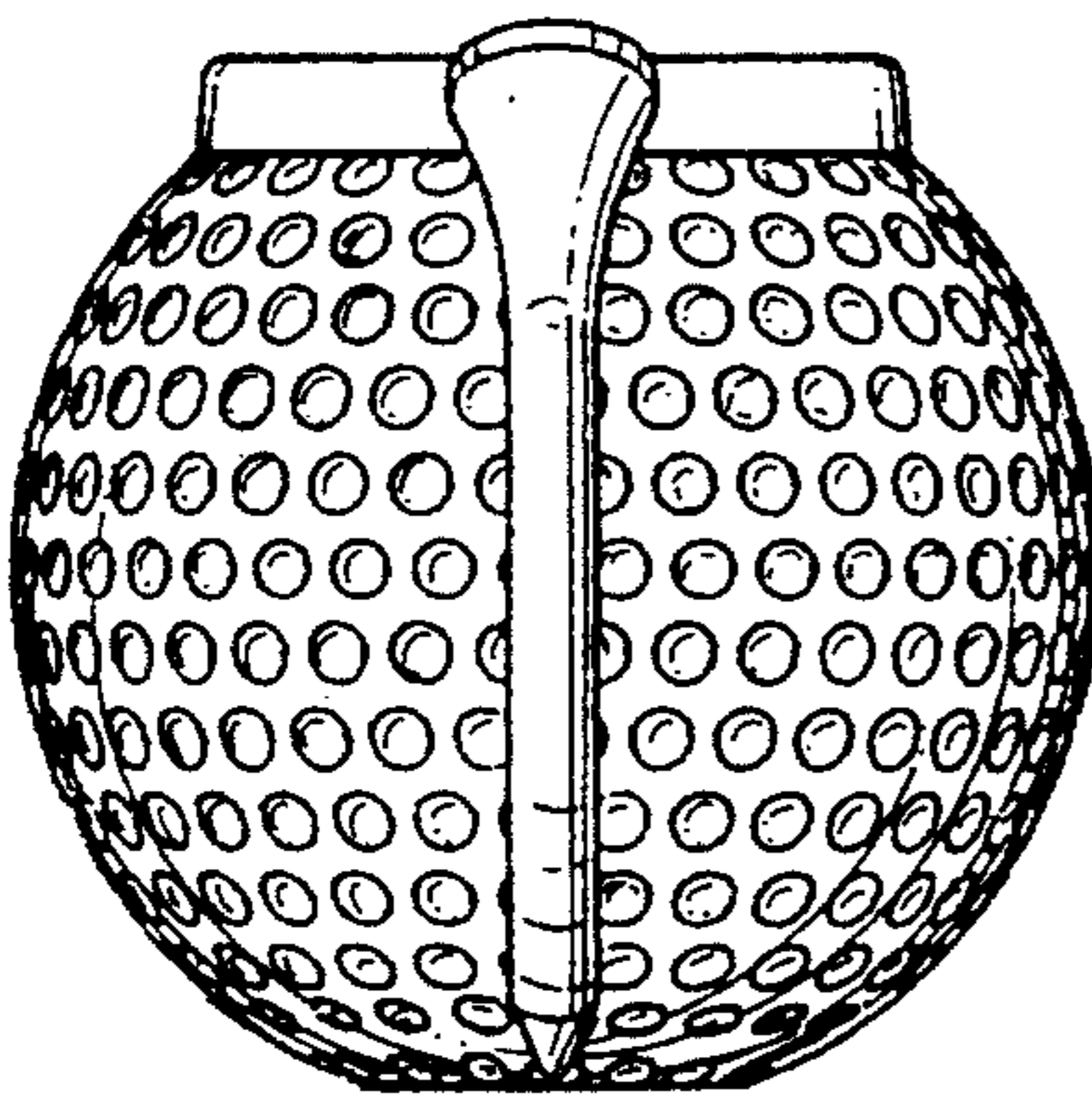


FIGURE 7

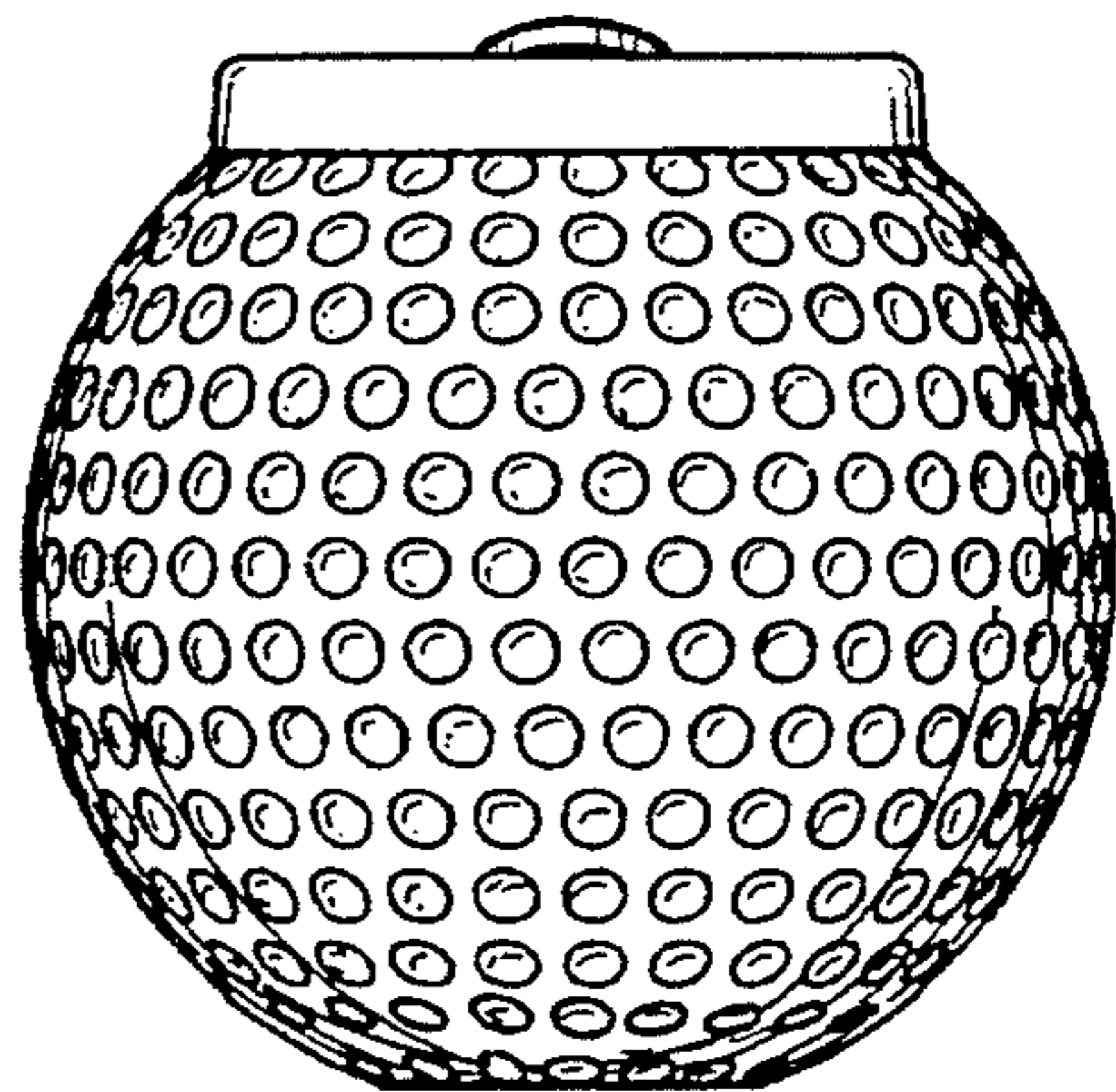


FIGURE 8

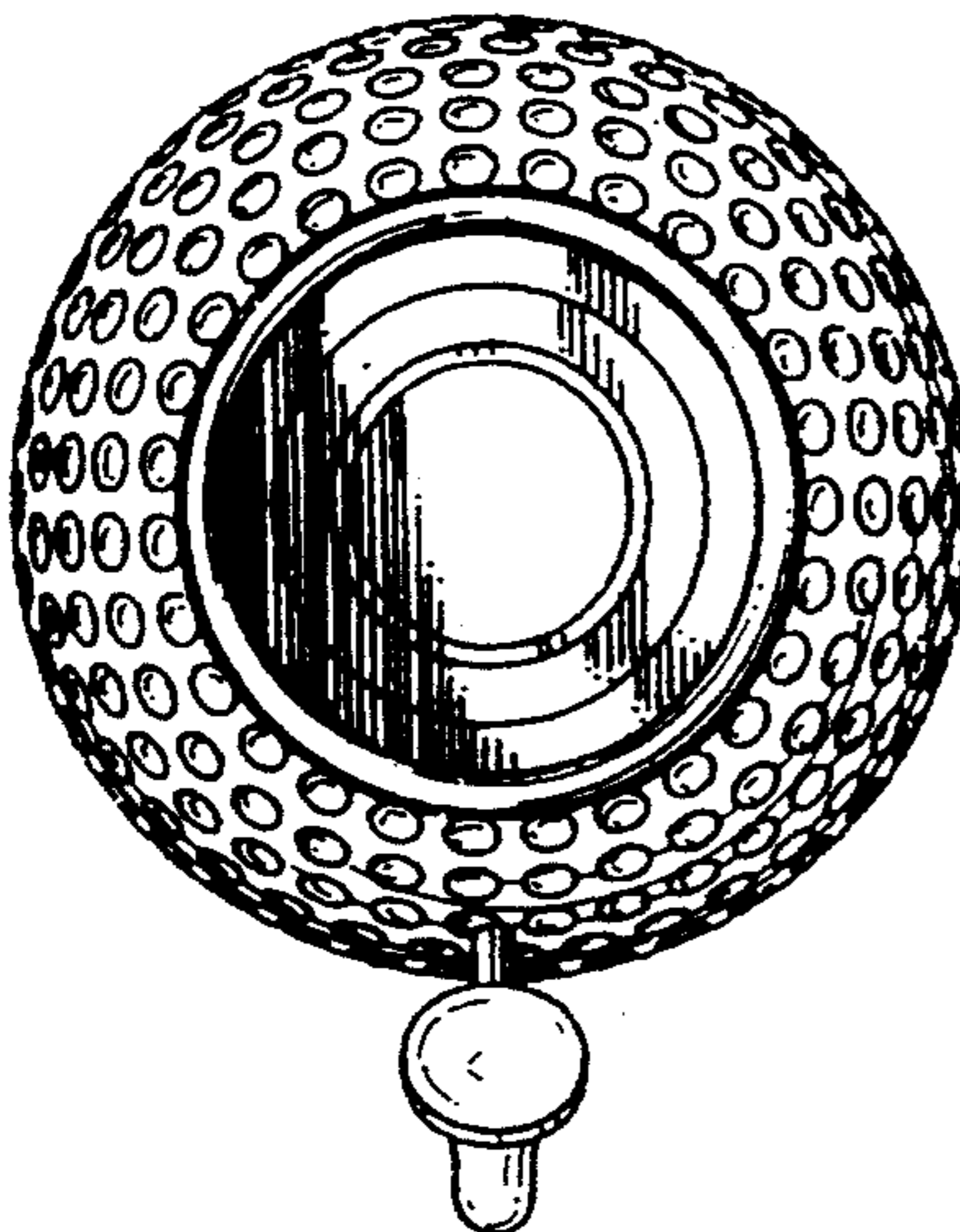


FIGURE 9

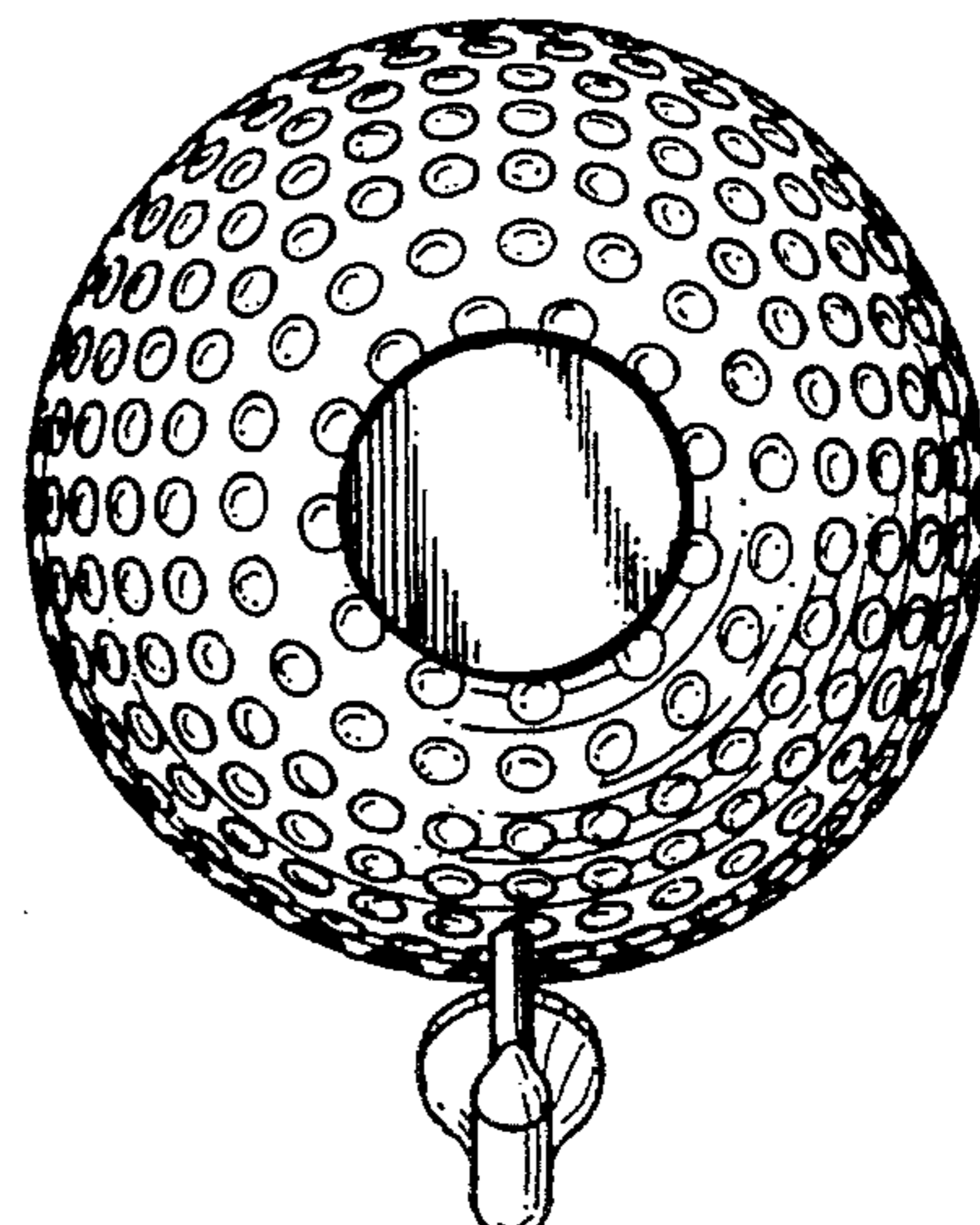


FIGURE 10

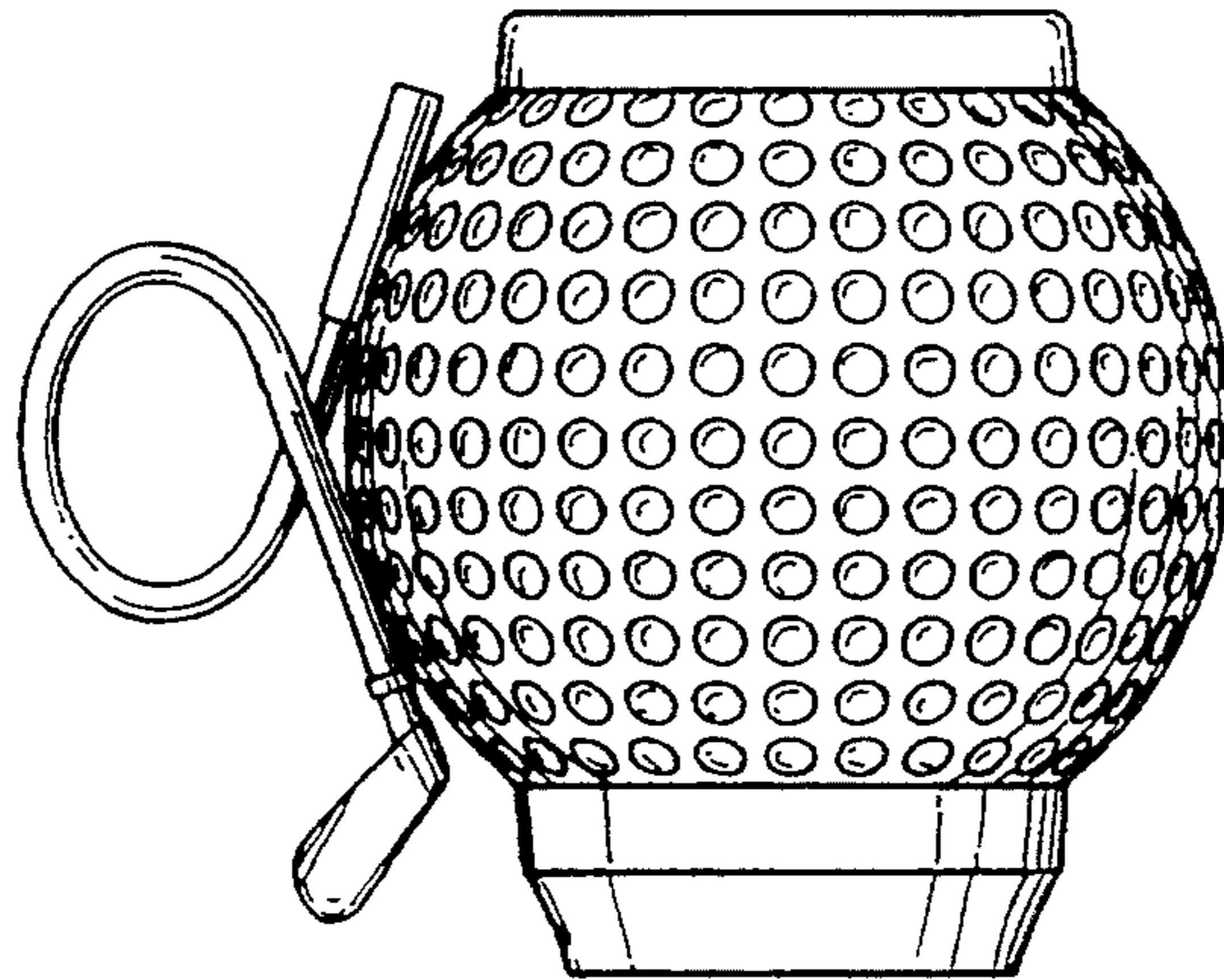


FIGURE 11

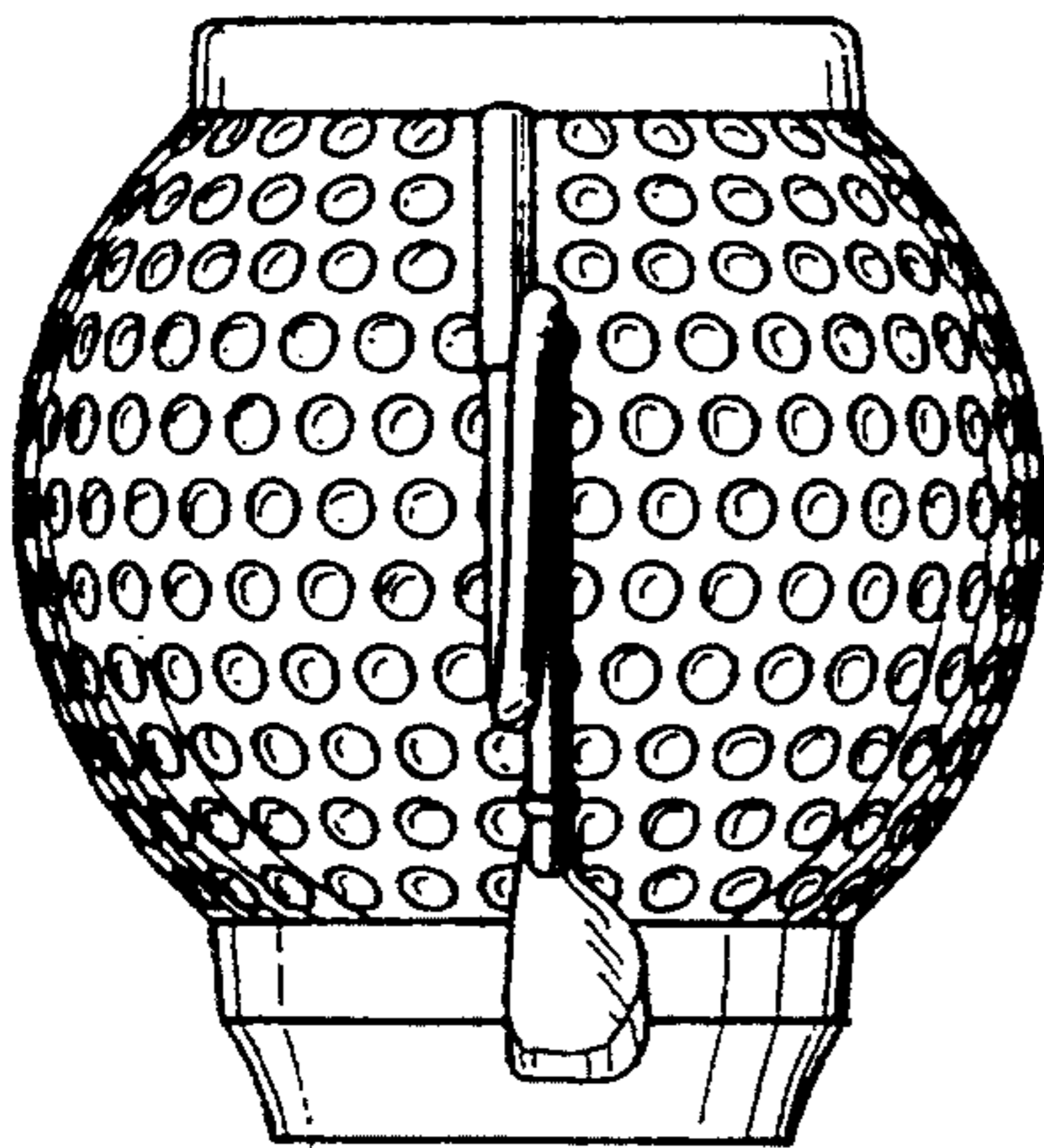


FIGURE 12

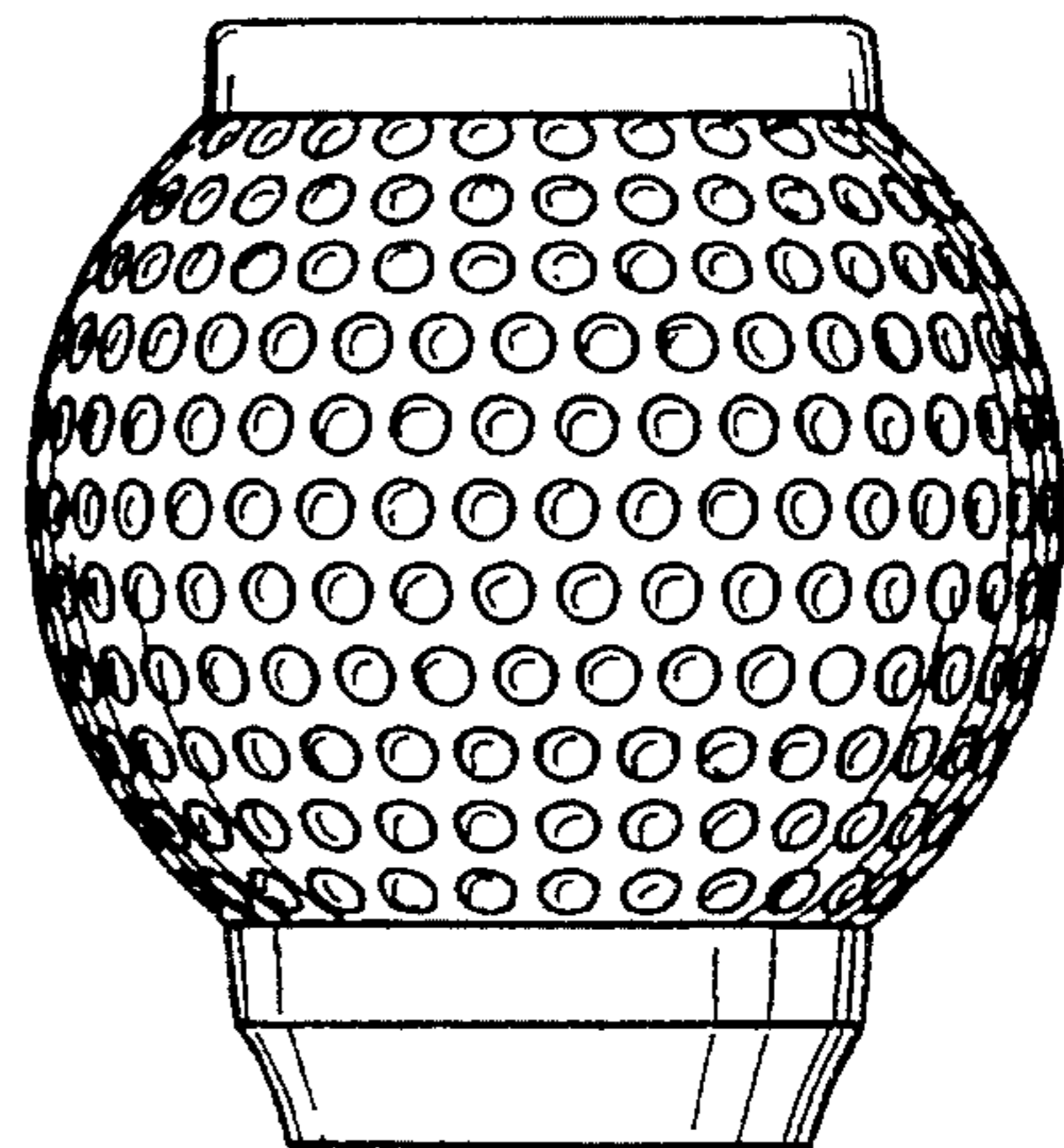


FIGURE 13

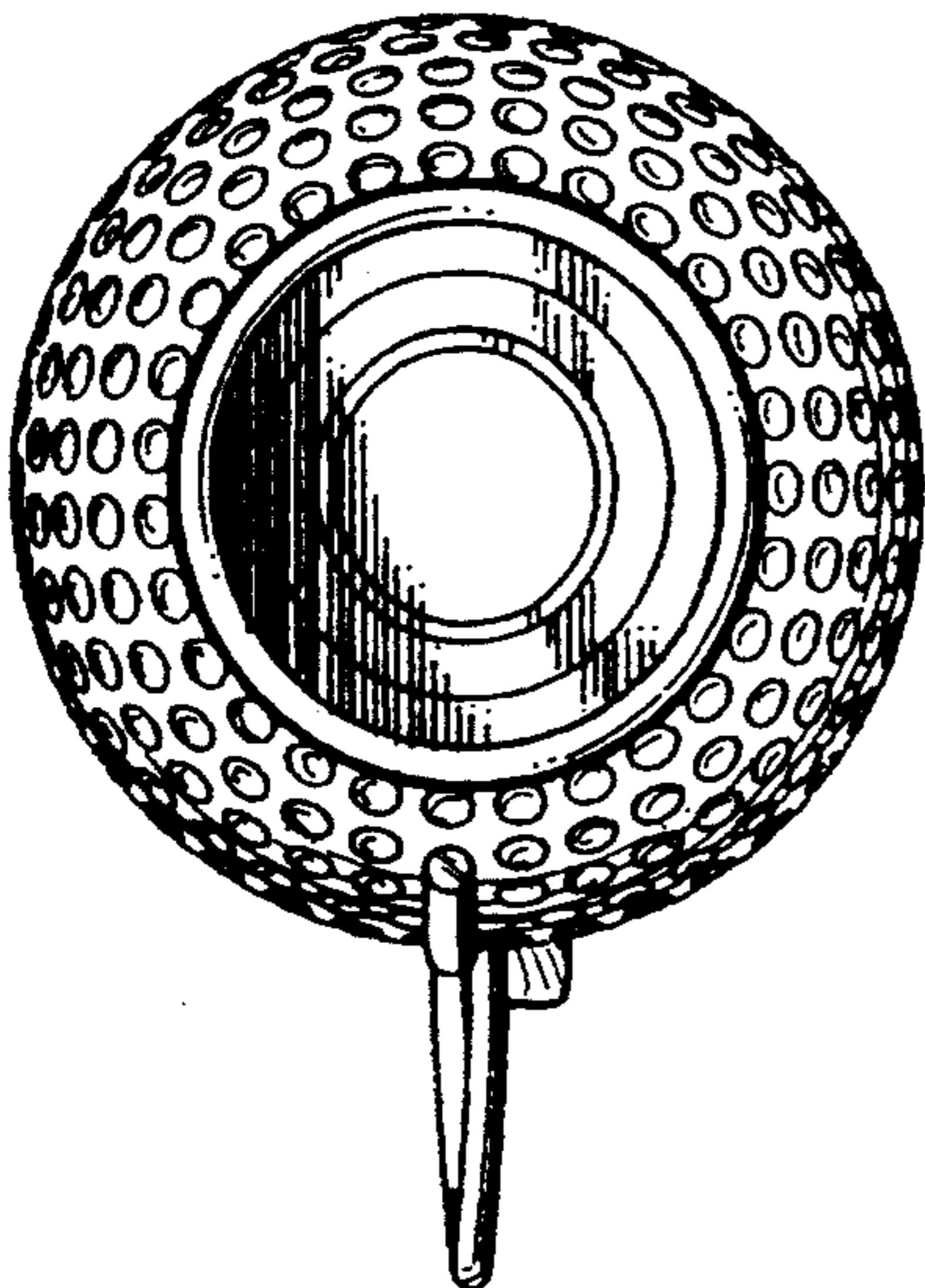


FIGURE 14

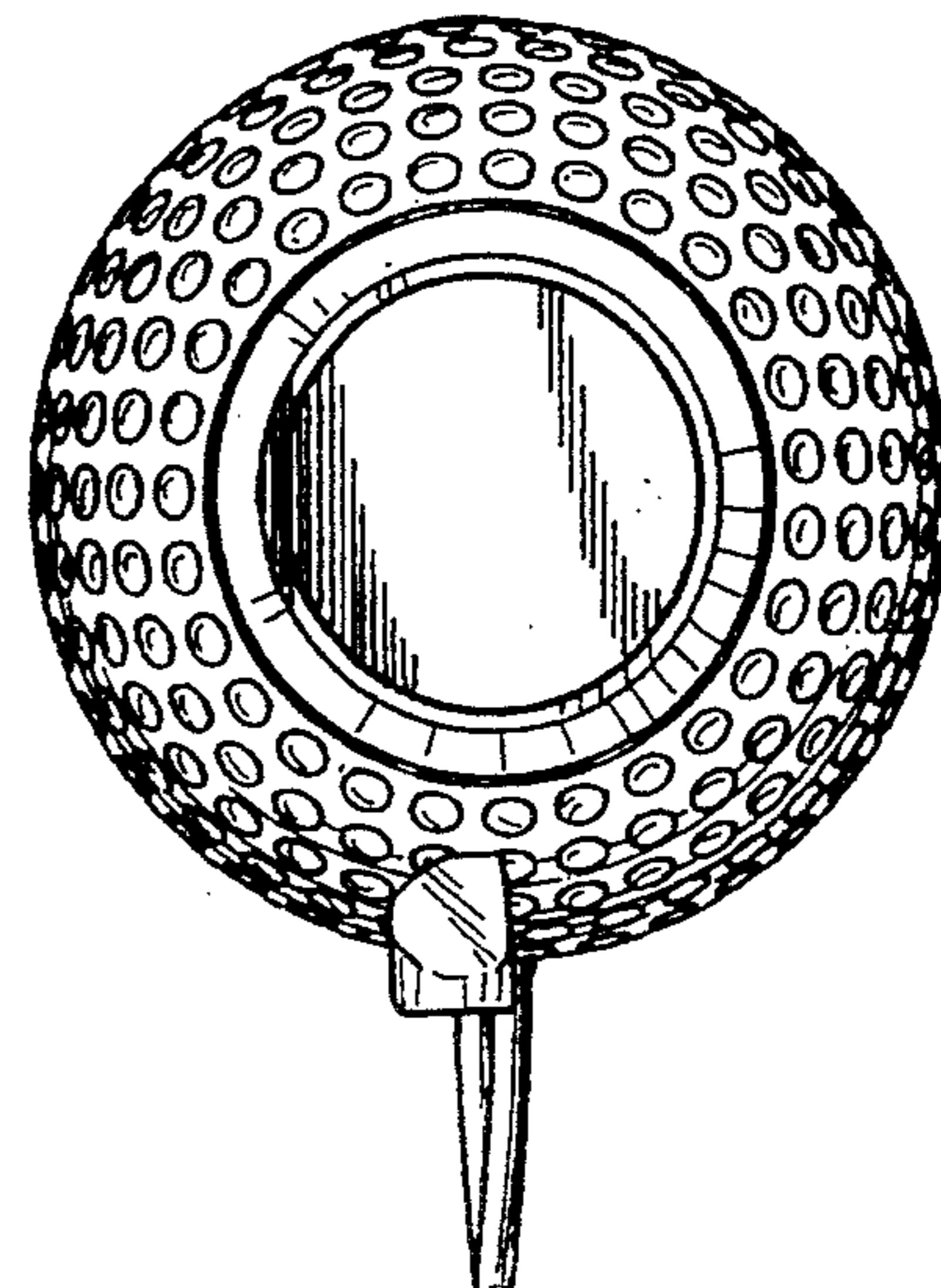


FIGURE 15