



US00D360107S

United States Patent [19]
Segawa

[11] **Patent Number: Des. 360,107**
[45] **Date of Patent: ** Jul. 11, 1995**

[54] **LIGHTER**
[75] **Inventor: Takaaki Segawa, Wakamiya, Japan**
[73] **Assignee: Kabushiki Kaisha Sarome, Tokyo, Japan**
[**] **Term: 14 Years**
[21] **Appl. No.: 24,140**
[22] **Filed: Jun. 9, 1994**
[52] **U.S. Cl. D7/416; D27/141**
[58] **Field of Search D27/101, 102, 103, 139, D27/141, 142, 143, 144, 147, 154, 155, 156, 157; 131/173, 194, 270, 329, 336, 360, 361; 431/125, 129-152, 343; D8/29.1, 29.2, 367, 373; D7/416; 361/260**

2,549,726 4/1951 Van Toil D27/143 X
3,947,731 3/1976 Vainer 361/260

FOREIGN PATENT DOCUMENTS

2355217 5/1975 Germany 361/260

Primary Examiner—Louis S. Zarfes
Assistant Examiner—Monica A. Hannon
Attorney, Agent, or Firm—Sughrue, Mion, Zinn, Macpeak & Seas

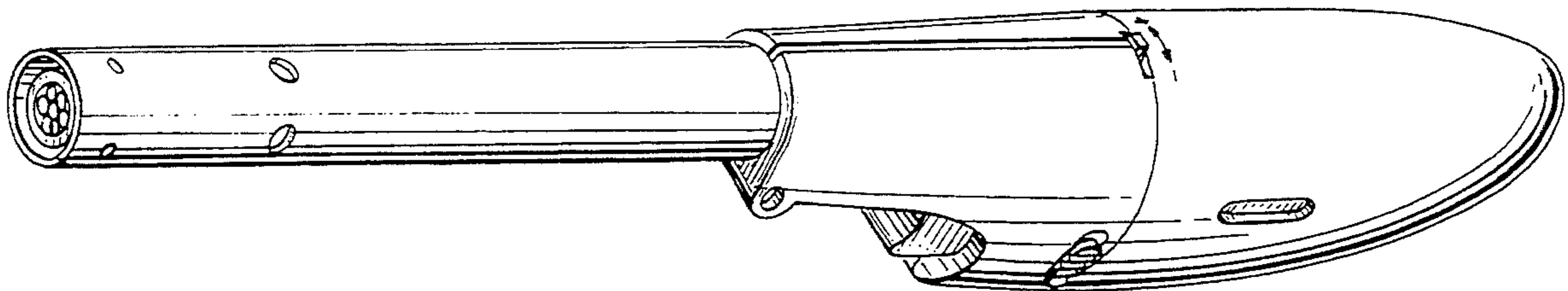
[56] **References Cited**
U.S. PATENT DOCUMENTS

D. 293,603 1/1988 Matsumaru D7/416
D. 327,813 7/1992 Shike et al. D7/416

[57] **CLAIM**
The ornamental design for a lighter, as shown.

DESCRIPTION

FIG. 1 is a perspective view showing the top, front and left end of a lighter showing my new design;
FIG. 2 is a top plan view thereof;
FIG. 3 is a front elevational view thereof;
FIG. 4 is a bottom plan view thereof;
FIG. 5 is a rear elevational view thereof;
FIG. 6 is a right end elevational view thereof; and,
FIG. 7 is a left end elevational view thereof.



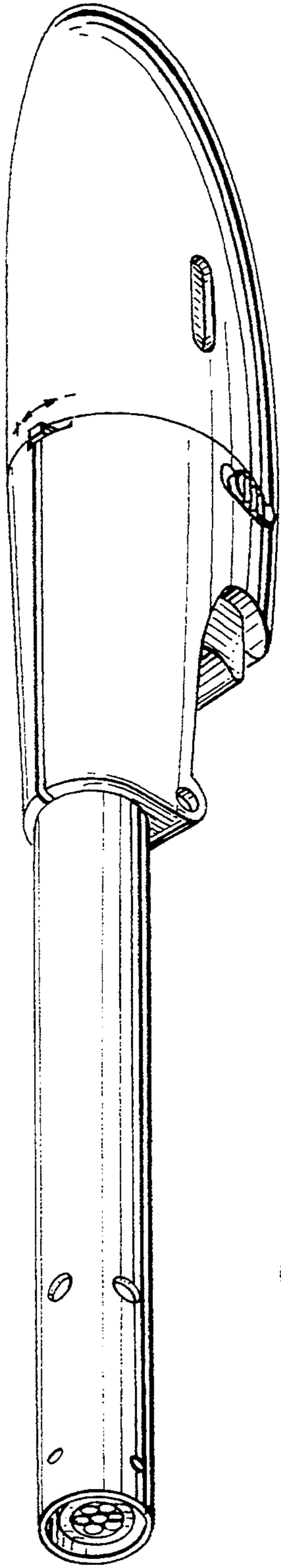
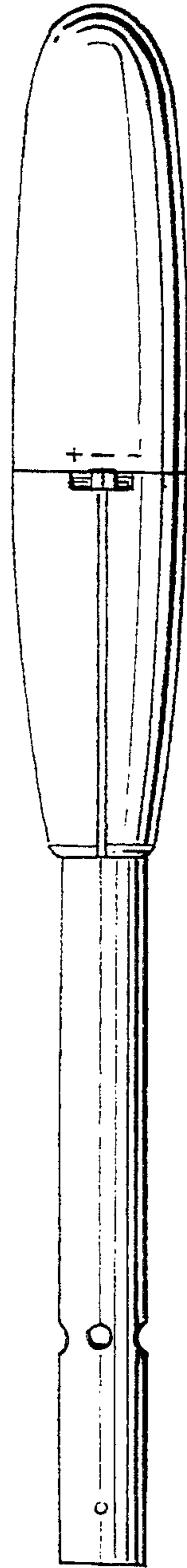


FIG. 1

FIG. 2



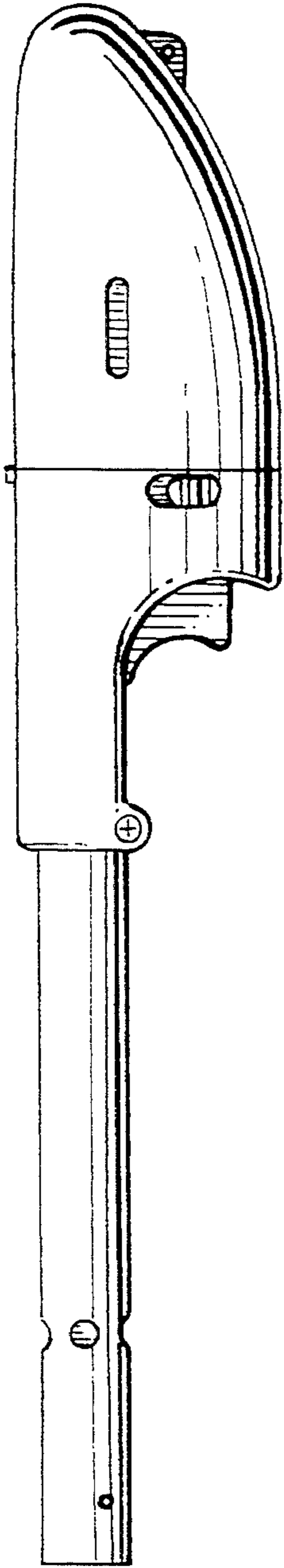


FIG. 3

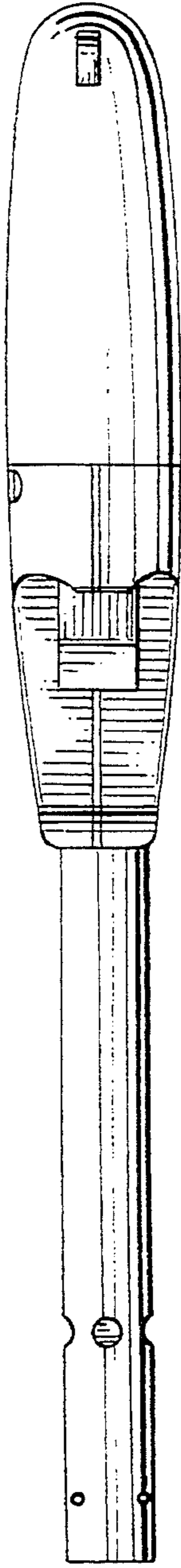


FIG. 4

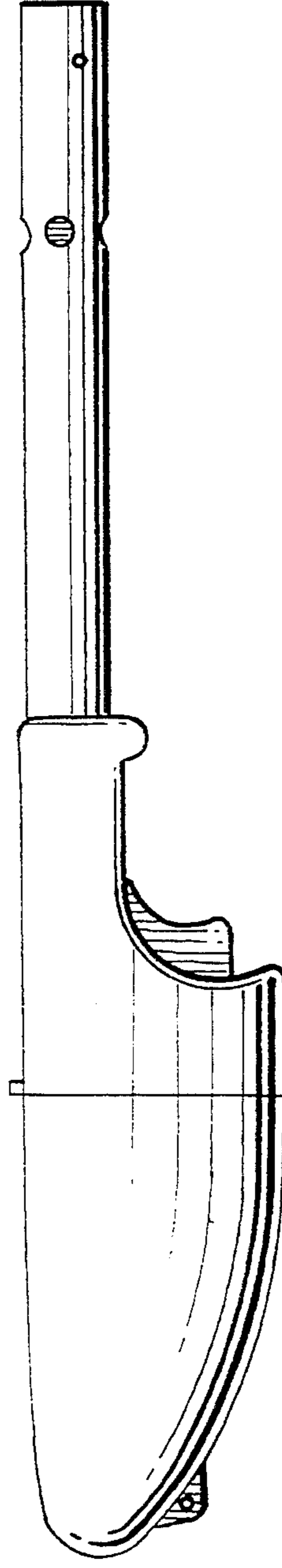


FIG. 5

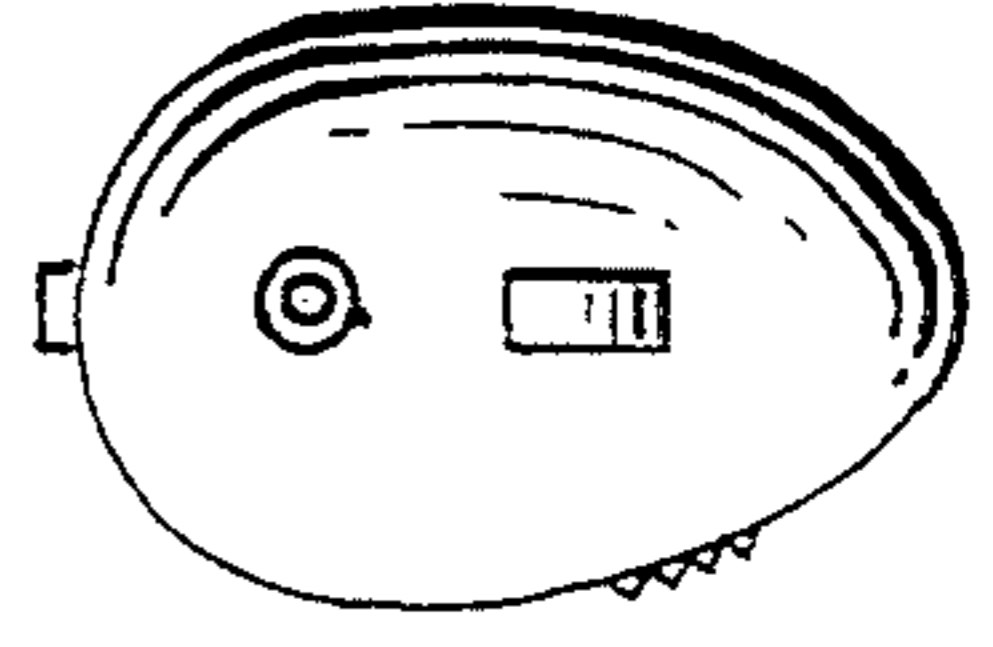


FIG. 6

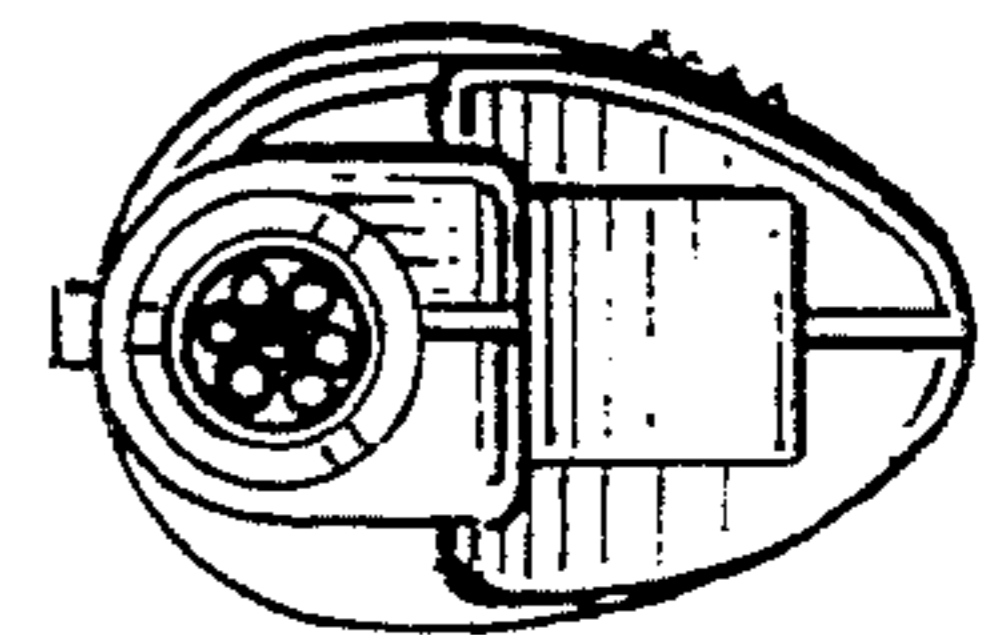


FIG. 7