



US00D360103S

# United States Patent [19]

[11] Patent Number: **Des. 360,103**

**Kim**

[45] Date of Patent: **\*\* Jul. 11, 1995**

[54] **MICROWAVE OVEN**

D. 304,662	11/1989	Yoo	.....	D7/351
D. 304,800	11/1989	Yoo	.....	D7/351
D. 334,109	3/1993	Kim	.....	D7/351

[75] Inventor: **Byung S. Kim**, Seoul, Rep. of Korea

[73] Assignee: **Goldstar Co., Ltd.**, Rep. of Korea

[\*\*] Term: **14 Years**

*Primary Examiner*—Ruth McInroy  
*Attorney, Agent, or Firm*—Denton L. Anderson;  
Sheldon & Mak, Inc.

[21] Appl. No.: **16,510**

### [57] CLAIM

[22] Filed: **Dec. 20, 1993**

The ornamental design for a microwave oven, as shown.

[52] U.S. Cl. .... **D7/351**

[58] Field of Search ..... **D7/347-351;**  
219/10.55 R, 10.55 A; 126/273 R, 273 A, 274,  
275 R, 275 E, 19 R, 19 M, 20

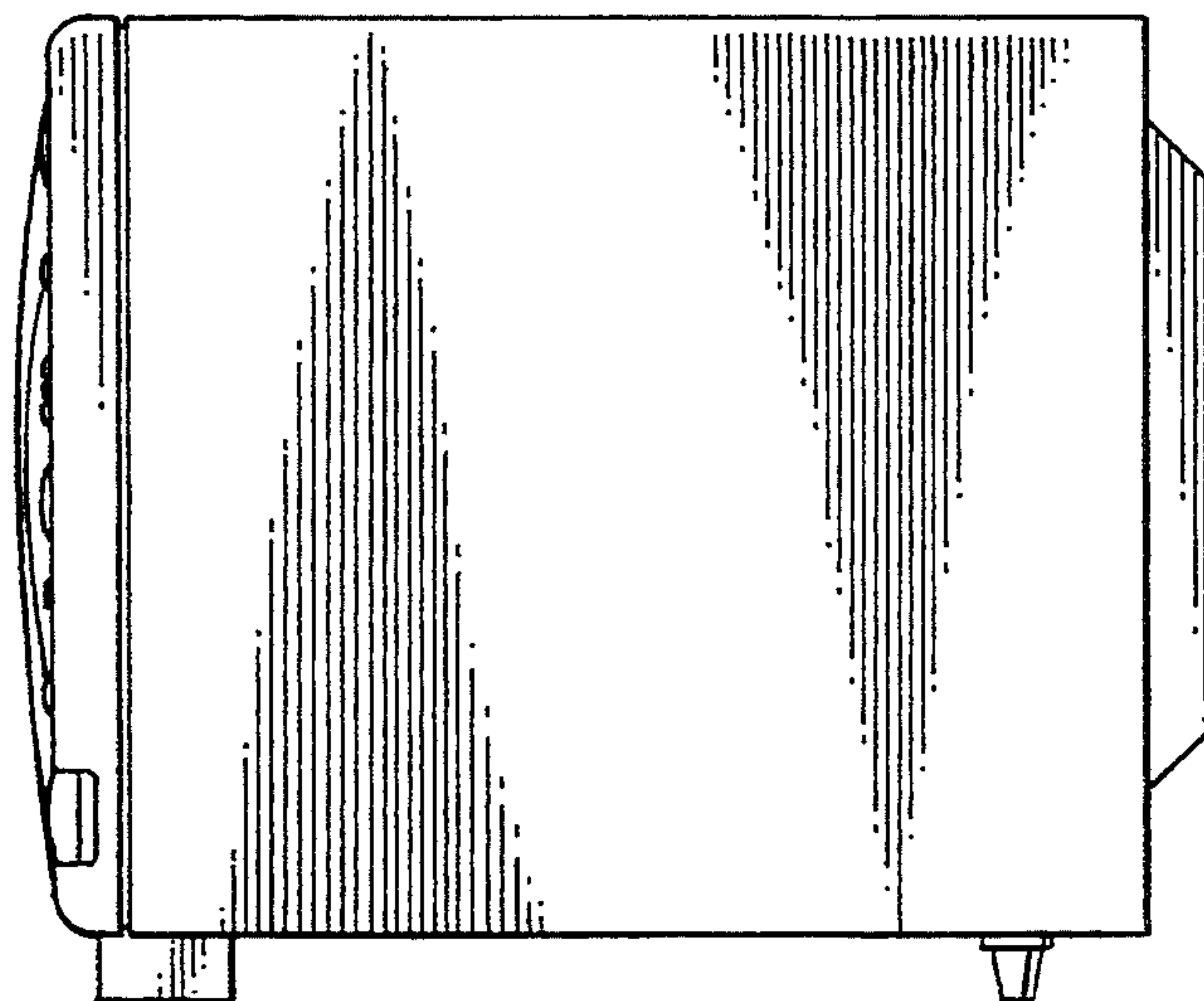
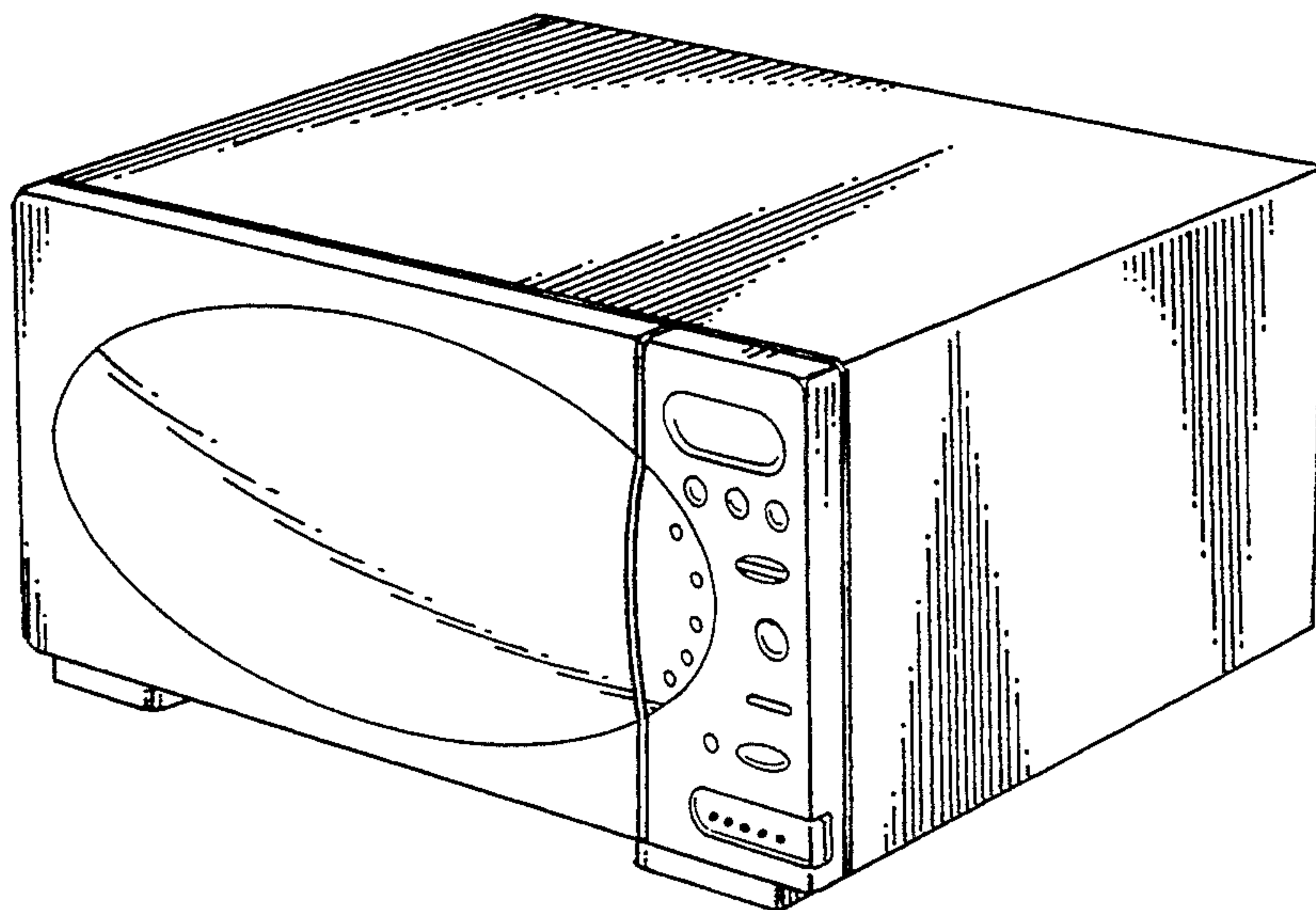
### DESCRIPTION

FIG. 1 is a top, front and right side perspective view;  
FIG. 2 is a top elevational view thereof;  
FIG. 3 is a front plan view thereof;  
FIG. 4 is a bottom elevational view thereof;  
FIG. 5 is a back plan view thereof;  
FIG. 6 is a right side view thereof; and,  
FIG. 7 is a left side view thereof.

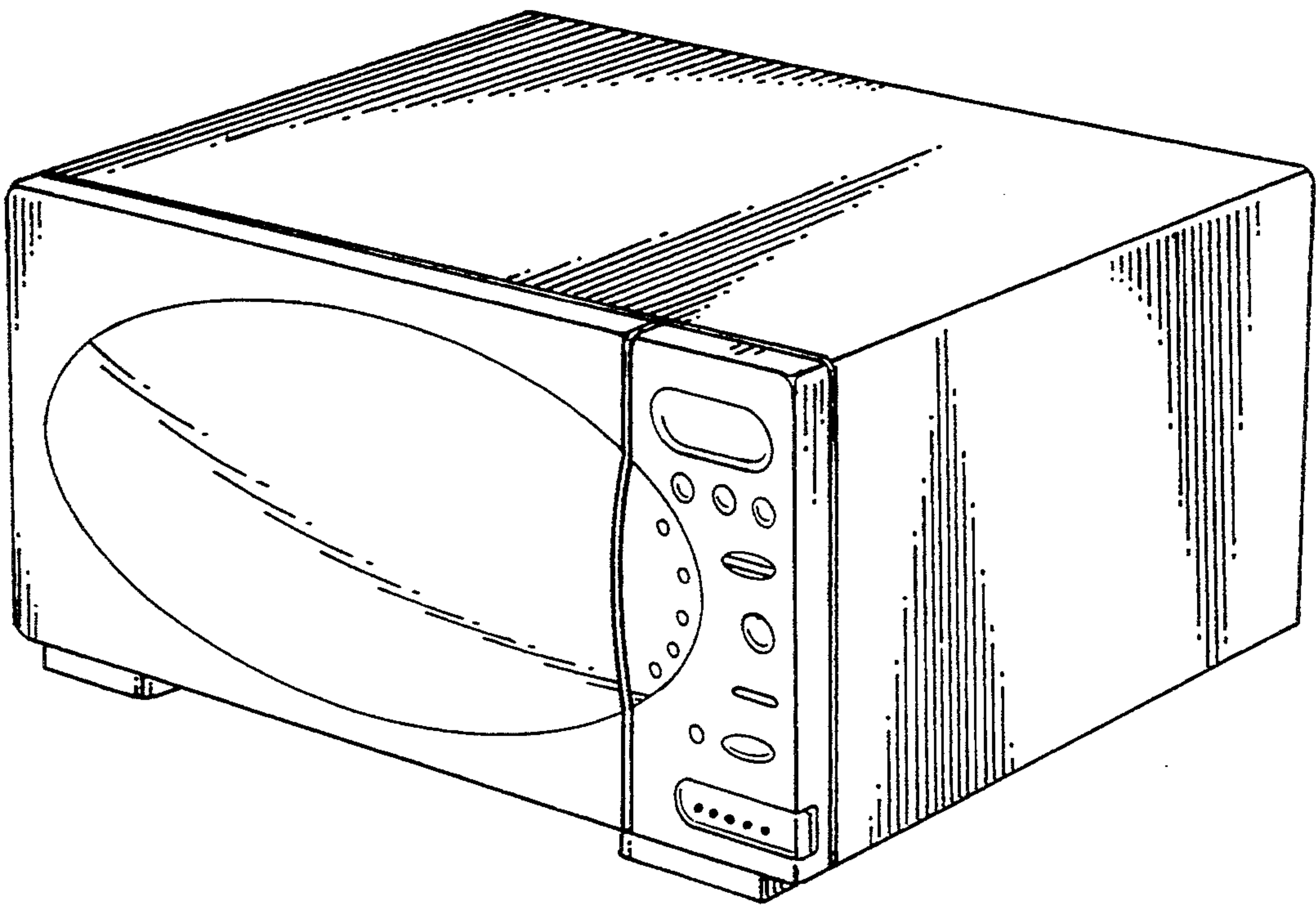
### [56] References Cited

#### U.S. PATENT DOCUMENTS

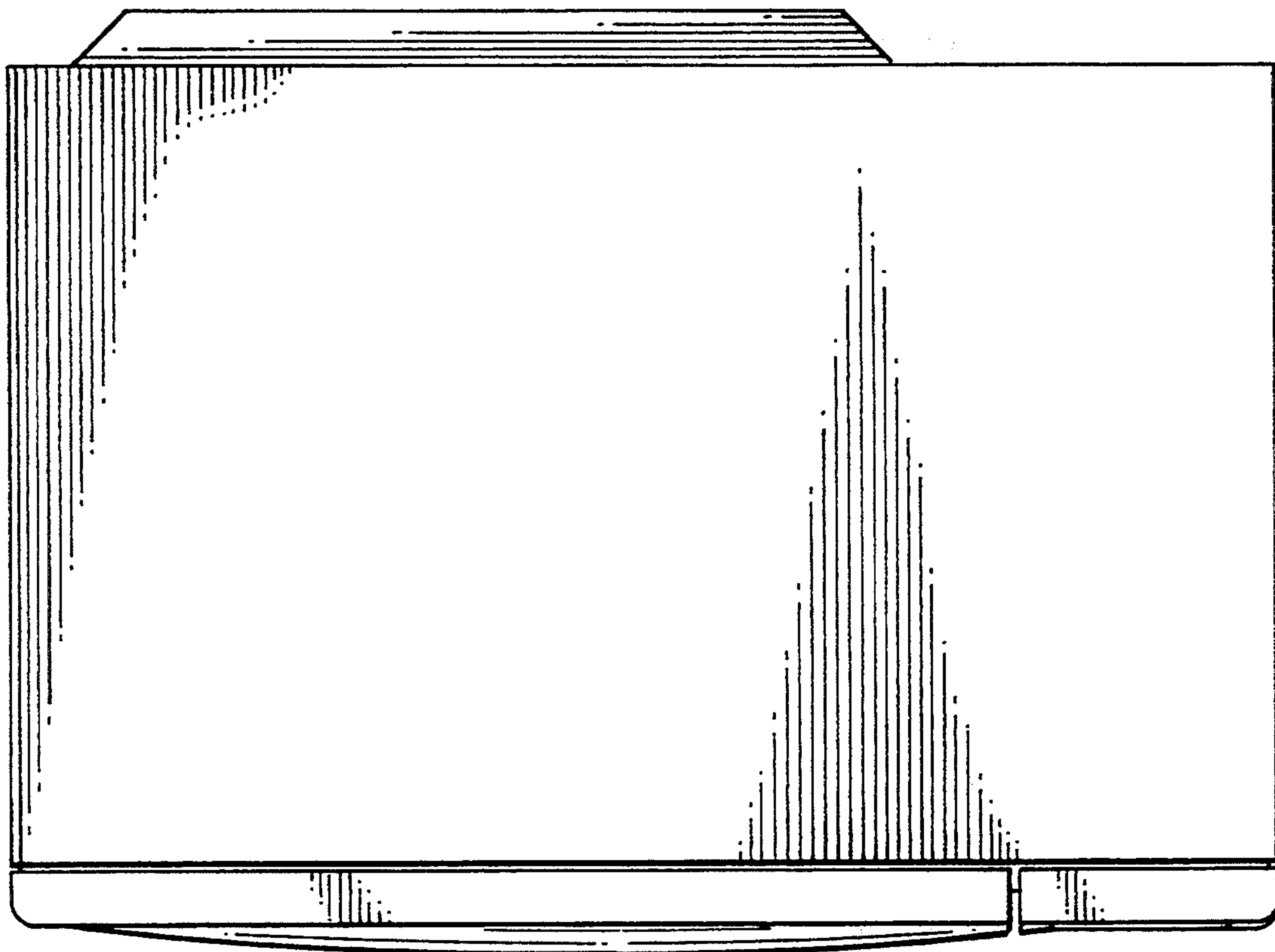
D. 294,104	2/1988	Fujimoto et al.	.....	D7/350
D. 294,106	2/1988	Murata et al.	.....	D7/350



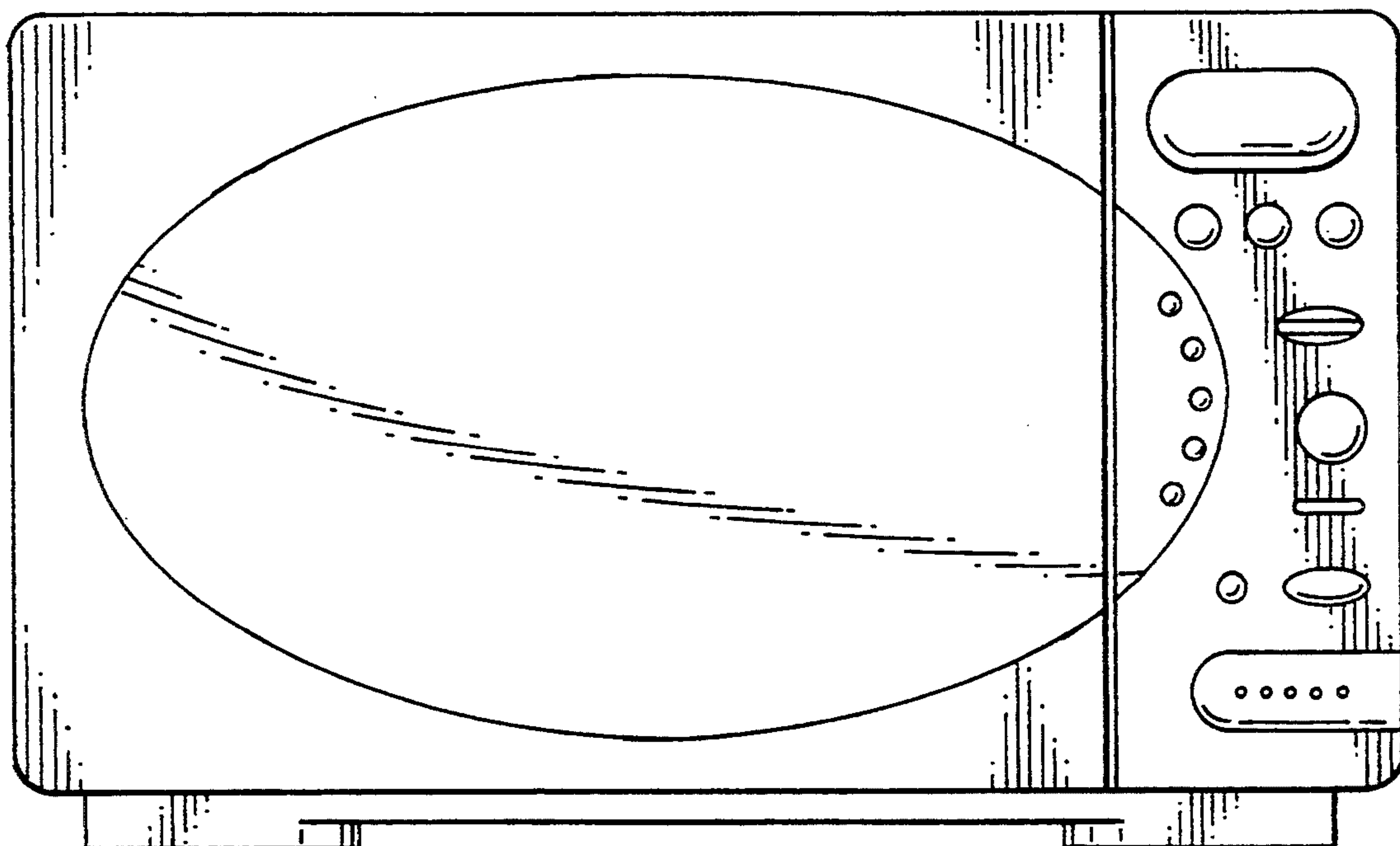
*FIG. 1.*



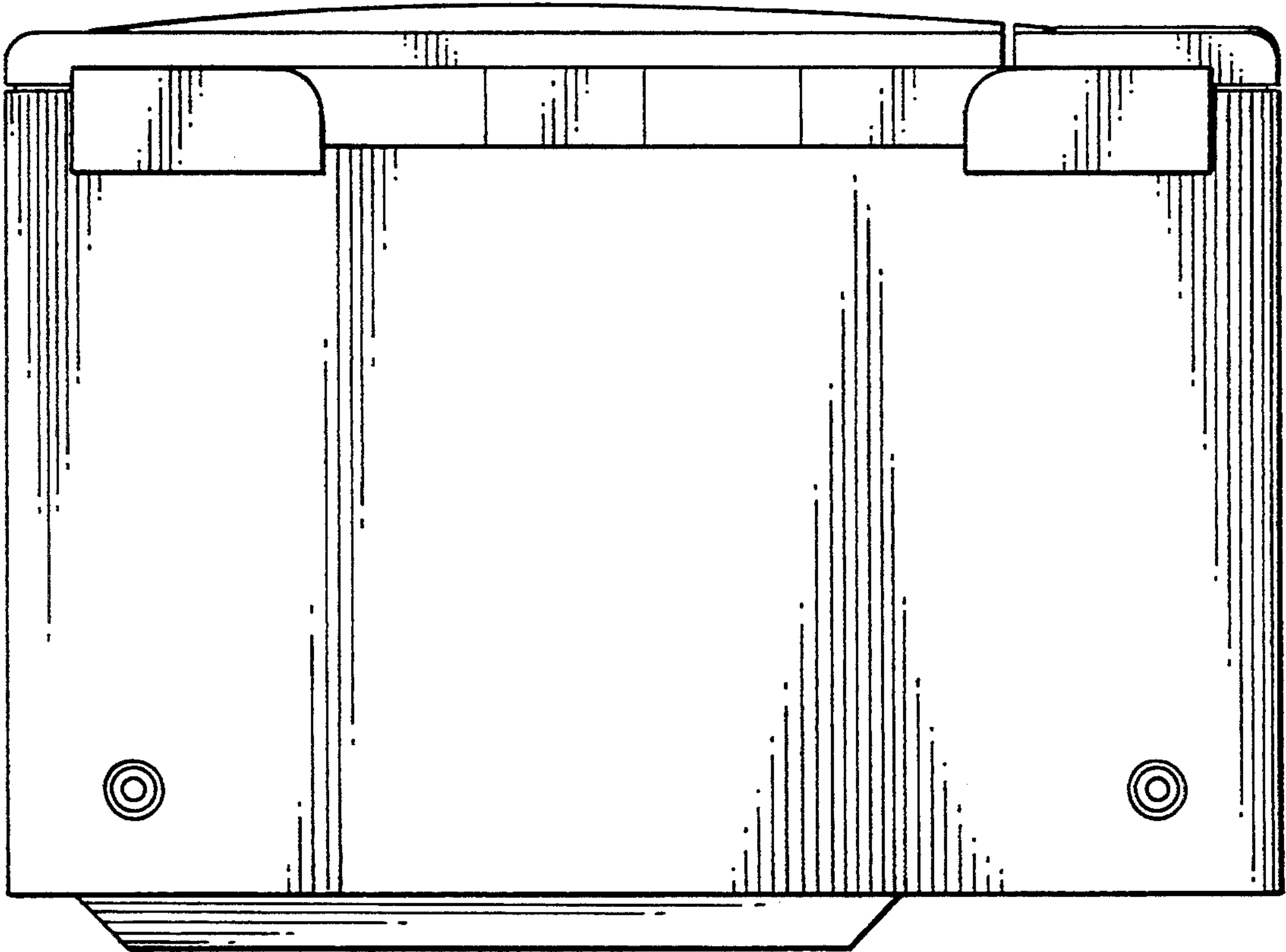
*FIG. 2.*



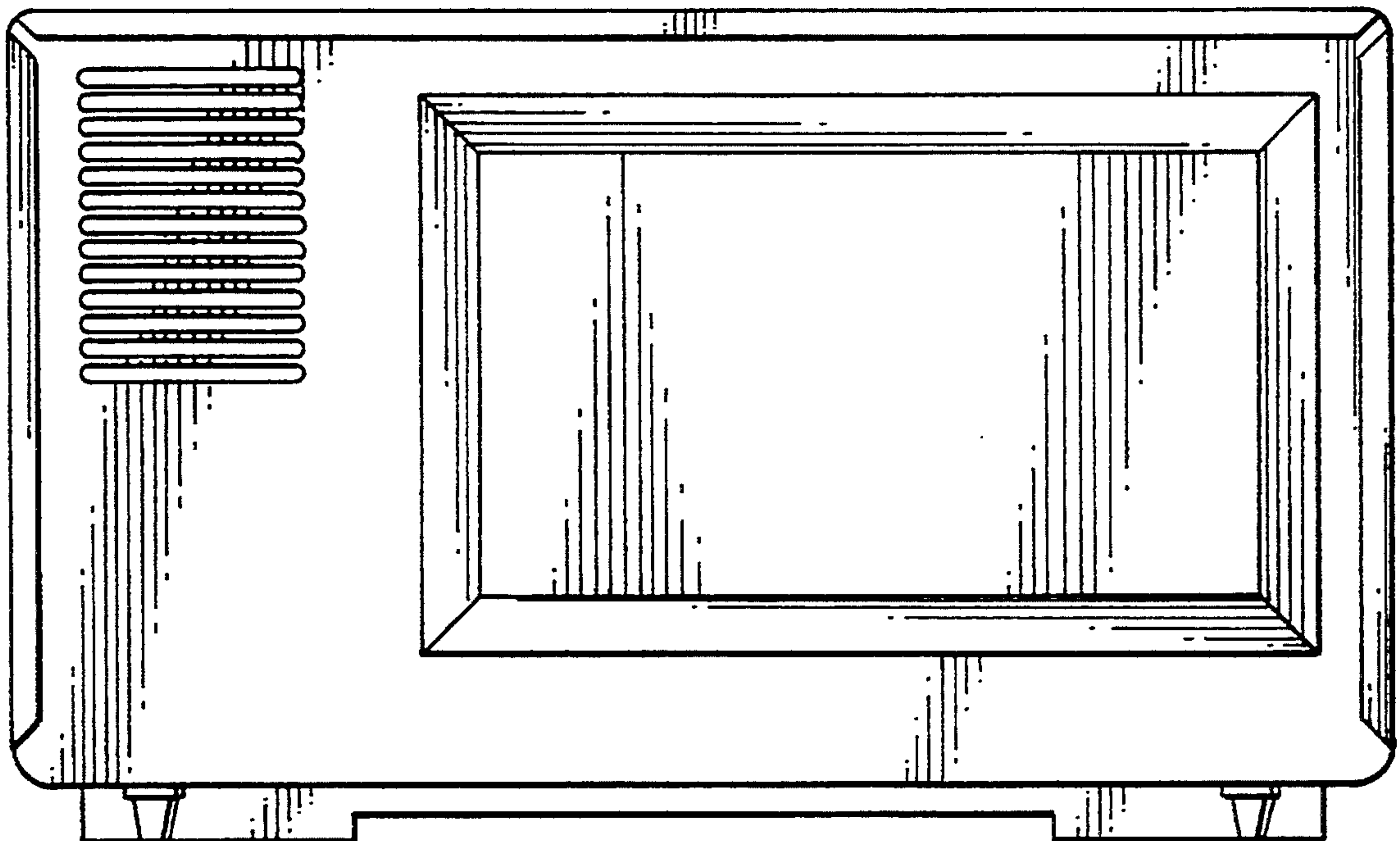
*FIG. 3.*



*Fig. 4.*

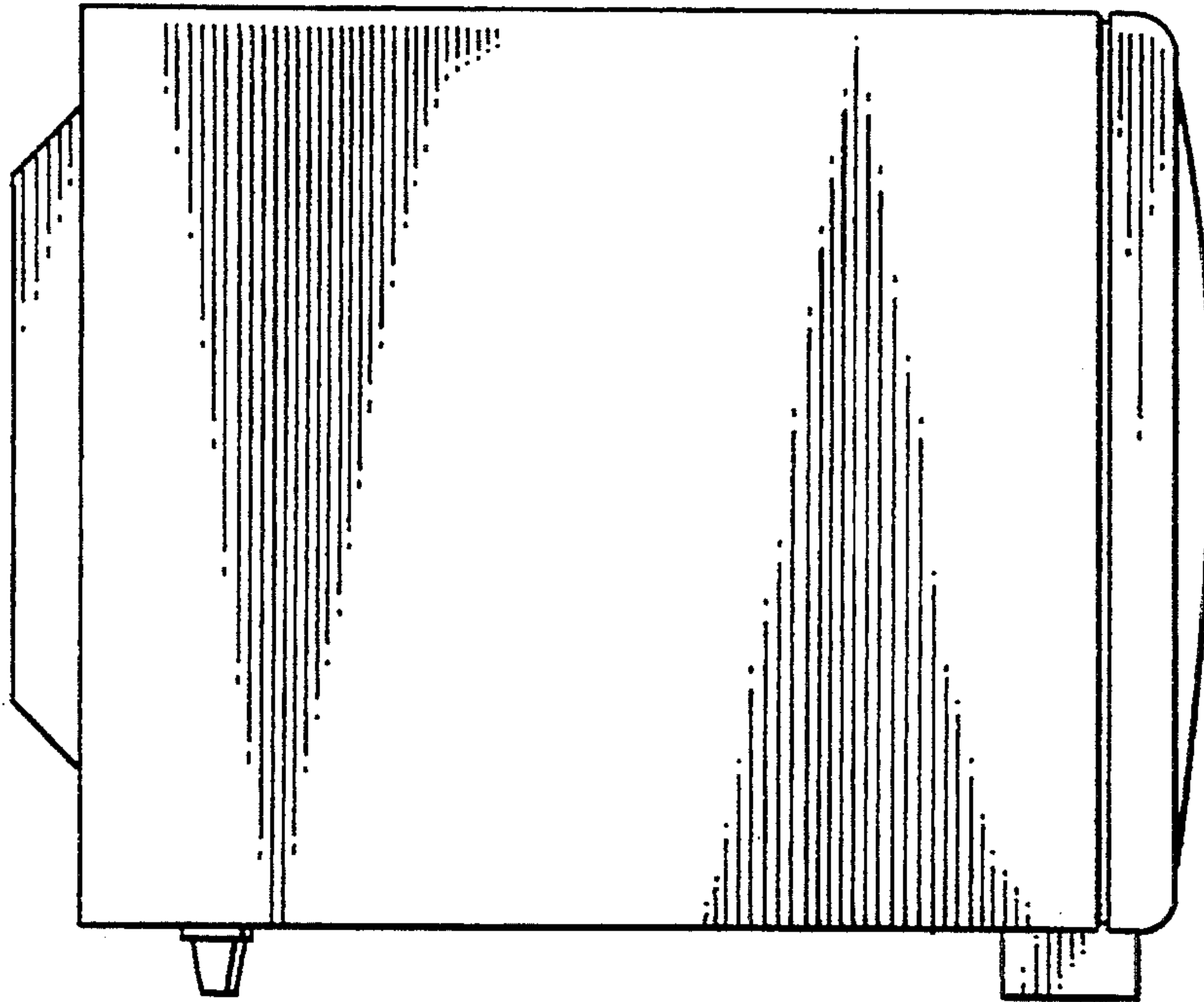


*Fig. 5.*





*FIG. 6.*



*FIG. 7.*

