



US00D360101S

United States Patent [19]

Lee

[11] Patent Number: **Des. 360,101**

[45] Date of Patent: **** Jul. 11, 1995**

[54] **KETTLE**

[75] Inventor: **Chen-Kun Lee**, Taichung Hsien, Taiwan

[73] Assignee: **Tou Tien Metal (Taiwan) Co., Ltd.**, Taichung Hsiang, Taiwan

[**] Term: **14 Years**

[21] Appl. No.: **18,491**

[22] Filed: **Feb. 8, 1994**

[52] U.S. Cl. **D7/322; D7/321**

[58] Field of Search **D7/300, 312, 316, 317, D7/318, 319, 321, 322, 608; 222/465.1, 475.1; 366/314, 205**

[56] **References Cited**

U.S. PATENT DOCUMENTS

- D. 175,856 10/1955 Rowan D7/319
- D. 221,062 7/1971 Huthsing, Jr. D7/312 X
- D. 276,120 10/1984 Soloman D7/312
- D. 287,984 1/1987 Thomson et al. D7/312 X
- D. 288,518 3/1987 Lebowitz D7/322 Z
- D. 288,890 3/1987 Lebowitz D7/322
- D. 296,068 6/1988 Yano D7/322
- D. 302,093 7/1989 Palsby D7/317
- D. 308,315 6/1990 Ancona et al. D7/312
- D. 308,797 6/1990 Ancona et al. D7/322
- D. 311,110 10/1990 Hess D7/321 X

- D. 322,734 12/1991 Soloman D7/312 X
- D. 336,006 6/1993 Lebowitz D7/312 X
- 1,388,958 8/1921 La Fond 222/465.1
- 3,591,060 7/1971 Nakamura D7/312

FOREIGN PATENT DOCUMENTS

- 49303 3/1993 Japan 222/475.1

OTHER PUBLICATIONS

Whistling Tea Kettle, The Enterprise Aluminum Company, HFR 1938.

Tea Pot, HFD, p. 70 Feb. 8, 1988.

Primary Examiner—Alan P. Douglas

Assistant Examiner—M. N. Pandozzi

Attorney, Agent, or Firm—Rogers, Howell & Haferkamp

[57] **CLAIM**

The ornamental design for a kettle, as shown and described.

DESCRIPTION

FIG. 1 is a front-right-top perspective view of a kettle, showing my new design;

FIG. 2 is a front elevational view thereof;

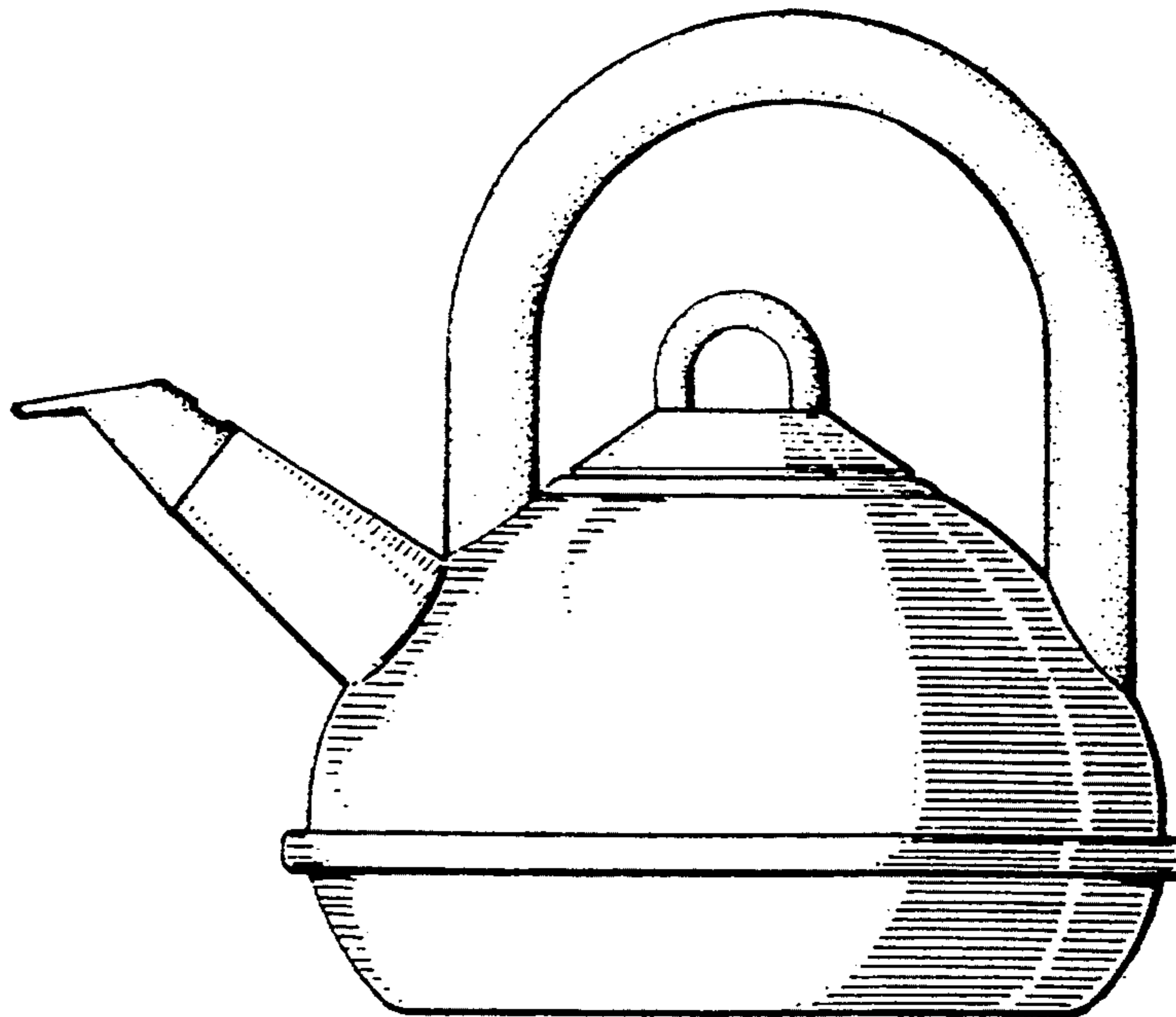
FIG. 3 is a rear elevational view thereof;

FIG. 4 is a left side elevational view thereof;

FIG. 5 is a right side elevational view thereof;

FIG. 6 is a top plan view thereof; and,

FIG. 7 is a bottom plan view thereof.



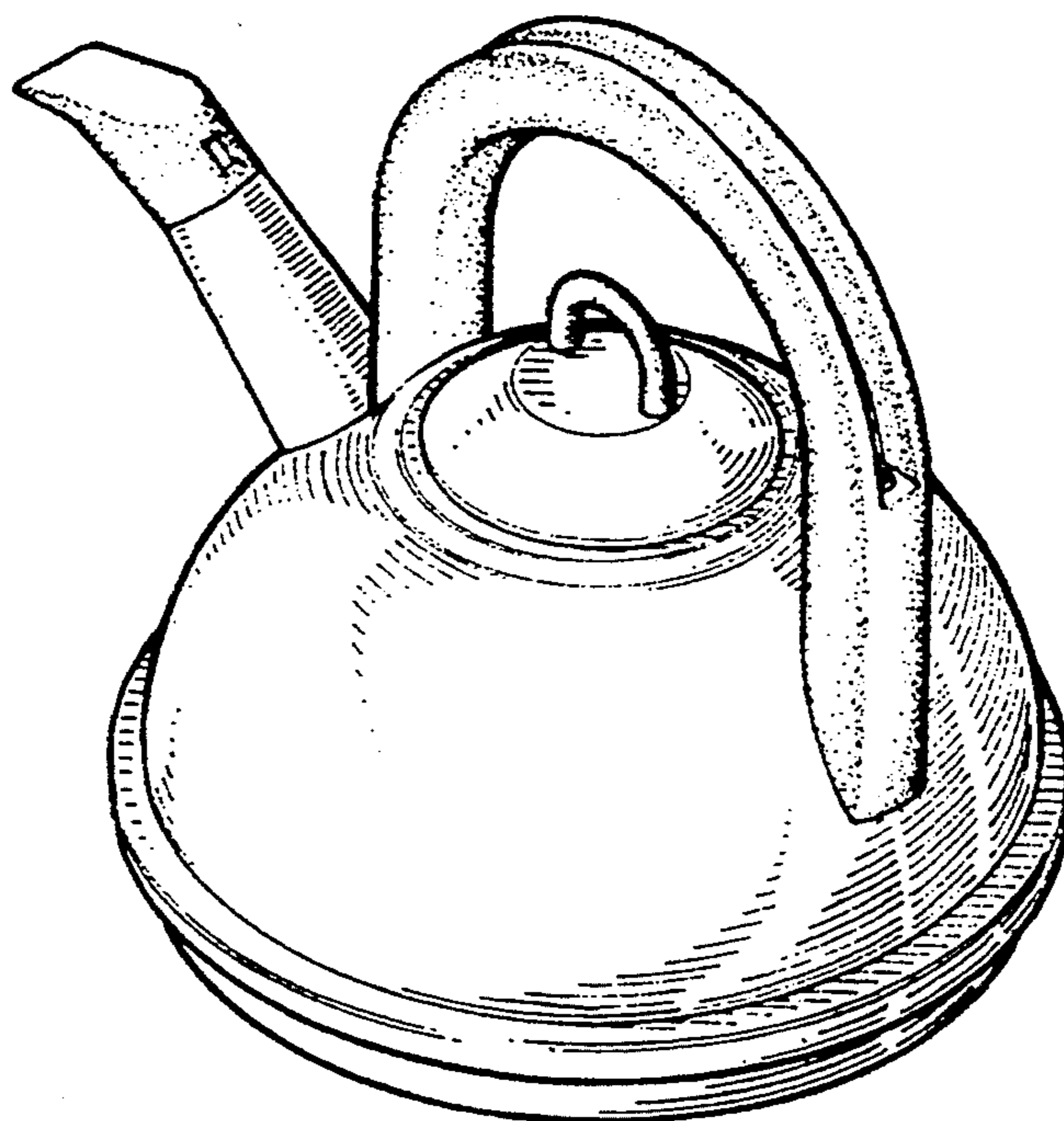


FIG. 1

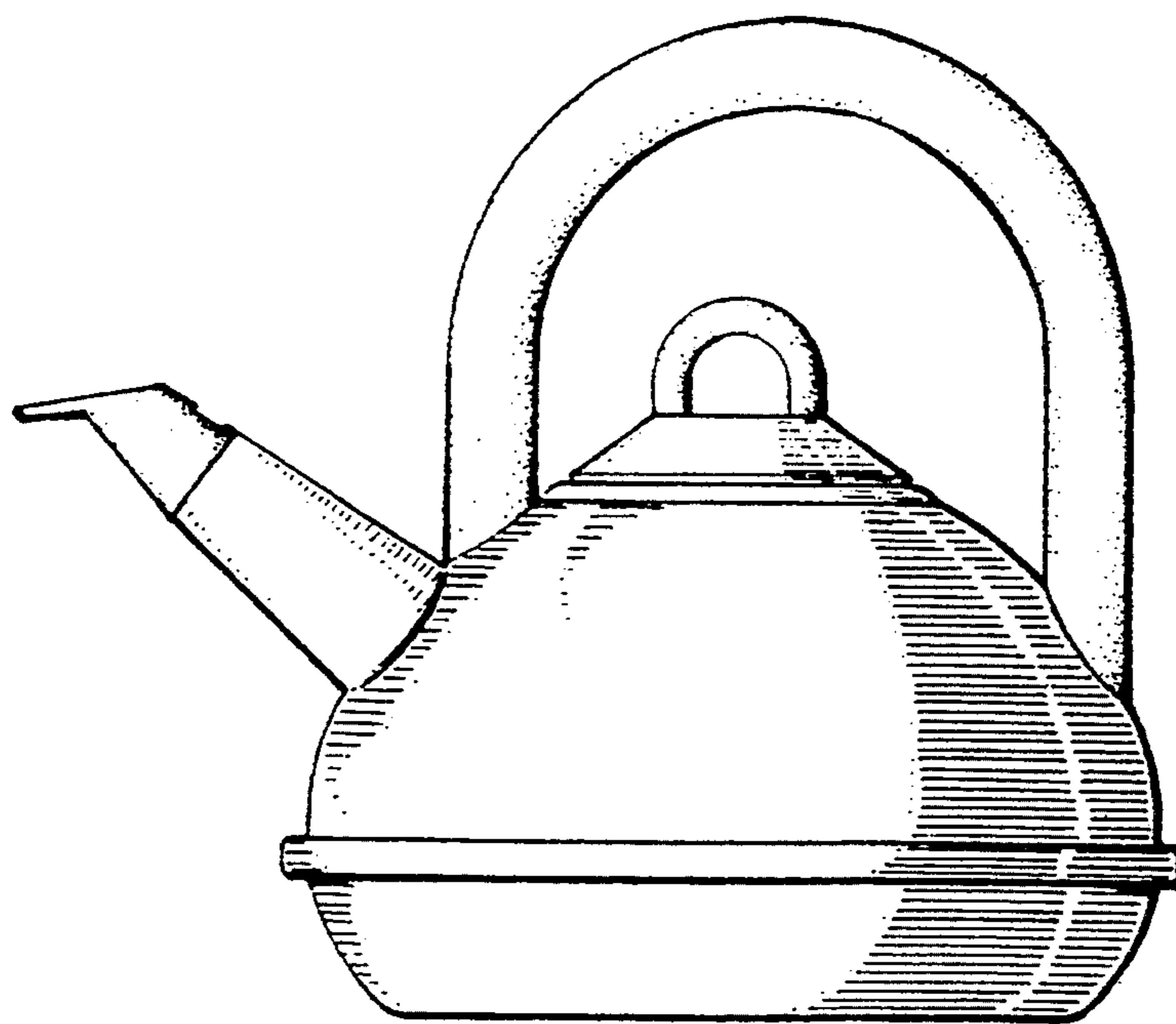


FIG. 2

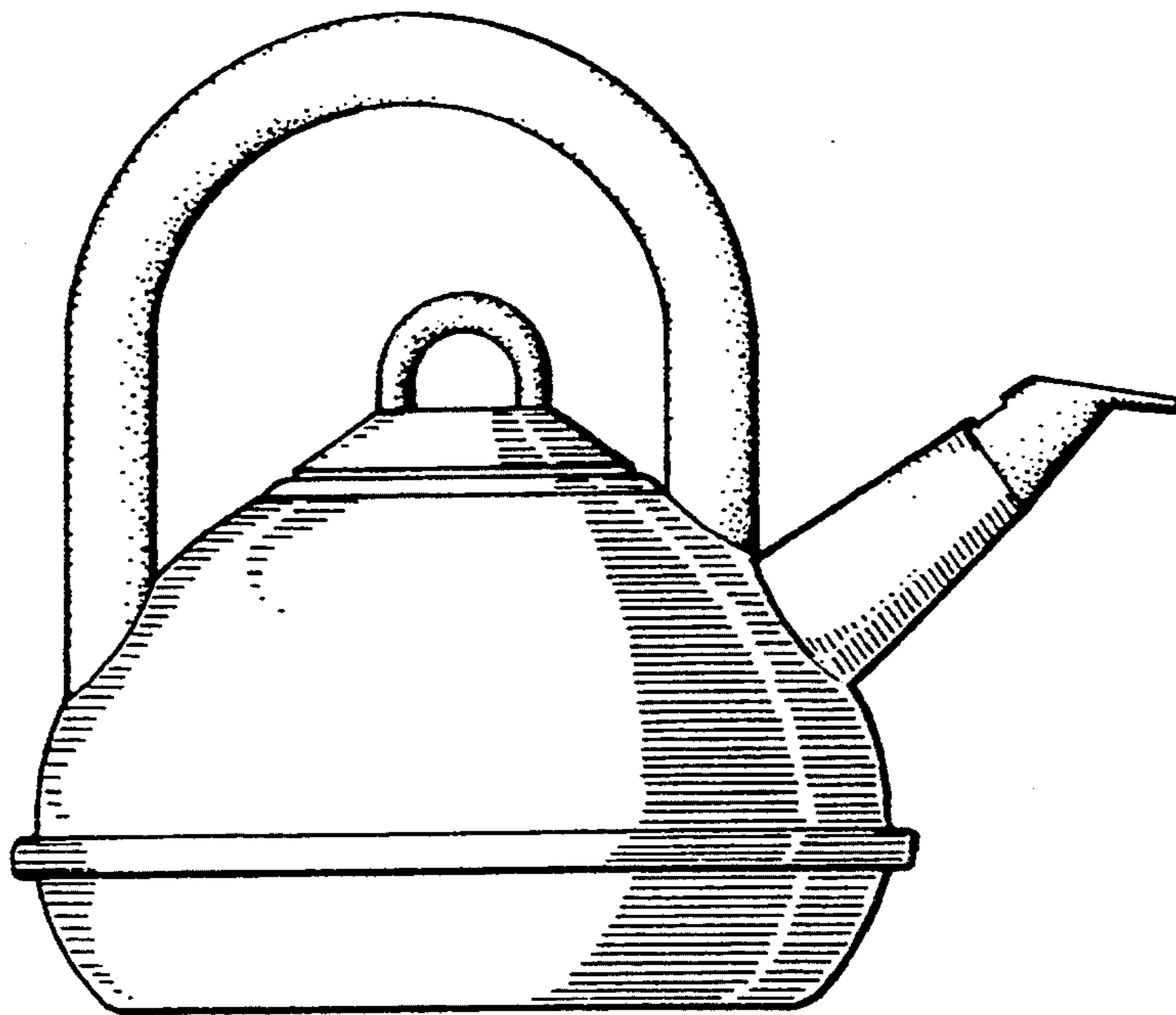


FIG. 3

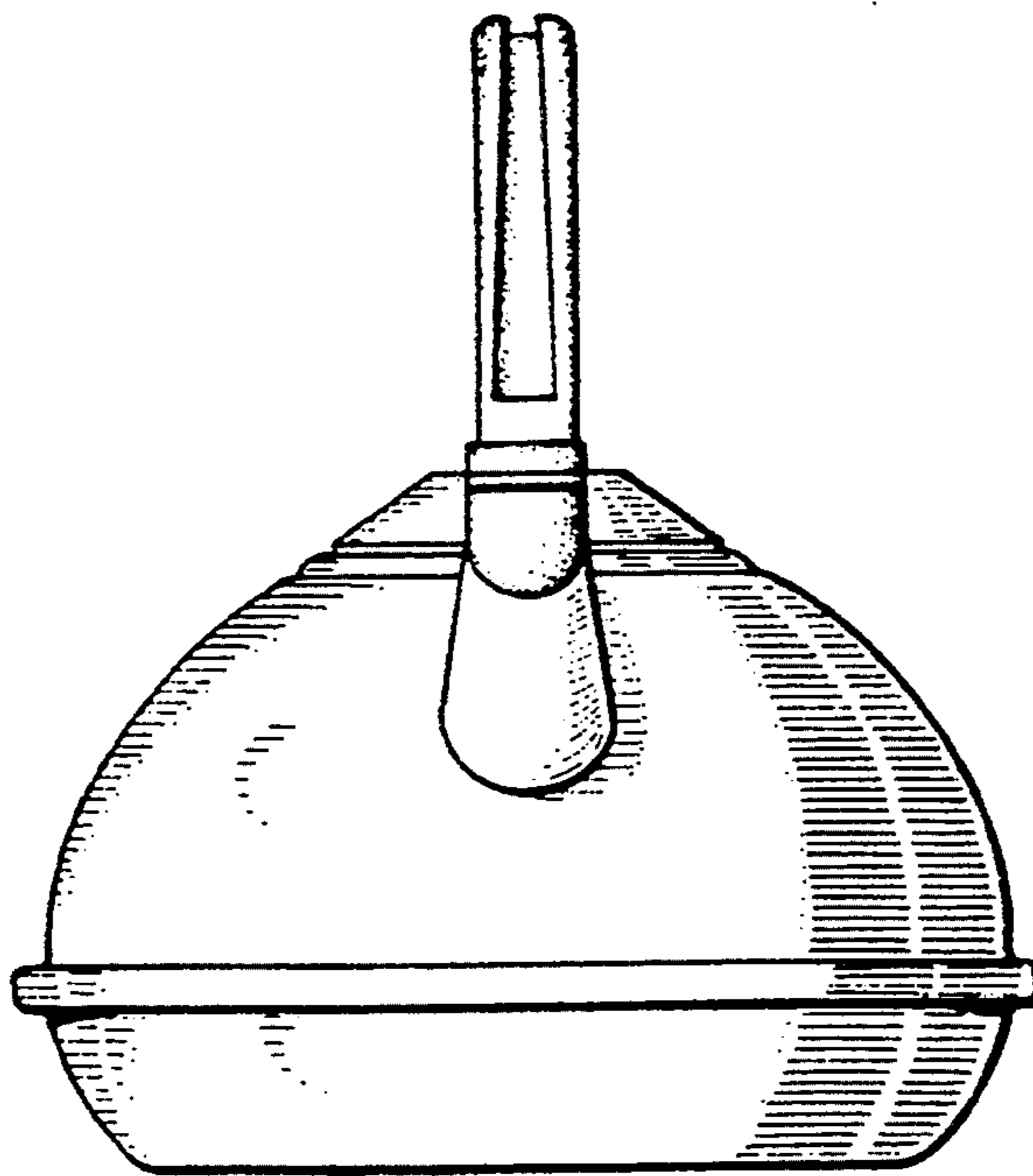


FIG. 4

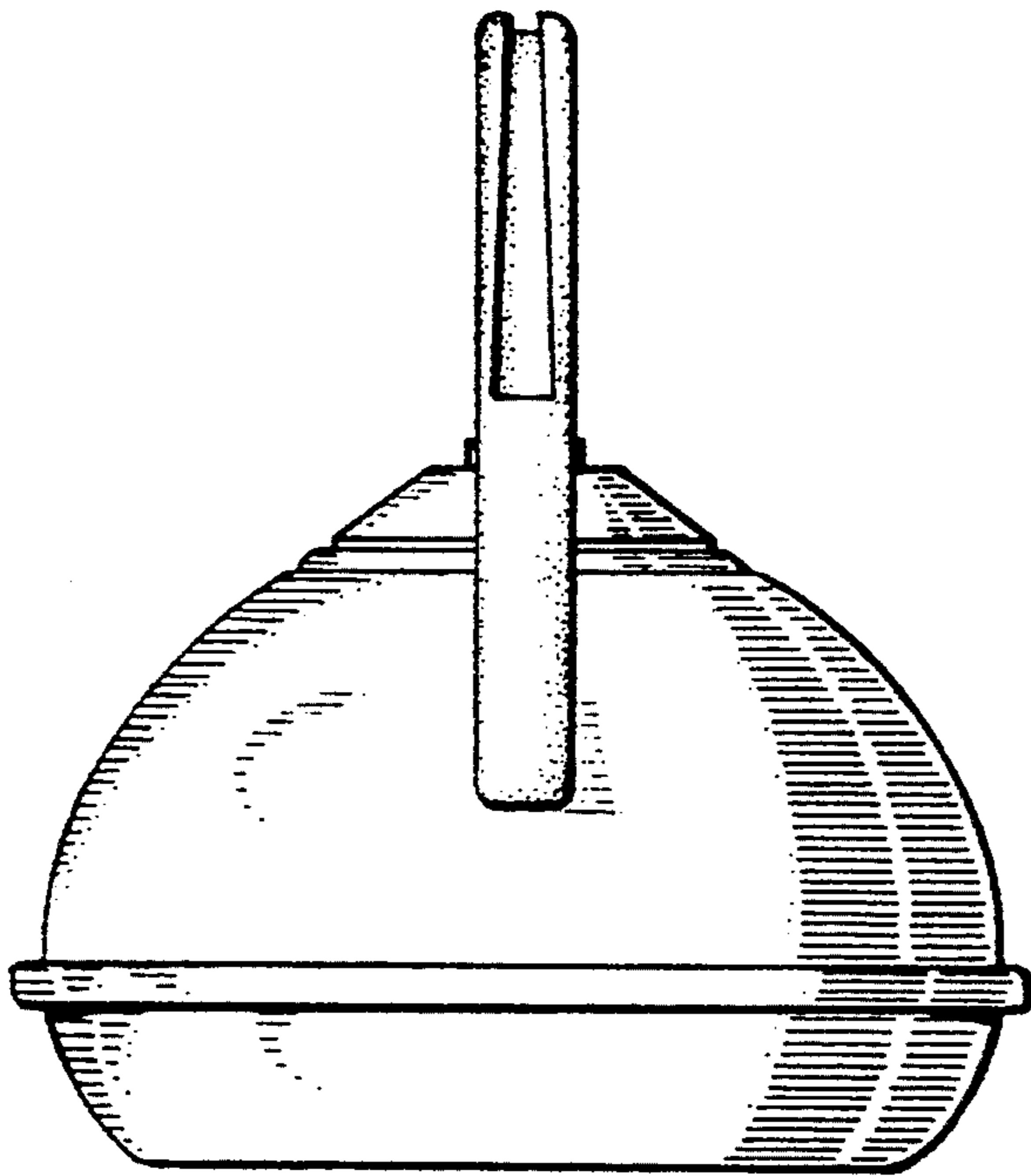


FIG. 5

FIG. 6

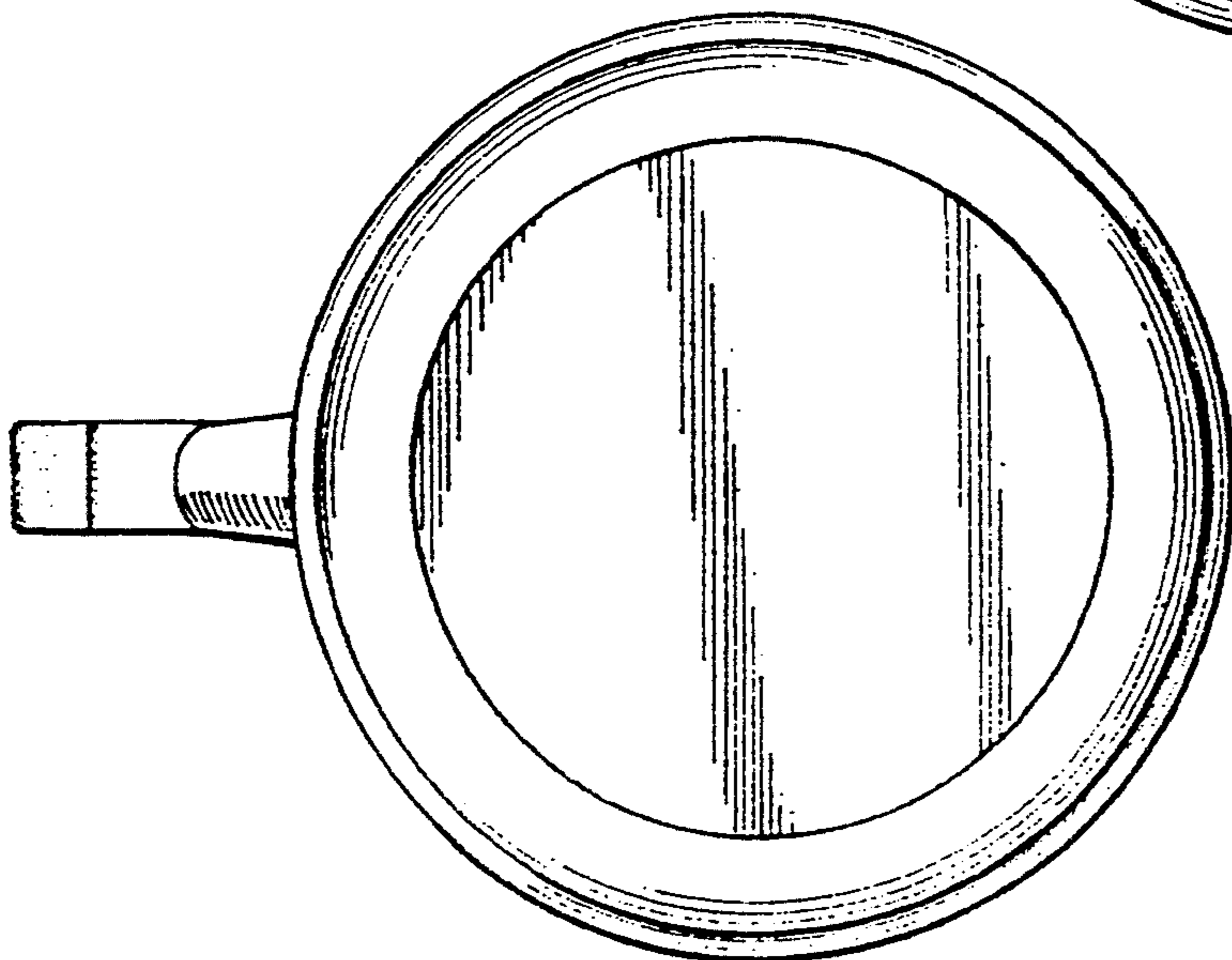
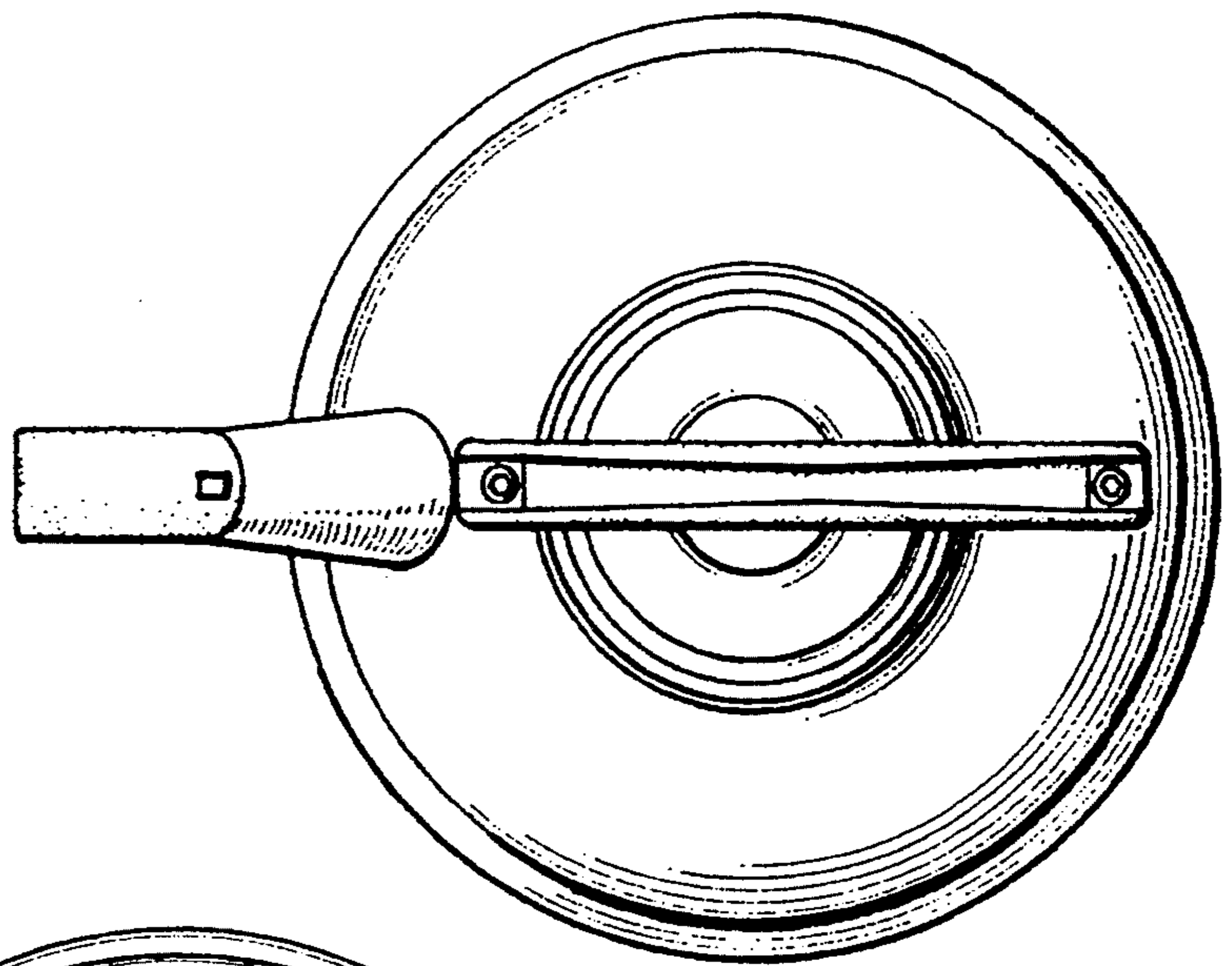


FIG. 7