



US00D360100S

# United States Patent [19]

[11] Patent Number: **Des. 360,100**

Van Den Berghe

[45] Date of Patent: **\*\* Jul. 11, 1995**

[54] **WATER CONTAINER FOR DRINKING WATER DISPENSER**

621,188	3/1899	Warner	.....	D7/505 X
664,803	12/1900	Wuichet	.....	D7/398 X
3,865,276	2/1975	Thompson	.....	D7/306 X
5,003,790	4/1991	Goupil	.....	62/389

[76] Inventor: **Albert Van Den Berghe**, 5313 Monterey Rd., Los Angeles, Calif. 90042

[\*\*] Term: **14 Years**

[21] Appl. No.: **18,887**

[22] Filed: **Feb. 17, 1994**

[52] U.S. Cl. .... **D7/306; D7/308; D7/312; D7/558**

[58] **Field of Search** ..... D7/300, 305, 306, 307, D7/308, 309, 310, 311, 312, 398, 397, 509, 523, 524, 505, 543, 558, 507; 99/280; 62/389; 222/185; D9/519, 524

[56] **References Cited**

### U.S. PATENT DOCUMENTS

D. 46,894	2/1915	Boeck	.....	D7/306
D. 110,902	8/1938	Loesch	.....	D7/558
D. 211,073	5/1968	Christine et al.	.....	D7/308
D. 225,618	12/1972	Cantin	.....	D9/524
D. 308,794	6/1996	Larson	.....	D7/306 X

### OTHER PUBLICATIONS

Supreme Bowl 16 oz #692, Restaurant Equipment Dealer Apr. 1960 p. 5.

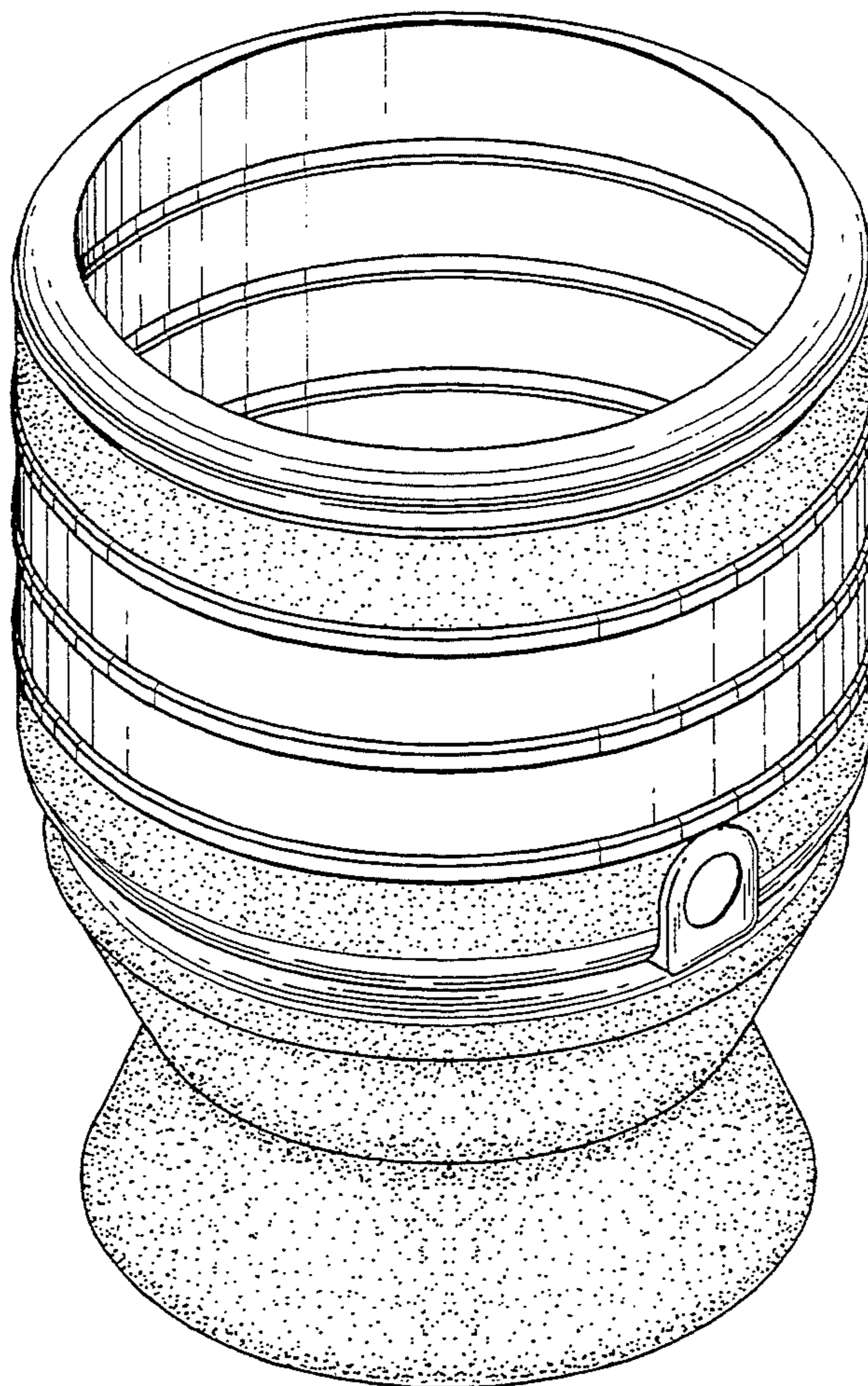
*Primary Examiner*—Alan P. Douglas  
*Assistant Examiner*—M. N. Pandozzi  
*Attorney, Agent, or Firm*—Edgar W. Averill, Jr.

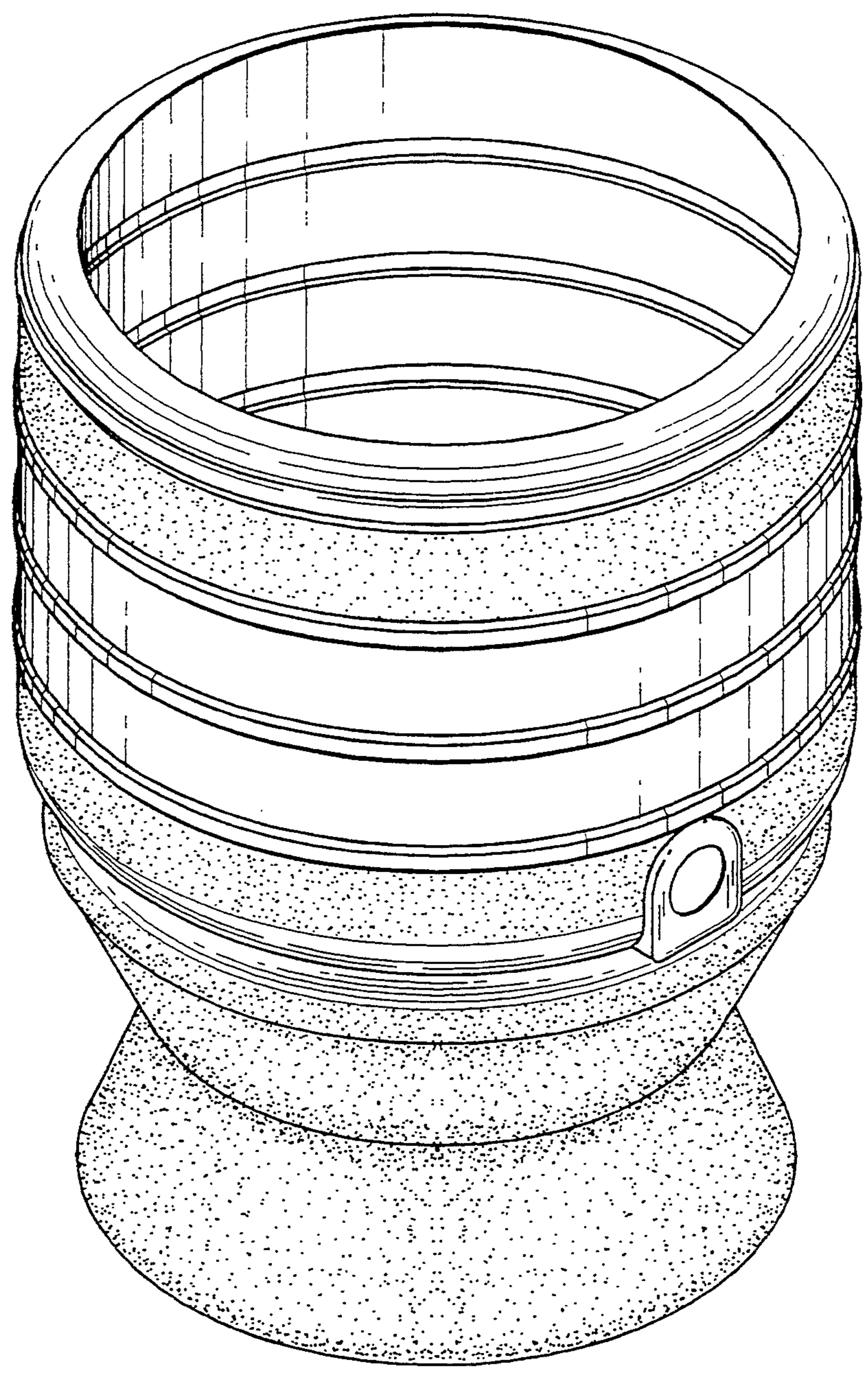
### [57] CLAIM

The ornamental design for a water container for drinking water dispenser, as shown.

### DESCRIPTION

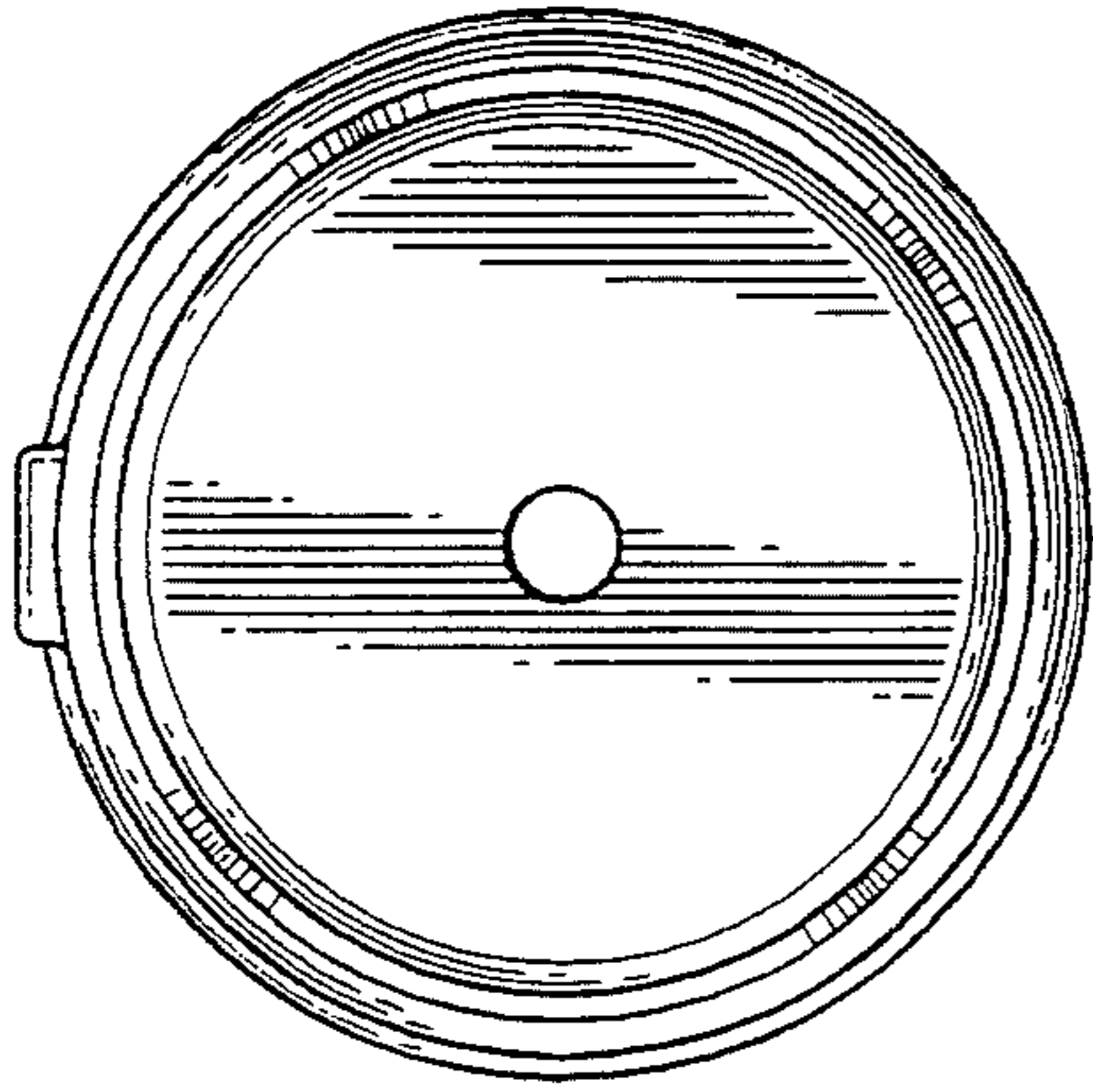
FIG. 1 is a perspective view showing a front and top of the water container for a drinking water dispenser of my present invention;  
FIG. 2 is a top view thereof;  
FIG. 3 is a bottom view thereof;  
FIG. 4 is a front view thereof;  
FIG. 5 is a left side view thereof; and,  
FIG. 6 is a rear view thereof.



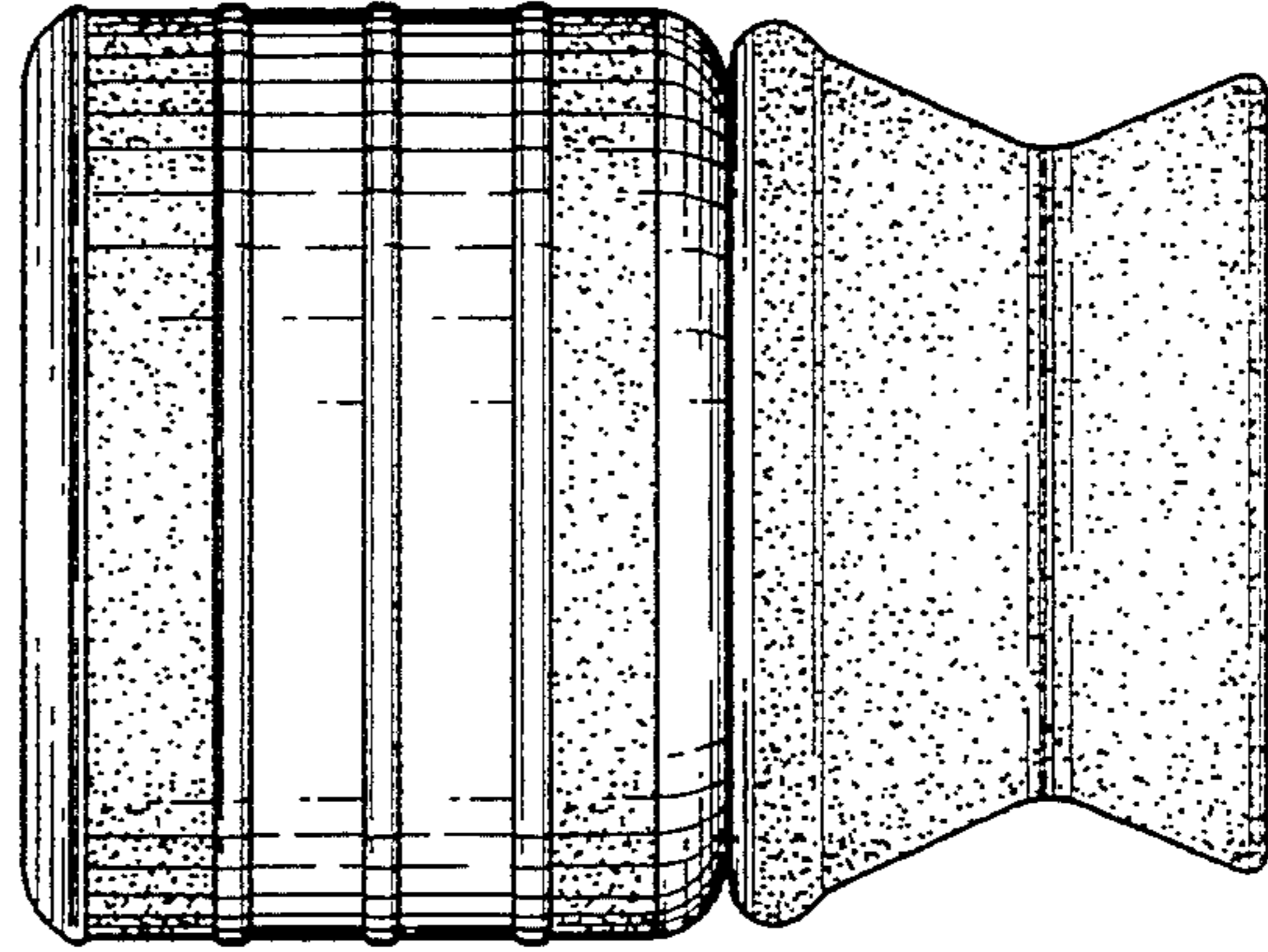
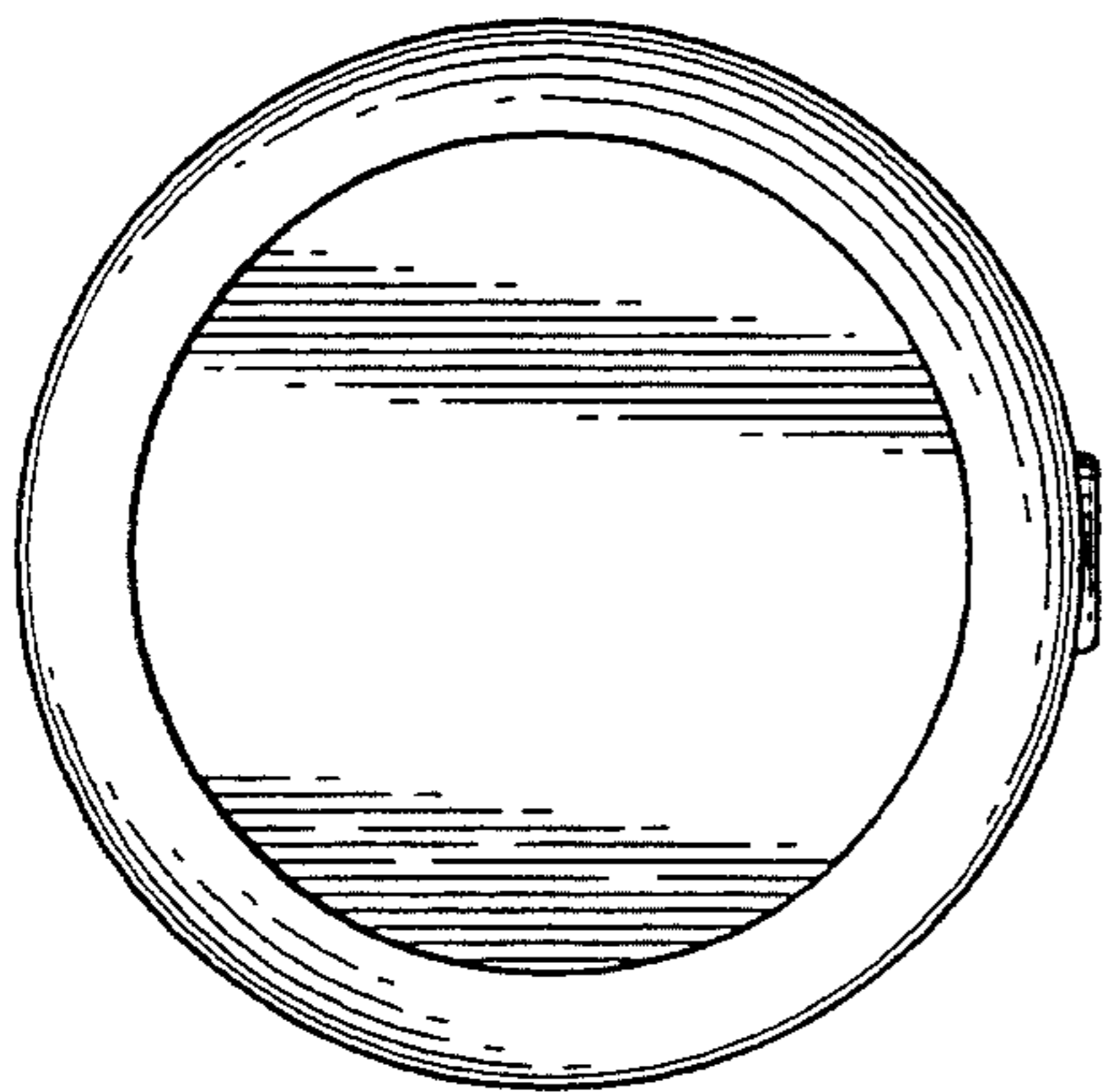


*Fig. 1*

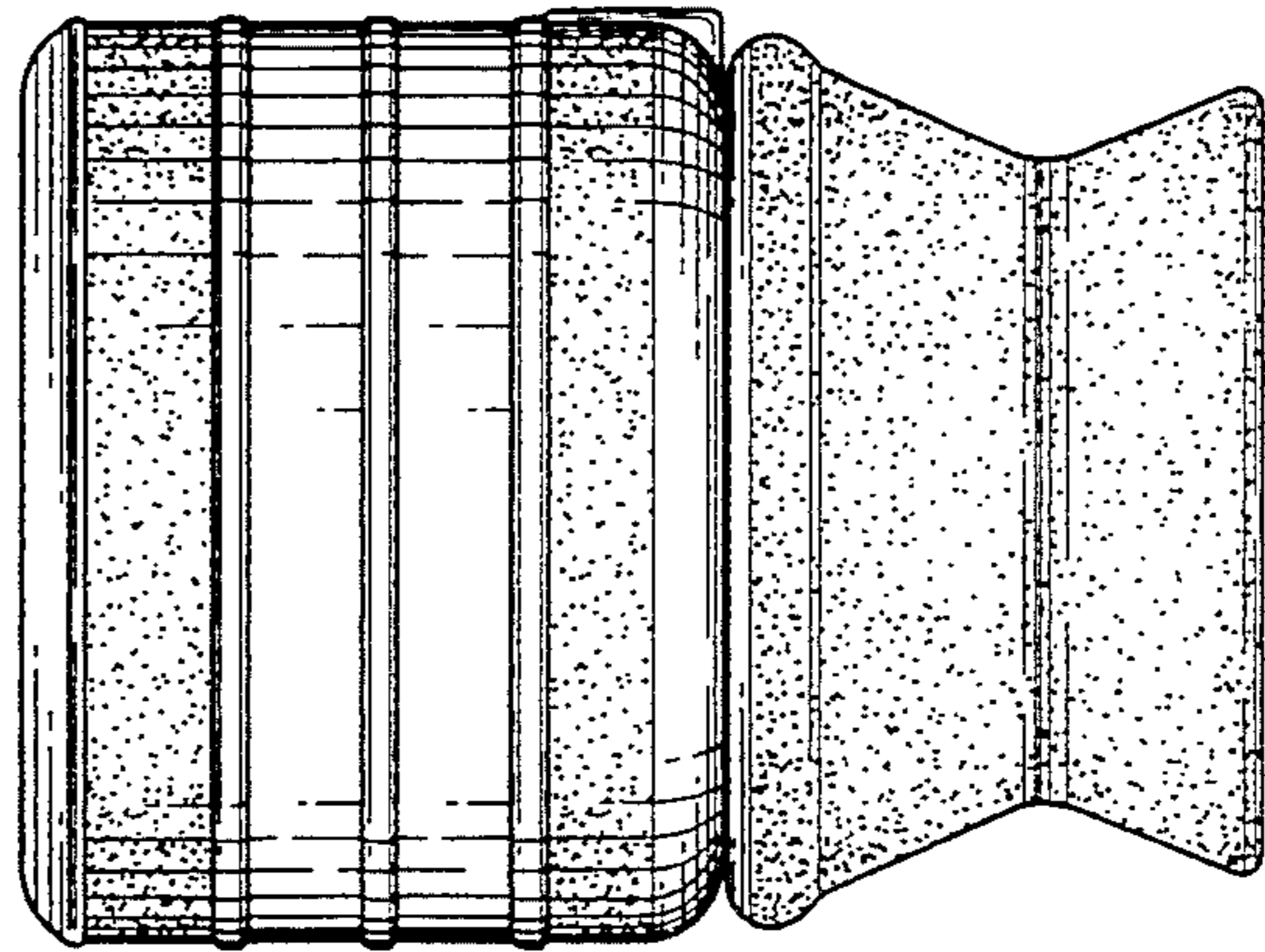
*Fig. 3*



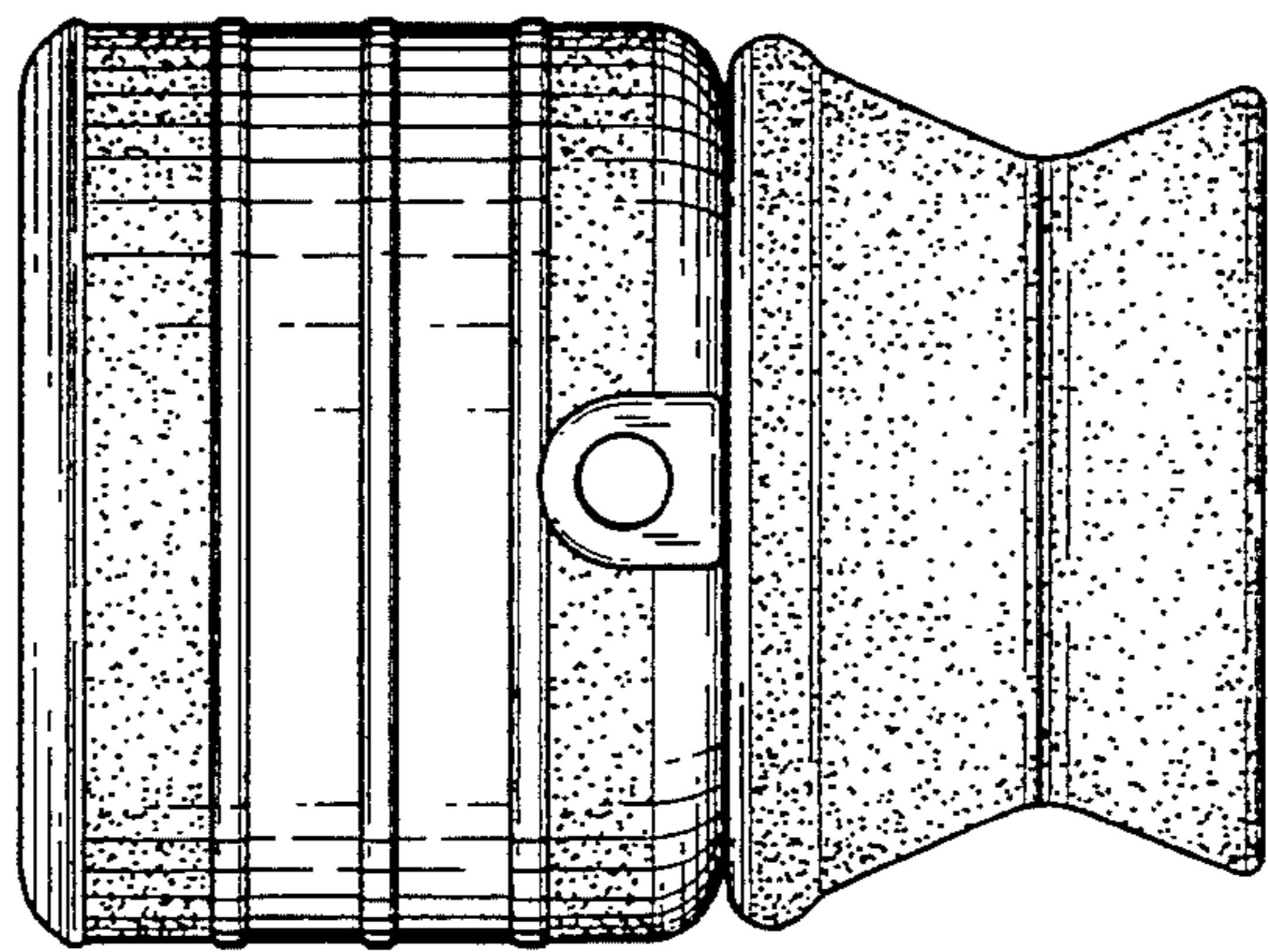
*Fig. 2*



*Fig. 6*



*Fig. 5*



*Fig. 4*