



US00D360095S

United States Patent [19]

[11] Patent Number: **Des. 360,095**

Wang

[45] Date of Patent: **** Jul. 11, 1995**

[54] **TOWEL RACK**

D. 340,377 10/1993 Brazis D6/549
2,315,566 4/1943 Watral et al. 211/123

[76] Inventor: **Sung-Shun Wang**, 58, Ma Yuan West St., Taichung, Taiwan

Primary Examiner—Brian N. Vinson

[**] Term: **14 Years**

[57] **CLAIM**

[21] Appl. No.: **27,048**

The ornamental design for a towel rack, as shown and described.

[22] Filed: **Aug. 11, 1994**

[52] U.S. Cl. **D6/548**

DESCRIPTION

[58] Field of Search D6/546-550;
211/66-88, 90, 123, 181

FIG. 1 is a perspective view of a towel rack showing my new design;

FIG. 2 is a front elevational view thereof;

FIG. 3 is a rear elevational view thereof;

FIG. 4 is a right side elevational view thereof;

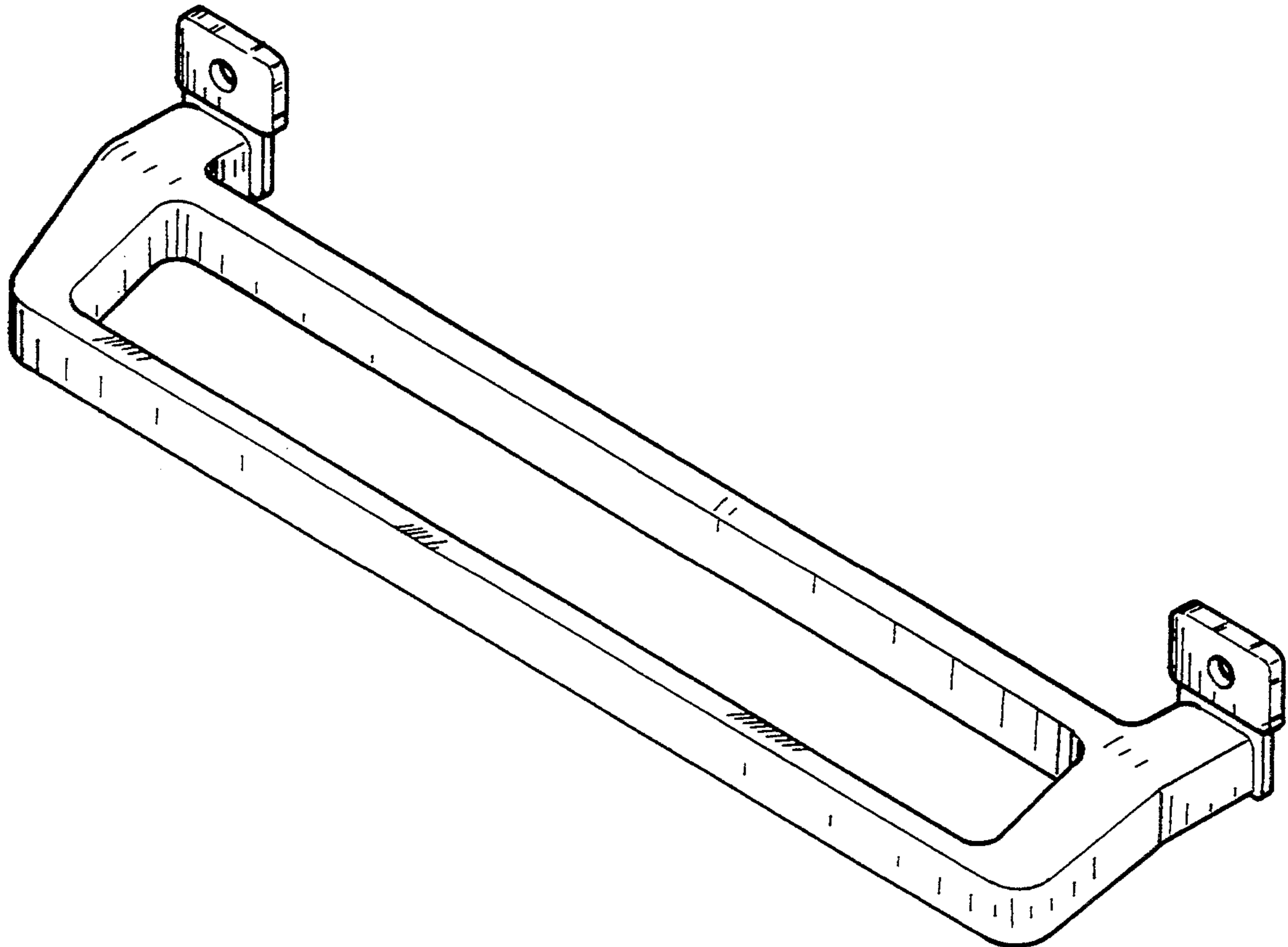
FIG. 5 is a left side elevational view thereof; and,

FIG. 6 is a top plan view thereof, the bottom being identical in appearance.

[56] **References Cited**

U.S. PATENT DOCUMENTS

- D. 242,312 11/1976 Thomasson D6/548
- D. 264,407 5/1982 Thompson D6/548
- D. 276,387 11/1984 Conti D6/549



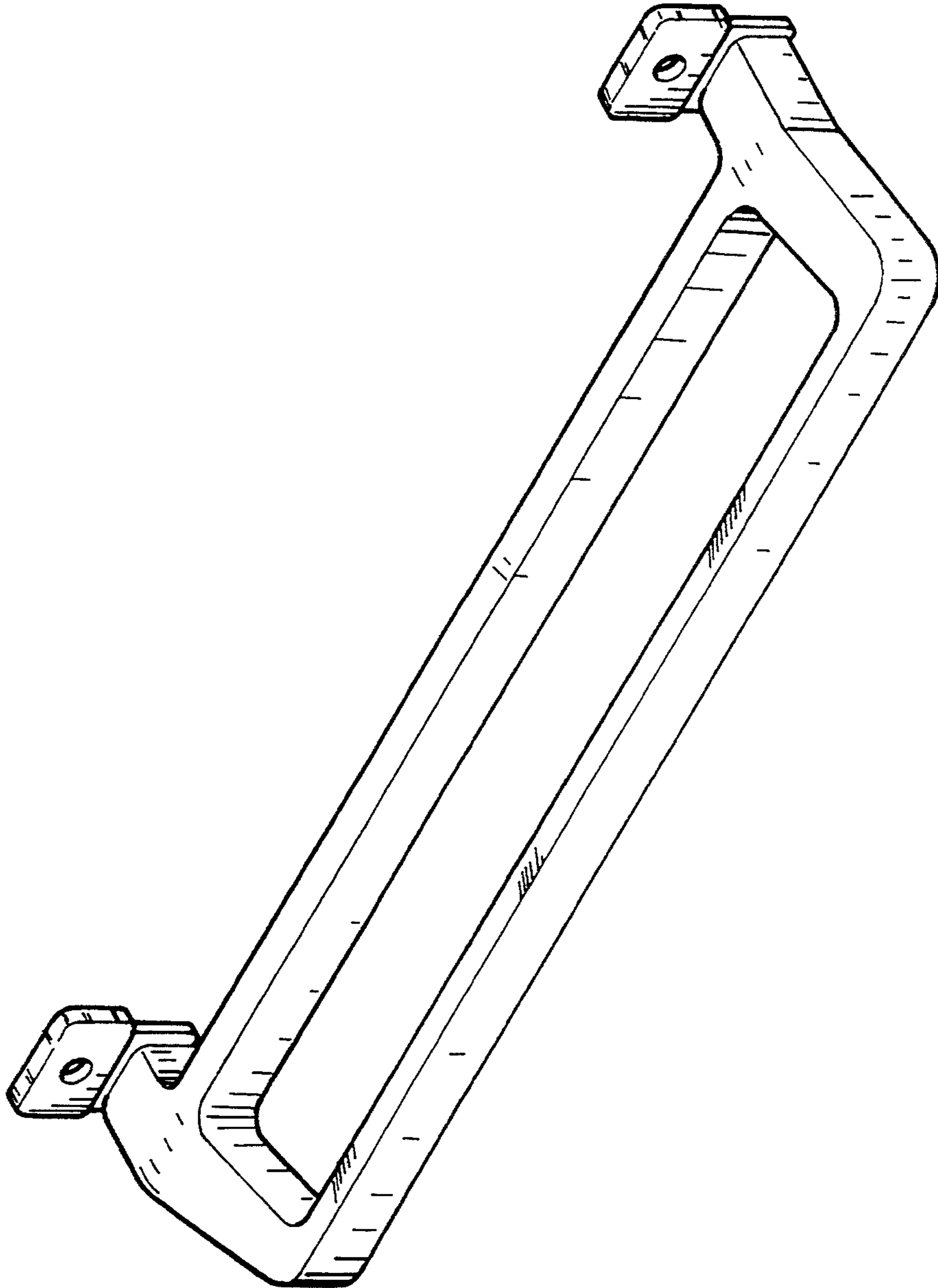


FIG.1

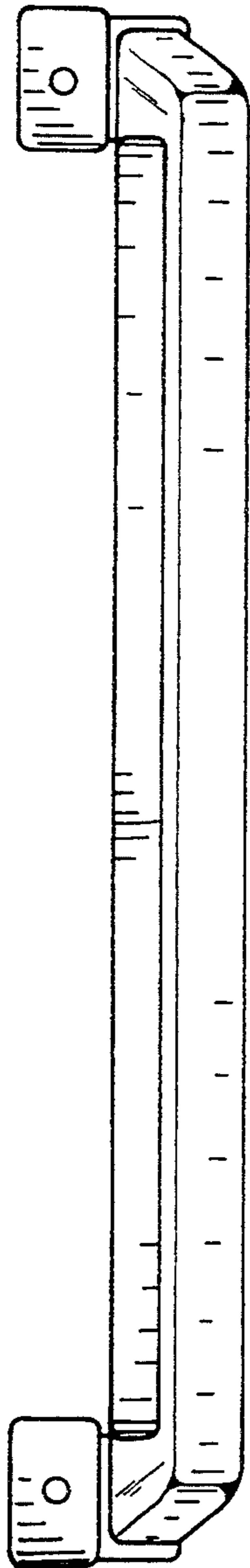


FIG. 2

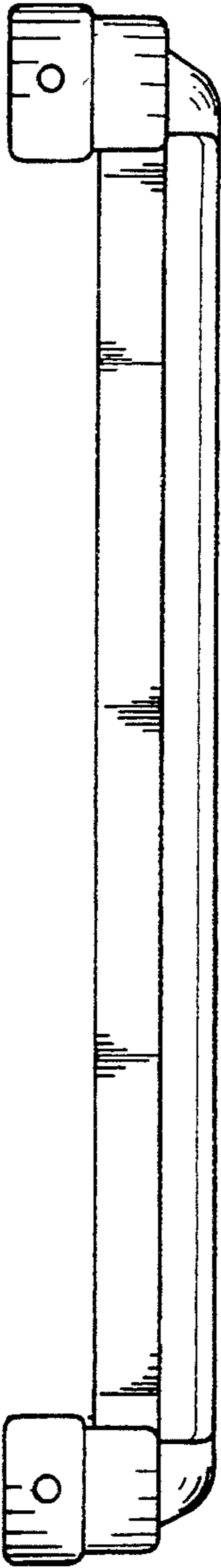


FIG. 3

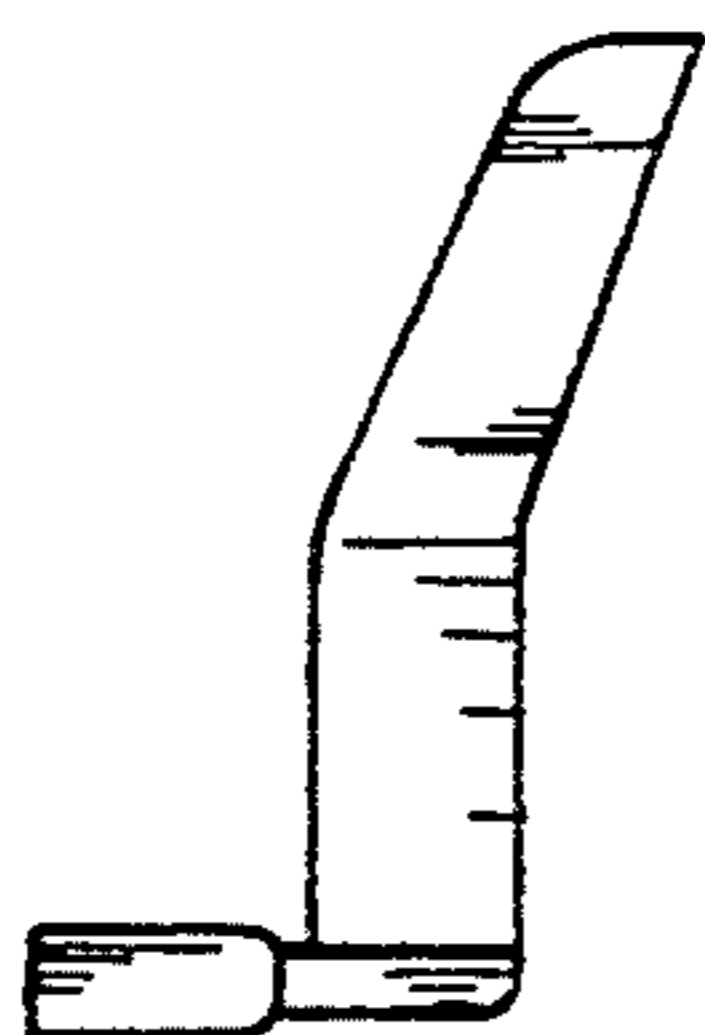


FIG.5

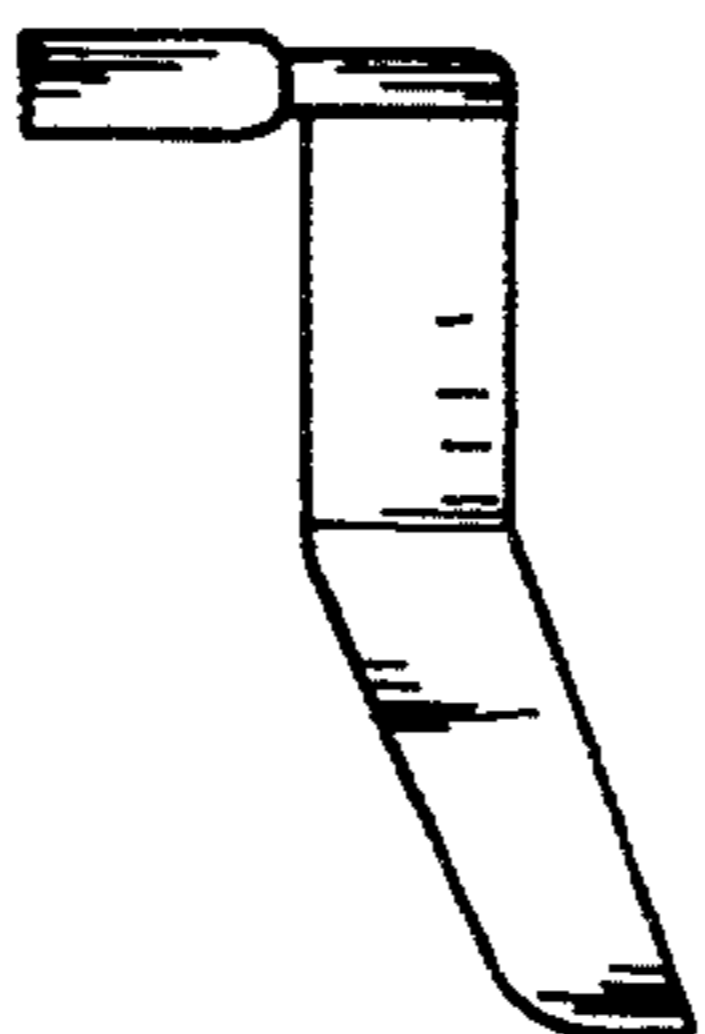


FIG.4

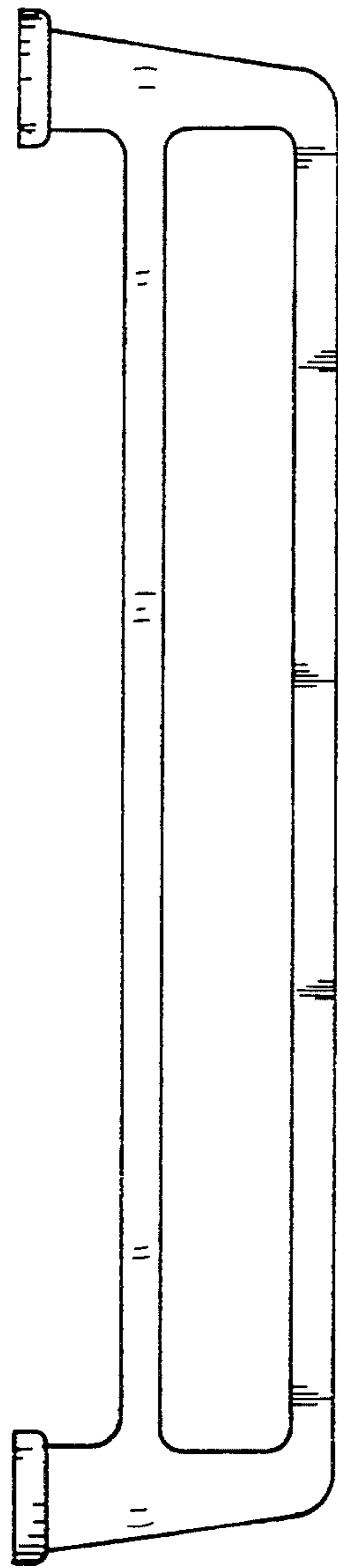


FIG.6