



US00D360093S

United States Patent [19] Bigwood

[11] Patent Number: **Des. 360,093**
[45] Date of Patent: **** Jul. 11, 1995**

[54] **DRAINING SOAP RACK**
[75] Inventor: **Guy M. Bigwood**, Hamden, Conn.
[73] Assignee: **Ameropean Corporation**, North Haven, Conn.
[**] Term: **14 Years**
[21] Appl. No.: **15,045**
[22] Filed: **Nov. 3, 1993**
[52] U.S. Cl. **D6/536; D6/537**
[58] Field of Search **D6/536-540; 206/77.1; 211/13-14; 248/175**

4,993,546 2/1991 Southard 206/77.1

Primary Examiner—Brian N. Vinson
Attorney, Agent, or Firm—CTC & Associates

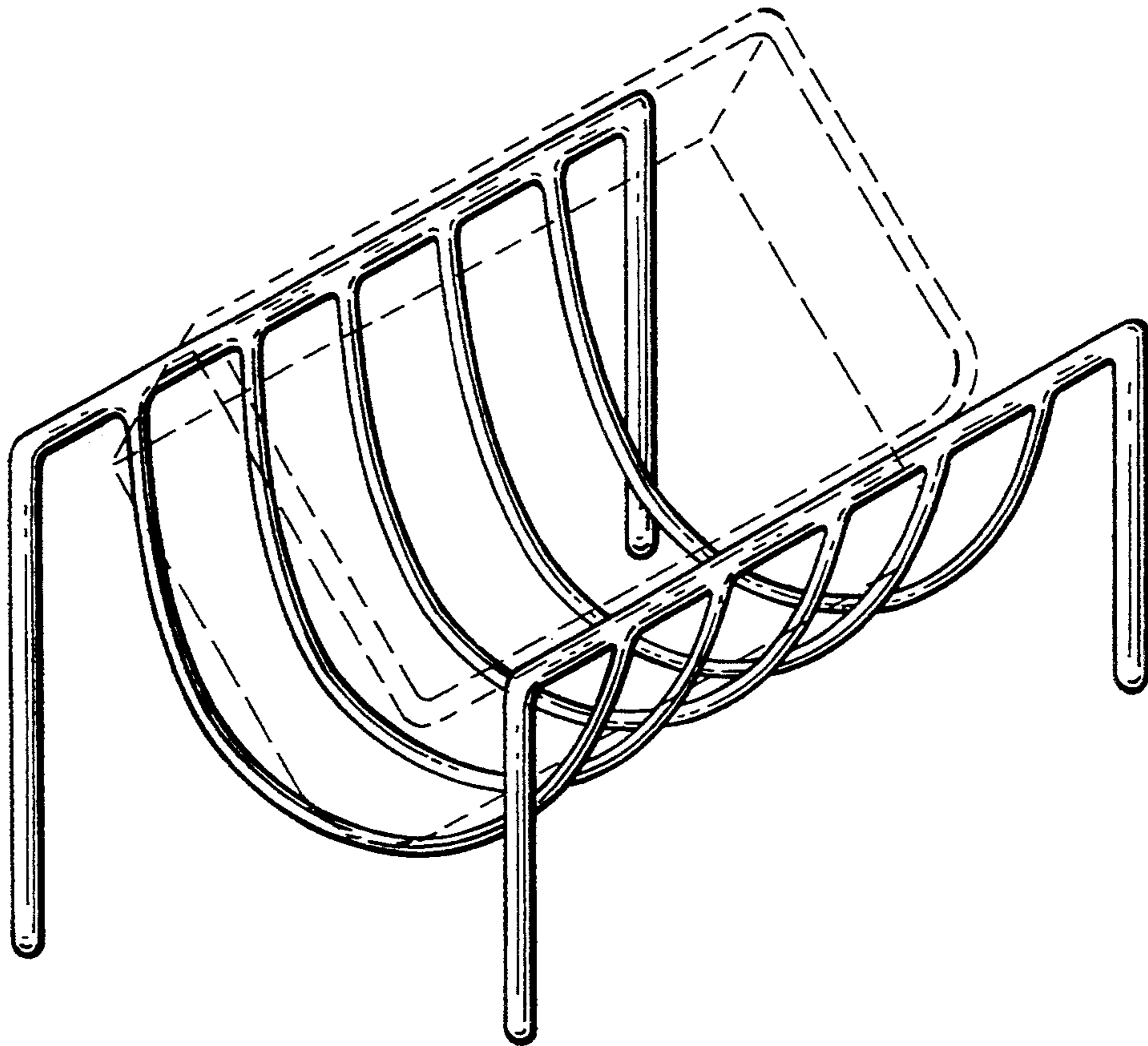
[57] CLAIM

The ornamental design for draining soap rack, as shown and described.

DESCRIPTION

FIG. 1 is a top, front, and left side perspective view of a draining soap rack showing my new design;
FIG. 2 is a top, front, and left side perspective view thereof, the broken-line disclosure of a soap bar being for illustrative purposes only and forming no part of the claimed design;
FIG. 3 is a reduced left side elevational view thereof, the right side being a mirror image of that shown;
FIG. 4 is a reduced front elevational view thereof;
FIG. 5 is a reduced rear elevational view thereof;
FIG. 6 is a reduced top plan view thereof; and,
FIG. 7 is a reduced bottom plan view thereof.

[56] **References Cited**
U.S. PATENT DOCUMENTS
D. 177,300 4/1956 Abbate D6/540
D. 193,970 11/1962 Forsman D6/536
D. 327,596 7/1992 Emery D6/537
4,775,124 10/1988 Hicks 248/175
4,858,757 8/1989 Liggett 206/77.1



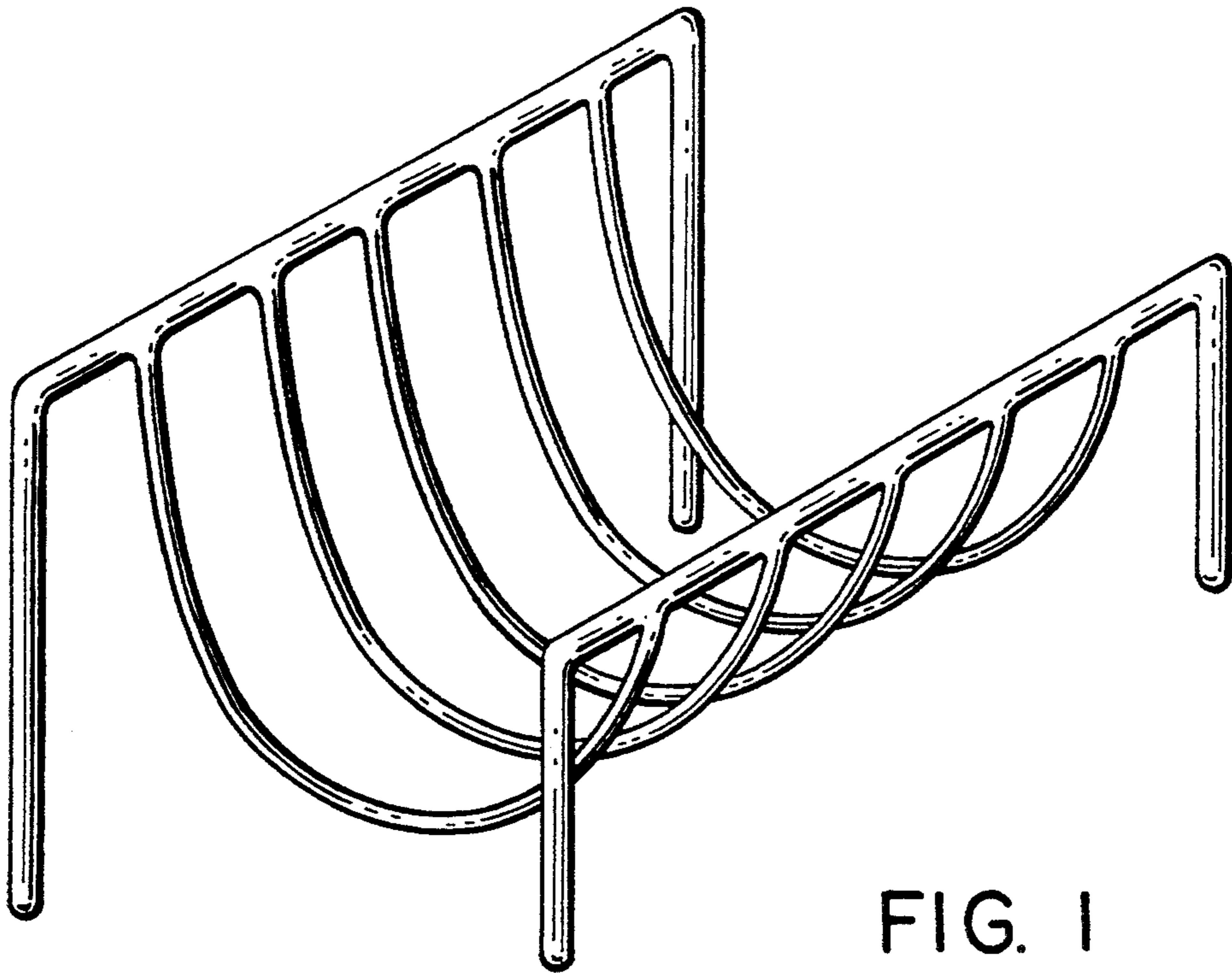


FIG. 1

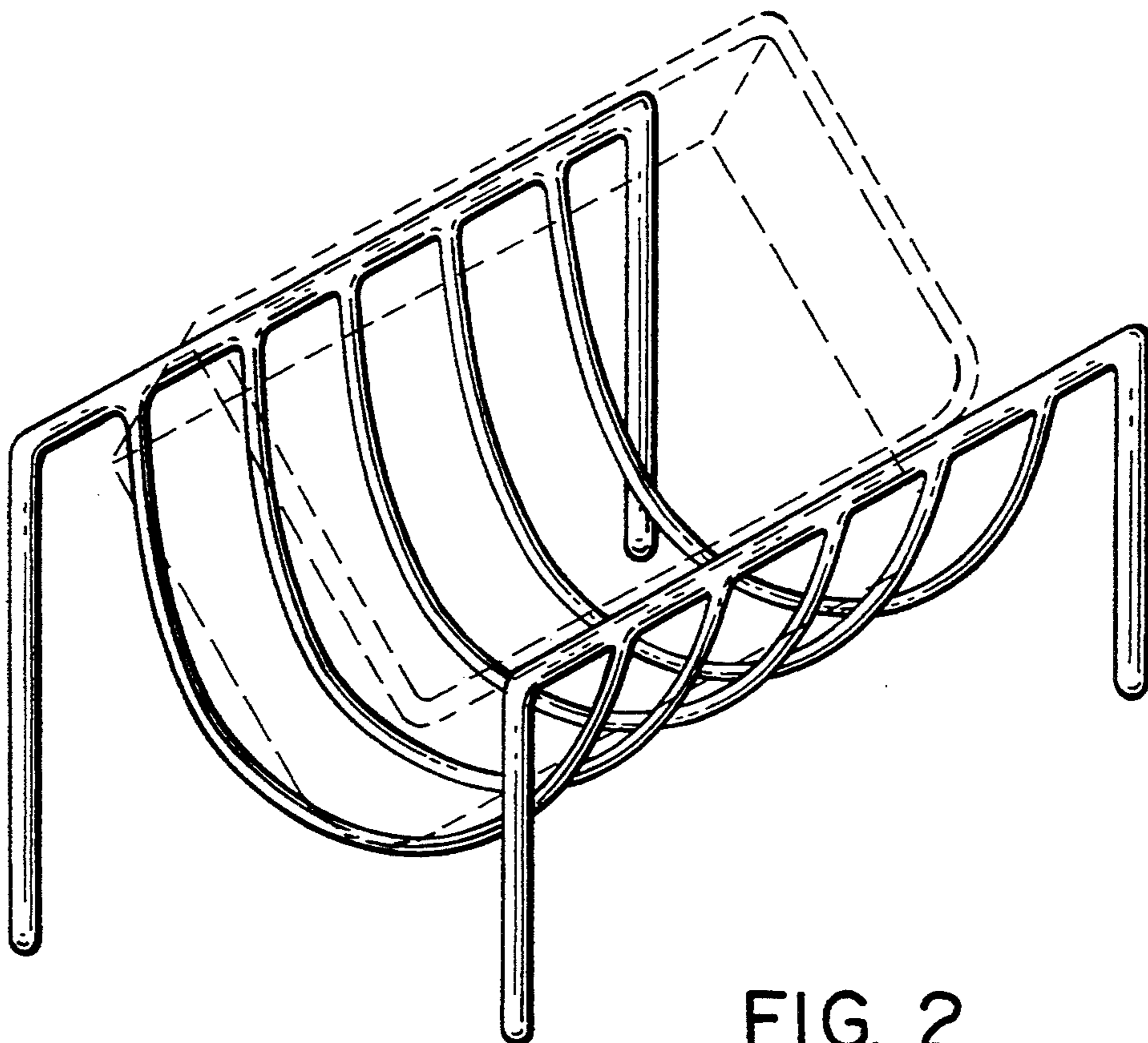


FIG. 2

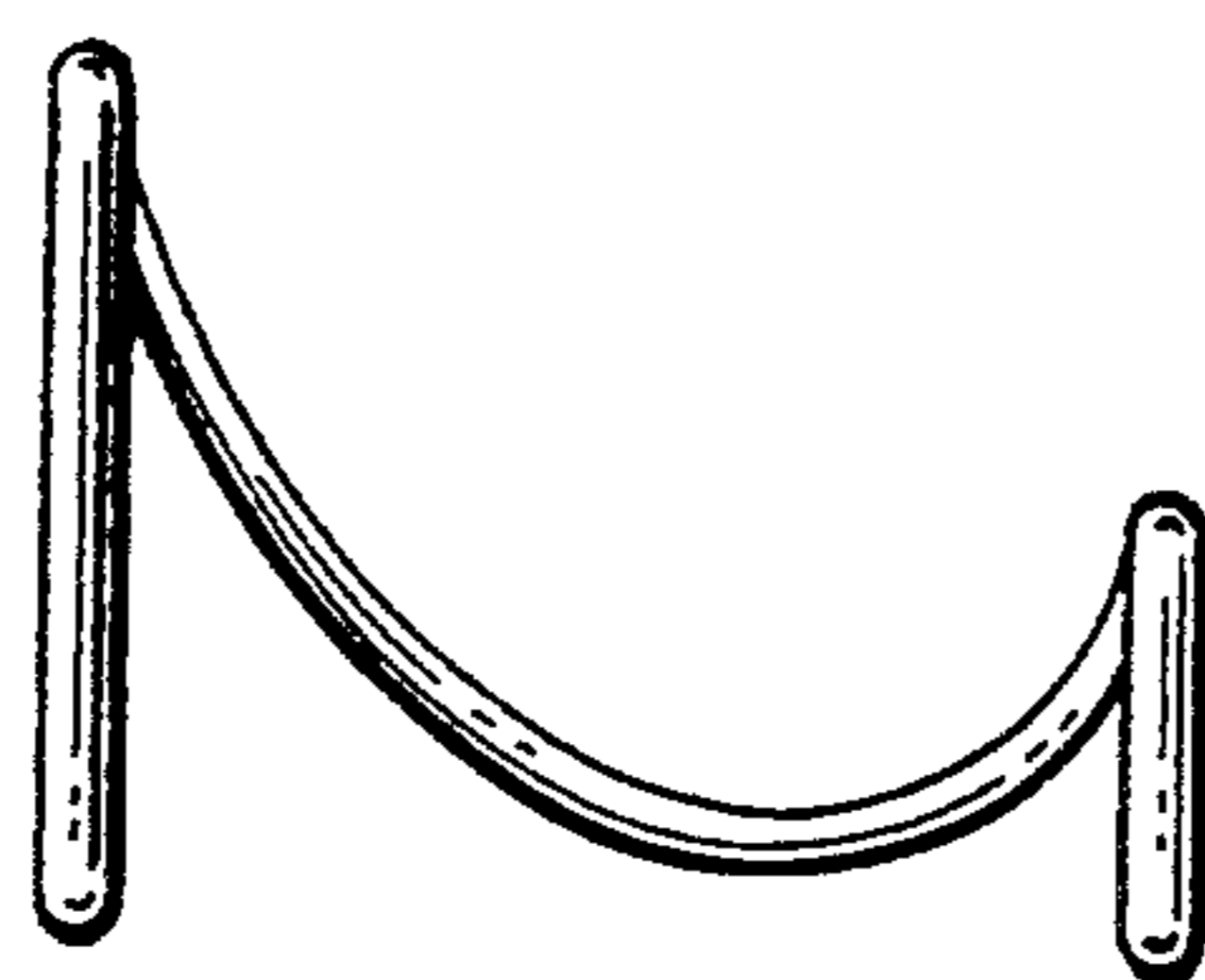


FIG. 3

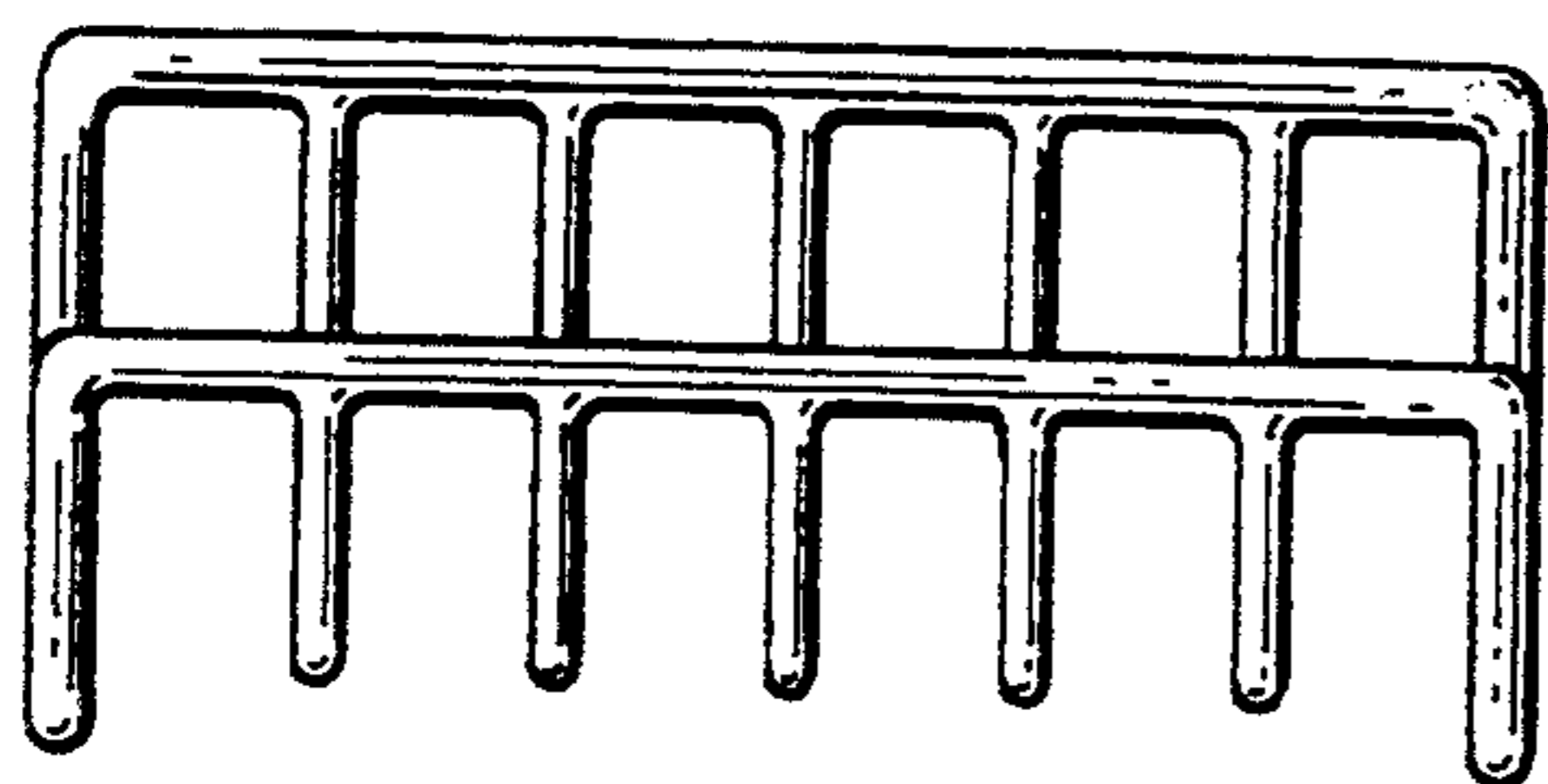


FIG. 4

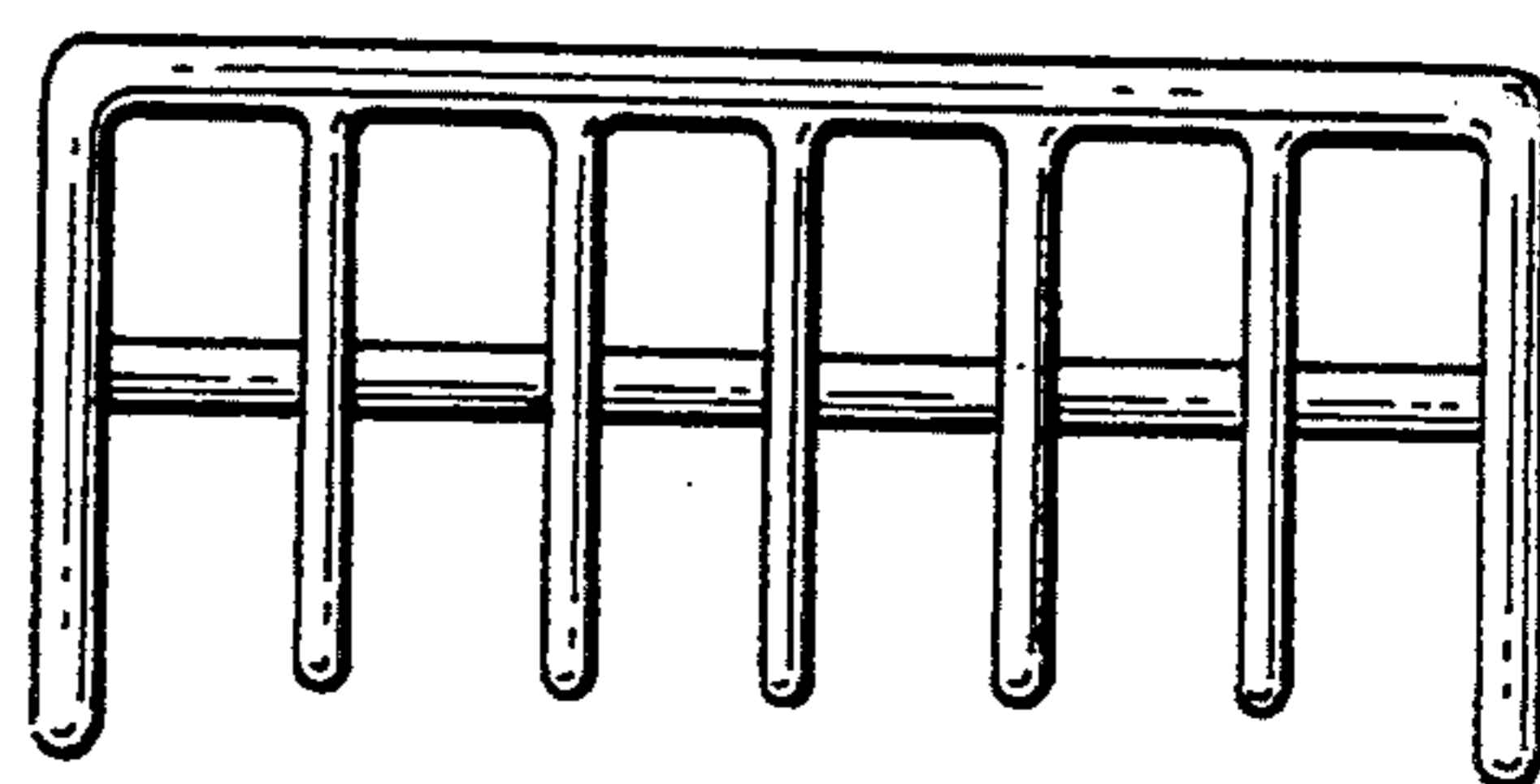


FIG. 5

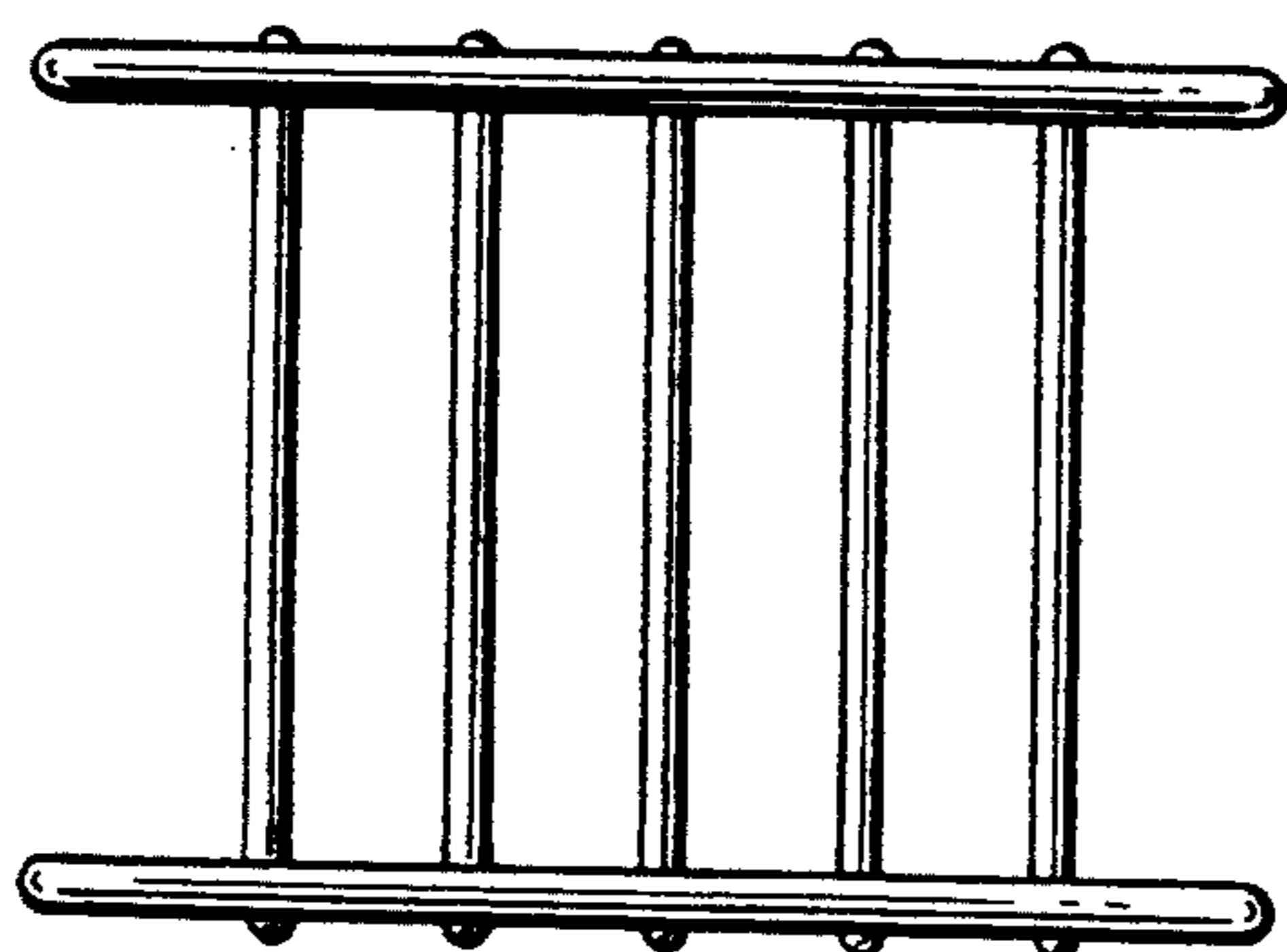


FIG. 6

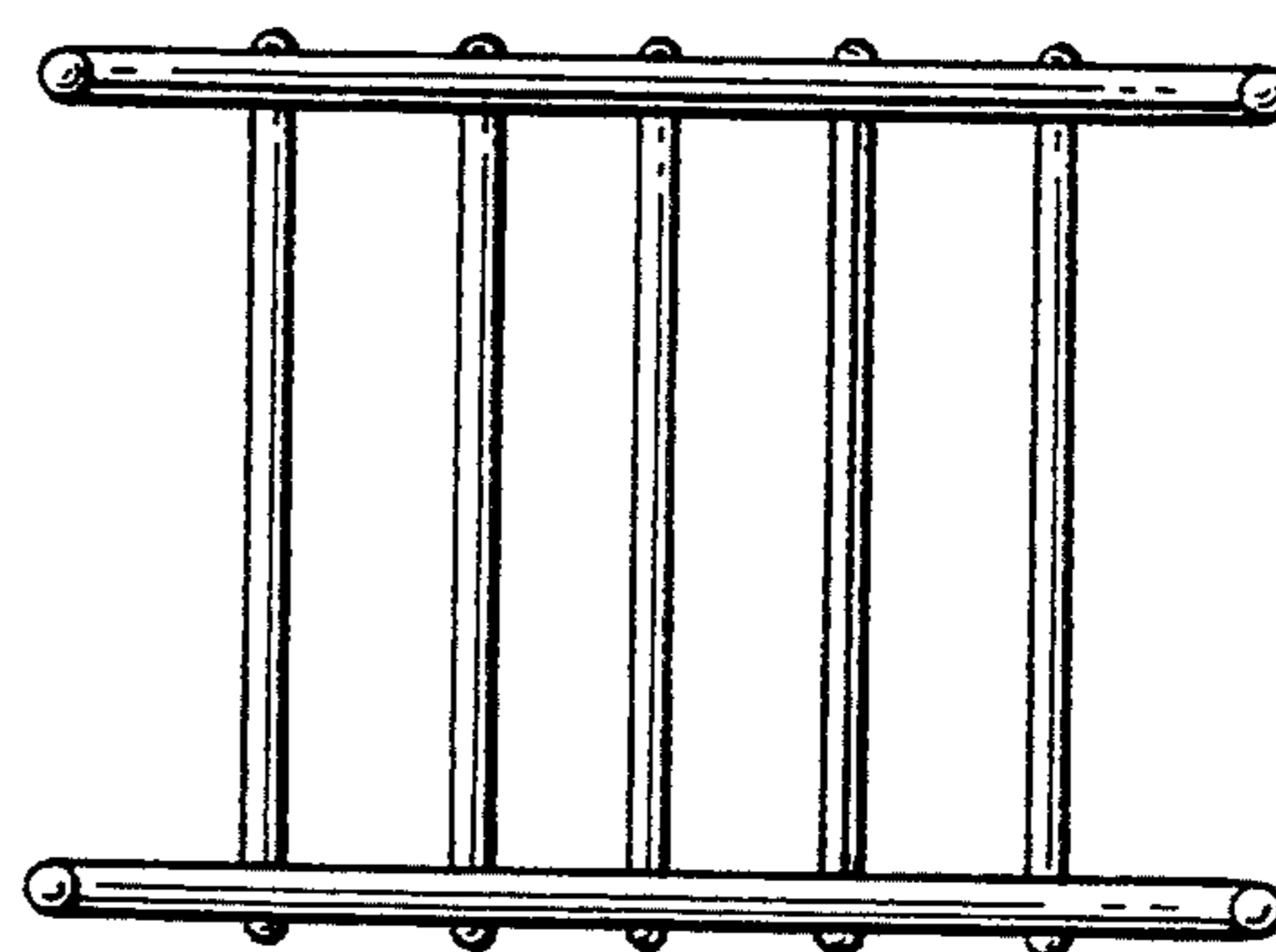


FIG. 7