



US00D360081S

# United States Patent [19]

[11] Patent Number: **Des. 360,081**

Westerburgen

[45] Date of Patent: **\*\* Jul. 11, 1995**

[54] **COLLAPSIBLE LAWN CHAIR**

[75] Inventor: **Josephus P. M. Westerburgen,**  
Heythuysen, Netherlands

[73] Assignee: **Lawn Comfort S.A., Ans-Allieur,**  
Belgium

[\*\*] Term: **14 Years**

[21] Appl. No.: **21,692**

[22] Filed: **Feb. 28, 1994**

[30] **Foreign Application Priority Data**

Aug. 30, 1993 [FR] France ..... DM/027128

[52] U.S. Cl. .... **D6/361; D6/368**

[58] Field of Search ..... D6/334, 335, 360, 361,  
D6/367, 368, 370, 379, 500, 501, 502; 297/377

[56] **References Cited**

**U.S. PATENT DOCUMENTS**

D. 294,890 3/1988 Hubert ..... D6/361

D. 296,849 7/1988 Cronk ..... D6/361

D. 335,774 5/1993 Hubert ..... D6/361

*Primary Examiner*—Alan P. Douglas

*Assistant Examiner*—Gary D. Watson

*Attorney, Agent, or Firm*—Cushman Darby & Cushman

[57] **CLAIM**

The ornamental design for a collapsible lawn chair, as shown and described.

**DESCRIPTION**

FIG. 1 is a perspective view of a collapsible lawn chair showing my new design, from the front, left side and top, the right side being a mirror image of the left side thereof;

FIG. 2 is another perspective view thereof, from the left side and top;

FIG. 3 is another perspective view thereof, from the front;

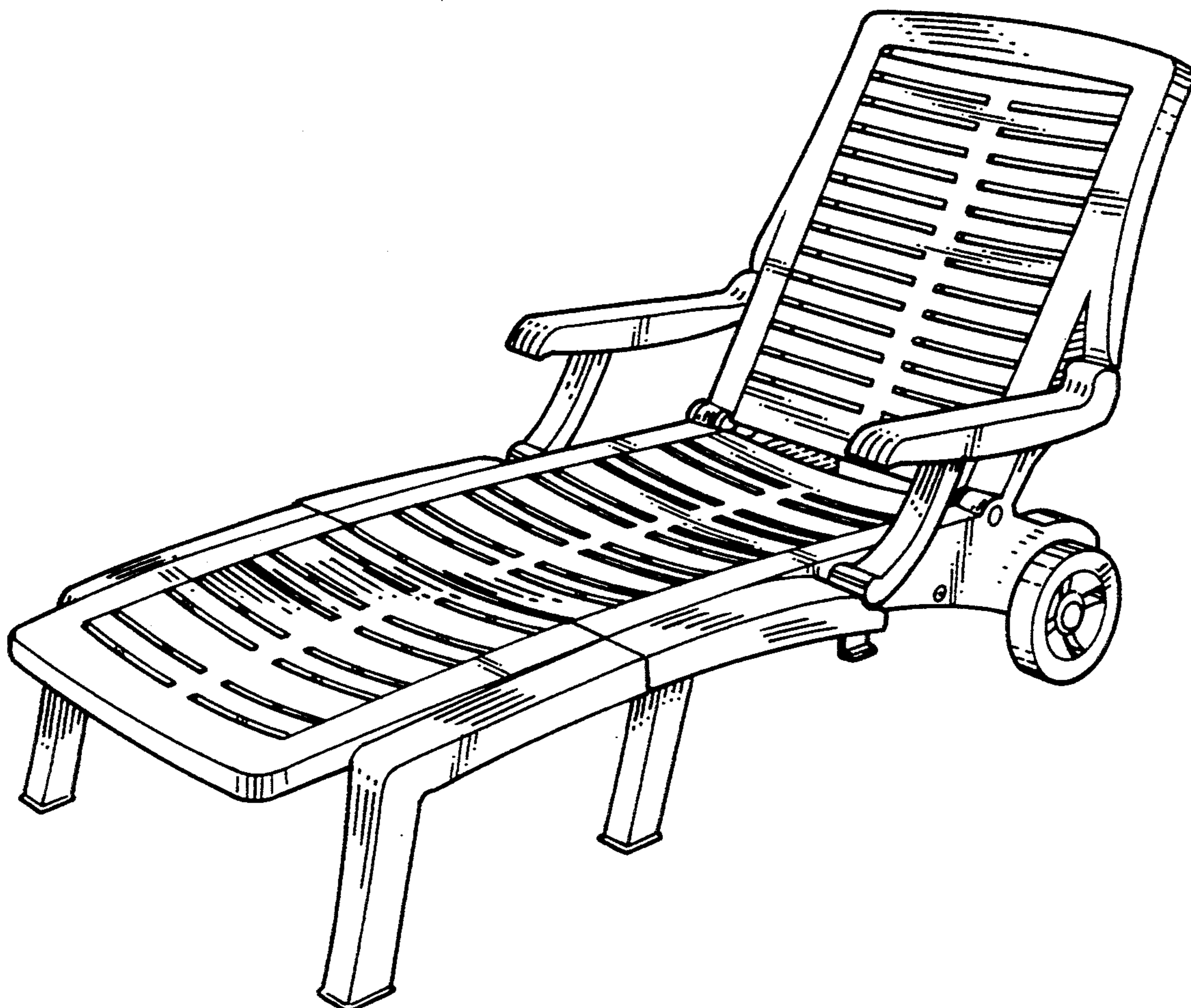
FIG. 4 is another perspective view thereof, from the rear;

FIG. 5 is another perspective view thereof, from the top;

FIG. 6 is another perspective view thereof, from the bottom;

FIG. 7 is another perspective view thereof, from the front, left side and top, in a reclined condition thereof; and,

FIG. 8 is another perspective view thereof, from the left side thereof, in a collapsed condition thereof.



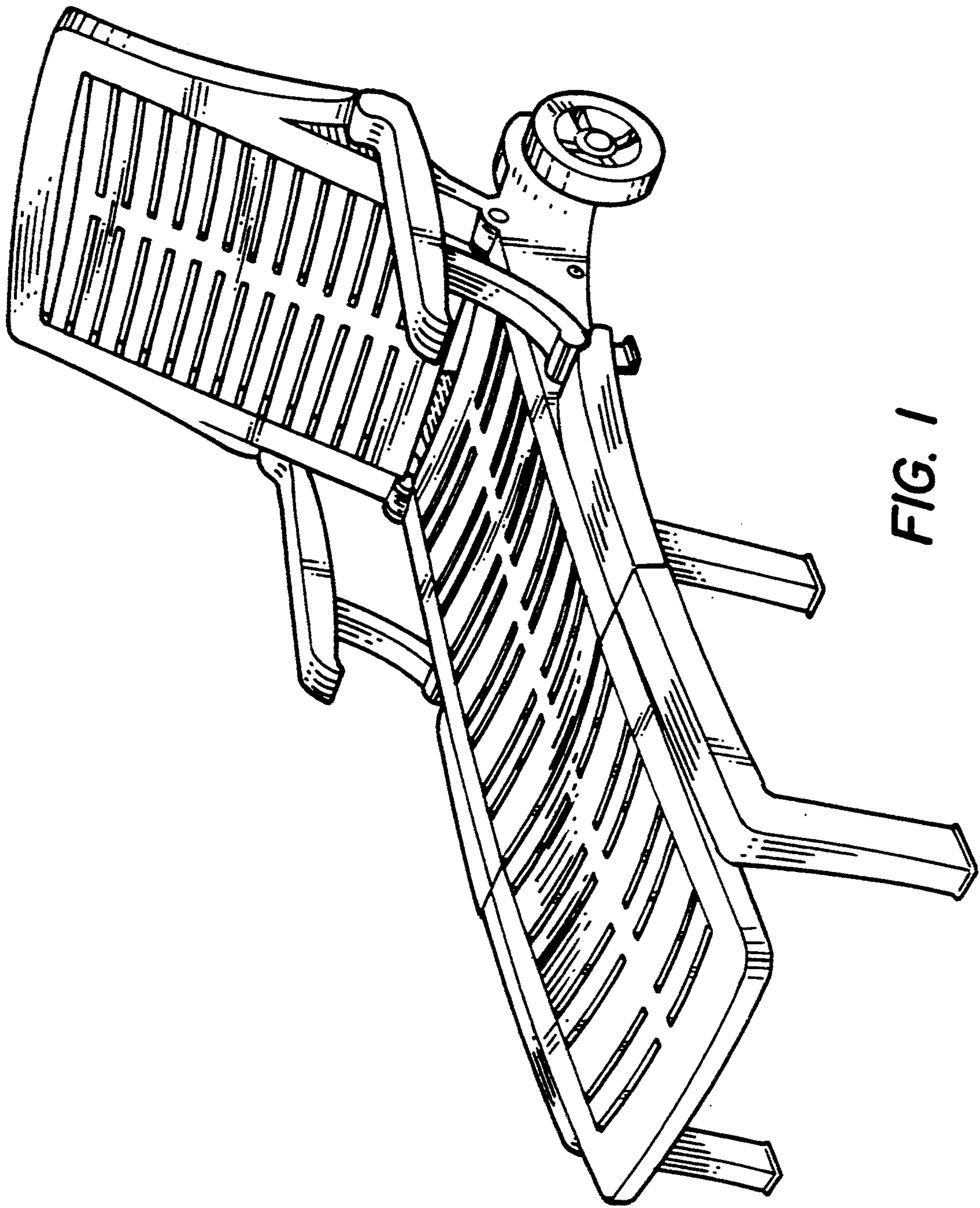


FIG. 1

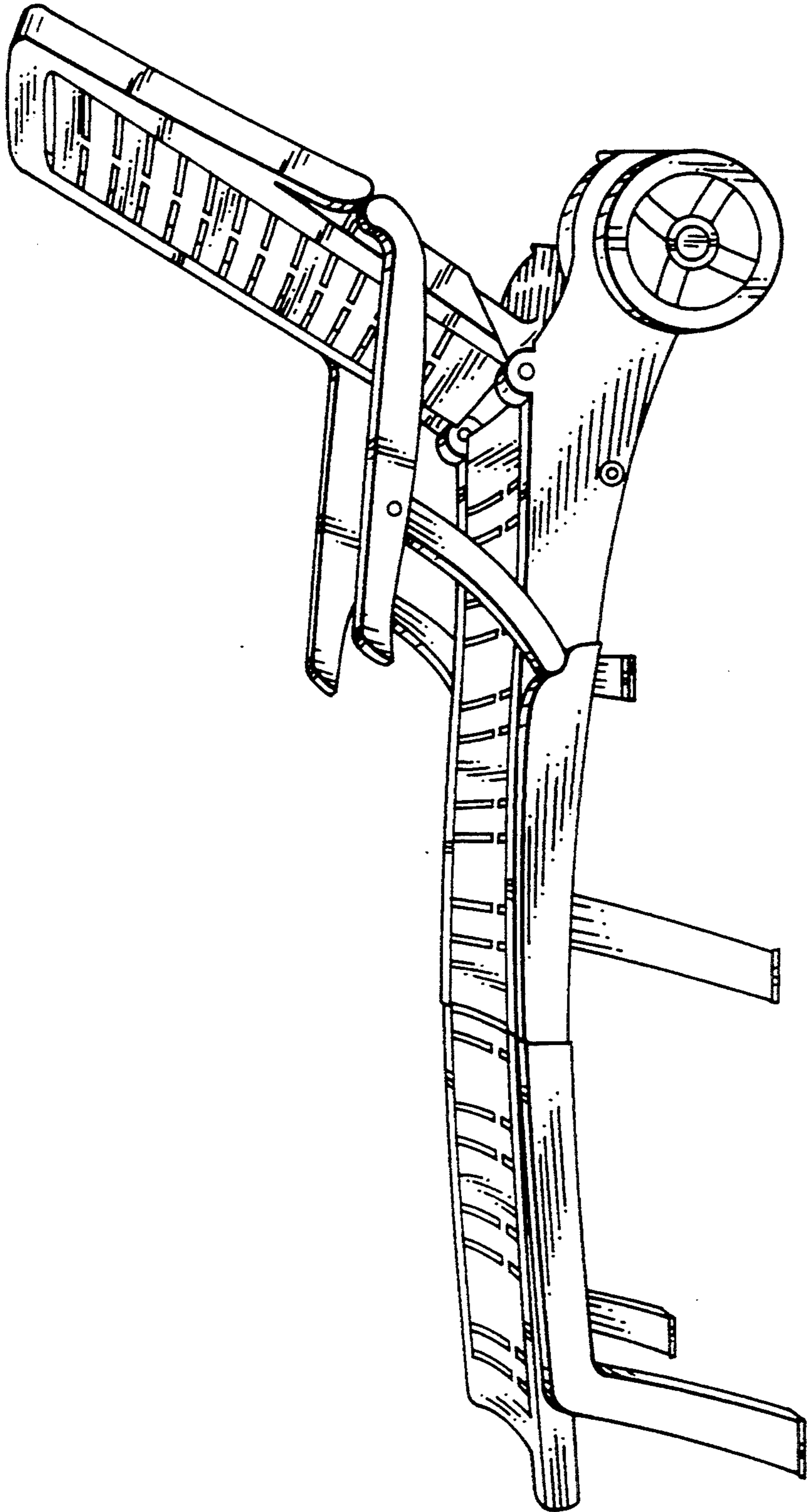


FIG. 2

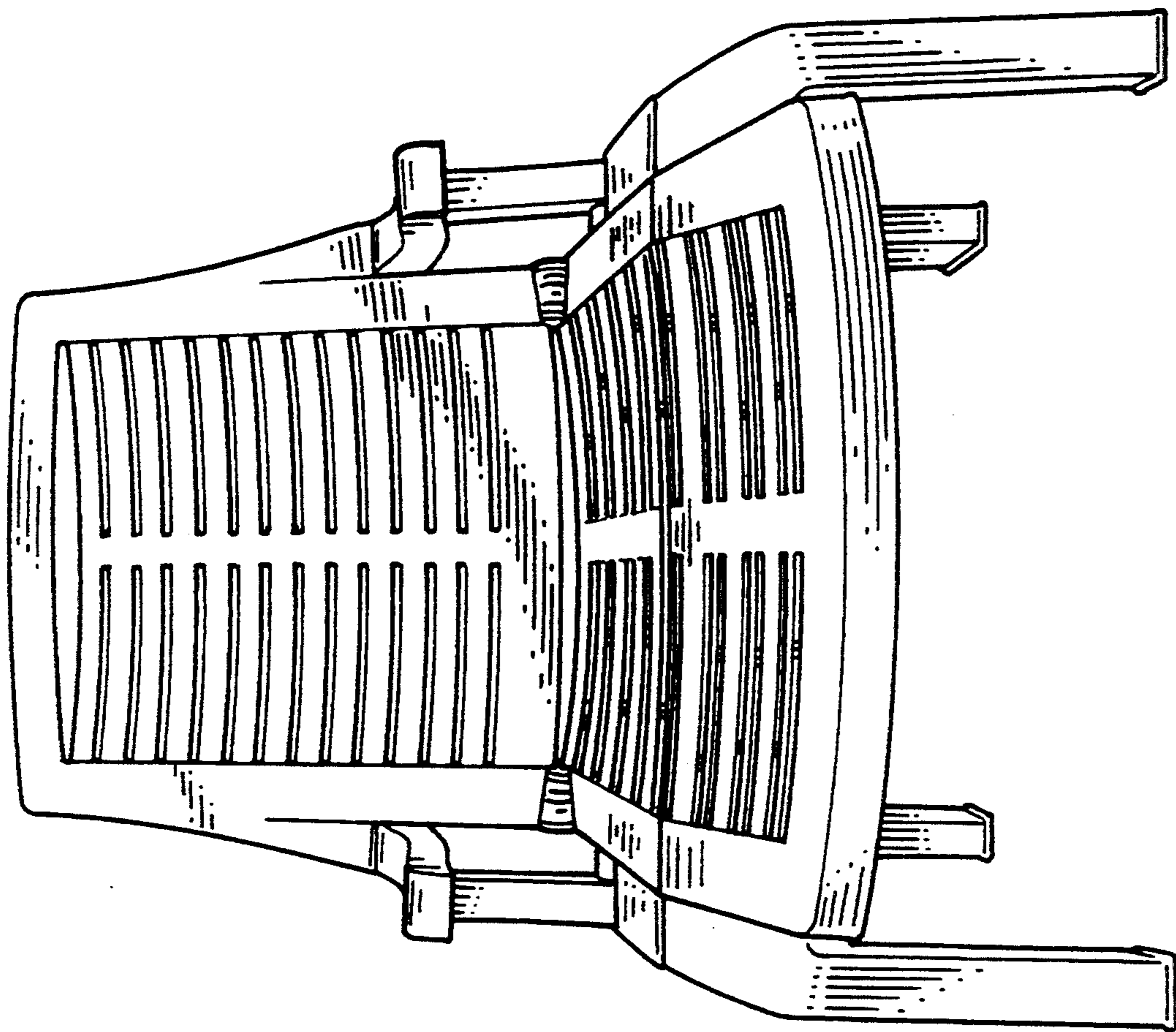


FIG. 3

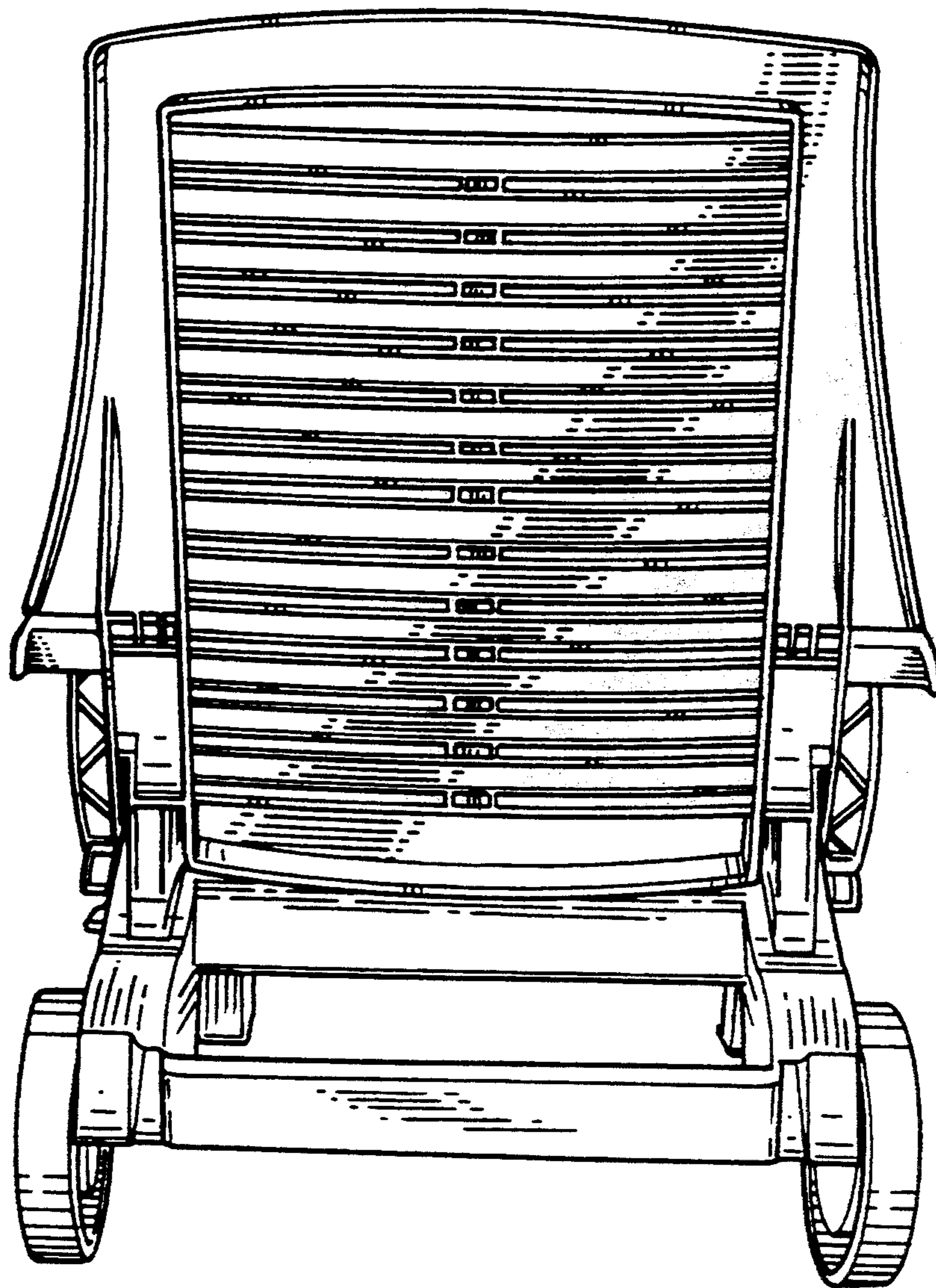


FIG. 4

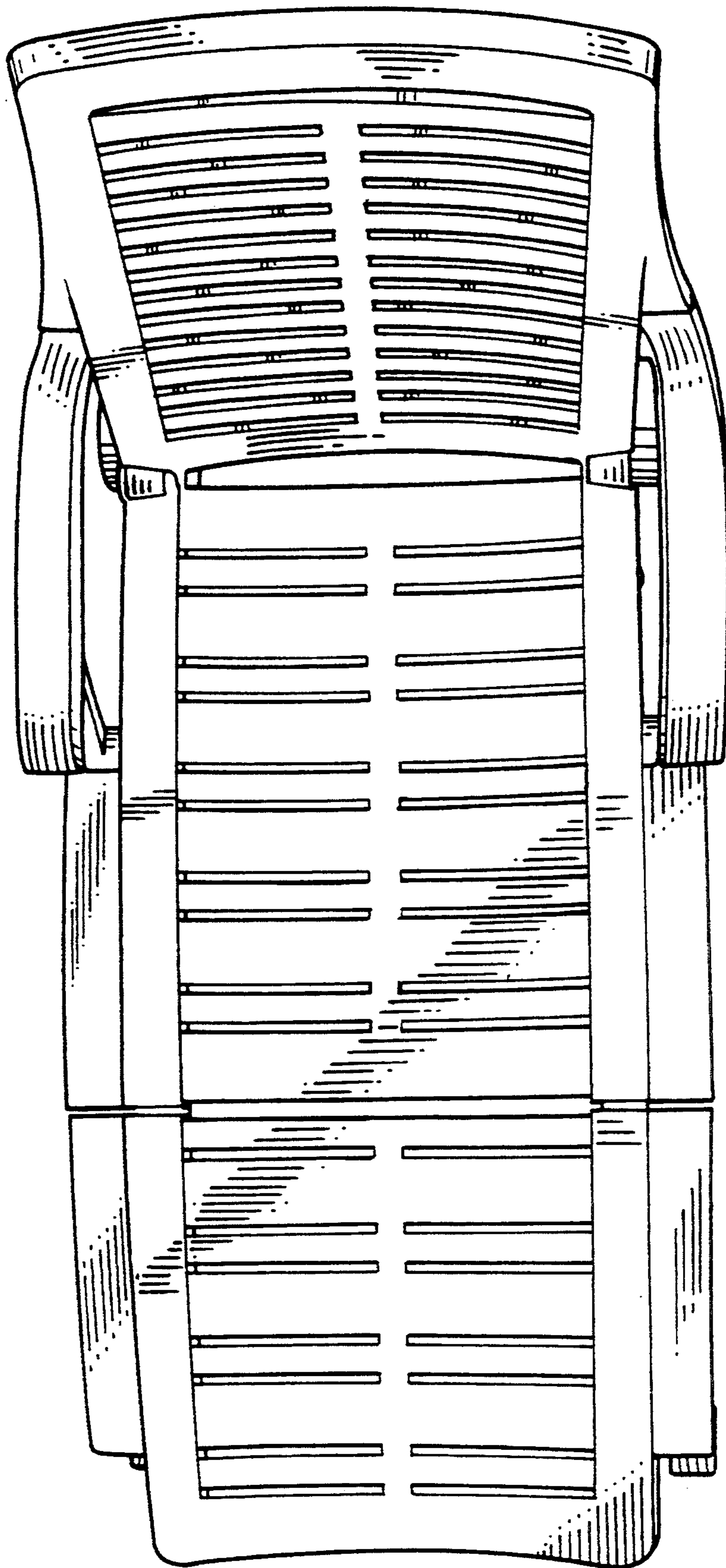


FIG. 5

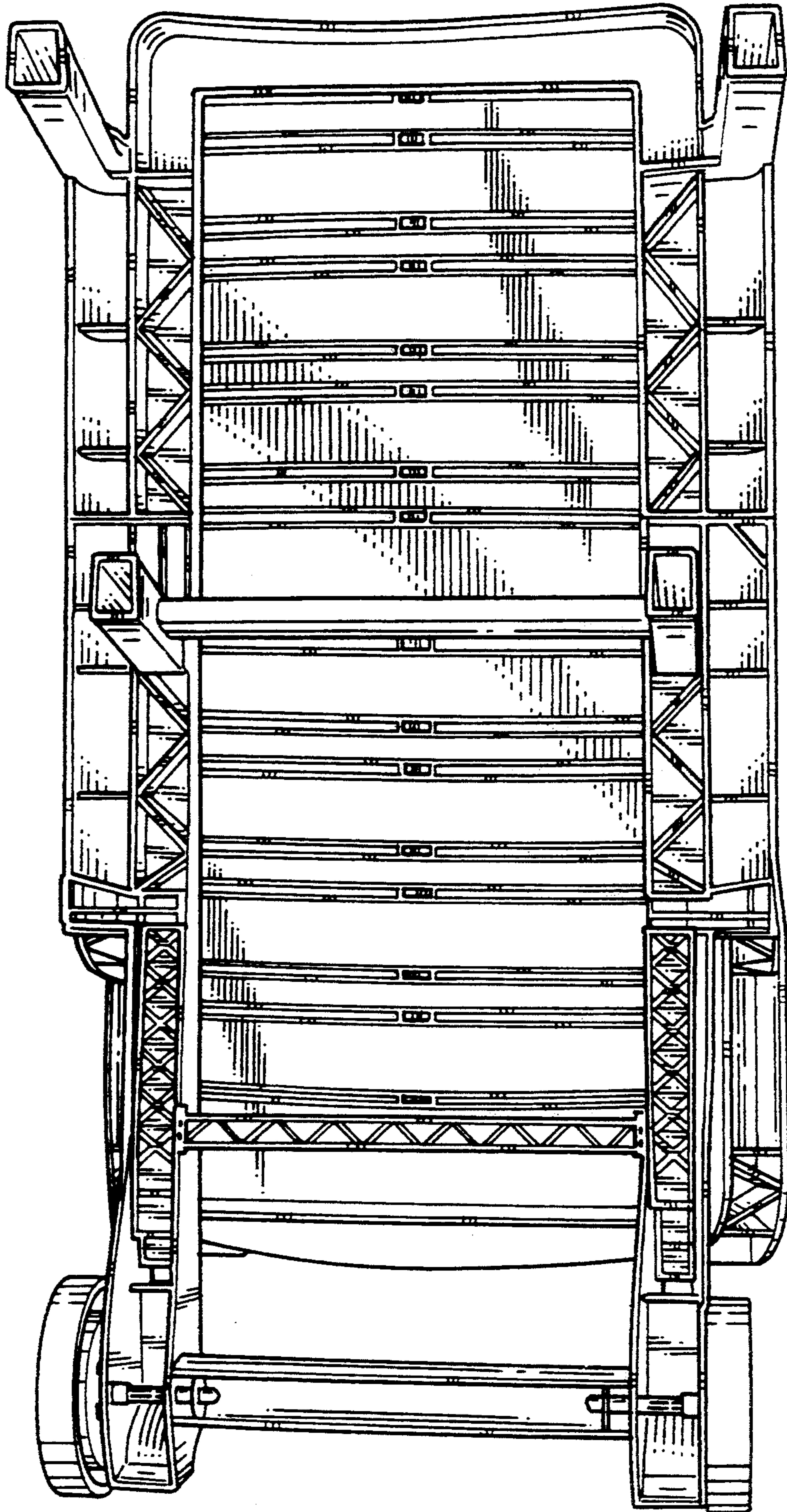


FIG. 6

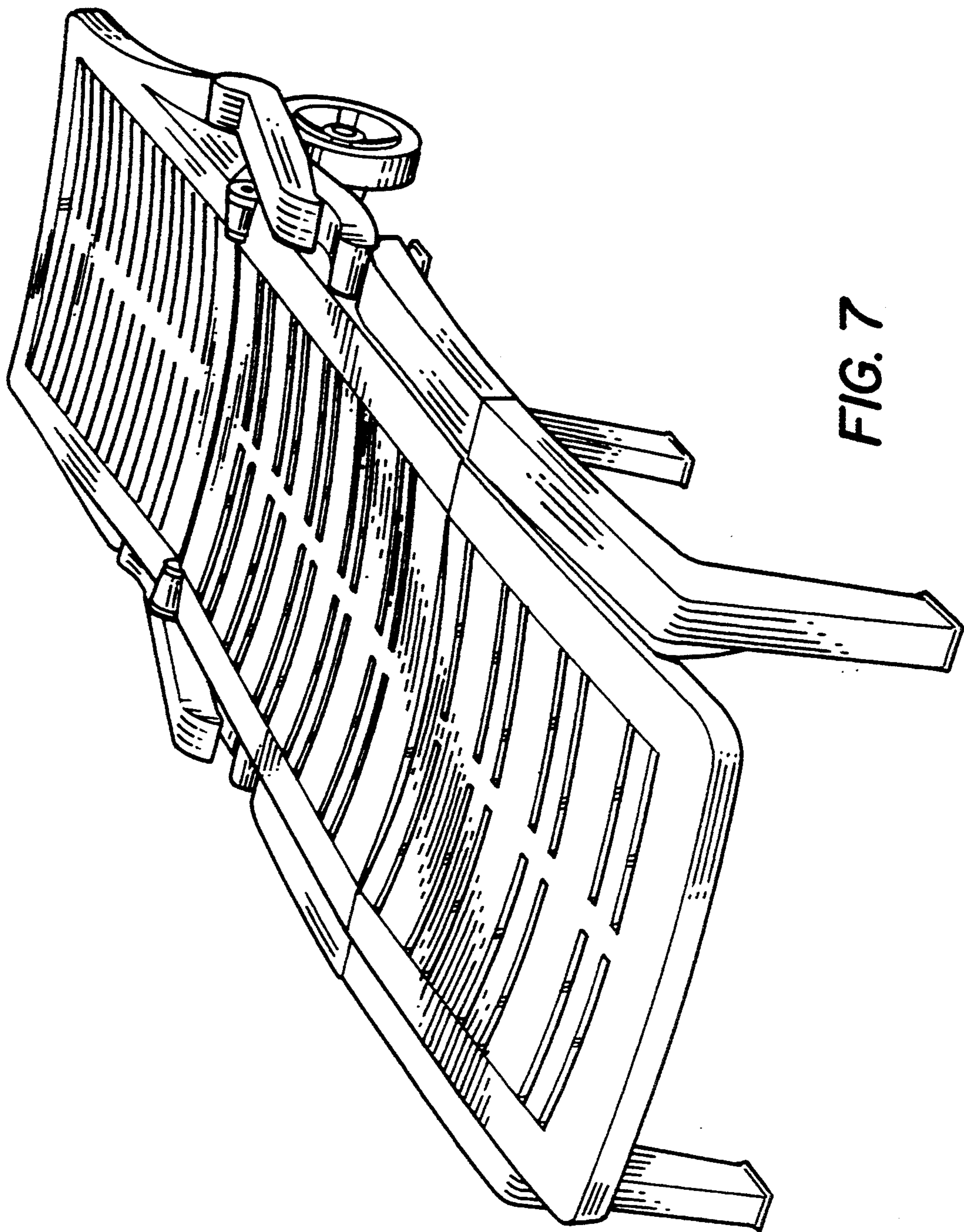


FIG. 7



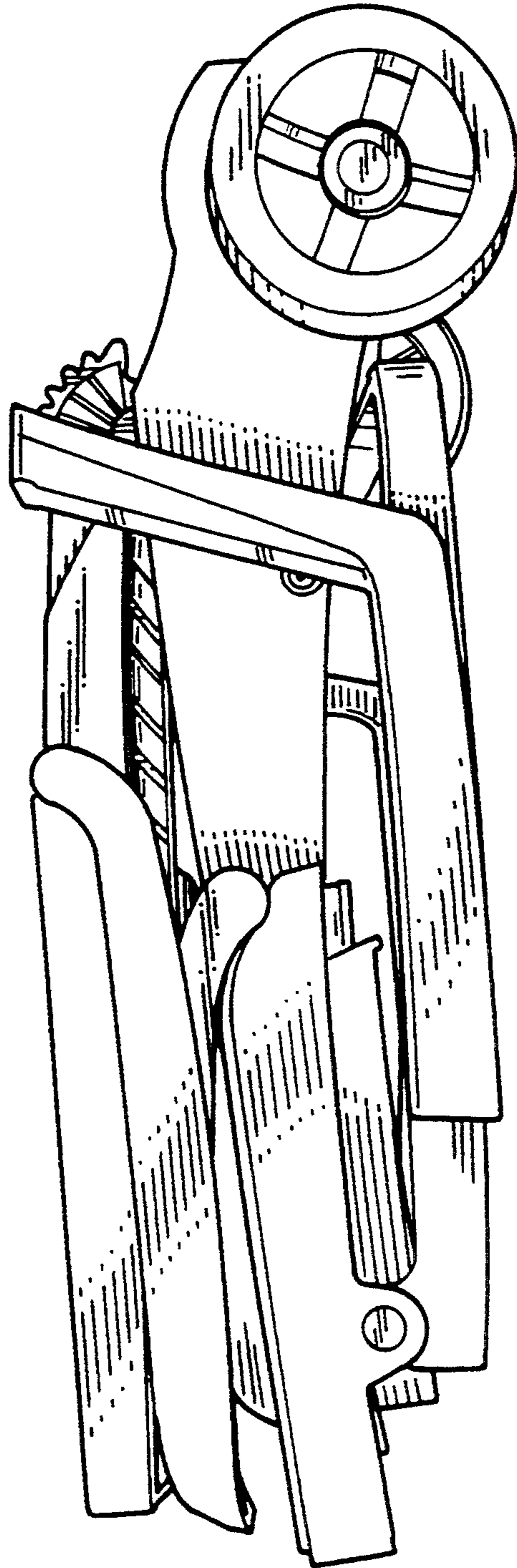


FIG. 8