



US00D360075S

United States Patent [19]

[11] Patent Number: **Des. 360,075**

Cross et al.

[45] Date of Patent: **** Jul. 11, 1995**

- [54] **COMPACT COMPUTER CARRYING CASE**
- [75] Inventors: **Claire Cross**, Boulder, Colo.; **Sarah Kelley**, San Francisco, Calif.
- [73] Assignee: **Kensington Microware Limited**, San Mateo, Calif.
- [**] Term: **14 Years**
- [21] Appl. No.: **18,325**
- [22] Filed: **Feb. 3, 1994**
- [52] U.S. Cl. **D3/276; D3/289; D3/301**
- [58] Field of Search **D3/273, 276, 283, 287, D3/289, 301, 290, 902, 900; 190/100, 103, 115, 111, 900, 902, 903**

- 4,989,926 2/1991 Snow, Jr. .
- 5,002,184 3/1991 Lloyd .
- 5,010,988 4/1991 Brown .
- 5,011,198 4/1991 Gruenberg et al. .
- 5,074,413 12/1991 Ikuta et al. .
- 5,103,975 4/1992 Liu 206/279
- 5,105,335 4/1992 Honda .
- 5,105,338 4/1992 Held .
- 5,160,001 11/1992 Marceau .
- 5,163,560 11/1992 Parrish, Jr. et al. .
- 5,186,375 2/1993 Plonk .
- 5,214,574 5/1993 Chang .
- 5,217,119 6/1993 Hollingsworth .

[56] **References Cited**

U.S. PATENT DOCUMENTS

- D. 189,711 1/1961 Mayer D3/290
- D. 260,202 8/1981 Middleton, Jr. .
- D. 262,074 12/1981 Schnabel .
- D. 276,580 12/1984 Mandl .
- D. 284,527 7/1986 Davis .
- D. 291,027 7/1987 Hirooka .
- D. 291,201 8/1987 Weisel, Jr. et al. .
- D. 292,748 11/1987 Aflen D3/900
- D. 293,391 12/1987 Preston .
- D. 319,145 8/1991 Goude D3/289 X
- D. 323,743 2/1992 DiSessa et al. .
- D. 324,453 3/1992 DiSessa et al. .
- D. 335,030 4/1993 Alfonso .
- D. 338,104 8/1993 Lee D3/289 X
- 1,666,878 4/1928 Johnson D3/900 X
- 3,904,003 9/1975 Margerum .
- 4,470,488 9/1984 Broussard .
- 4,560,066 12/1985 Croteau .
- 4,760,492 7/1988 Walsh .
- 4,790,431 12/1988 Reel et al. .
- 4,837,590 6/1989 Sprague .
- 4,852,498 8/1989 Judd .
- 4,895,231 1/1990 Yamaguchi et al. .
- 4,896,427 1/1990 Smith et al. .
- 4,896,776 1/1990 Kabanuk et al. .

OTHER PUBLICATIONS

Packaging materials for Kensington NoteBook Traveler Executive carrying case.
 Packaging materials for Kensington Notebook Traveler Deluxe carrying case.

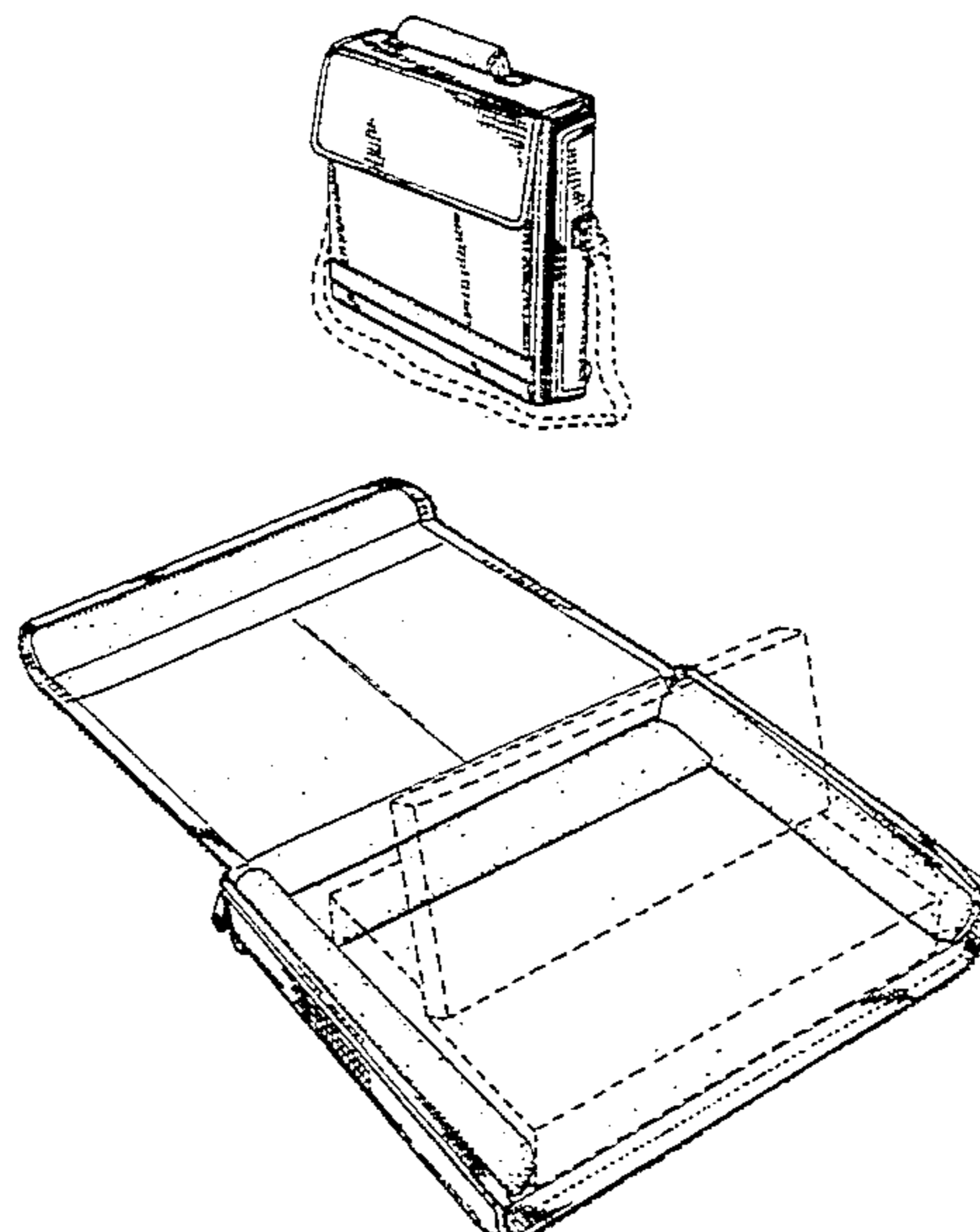
Primary Examiner—Theodore M. Shooman
Assistant Examiner—Dominic Simone
Attorney, Agent, or Firm—Townsend and Townsend Khourie and Crew

[57] **CLAIM**

The ornamental design for a compact computer carrying case, as shown and described.

DESCRIPTION

FIG. 1 is a perspective view of a compact computer carrying case showing our new design, the shoulder strap and attachments shown in broken lines for illustrative purposes only;
 FIG. 2 is an enlarged top plan view thereof;
 FIG. 3 is an enlarged front elevational view thereof;
 FIG. 4 is an enlarged right side elevational view thereof;
 FIG. 5 is an enlarged left side elevational view thereof;
 FIG. 6 is an enlarged rear elevational view thereof;
 FIG. 7 is an enlarged bottom plan view thereof; and,
 FIG. 8 is an enlarged perspective view thereof, in an open position, the laptop computer shown in broken lines for illustrative purposes only.



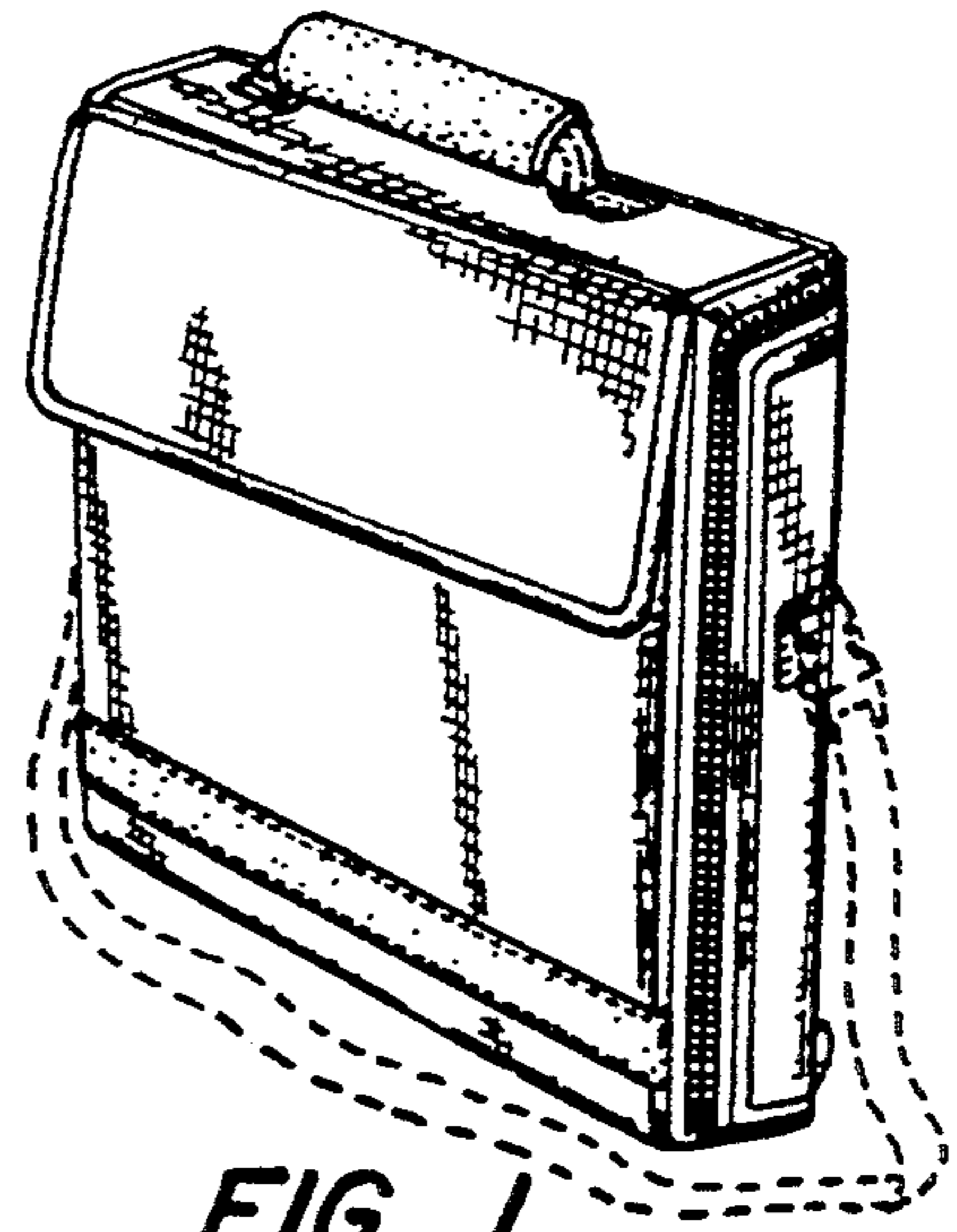


FIG. 1.

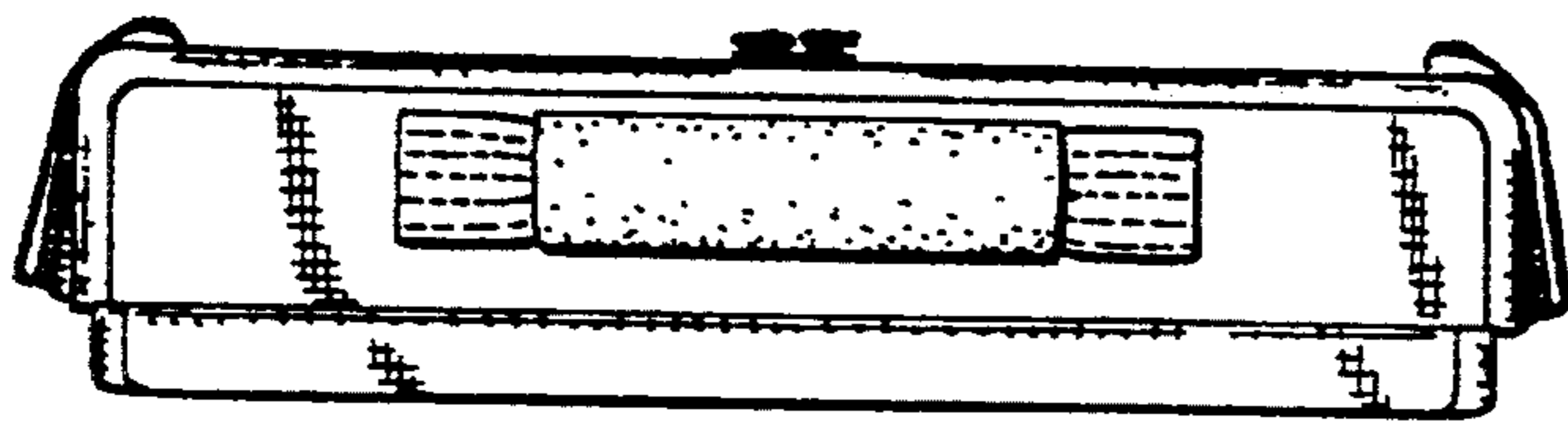


FIG. 2.

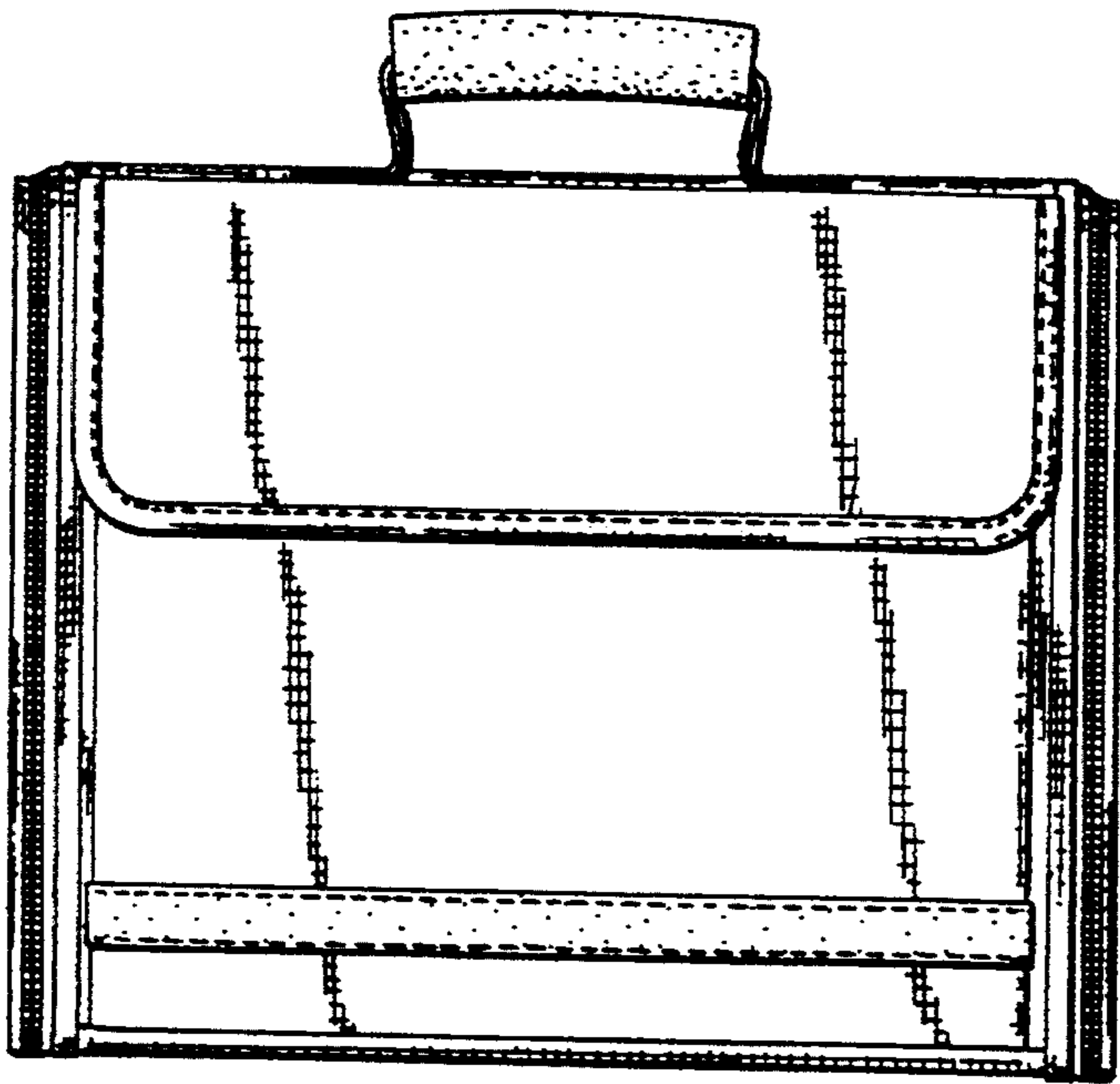


FIG. 3.

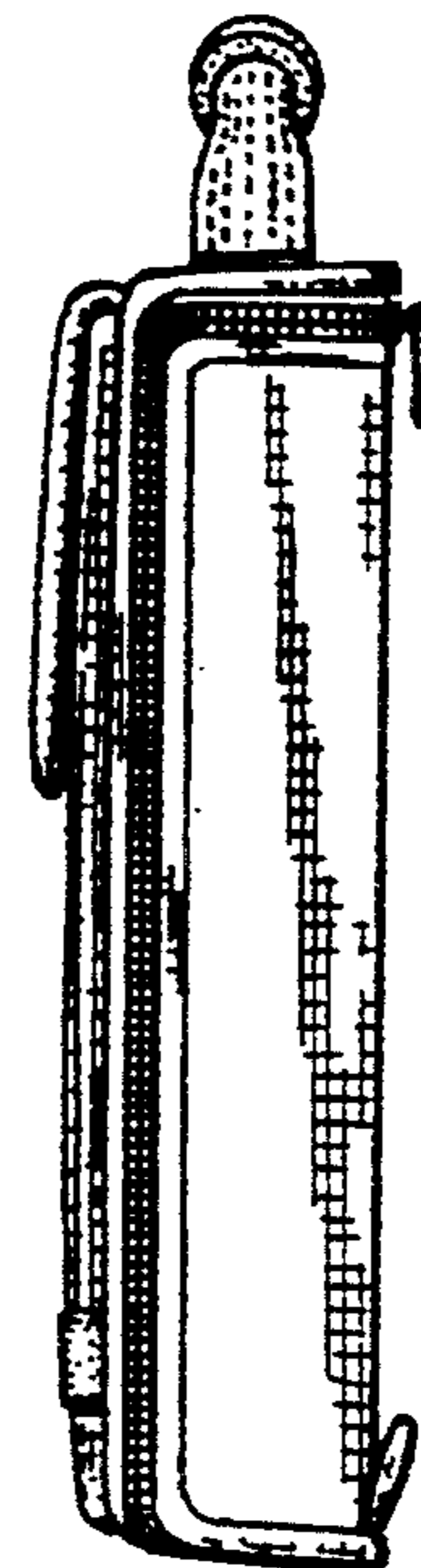


FIG. 4.

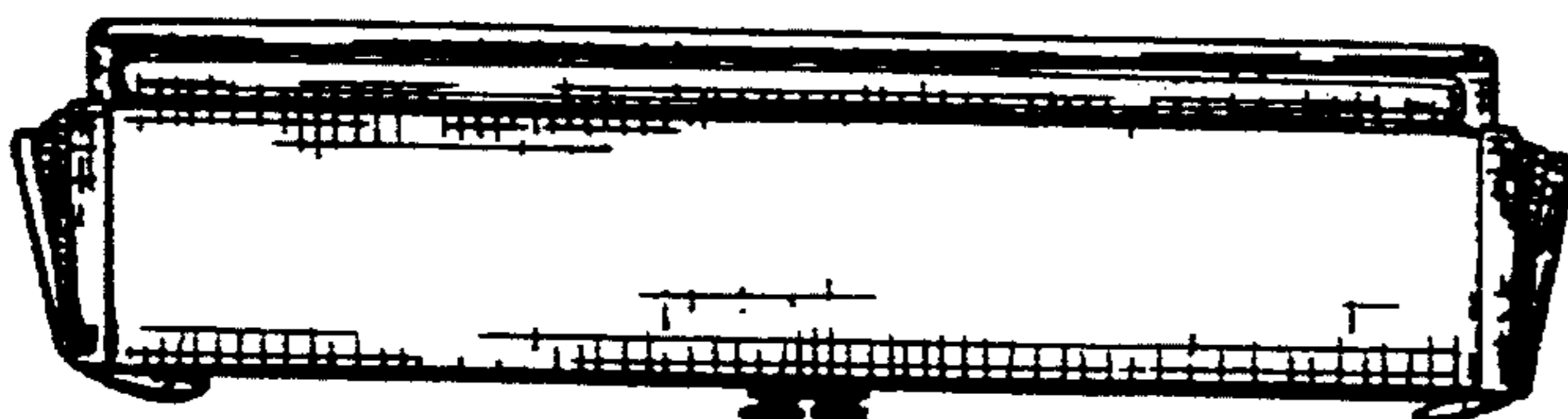


FIG. 7.

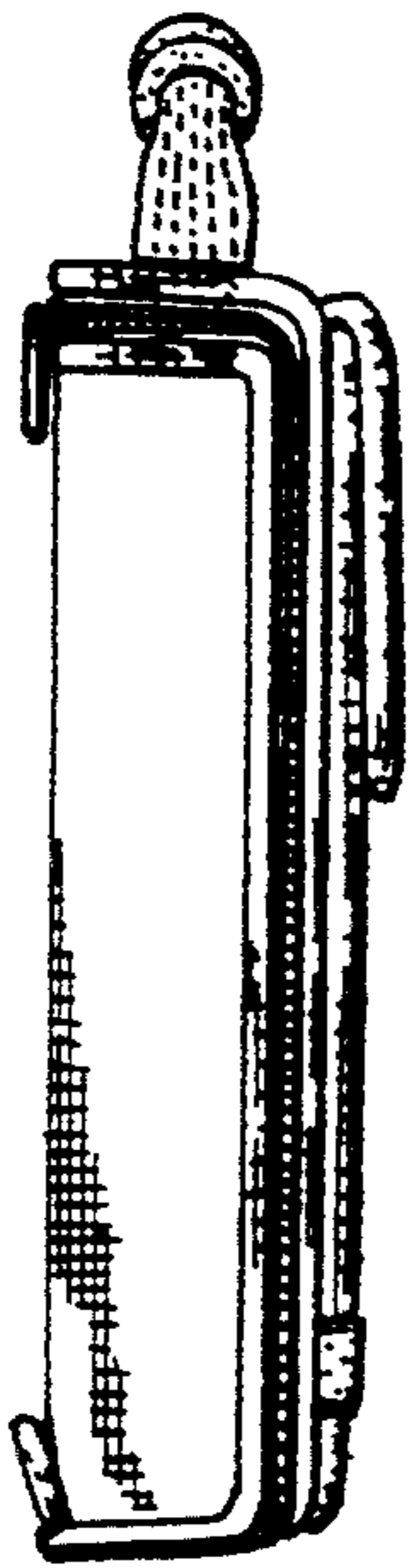


FIG. 5.

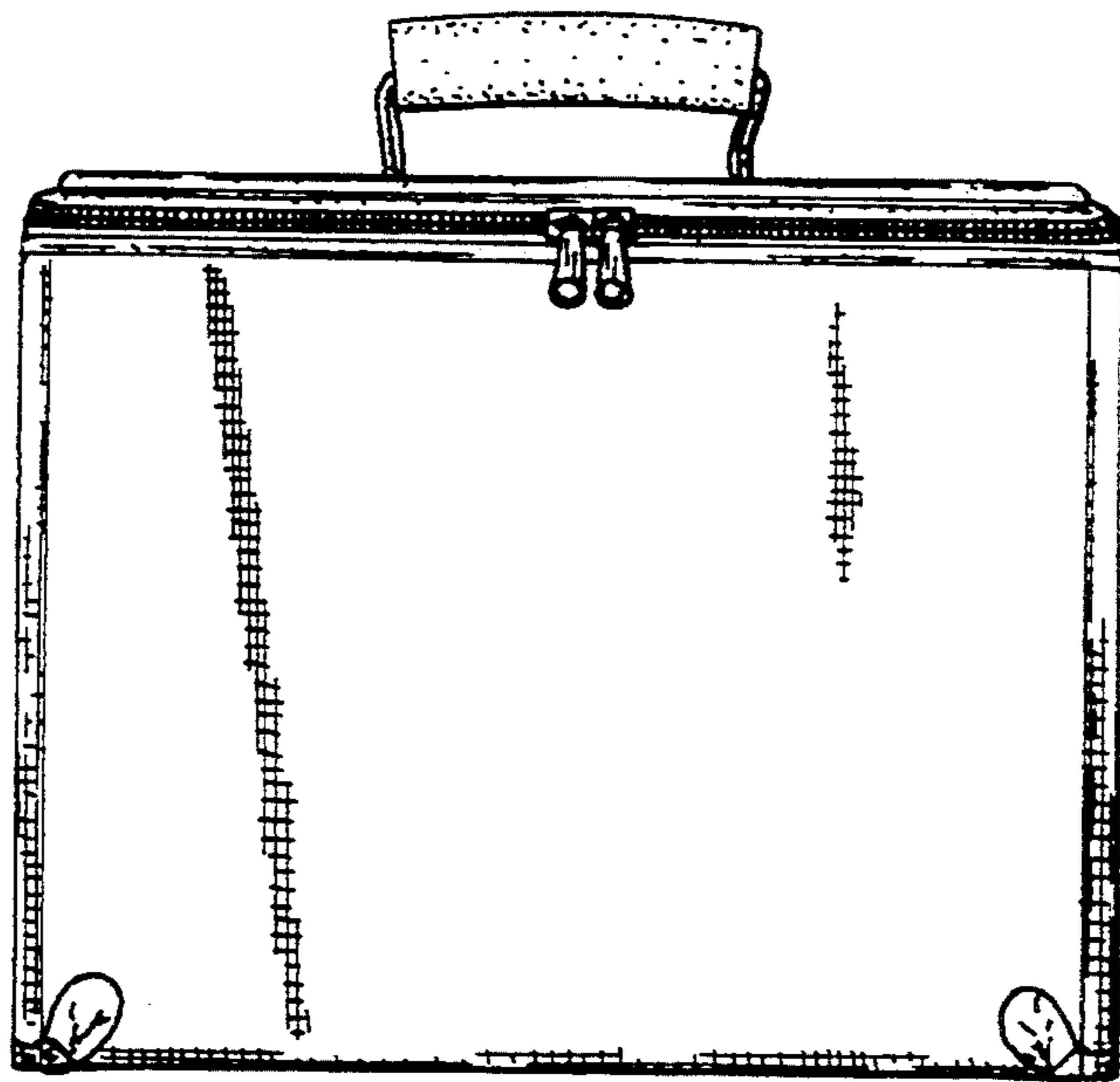


FIG. 6.

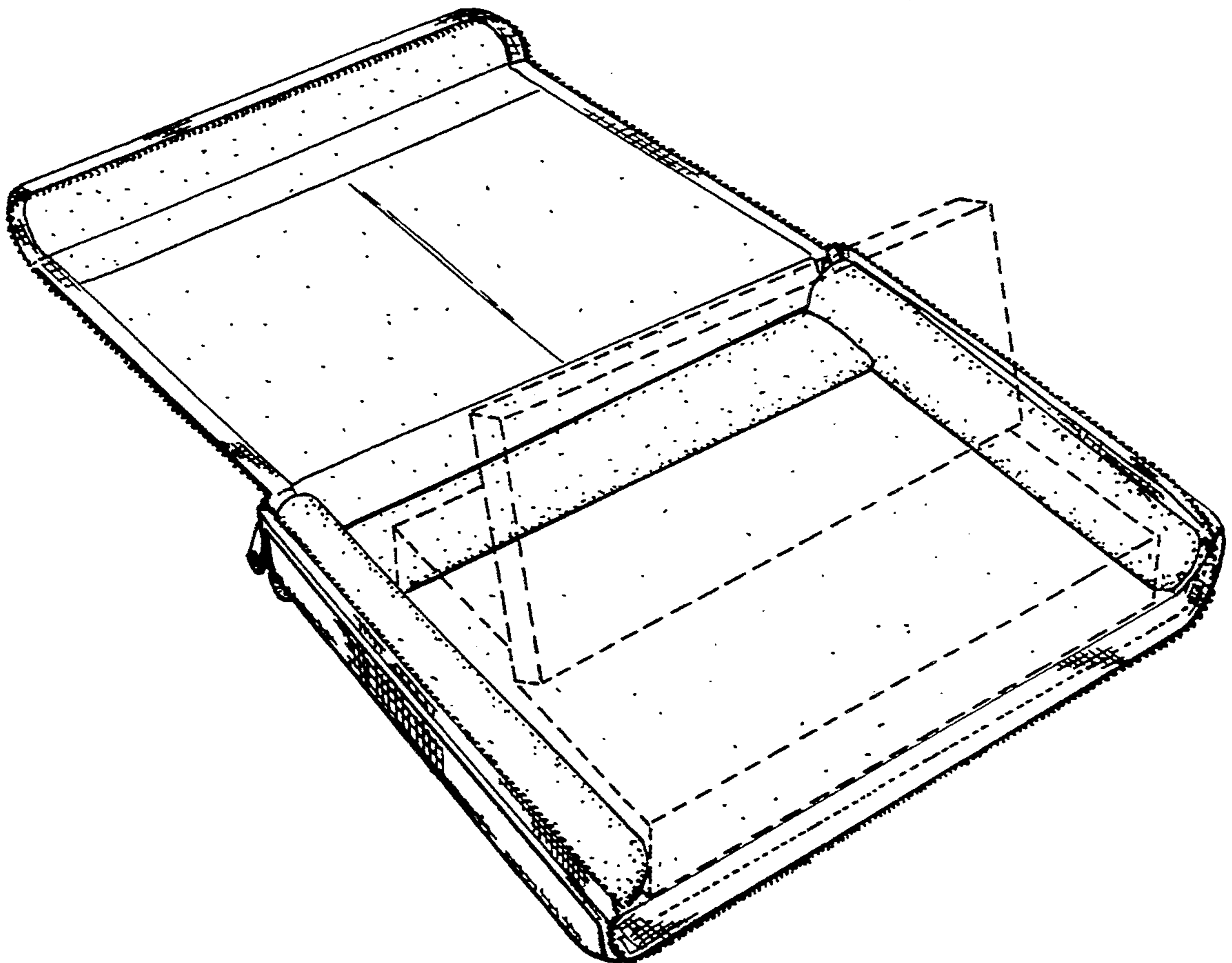


FIG. 8.