



US00D360074S

United States Patent [19]

[11] Patent Number: **Des. 360,074**

More

[45] Date of Patent: **** Jul. 11, 1995**

[54] **NOVELTY CASH CONCEALMENT WALLET**

Primary Examiner—Louis S. Zarfus
Attorney, Agent, or Firm—David L. Baker; Rhodes & Ascolillo

[76] Inventor: **Jay L. More**, 6300 12th Ave. South, Richfield, Minn. 55423

[57] **CLAIM**

[**] Term: **14 Years**

The ornamental design for a novelty cash concealment wallet, as shown and described.

[21] Appl. No.: **15,328**

DESCRIPTION

[22] Filed: **Nov. 15, 1993**

[52] U.S. Cl. **D3/248; D3/251**

[58] Field of Search **D3/247-253; 150/131-149**

FIG. 1 is a perspective view of a novelty cash concealment wallet showing my new design therefor;

FIG. 2 is a perspective view of FIG. 1 in its fully folded configuration;

FIG. 3 is a top plan view of a novelty cash concealment wallet in its fully unfolded configuration;

FIG. 4 is a left-side elevational view;

FIG. 5 is a front elevational view;

FIG. 6 is a right-side elevational view;

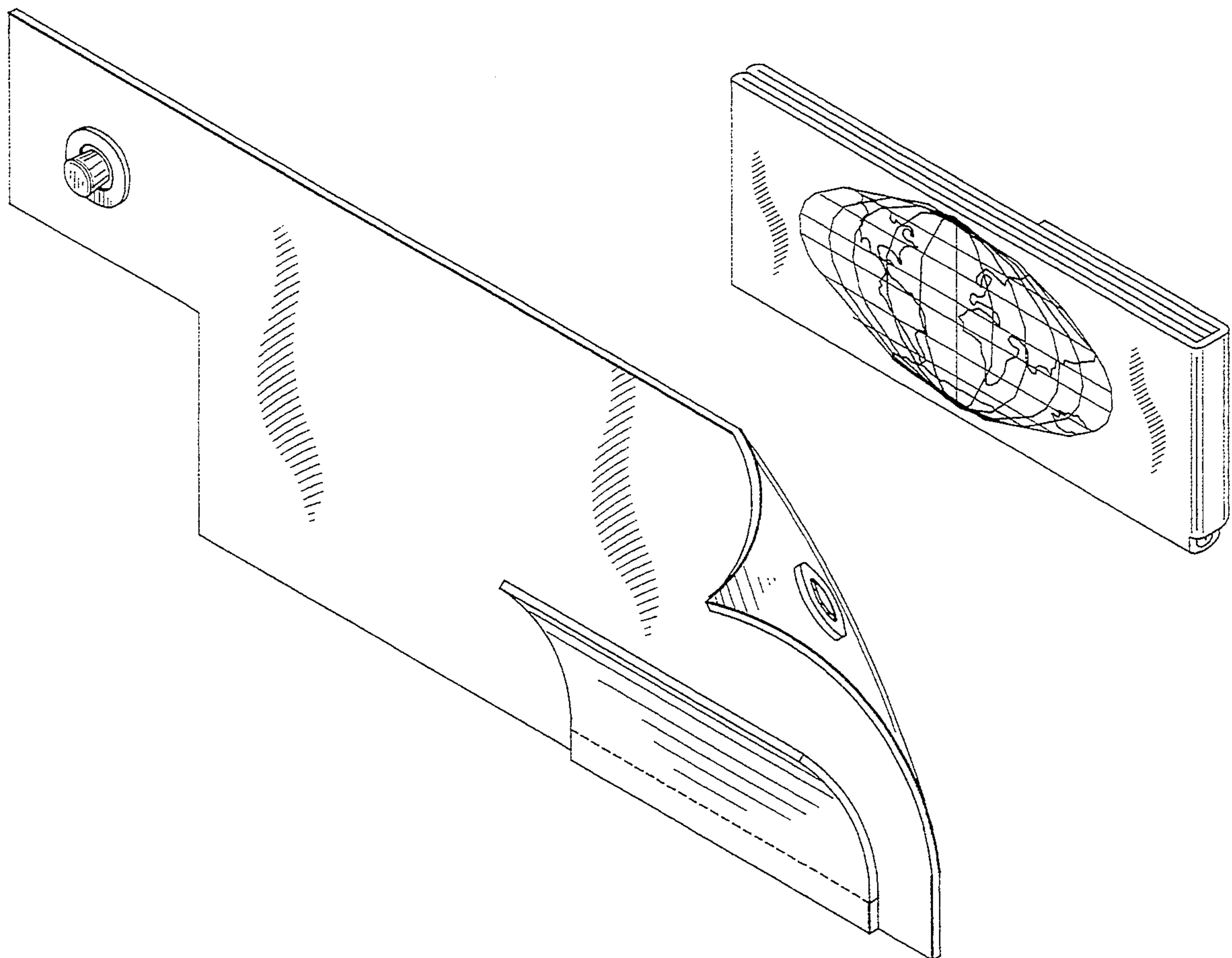
FIG. 7 is a bottom plan view; and,

FIG. 8 is a rear elevational view.

[56] **References Cited**

U.S. PATENT DOCUMENTS

D. 138,035	6/1944	Becker	D3/249
D. 330,632	11/1992	Hensley	D3/251
724,237	3/1903	Armstrong	150/143 X
4,824,703	4/1989	Bernard	150/132 X



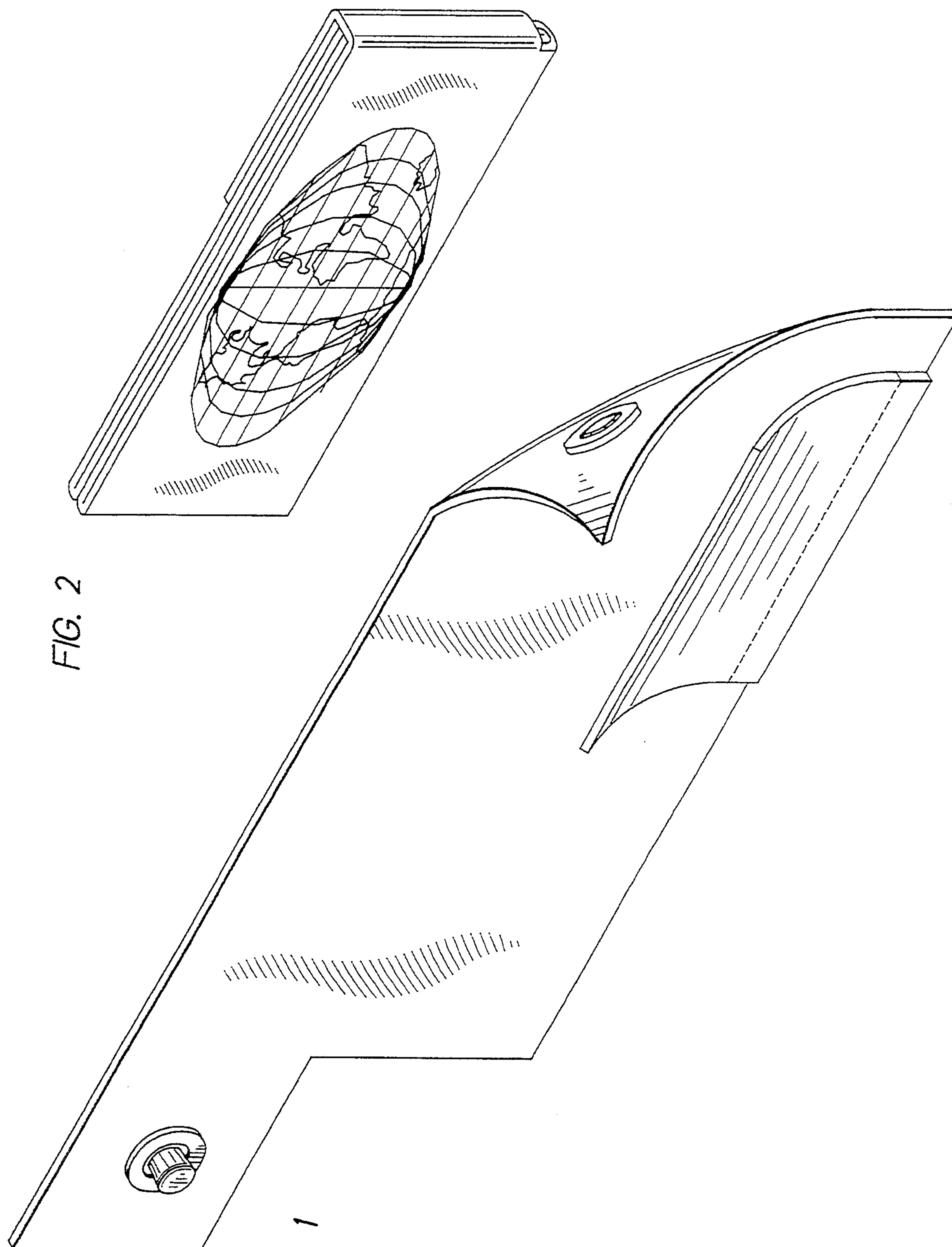


FIG. 2

FIG. 1

FIG. 3

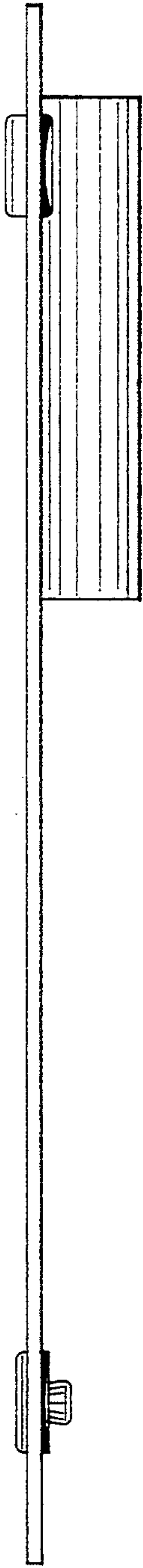


FIG. 4

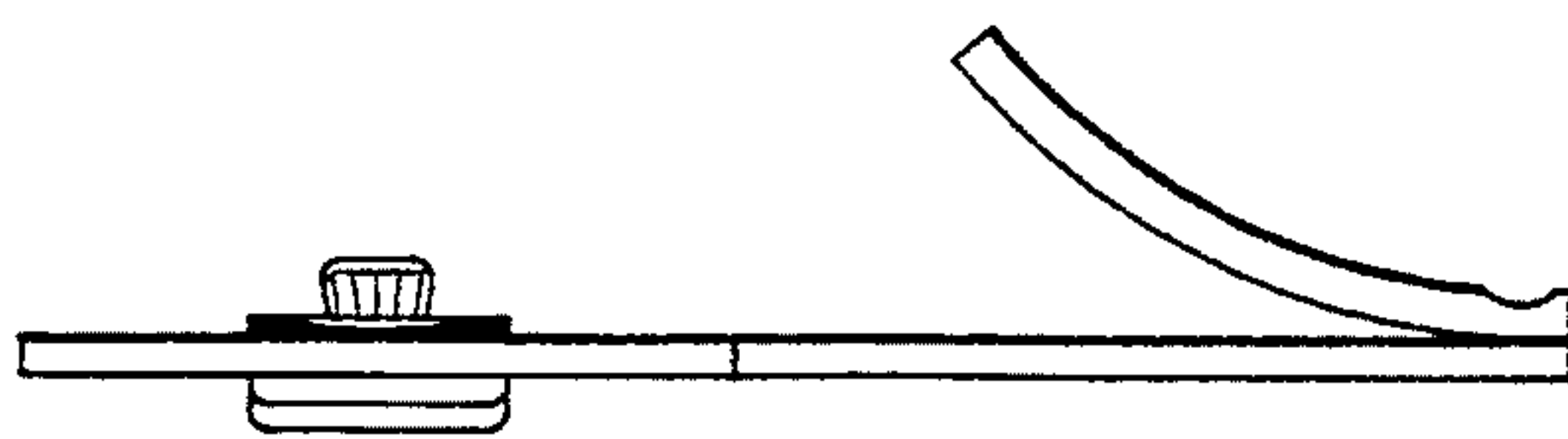


FIG. 5

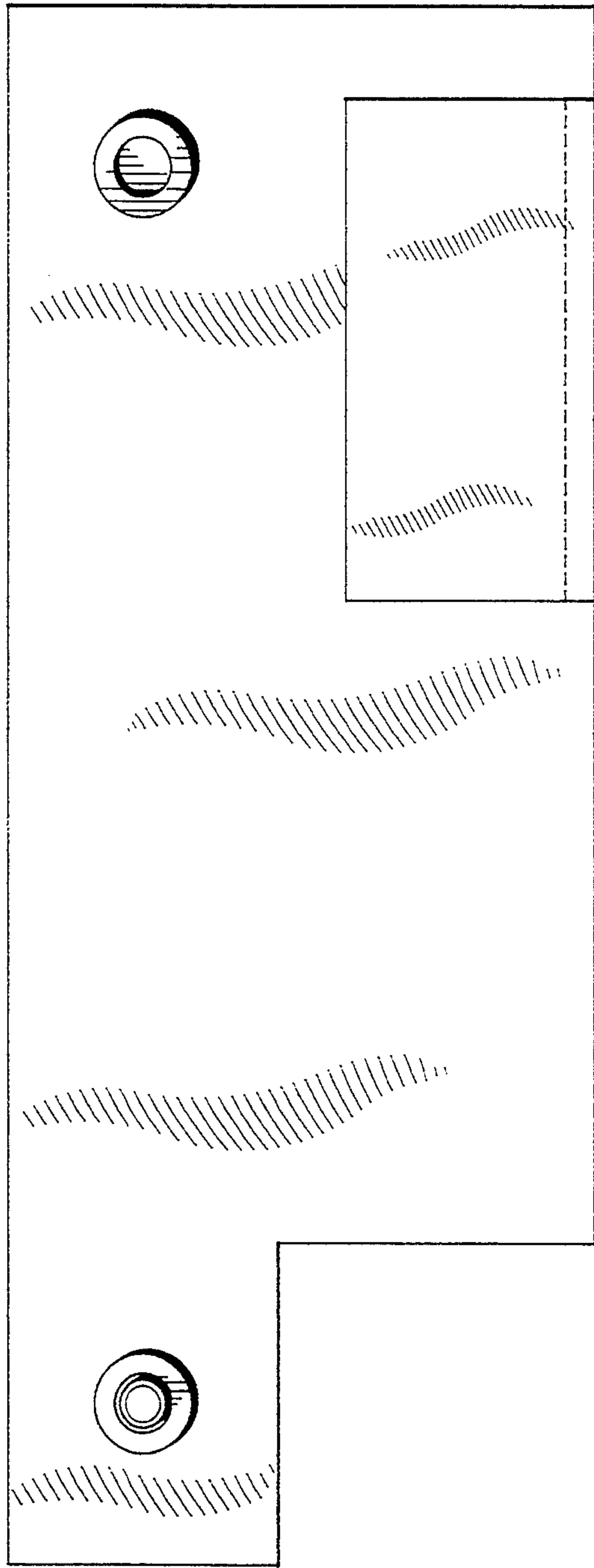


FIG. 6

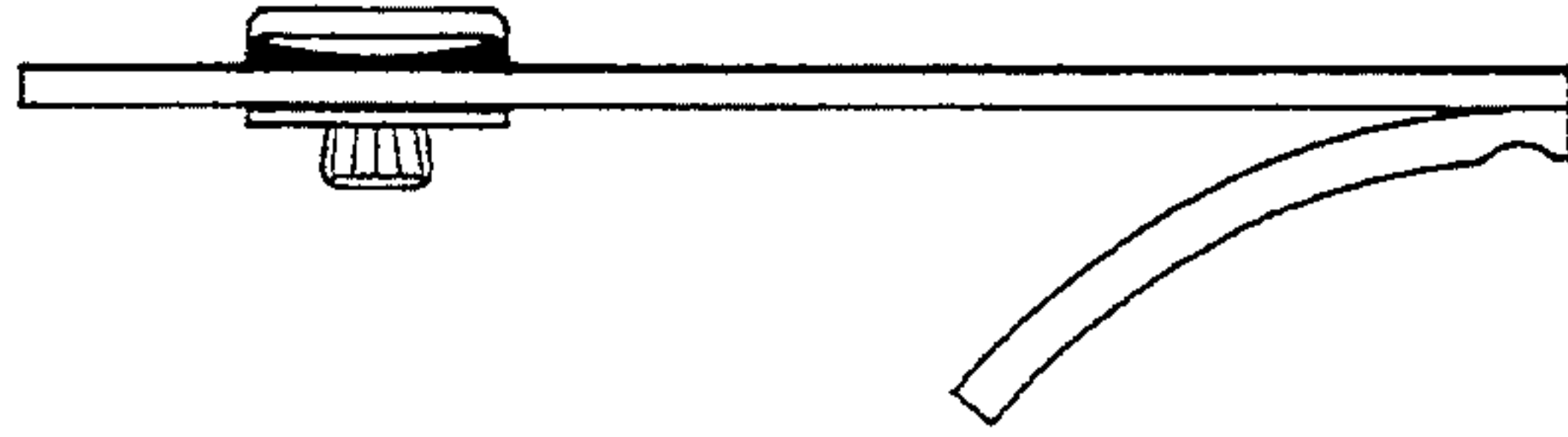
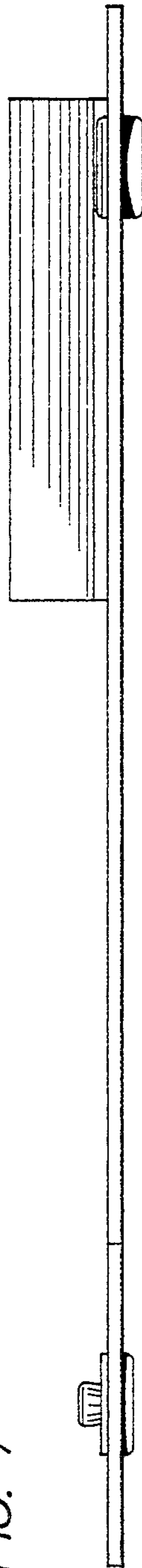


FIG. 7



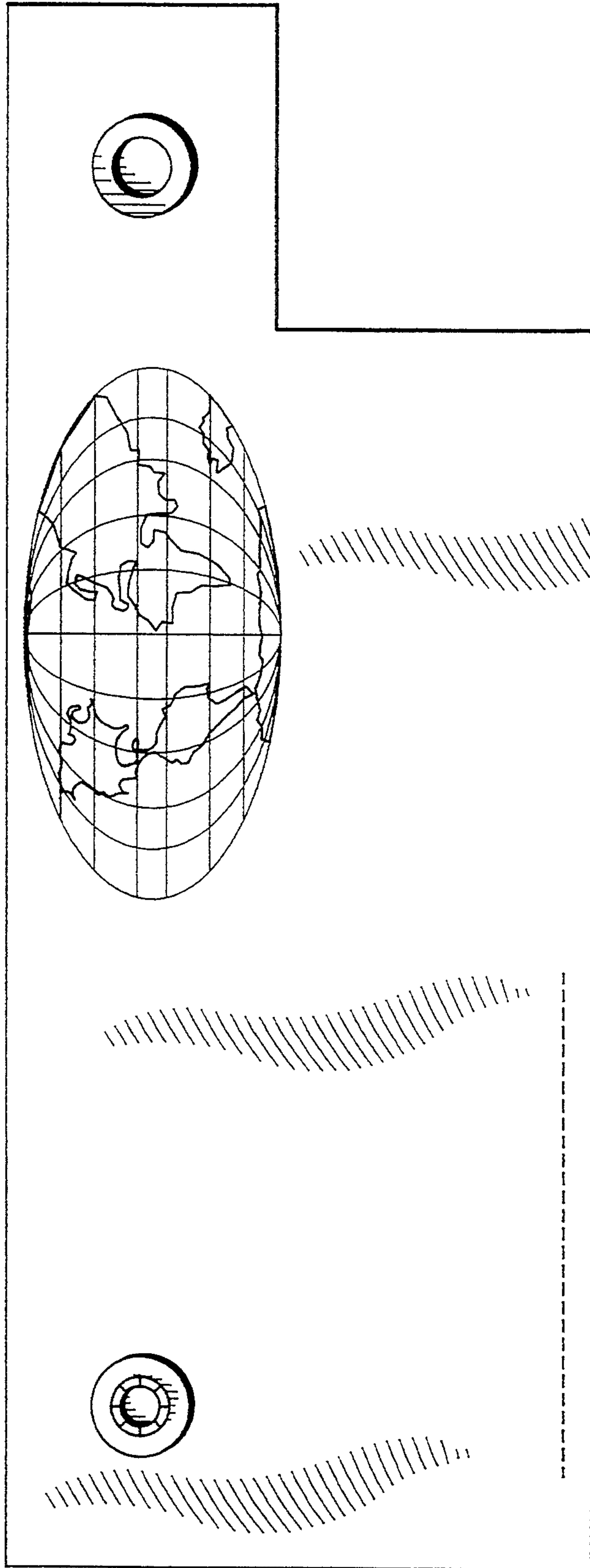


FIG. 8