



US00D360073S

# United States Patent [19]

[11] Patent Number: **Des. 360,073**

Schrader et al.

[45] Date of Patent: **\*\* Jul. 11, 1995**

[54] **COMBINED BELT AND RADIO STORAGE POCKET**

[76] Inventors: **Anita M. Schrader; Conard E. Schrader**, both of 950 Alameda Ave., Astoria, Oreg. 97103

[\*\*] Term: **14 Years**

[21] Appl. No.: **16,437**

[22] Filed: **Dec. 16, 1993**

[52] U.S. Cl. .... **D3/226**

[58] Field of Search ..... **D3/226, 215, 218, 224, D3/225, 230, 242, 243, 251; 224/242, 222, 224, 195, 219, 196, 197, 240, 241, 223, 226, 227, 236, 191, 199, 151; D2/702, 706**

[56] **References Cited**

**U.S. PATENT DOCUMENTS**

D. 104,572	5/1937	Lewis .....	D3/224
D. 278,761	5/1985	Fuller .....	D3/106
D. 280,146	8/1985	Liautaud .....	D3/106
D. 348,565	7/1994	Cummins .....	D3/215
D. 351,060	10/1994	Randazzo .....	D3/218
1,845,705	2/1932	Franz .....	224/199

2,837,259	6/1958	Blanchard .....	224/199
4,327,853	5/1982	Adams .....	224/224
4,485,946	12/1984	Liautaud et al. ....	224/242
4,569,465	2/1986	O'Farrell .....	224/224
4,620,653	11/1986	Farrell .....	224/219
4,998,653	3/1991	LaBelle .....	224/151

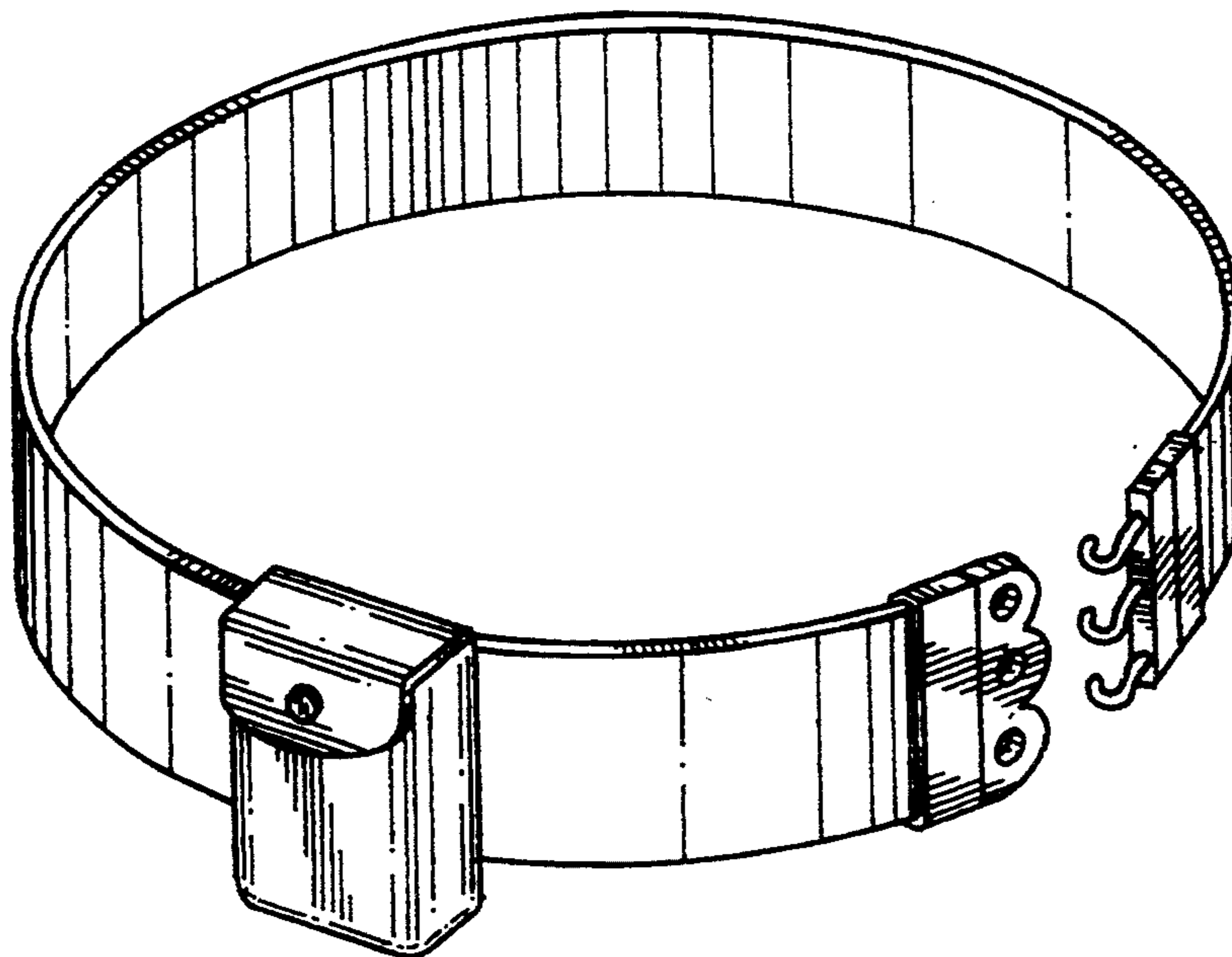
*Primary Examiner*—A. Hugo Word  
*Assistant Examiner*—Catherine R. Oliver  
*Attorney, Agent, or Firm*—Terry M. Gernstein

[57] **CLAIM**

The ornamental design for a combined belt and radio storage pocket, as shown and described.

**DESCRIPTION**

FIG. 1 is a front, top and side perspective view of a combined belt and radio storage pocket showing our new design, in an unhooked condition;  
FIG. 2 is a front elevational view thereof in a planar condition;  
FIG. 3 is a rear elevational view thereof;  
FIG. 4 is a side elevational view thereof;  
FIG. 5 is a side elevational view thereof;  
FIG. 6 is a top plan view thereof; and,  
FIG. 7 is a bottom plan view thereof.



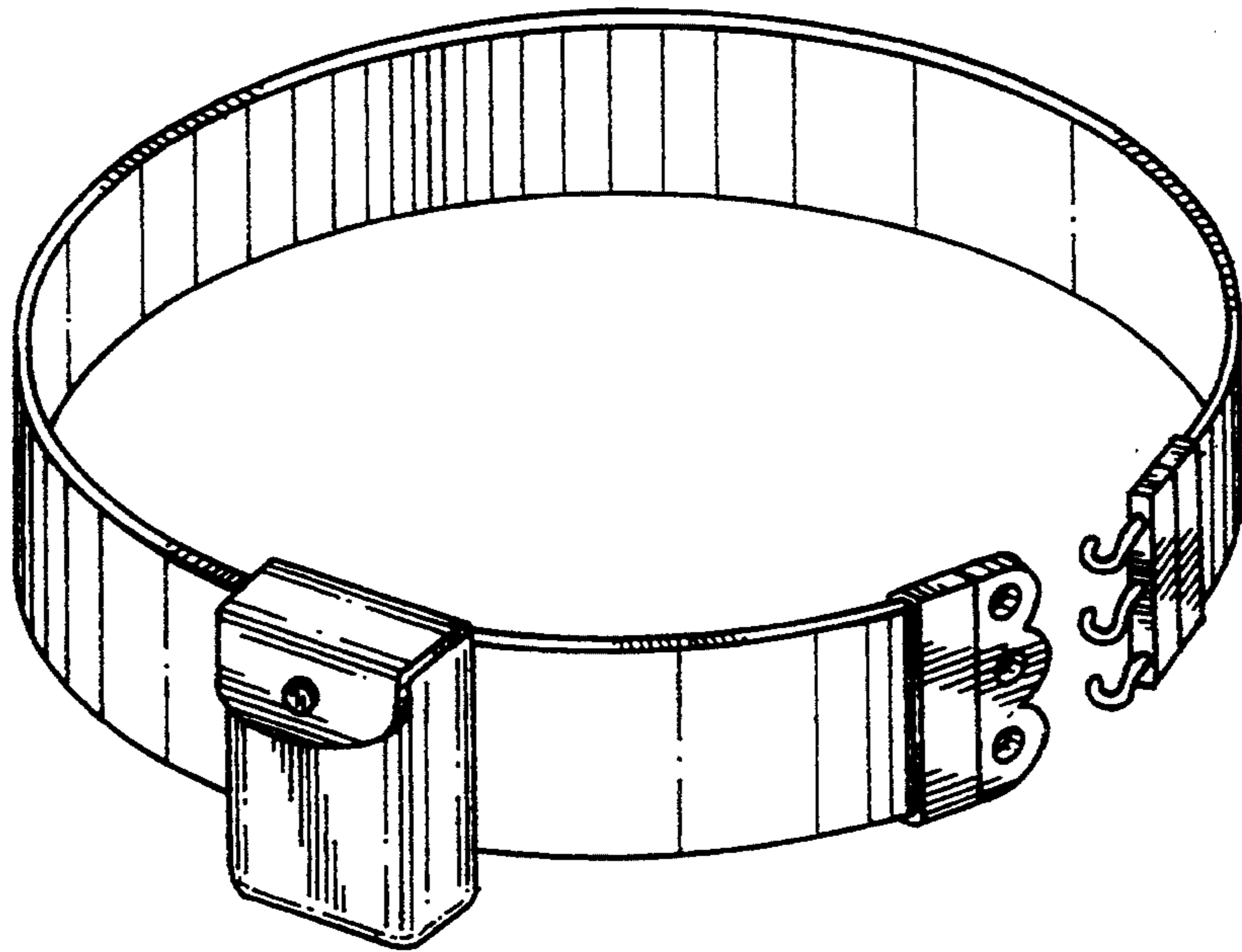


FIG. 1.

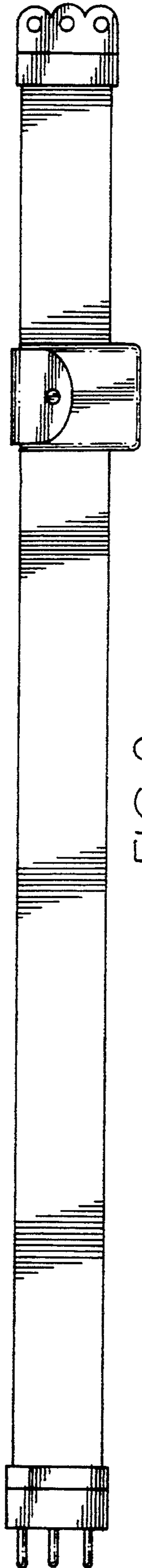


FIG. 2.

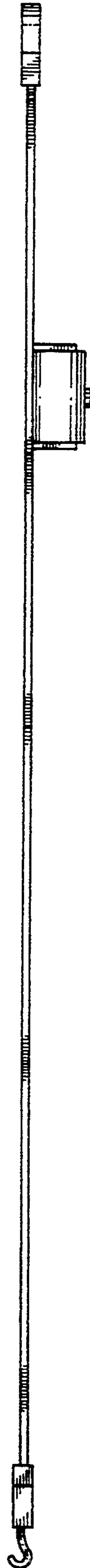


FIG. 6.

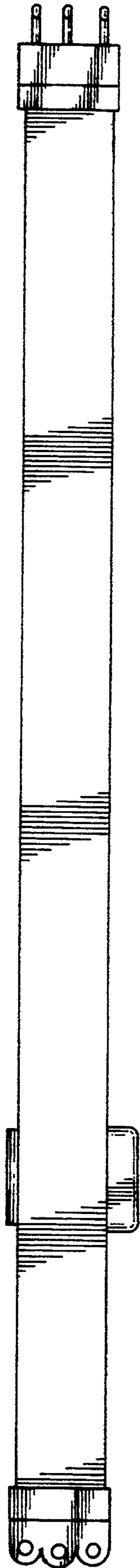


FIG. 3.



FIG. 7.



FIG. 4.

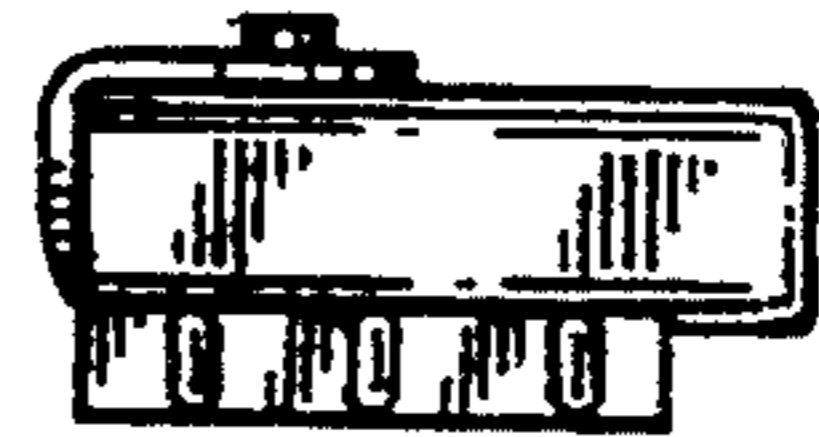


FIG. 5.