



US00D360071S

**United States Patent** [19]  
**Haddock**

[11] **Patent Number: Des. 360,071**

[45] **Date of Patent: \*\* Jul. 11, 1995**

[54] **BACKPACK FRAME BRACKET**  
[75] **Inventor: Richard S. Haddock, Endwell, N.Y.**  
[73] **Assignee: Johnson Camping, Inc., Binghamton, N.Y.**  
[\*\*] **Term: 14 Years**  
[21] **Appl. No.: 18,440**  
[22] **Filed: Feb. 7, 1994**  
[52] **U.S. Cl. .... D3/216**  
[58] **Field of Search ..... D11/200; D3/215, 216, D3/217; D26/138; 224/153, 154, 157; 248/682, 200, 205.1, 225.31; D8/345; D6/502**

D. 352,822 11/1994 Lewis ..... D3/216  
4,438,876 3/1984 Ward ..... 224/154  
4,690,314 9/1987 Falconer et al. .... 224/153

*Primary Examiner*—Ralf T. Seifert  
*Attorney, Agent, or Firm*—Foley & Lardner

[57] **CLAIM**

The ornamental design for a backpack frame bracket, as shown and described.

**DESCRIPTION**

FIG. 1 is a perspective view of a backpack frame bracket showing my new design;  
FIG. 2 is a front elevational view thereof;  
FIG. 3 is a left side elevational view, the right side is a mirror image of the left side elevational view;  
FIG. 4 is a top plan view thereof;  
FIG. 5 is a rear elevational view thereof; and,  
FIG. 6 is a bottom plan view thereof.

[56] **References Cited**  
**U.S. PATENT DOCUMENTS**  
D. 305,098 12/1989 Crowle et al. .... D3/216

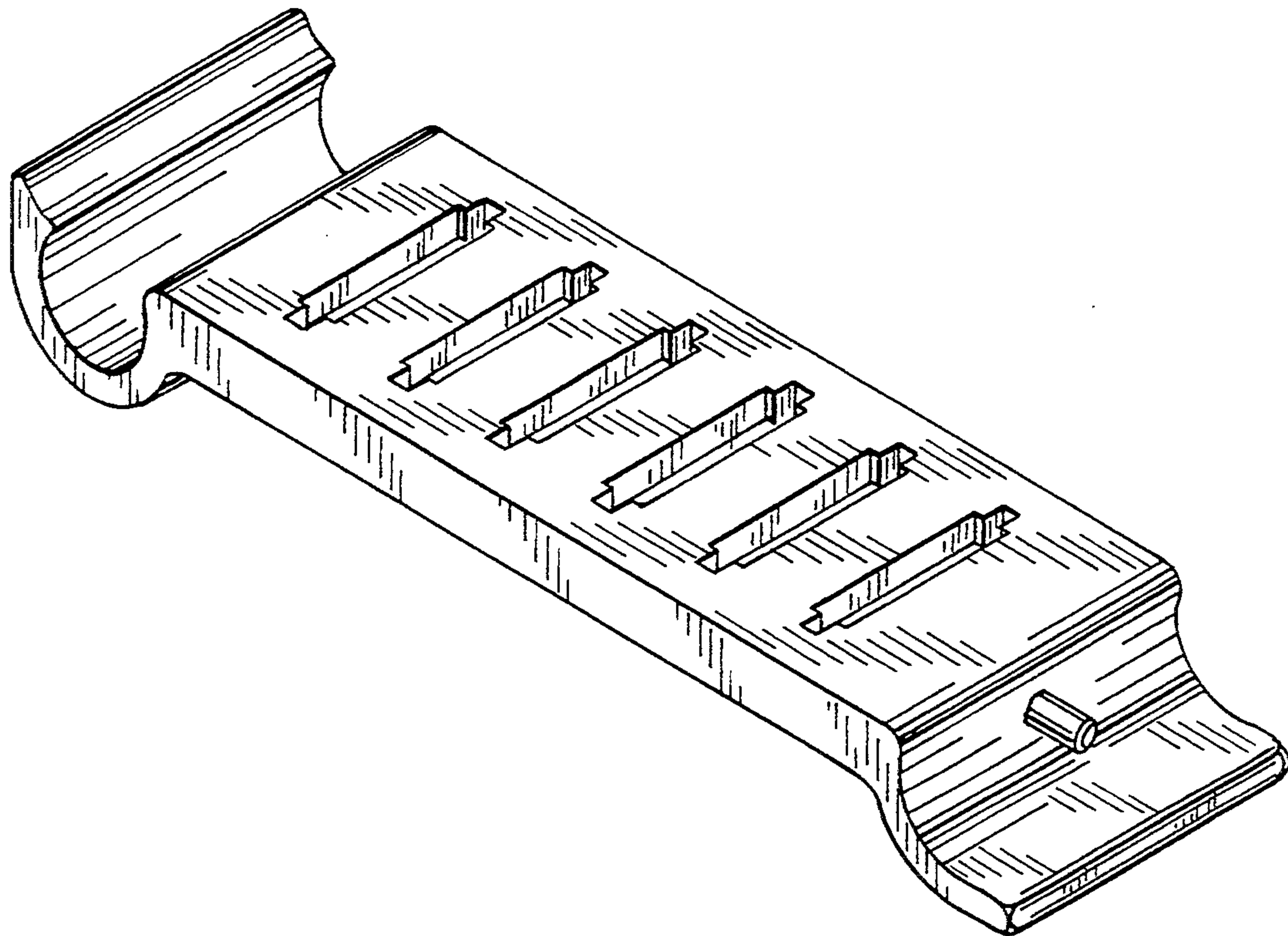


FIG. 1

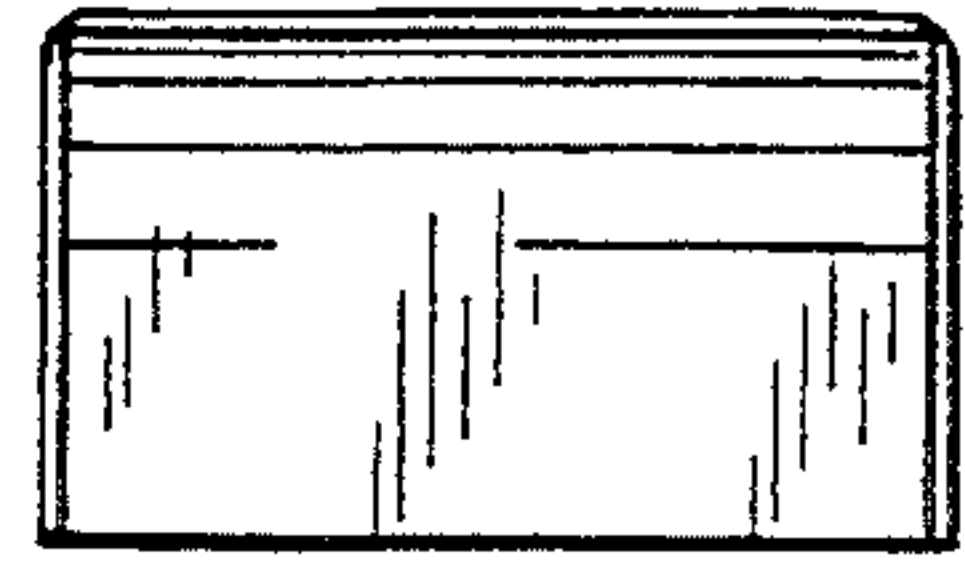
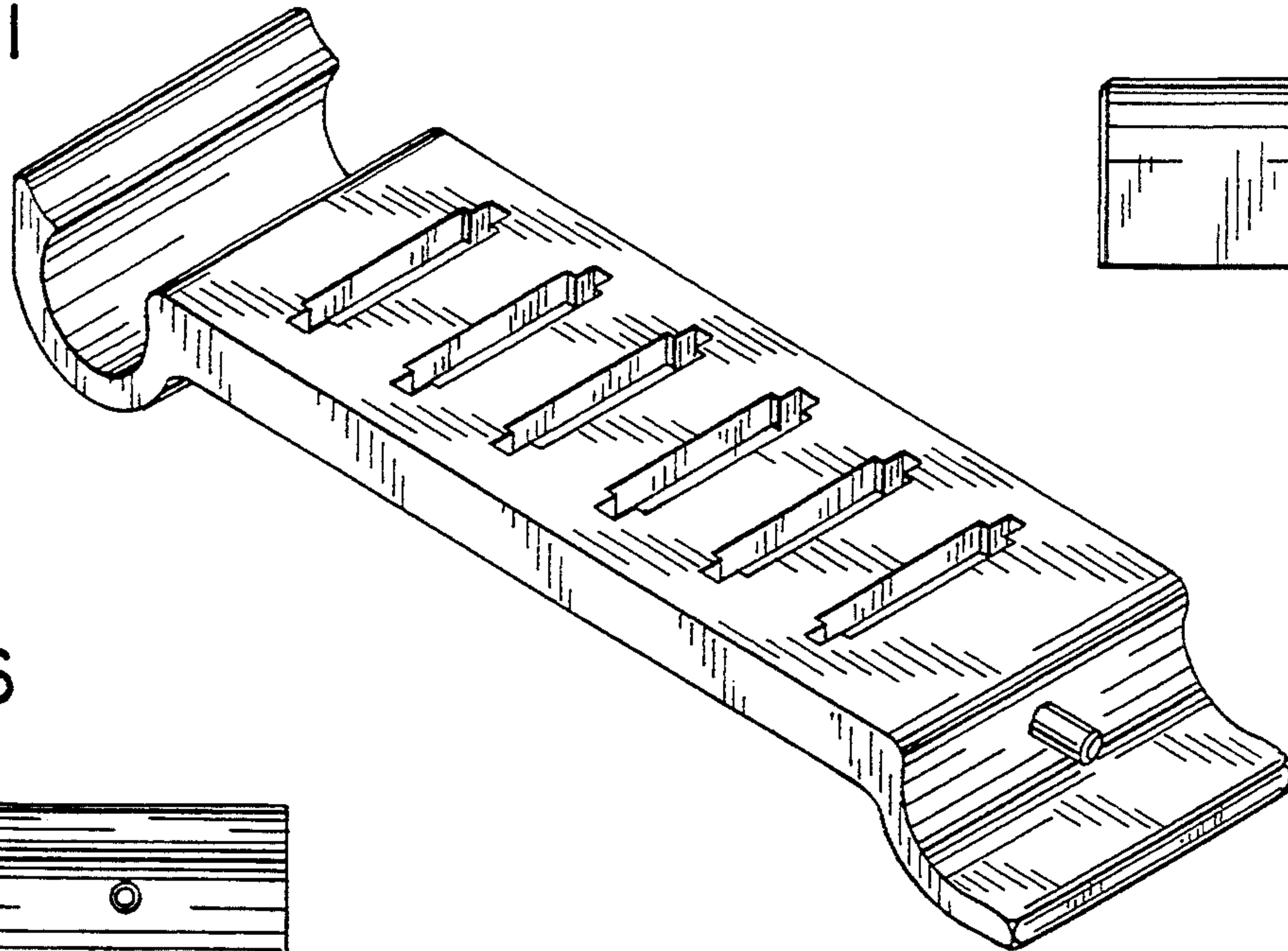


FIG. 4

FIG. 6

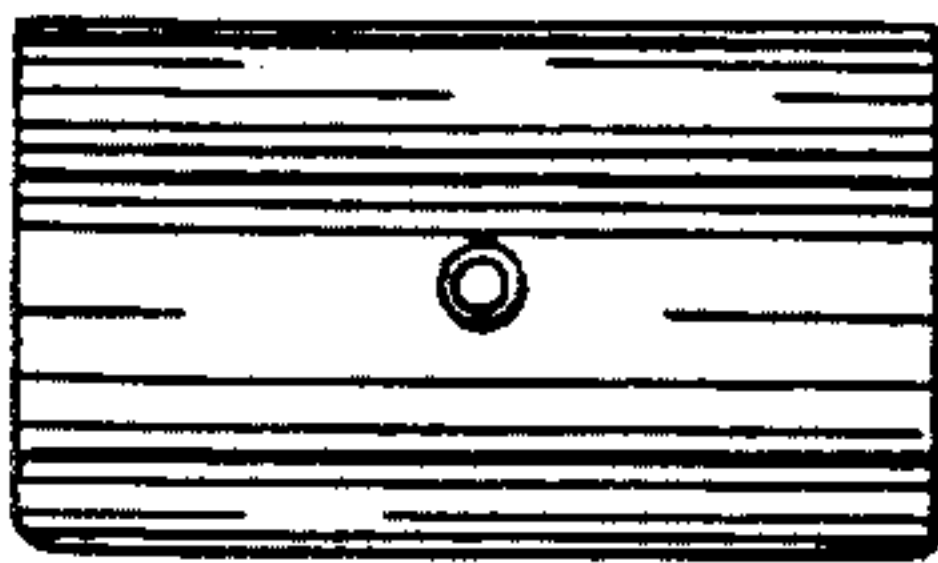


FIG. 5

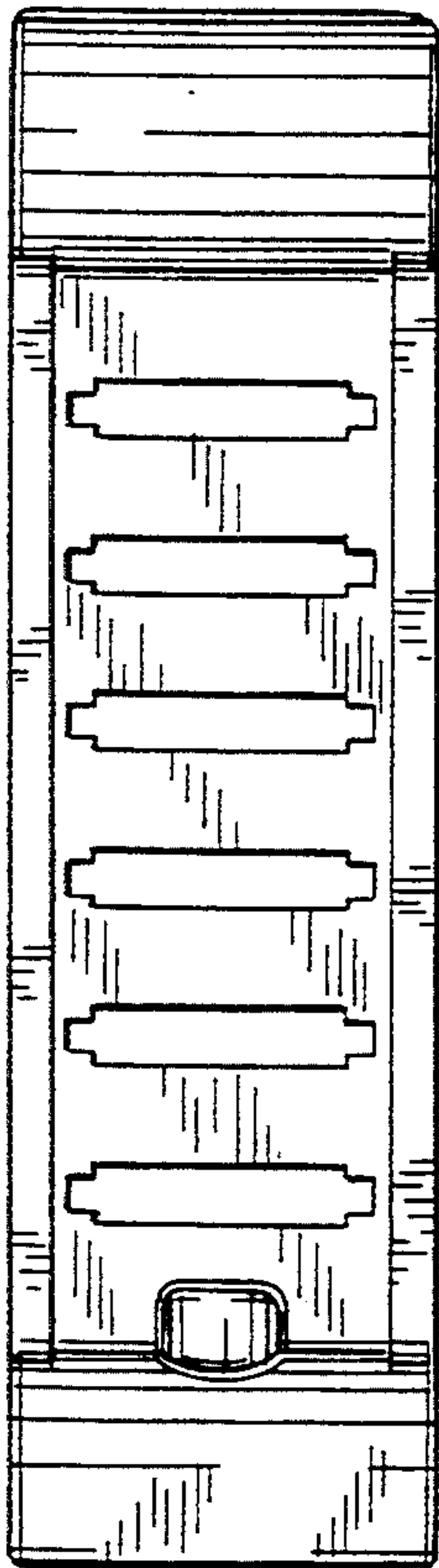


FIG. 3



FIG. 2

