



US00D360068S

United States Patent [19] Hambleton et al.

[11] Patent Number: **Des. 360,068**
[45] Date of Patent: **** Jul. 11, 1995**

[54] **INTRAOCULAR LENS CASE**
[75] Inventors: **Robert Hambleton, Plano; Stephen J. Van Noy, Fort Worth, both of Tex.**
[73] Assignee: **Alcon Laboratories, Inc., Fort Worth, Tex.**
[**] Term: **14 Years**
[21] Appl. No.: **20,225**
[22] Filed: **Mar. 22, 1994**
[52] U.S. Cl. **D3/203; D24/218**
[58] Field of Search **D3/201, 203, 205, 207, D3/208, 210, 212, 230, 247, 249, 250, 253, 264, 273, 274, 276, 281-284, 286, 287, 290-296, 299, 303-305, 307-329, 900-904, 206, 302; 206/5.1, 45.24, 69, 235, 238, 305, 362.1, 362, 372, 373, 376, 443, 457, 565, 581, 823, 263, 264; D16/331; D24/217, 218**

5,281,227 1/1994 Sussman .
5,290,293 3/1994 Van Noy et al. .
5,292,488 3/1994 Cerola et al. 206/5.1 X
5,383,550 1/1995 Tsao 206/5.1

Primary Examiner—Louis S. Zarfes
Assistant Examiner—Monica A. Hannon
Attorney, Agent, or Firm—Jeffrey S. Schira

[57] CLAIM

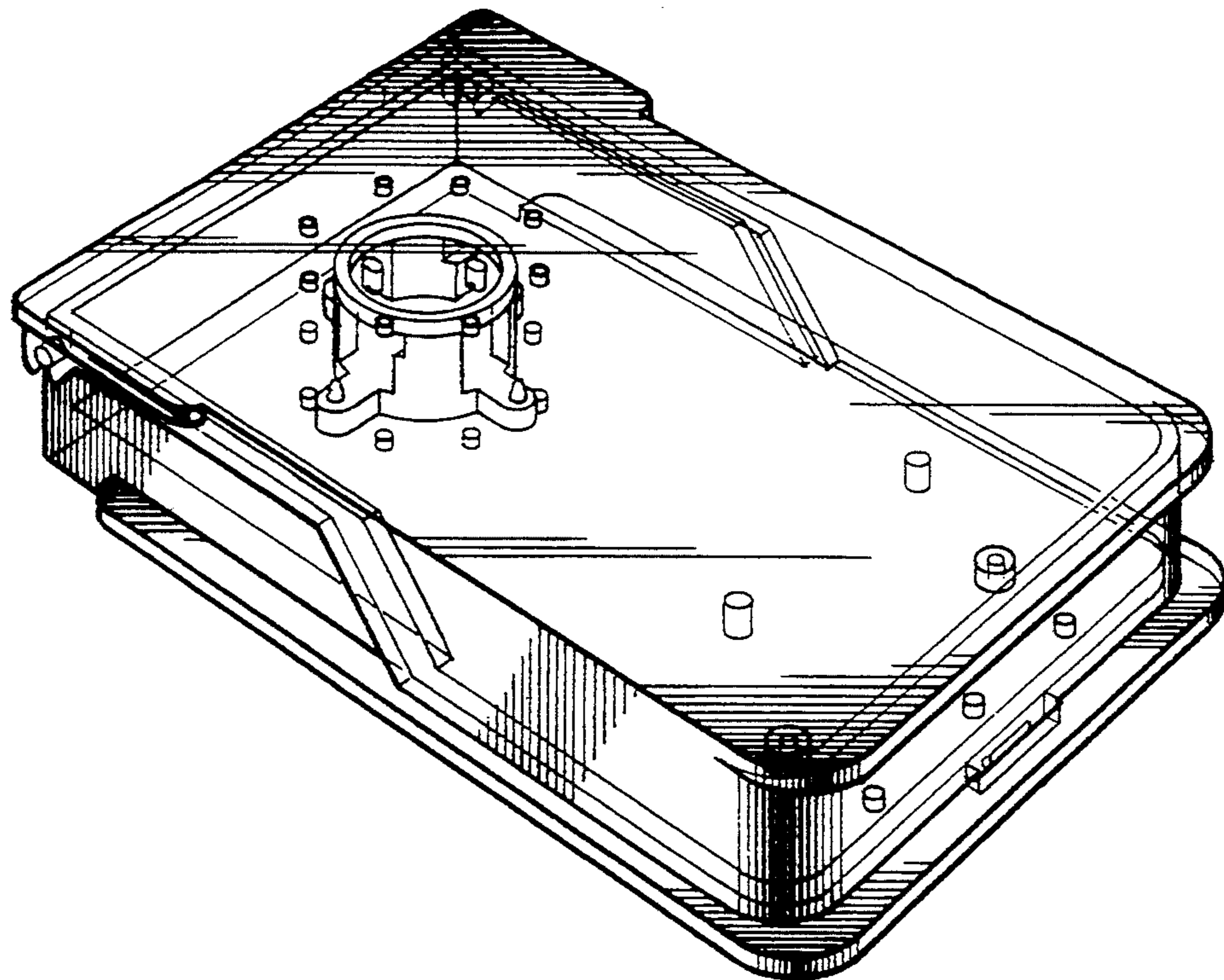
The ornamental design for an intraocular lens case, as shown and described.

DESCRIPTION

FIG. 1 is a perspective view of our new design for an intraocular lens case showing the top, front, and left side;
FIG. 2 is a top plan view of the intraocular lens case illustrated in FIG. 1;
FIG. 3 is a bottom plan view of the intraocular lens case illustrated in FIG. 1;
FIG. 4 is a right side elevational view of the intraocular lens case illustrated in FIG. 1;
FIG. 5 is a front elevational view of the intraocular lens case illustrated in FIG. 1;
FIG. 6 is a left side elevational view of the intraocular lens case illustrated in FIG. 1;
FIG. 7 is a rear elevational view of the intraocular lens case illustrated in FIG. 1;
FIG. 8 is a longitudinal cross-sectional view of the intraocular lens case illustrated in FIG. 1 taken along line 8—8 in FIG. 2; and,
FIG. 9 is a traverse cross-sectional view of the intraocular lens case illustrated in FIG. 1 taken along line 9—9 in FIG. 2.

[56] References Cited U.S. PATENT DOCUMENTS

4,113,088 9/1978 Binkhorst .
4,205,747 6/1980 Gilliam et al. .
4,257,521 3/1981 Poler .
4,269,307 5/1981 LaHaye .
4,402,396 9/1983 Graham .
4,423,809 1/1984 Mazzocco .
4,508,216 4/1985 Kelman .
4,623,249 11/1986 Grant 206/5.1 X
4,697,697 10/1987 Graham et al. .
5,100,410 3/1992 Dulebohn .
5,176,686 1/1993 Poley .
5,199,559 4/1993 Dark 206/5.1



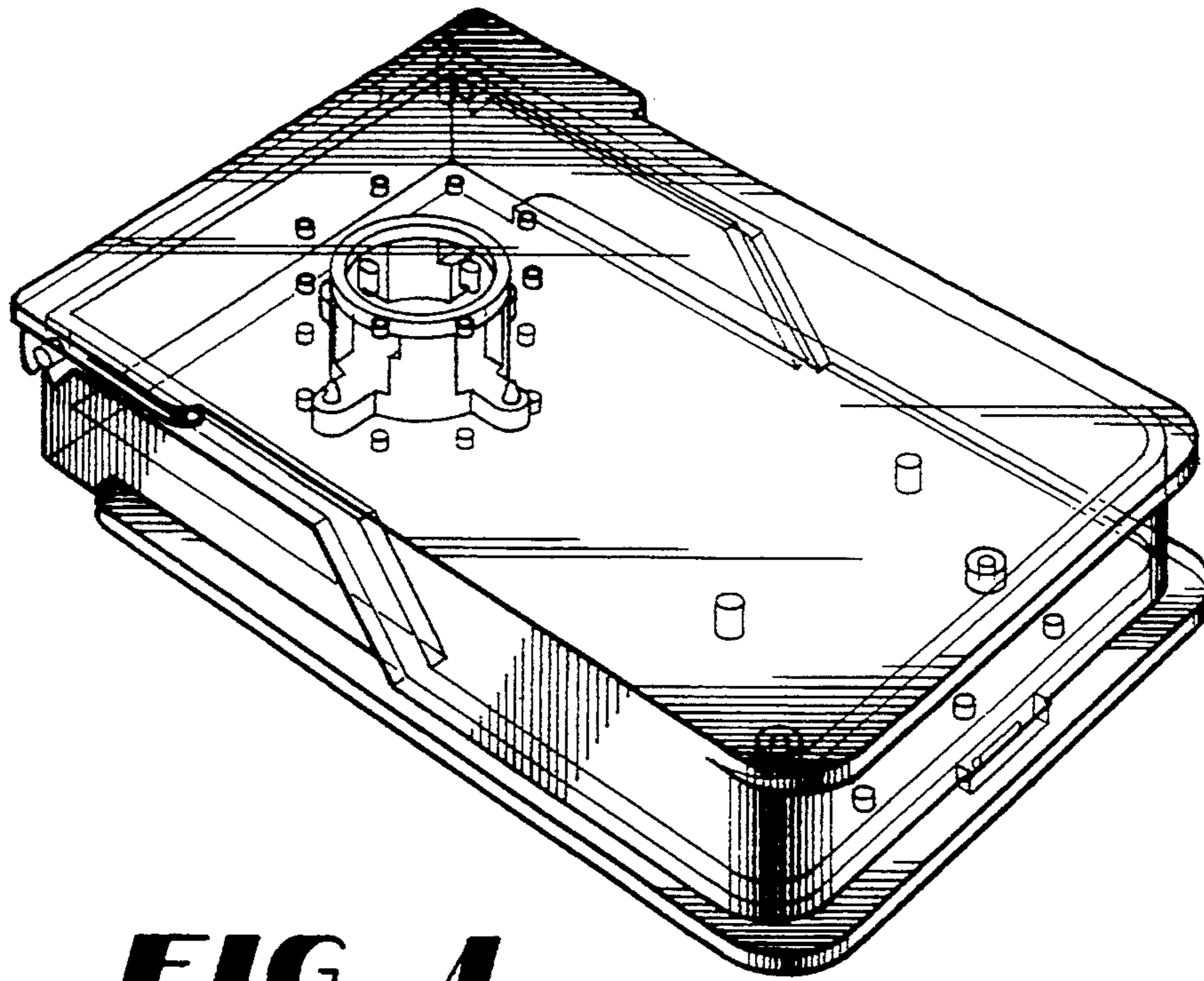


FIG 1

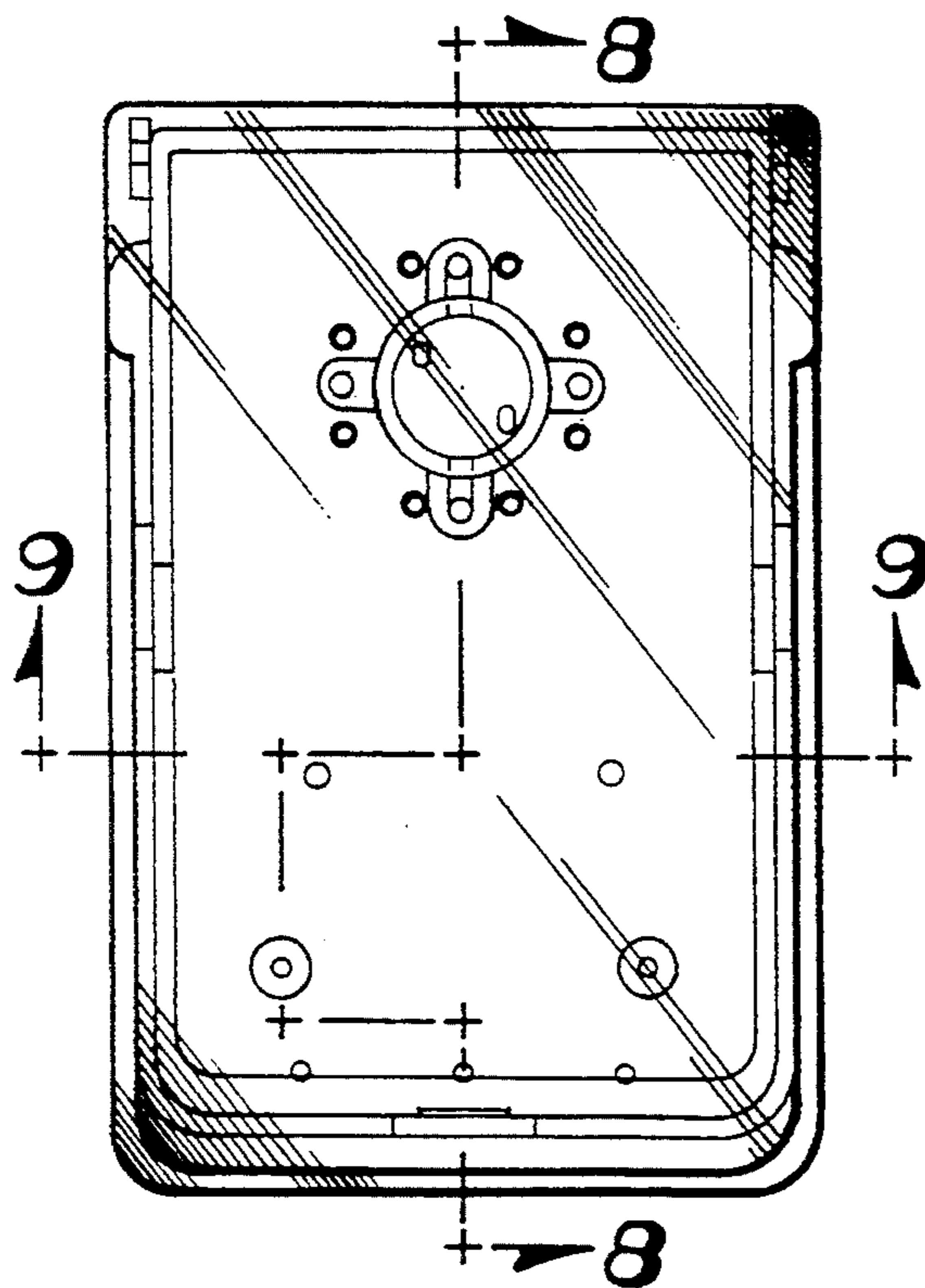


FIG 2

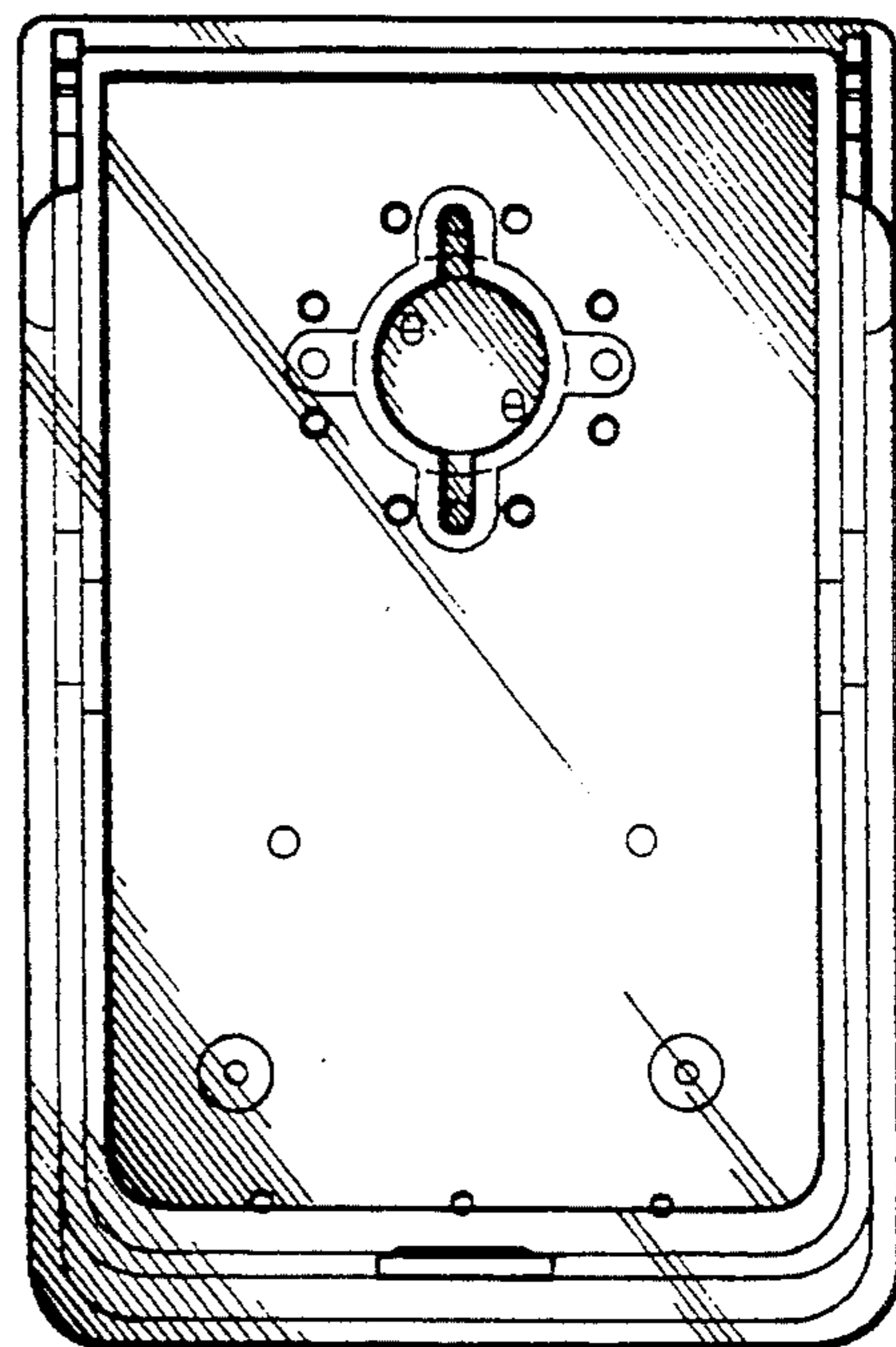


FIG 3

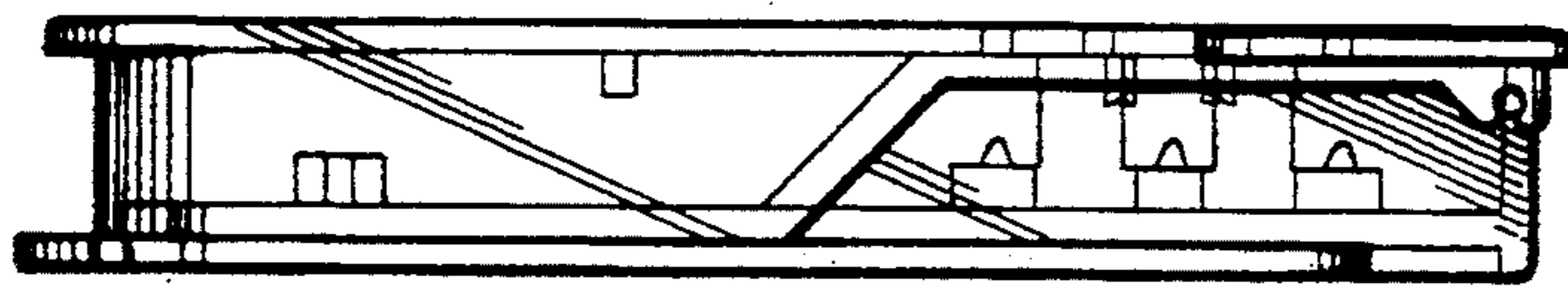


FIG 4

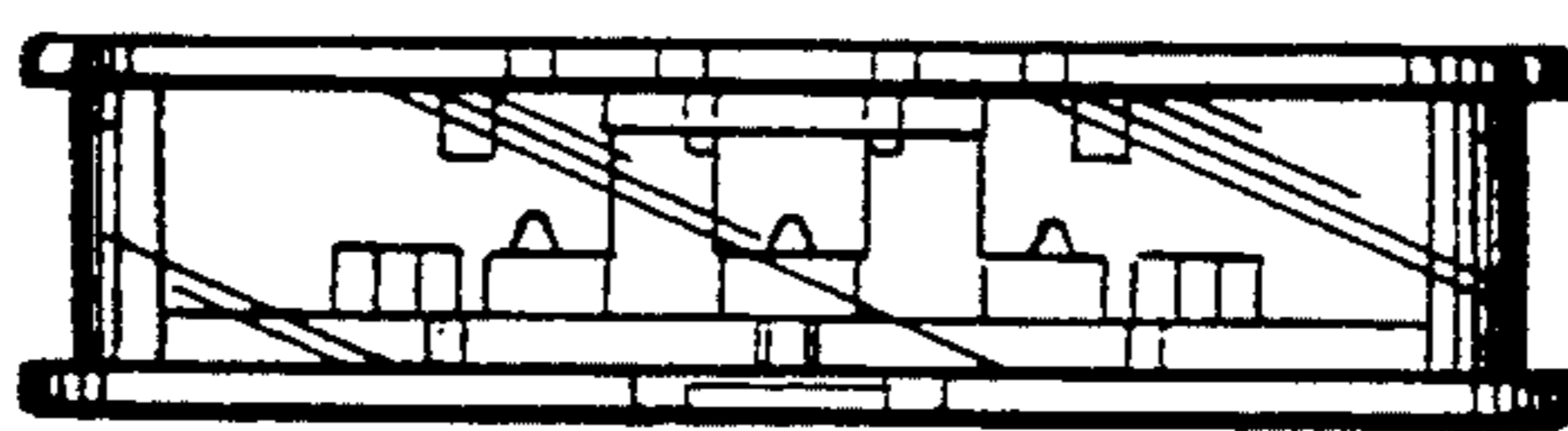


FIG 5



FIG 6

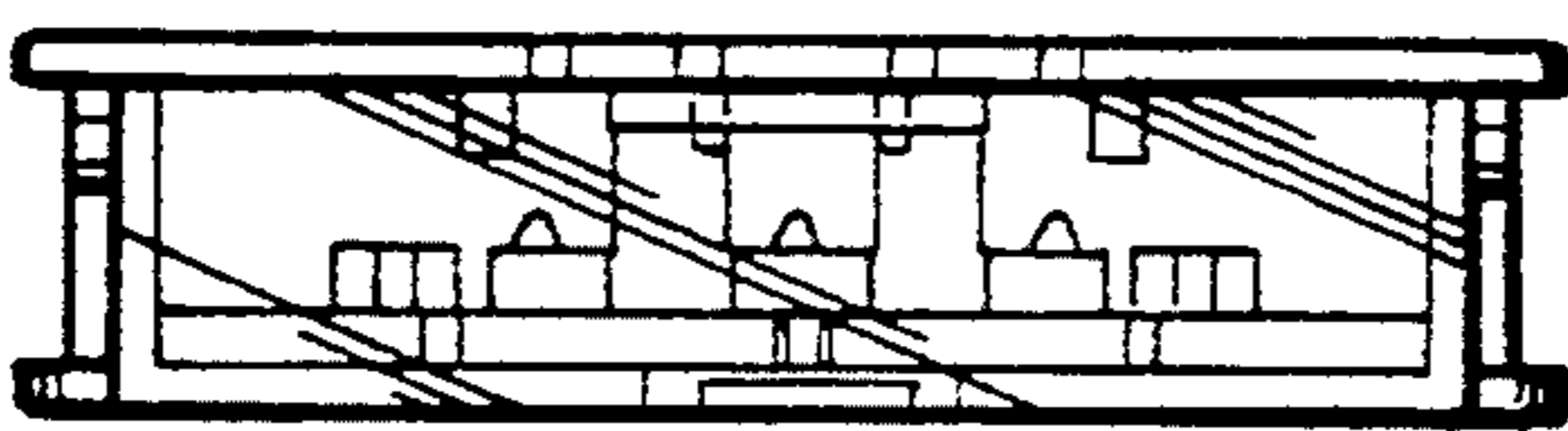


FIG 7

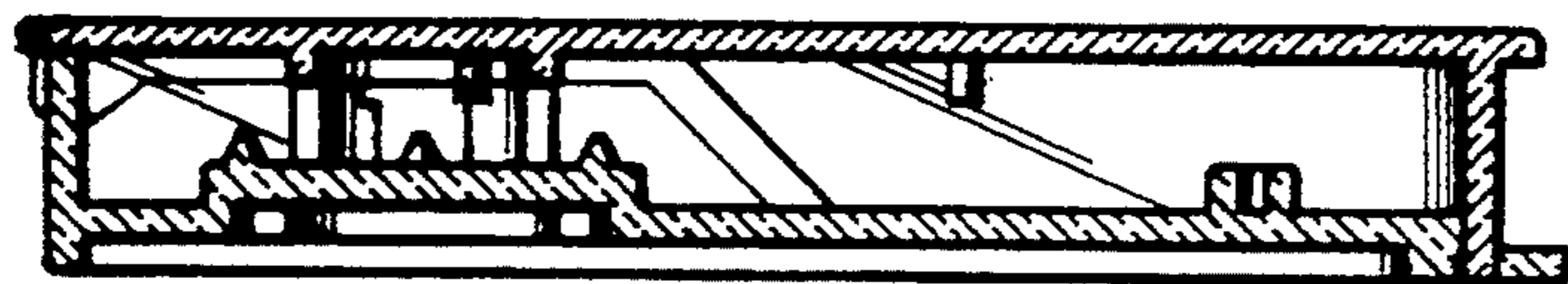


FIG 8

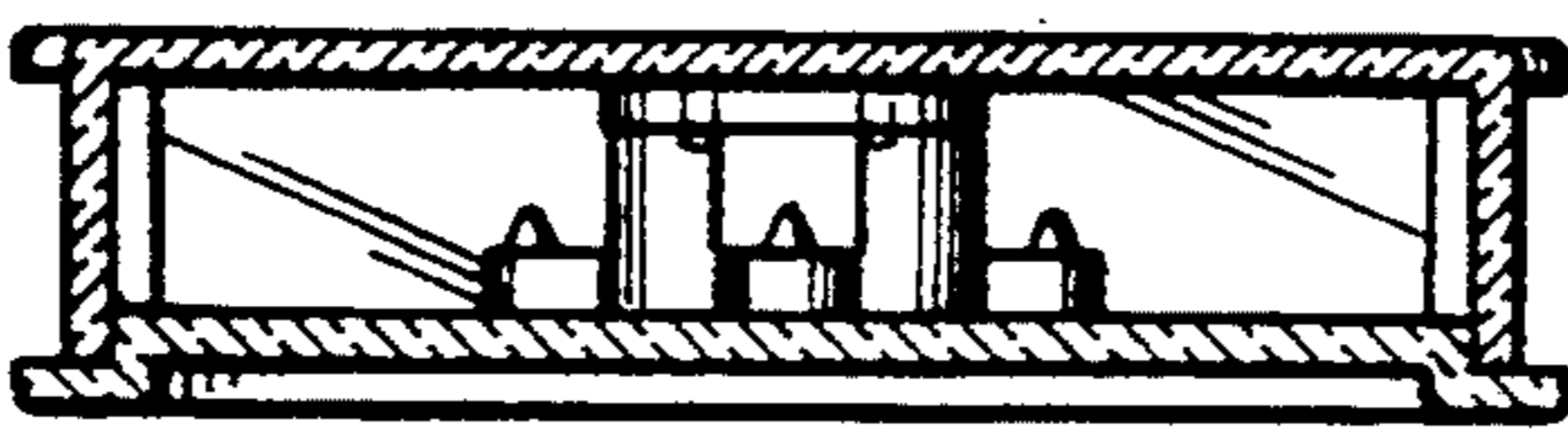


FIG 9