



US00D360067S

United States Patent [19]

[11] Patent Number: **Des. 360,067**

McColgin et al.

[45] Date of Patent: **** Jul. 11, 1995**

[54] **FRONT PANEL FOR A ROOM AIR CONDITIONER**

[75] Inventors: **Jerry L. McColgin**, St. Joseph, Mich.; **Edward H. Meisner**, Short Hills, N.J.; **Christopher M. Thompson**, Nashville, Tenn.

[73] Assignee: **Whirlpool Corporation**, Benton Harbor, Mich.

[**] Term: **14 Years**

[21] Appl. No.: **27,792**

[22] Filed: **Aug. 15, 1994**

[52] U.S. Cl. **D23/354; D23/353**

[58] Field of Search **D23/351-354; 454/201, 202; 62/262, 263; D14/115**

[56] **References Cited**

U.S. PATENT DOCUMENTS

D. 284,997	8/1986	Hoyle	D23/141
D. 284,998	8/1986	Hoyle	D23/141
D. 303,143	8/1989	Hoyle	D23/354
D. 309,942	8/1990	Shimano et al.	D23/351
D. 341,882	11/1993	Kroko et al.	D23/354
3,277,663	10/1966	Ulich	62/262
3,354,809	11/1967	Orr et al.	98/94
3,420,592	1/1969	Ogata et al.	312/204

3,476,034	11/1969	Ulich	98/94
3,584,468	6/1971	Crise	62/262
3,588,212	6/1971	Gersch	312/204
3,592,123	7/1971	Henken et al.	98/94
4,229,921	10/1980	Schell	52/506
4,332,114	6/1982	Goebel et al.	52/36
4,759,194	7/1988	Shapiro	62/262

Primary Examiner—Lisa P. Lichtenstein
Attorney, Agent, or Firm—Thomas J. Roth; Joel M. Van Winkle

[57] **CLAIM**

The ornamental design for a front panel for a room air conditioner, as shown and described.

DESCRIPTION

FIG. 1 is an isometric view of a front panel for a room air conditioner embodying the principles of the present invention;

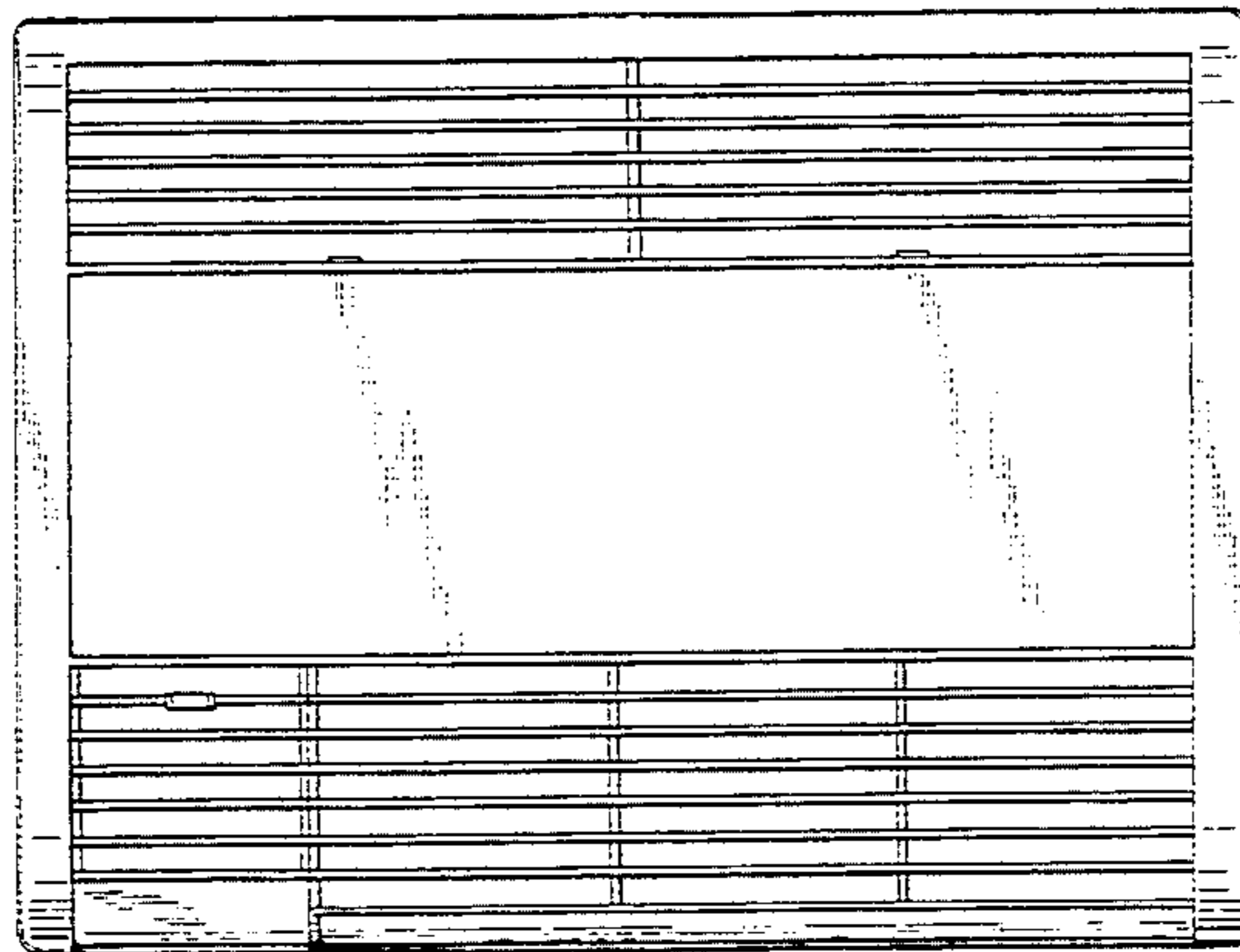
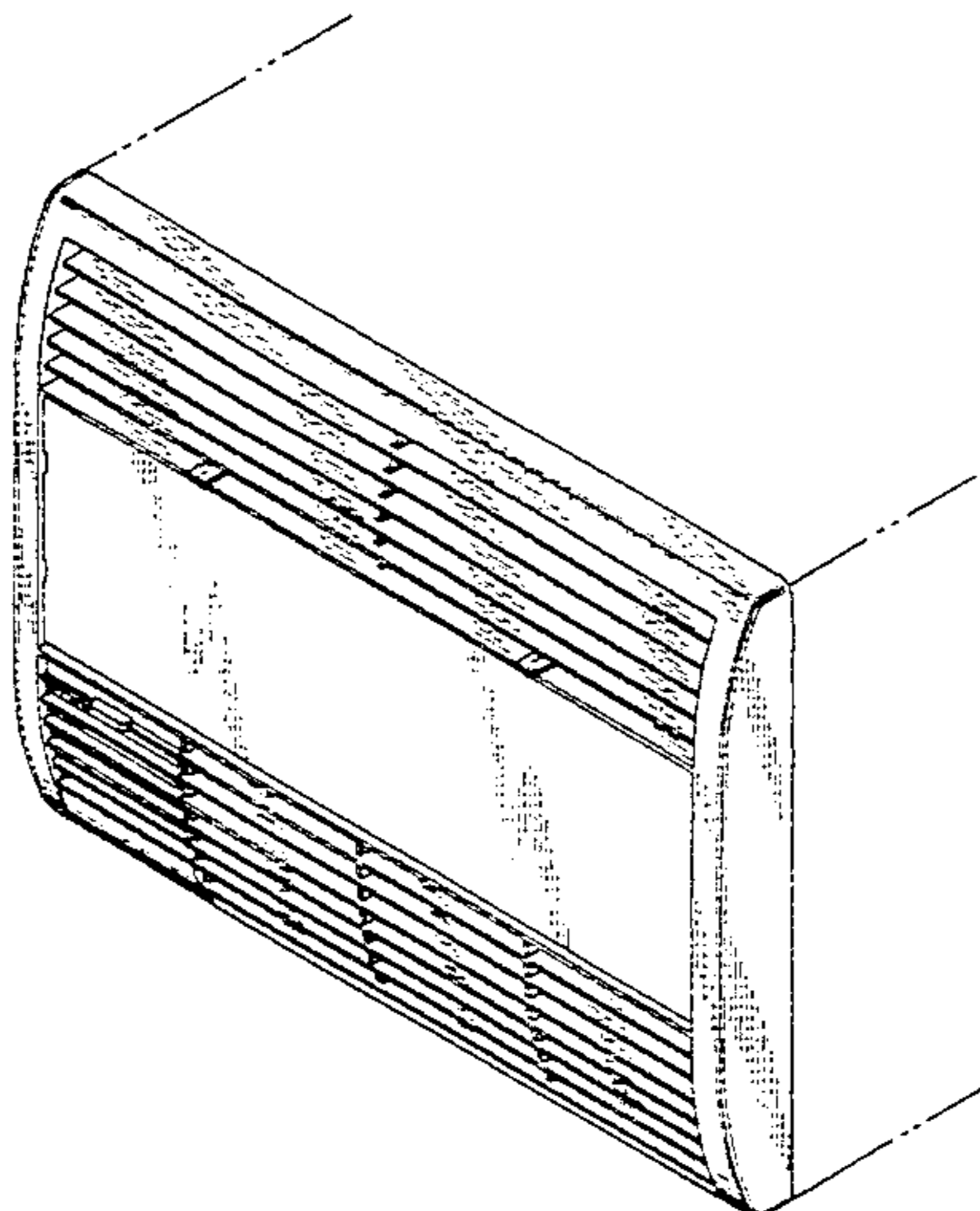
FIG. 2 is a front elevational view thereof, on an enlarged scale;

FIG. 3 is a left side elevational view thereof, the right side elevational view being a mirror image thereof;

FIG. 4 is a top plan view thereof; and,

FIG. 5 is a bottom plan view thereof.

The broken line showing of an air conditioner housing in FIG. 1, FIG. 3, FIG. 4, and FIG. 5 is for illustrative purposes only, and forms no part of the claimed design.



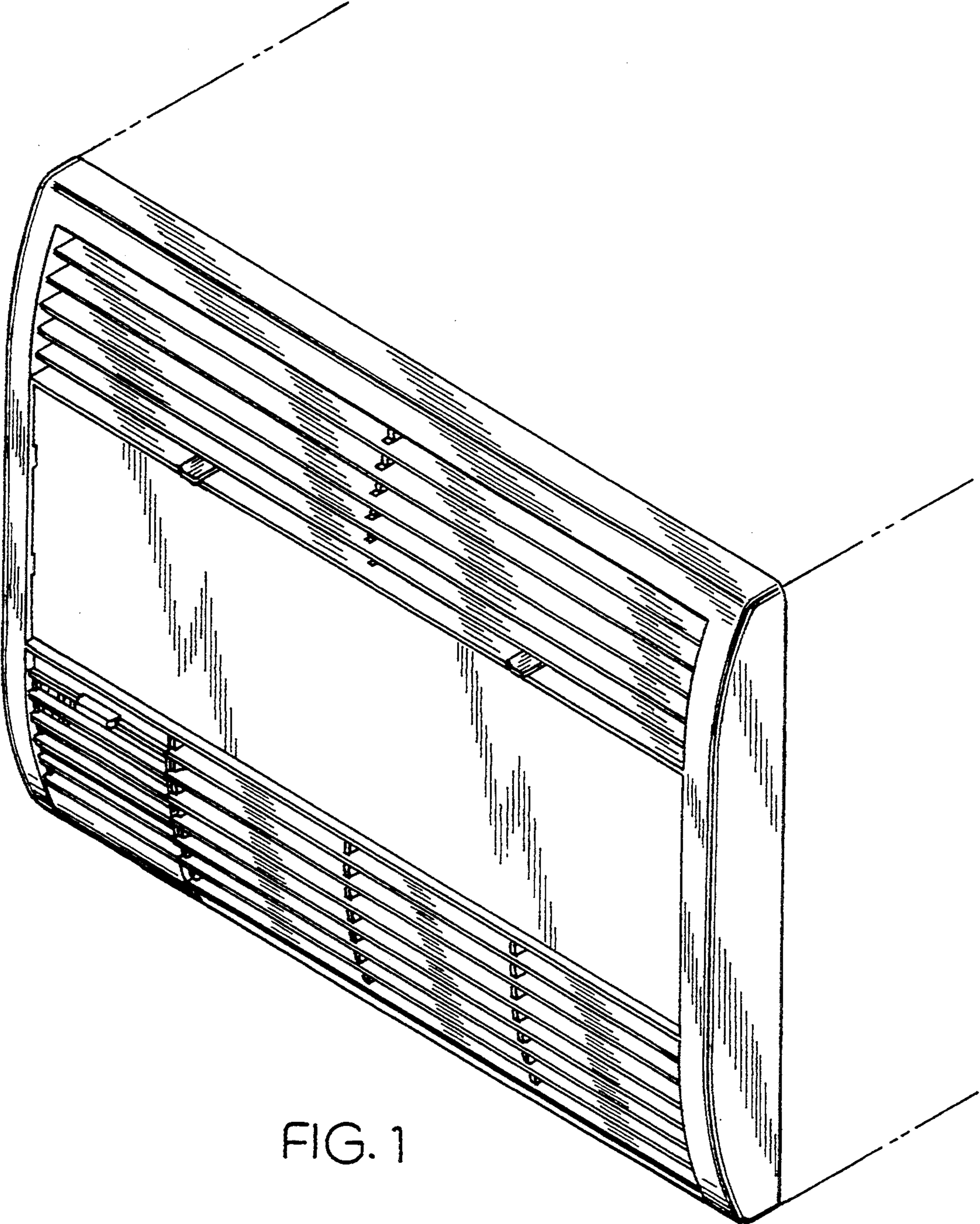
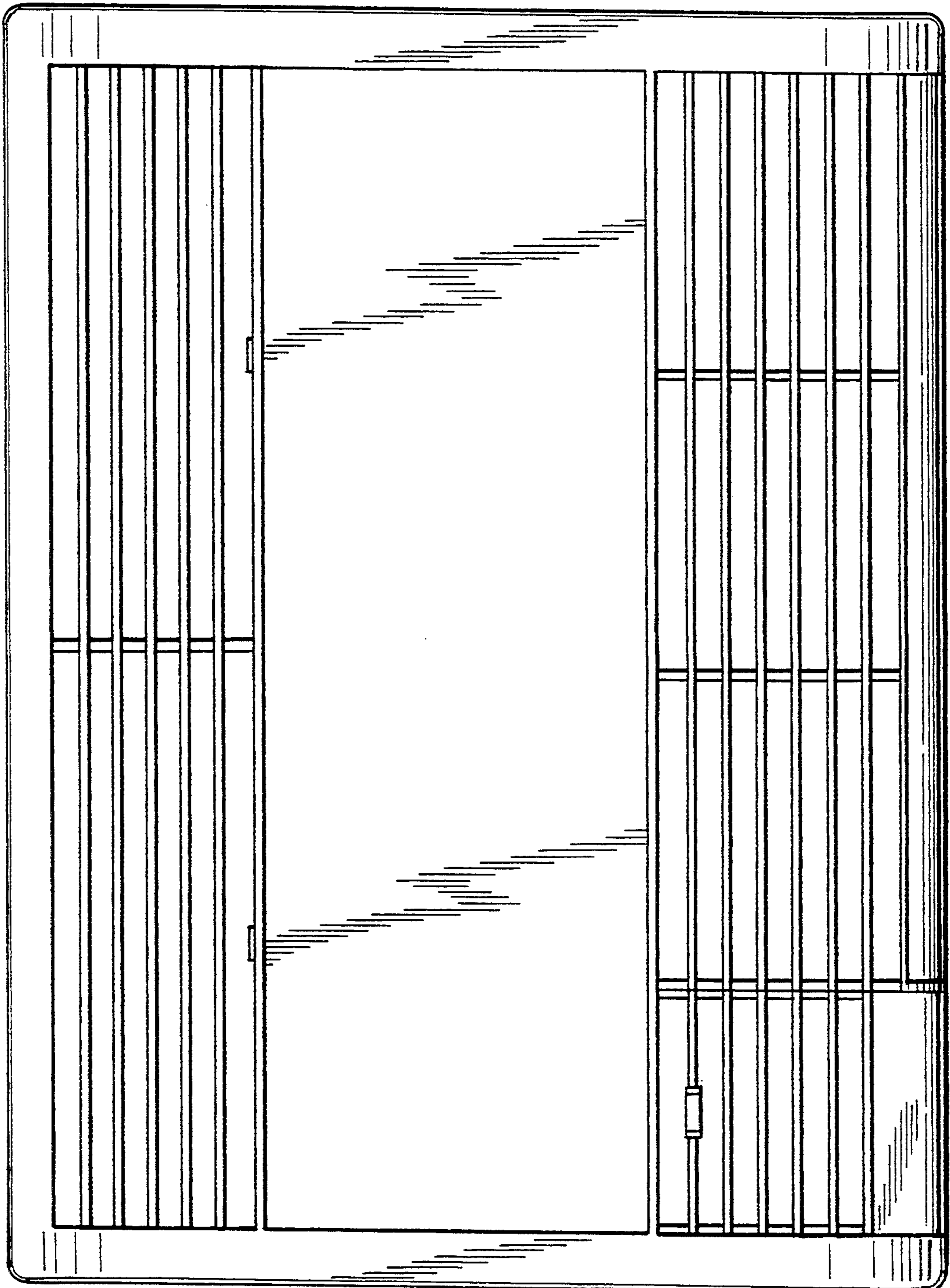


FIG. 1

FIG. 2



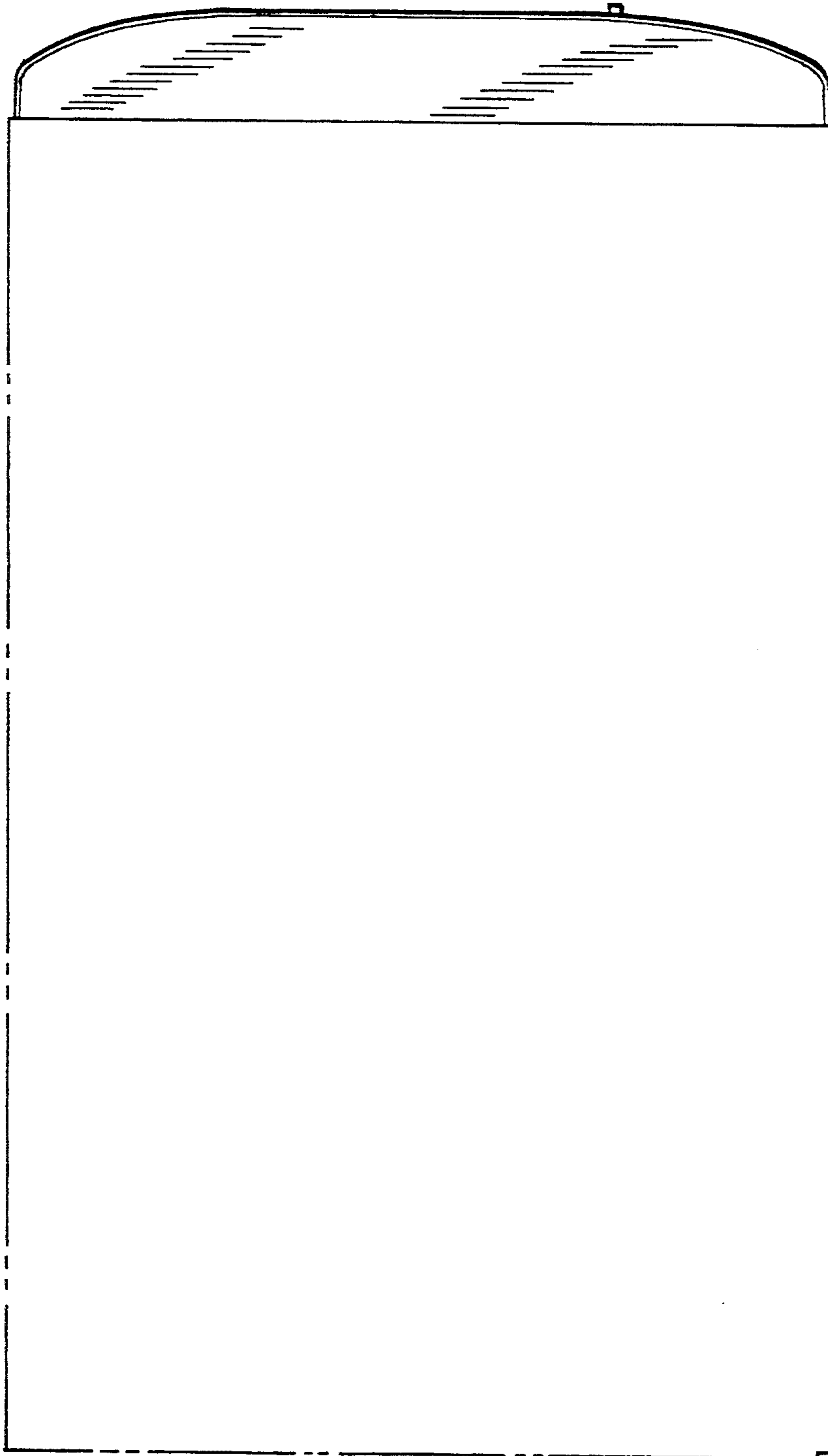


FIG. 3

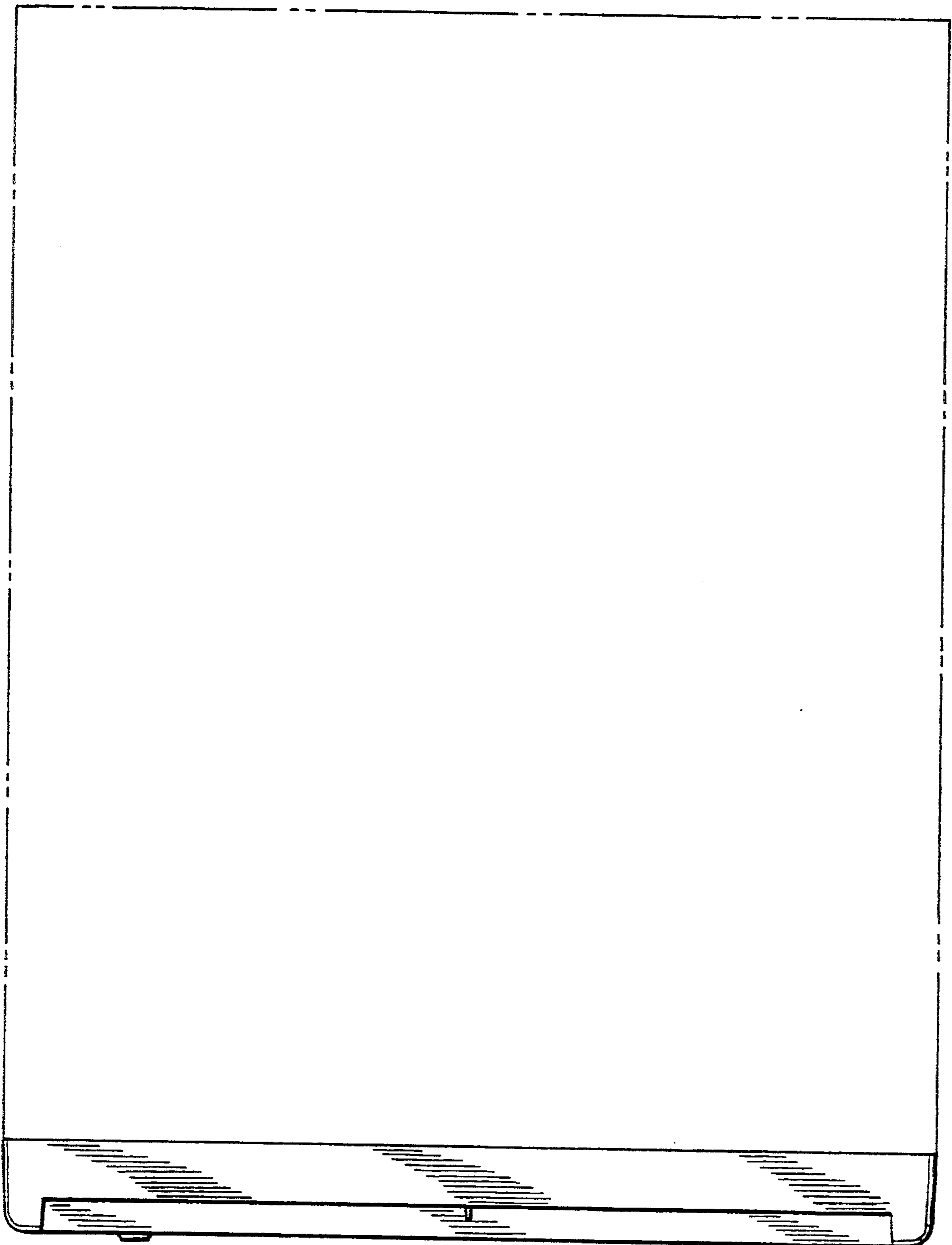


FIG. 4

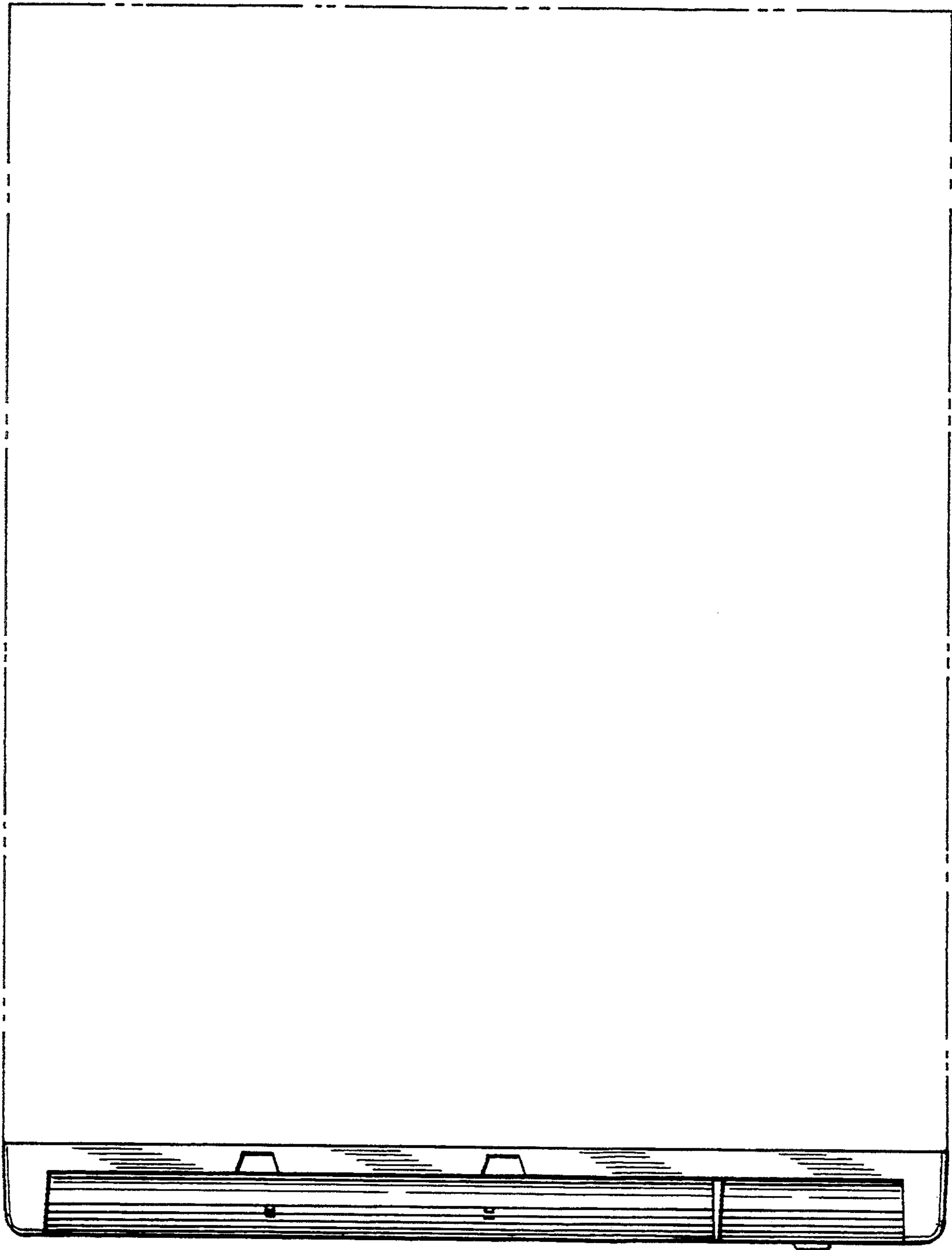


FIG. 5