



US00D360059S

United States Patent [19]

[11] Patent Number: **Des. 360,059**

Kalvestran et al.

[45] Date of Patent: **** Jul. 4, 1995**

[54] **WRIST GUARD**

[75] Inventors: **Jamie L. Kalvestran**, Anoka; **William S. Portzline**, Minneapolis, both of Minn.; **Bryce G. Rutter**, University City; **John H. Loudenslager**, Kirkwood, both of Mo.

[73] Assignee: **Rollerblade, Inc.**, Minneapolis, Minn.

[**] Term: **14 Years**

[21] Appl. No.: **10,243**

[22] Filed: **Jun. 30, 1993**

[52] U.S. Cl. **D29/113**

[58] Field of Search **D29/113; 2/2, 268, 16, 2/24, 159, 160, 162, 168, 163, 161.1-161.2; 128/876, 878, 879, 880**

4,497,073 2/1985 Deutsch .
 4,519,097 5/1985 Chappell, Jr. et al. .
 4,589,146 5/1986 Taylor .
 4,677,698 7/1987 Angus .
 4,768,234 9/1988 Yamamoto 2/16
 4,810,559 3/1989 Fortier et al. .
 4,843,651 7/1989 Gramza et al. 2/163
 4,877,242 10/1989 James .
 4,905,321 3/1990 Walunga 2/162
 5,065,457 11/1991 Henson .
 5,295,269 3/1994 Ballard 2/161.1

FOREIGN PATENT DOCUMENTS

333946 12/1903 France .
 2622466 12/1977 Germany .
 19967 8/1899 United Kingdom .

Primary Examiner—Ralf T. Seifert
Attorney, Agent, or Firm—Merchant, Gould, Smith, Edell, Welter & Schmidt

[56] References Cited

U.S. PATENT DOCUMENTS

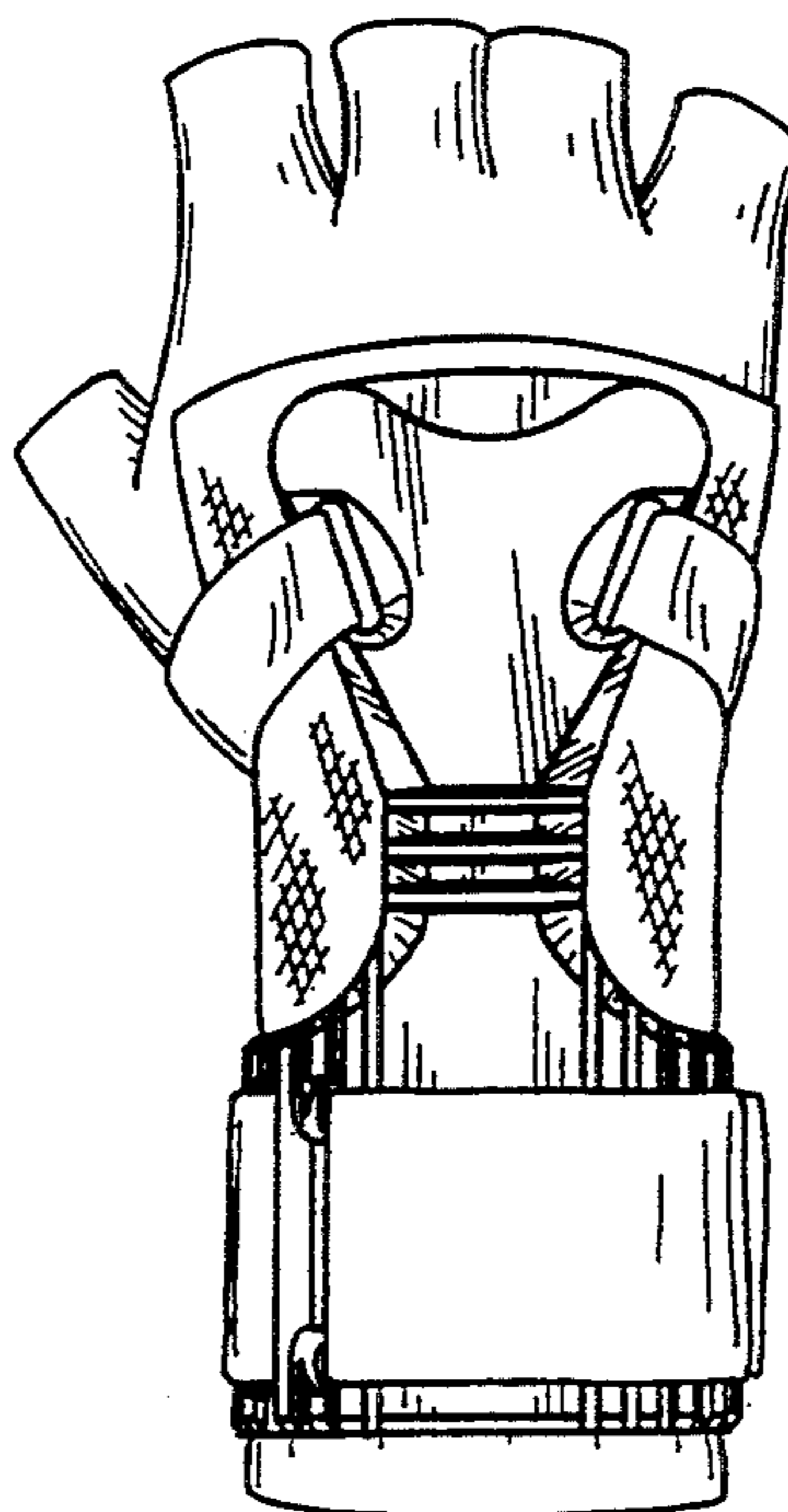
Re. 32,287 11/1986 Willis .
 D. 239,220 3/1976 Norman .
 D. 279,140 6/1985 Paulson D29/113
 D. 294,983 3/1988 Purin et al. D29/113
 D. 335,368 5/1993 Houston D29/113
 2,702,906 3/1955 Causse .
 2,794,638 6/1957 Risher et al. .
 3,123,832 3/1964 Kubik D29/113
 3,255,462 6/1966 Antonious .
 3,262,126 7/1966 Price D29/113
 3,333,850 8/1967 Miller .
 3,595,575 7/1971 Gooch .
 3,911,497 10/1975 Lewis, Jr. et al. .
 4,011,596 3/1977 Chang .
 4,067,063 1/1978 Ettinger .
 4,183,100 1/1980 De Marco .
 4,193,135 3/1980 Rhee .
 4,400,829 8/1983 Willis .
 4,416,026 11/1983 Smith .
 4,438,532 3/1984 Campanella et al. .

[57] CLAIM

The ornamental design for a wrist guard, as shown and described.

DESCRIPTION

FIG. 1 is a top, rear and right side perspective view of the wrist guard of the invention shown in use of a wearer's hand;
 FIG. 2 is a bottom, rear and right side perspective view thereof shown in use on a wearer's hand;
 FIG. 3 is a top plan view thereof;
 FIG. 4 is a bottom plan view thereof;
 FIG. 5 is a right side elevational view thereof;
 FIG. 6 is a left side elevation view thereof;
 FIG. 7 is a front elevation view thereof; and,
 FIG. 8 is a rear elevation view thereof.
 The broken line showing of a wearer's hand is for illustrative purposes only and forms no part of the claimed design.



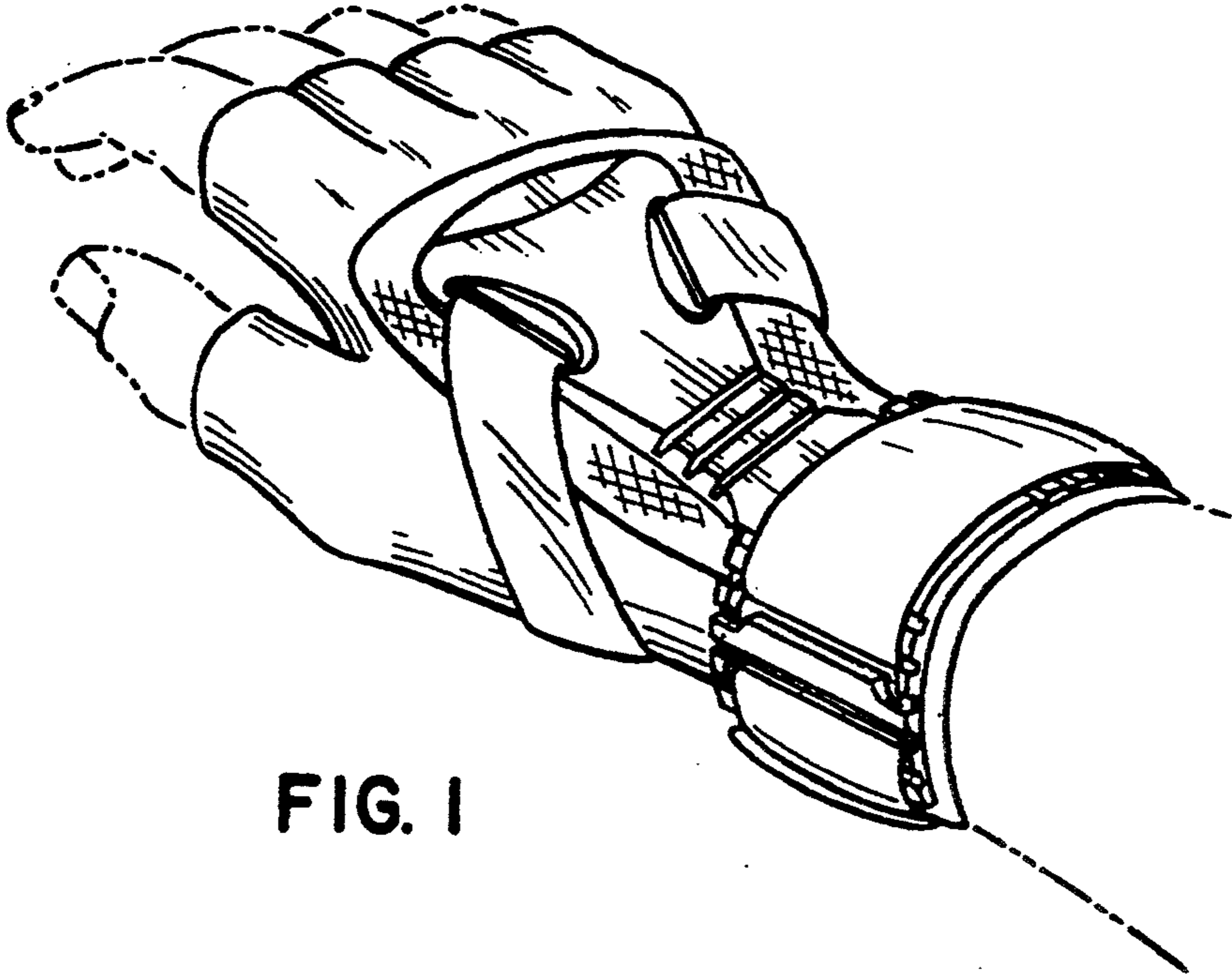


FIG. 1

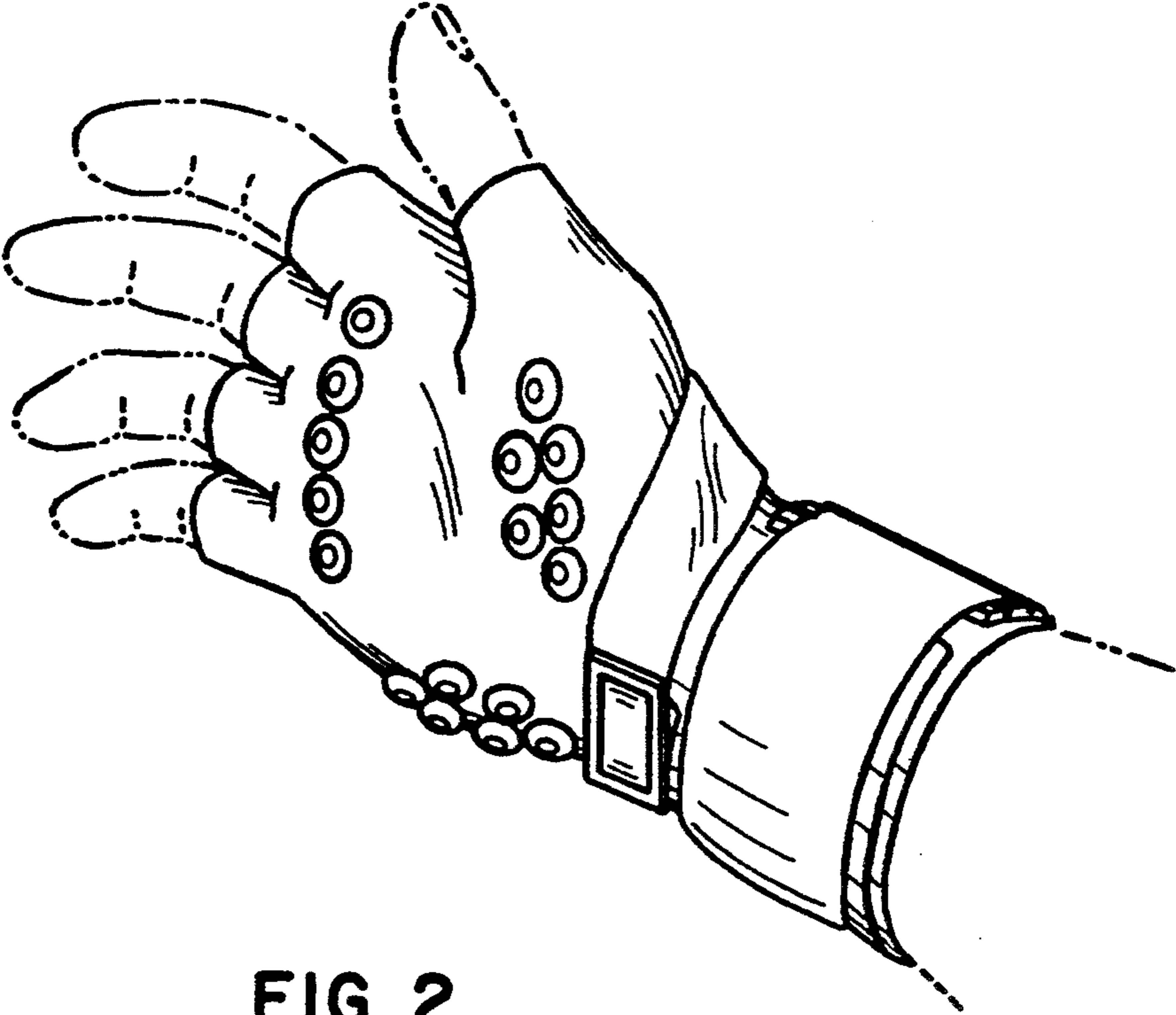


FIG. 2

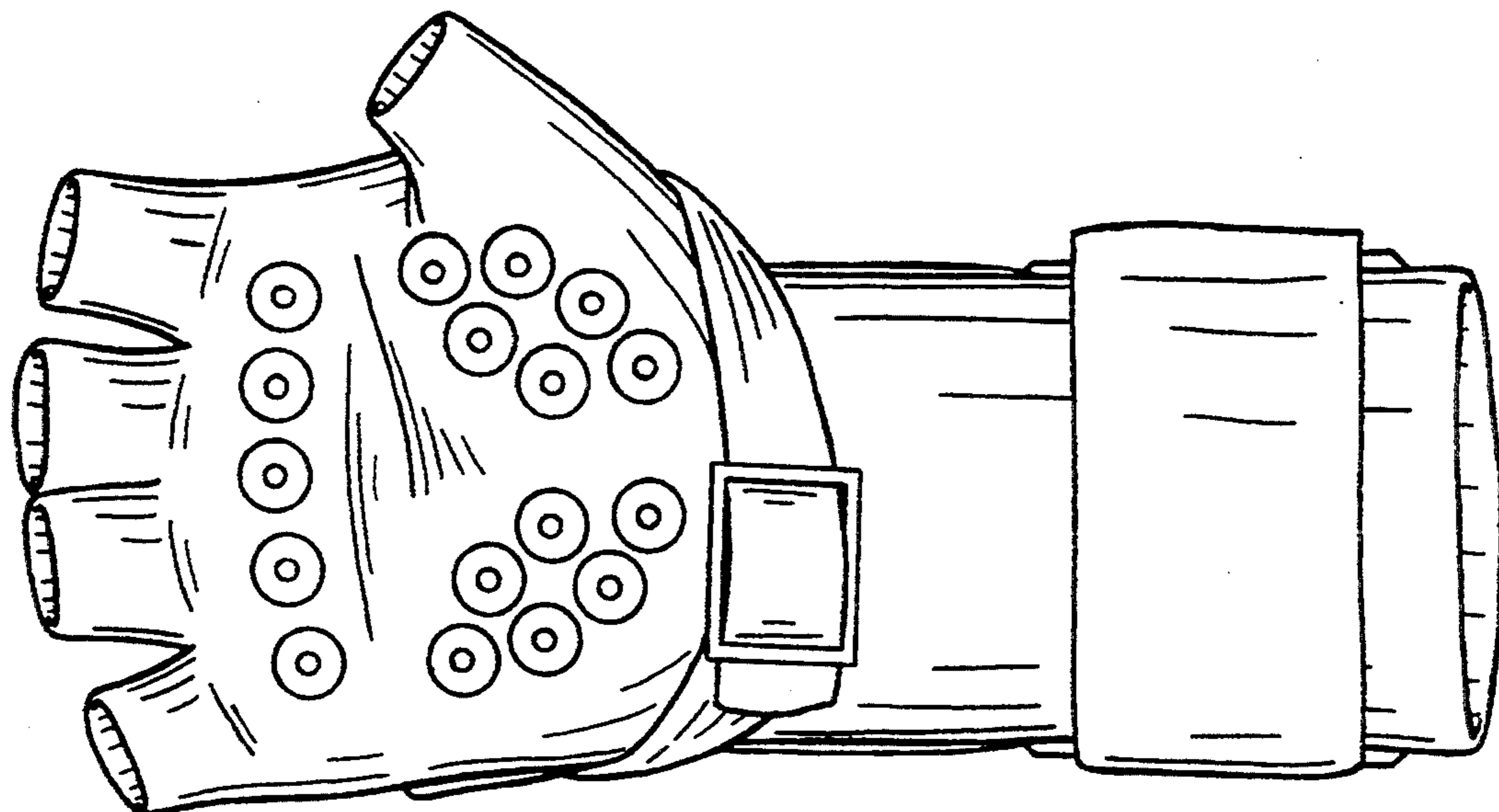


FIG. 4

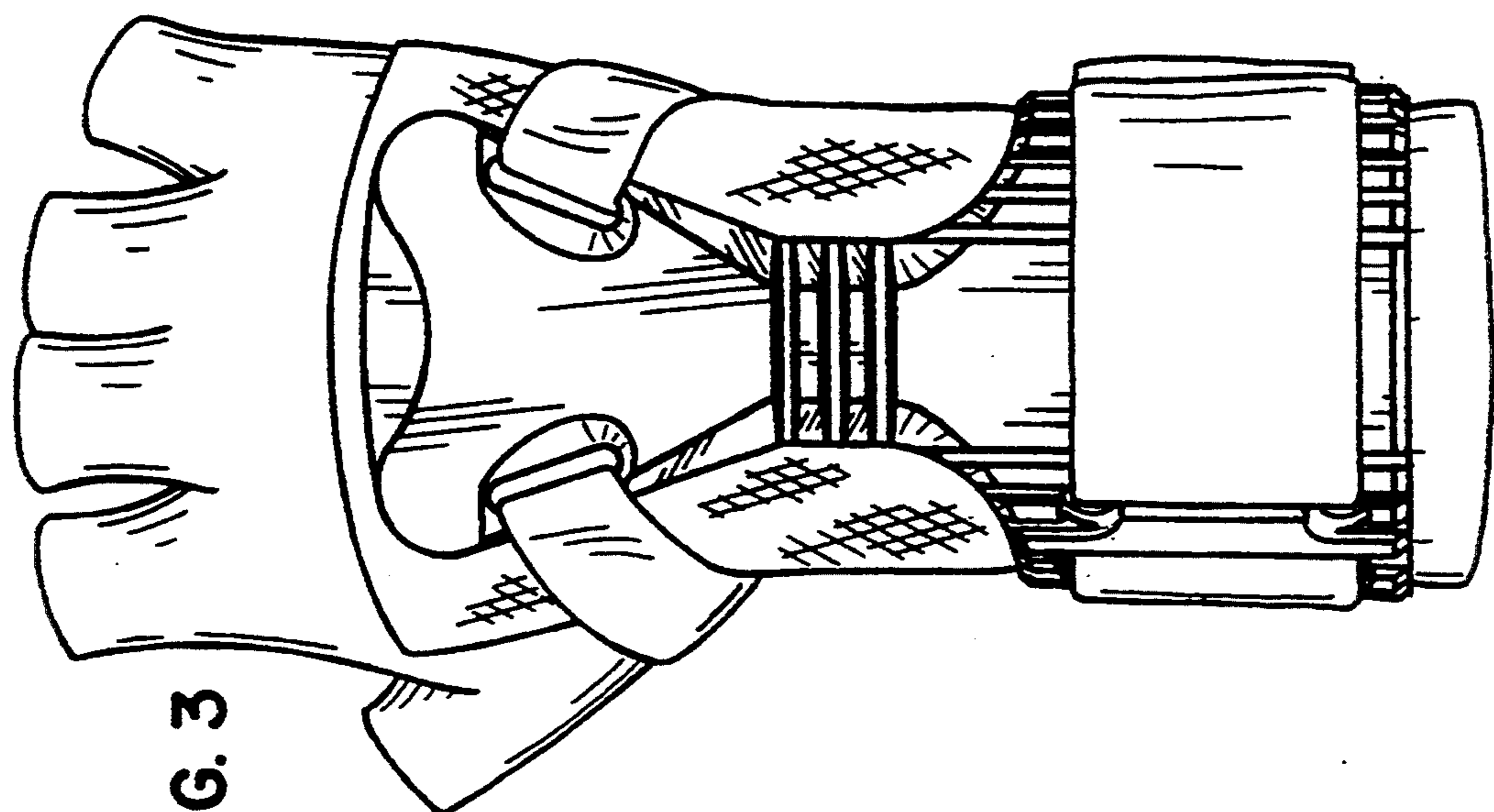


FIG. 3

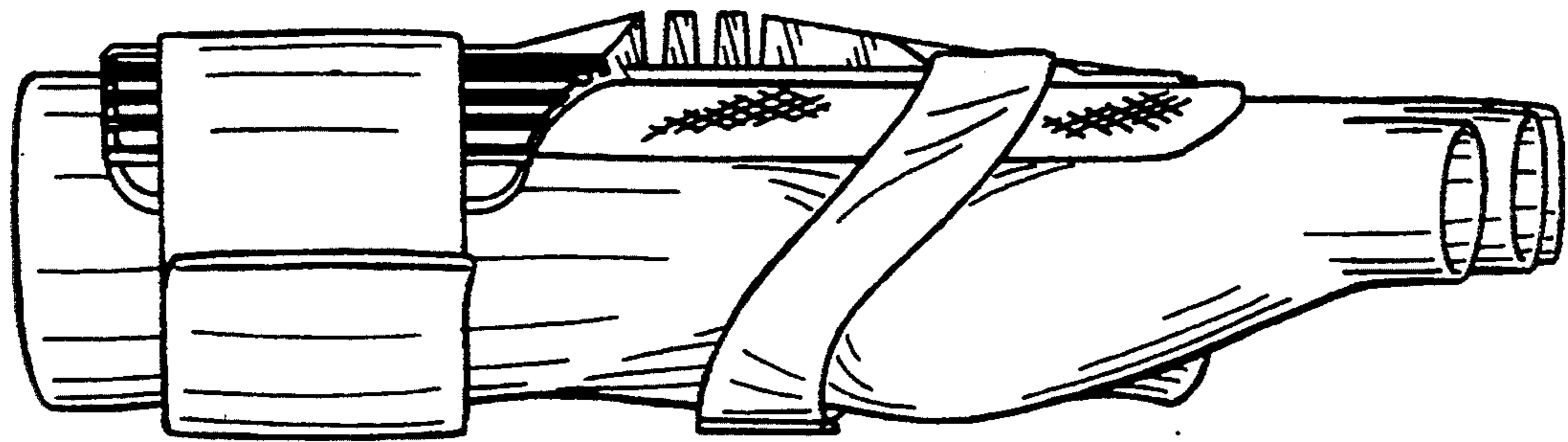


FIG. 5

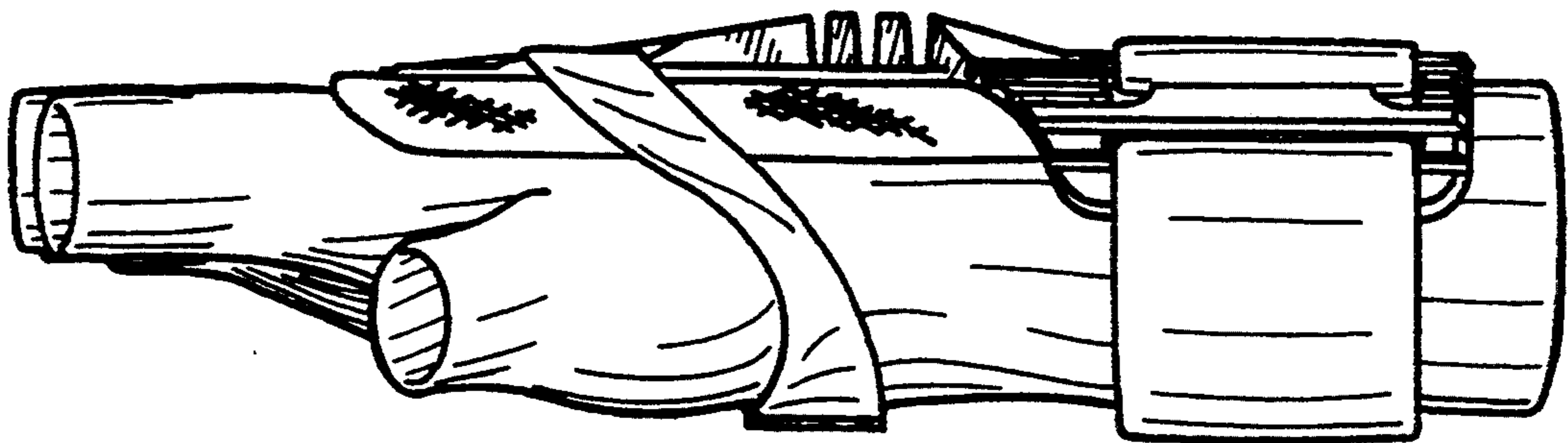


FIG. 6

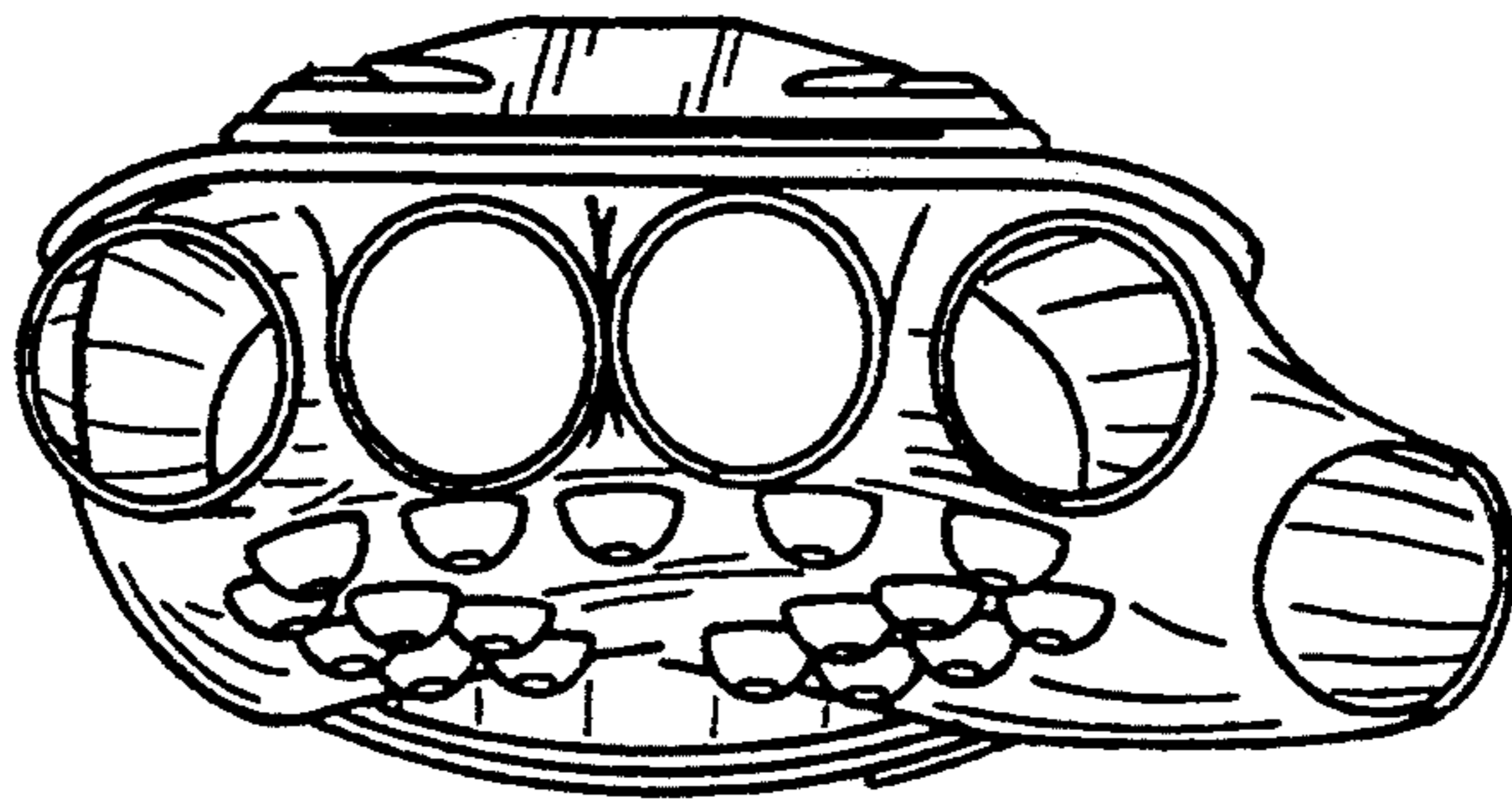


FIG. 7

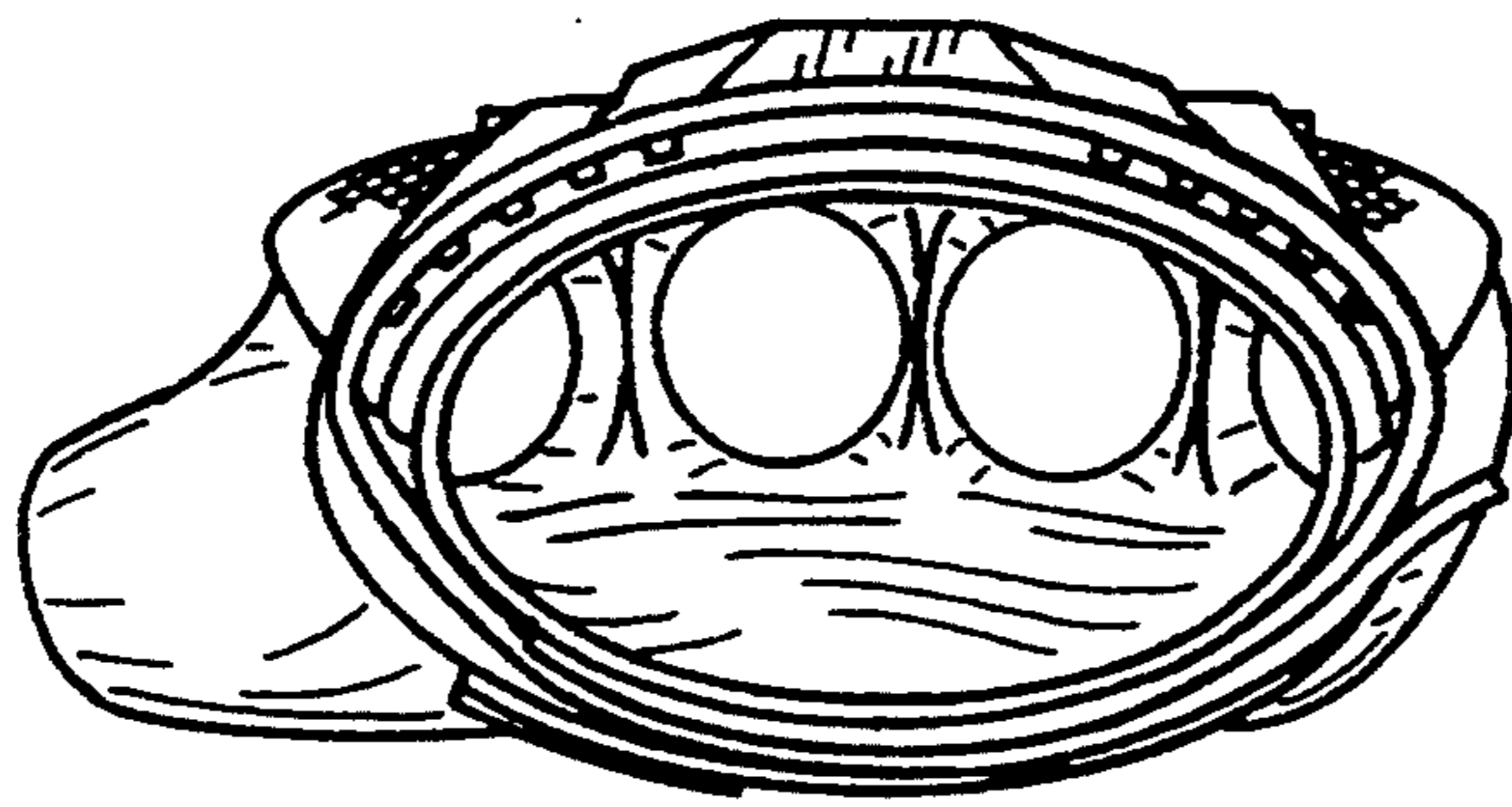


FIG. 8