



US00D360056S

United States Patent [19]

[11] Patent Number: **Des. 360,056**

Tamez

[45] Date of Patent: **** Jul. 4, 1995**

[54] **DENTAL FLOSS DISPENSER**

[76] Inventor: **Elias Tamez**, P.O. Box 532, Mabton, Wash. 98935

[**] Term: **14 Years**

[21] Appl. No.: **19,986**

[22] Filed: **Mar. 16, 1994**

[52] U.S. Cl. **D28/64; D11/133**

[58] Field of Search **D28/64; D11/133; 132/323, 324, 328; D7/604, 606; D29/108, 107**

[56] **References Cited**

U.S. PATENT DOCUMENTS

D. 232,011	7/1974	Denton	D7/604
D. 234,433	3/1975	Zivaca	D11/133
D. 311,259	10/1990	Smith	D28/64
4,308,880	1/1982	Graves	132/321

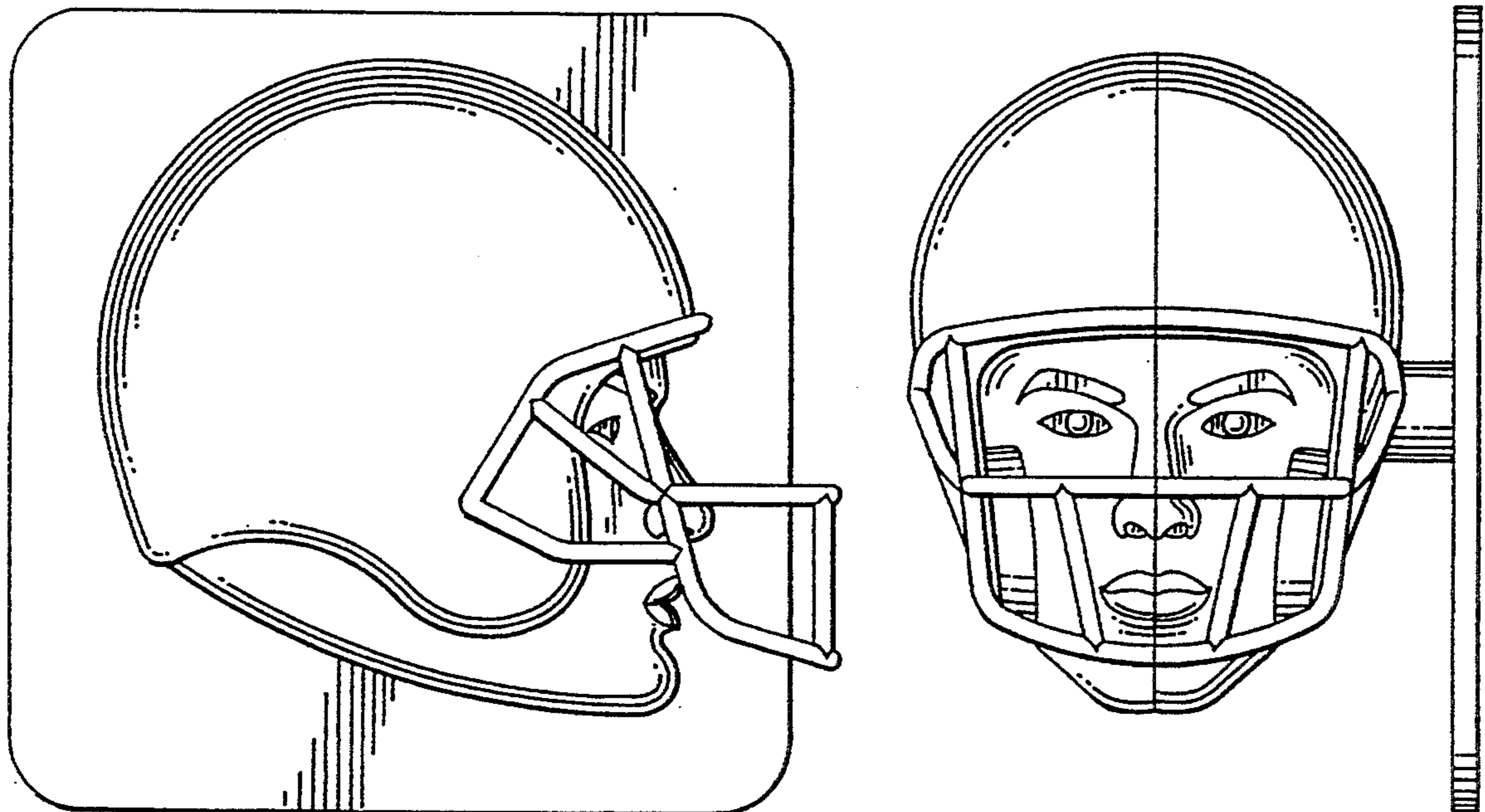
Primary Examiner—Kay H. Chin
Attorney, Agent, or Firm—Marger, Johnson, McCollom & Stolowitz

[57] **CLAIM**

The ornamental design for a dental floss dispenser, as shown and described.

DESCRIPTION

FIG. 1 is a front side elevational view of my invention, showing my new design;
FIG. 2 is a rear elevational view thereof;
FIG. 3 is a front elevational view thereof;
FIG. 4 is a top plan view thereof;
FIG. 5 is a bottom plan view thereof;
FIG. 6 is a back side elevational view thereof; and,
FIG. 7 is a side elevational view thereof without a mounting bracket, the opposite side being a mirror image of that shown.



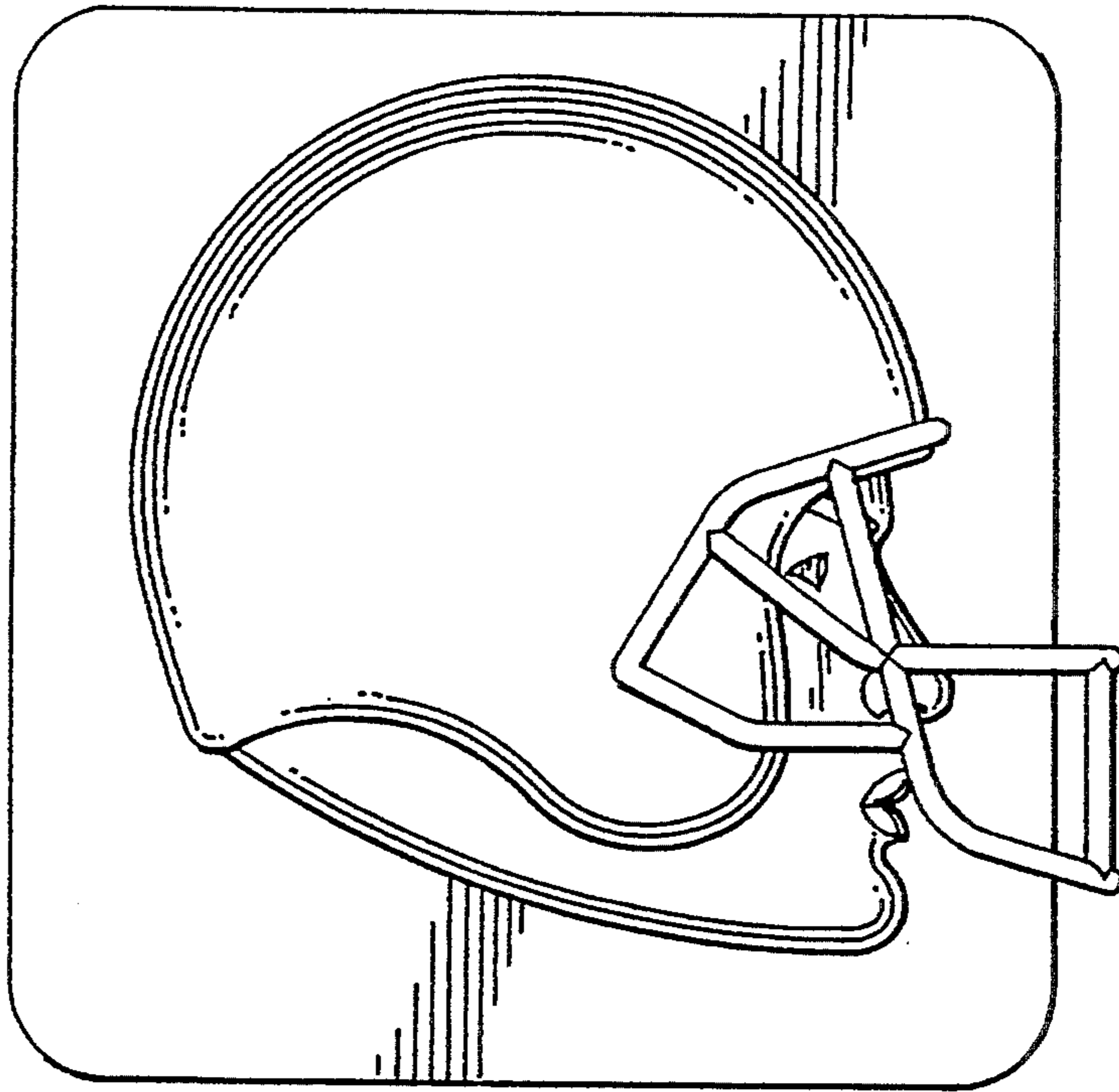


FIG. 1

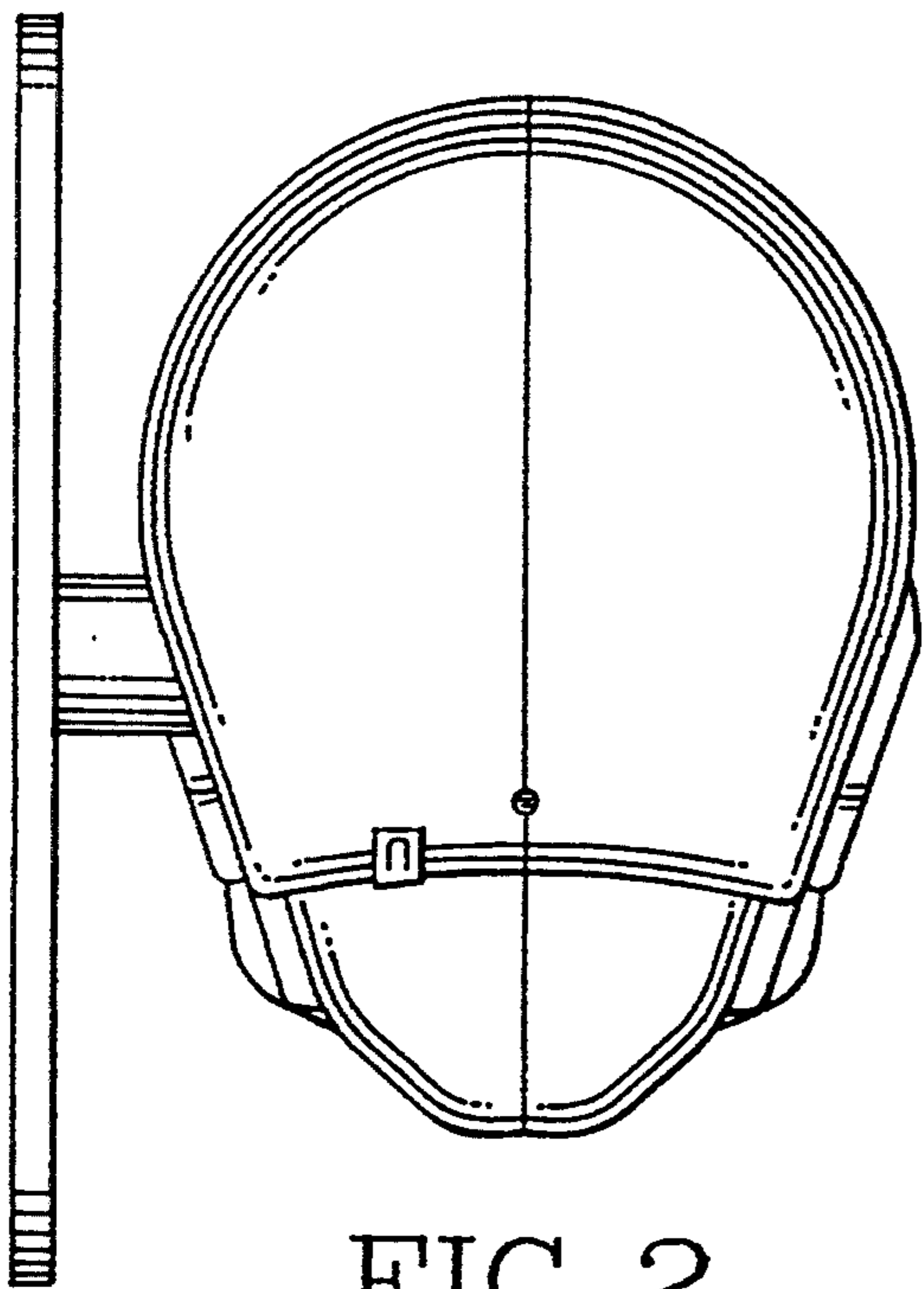


FIG. 2

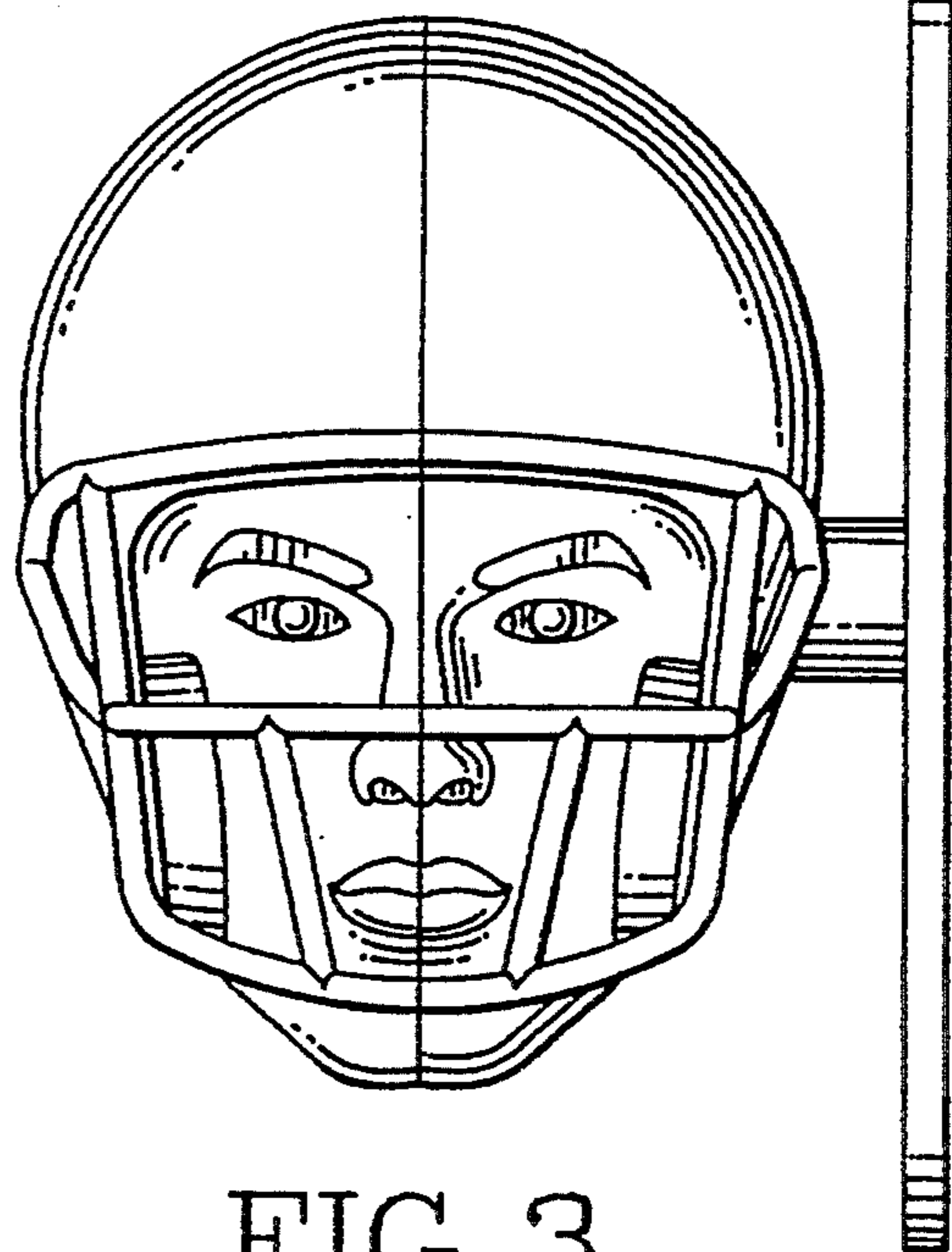


FIG. 3

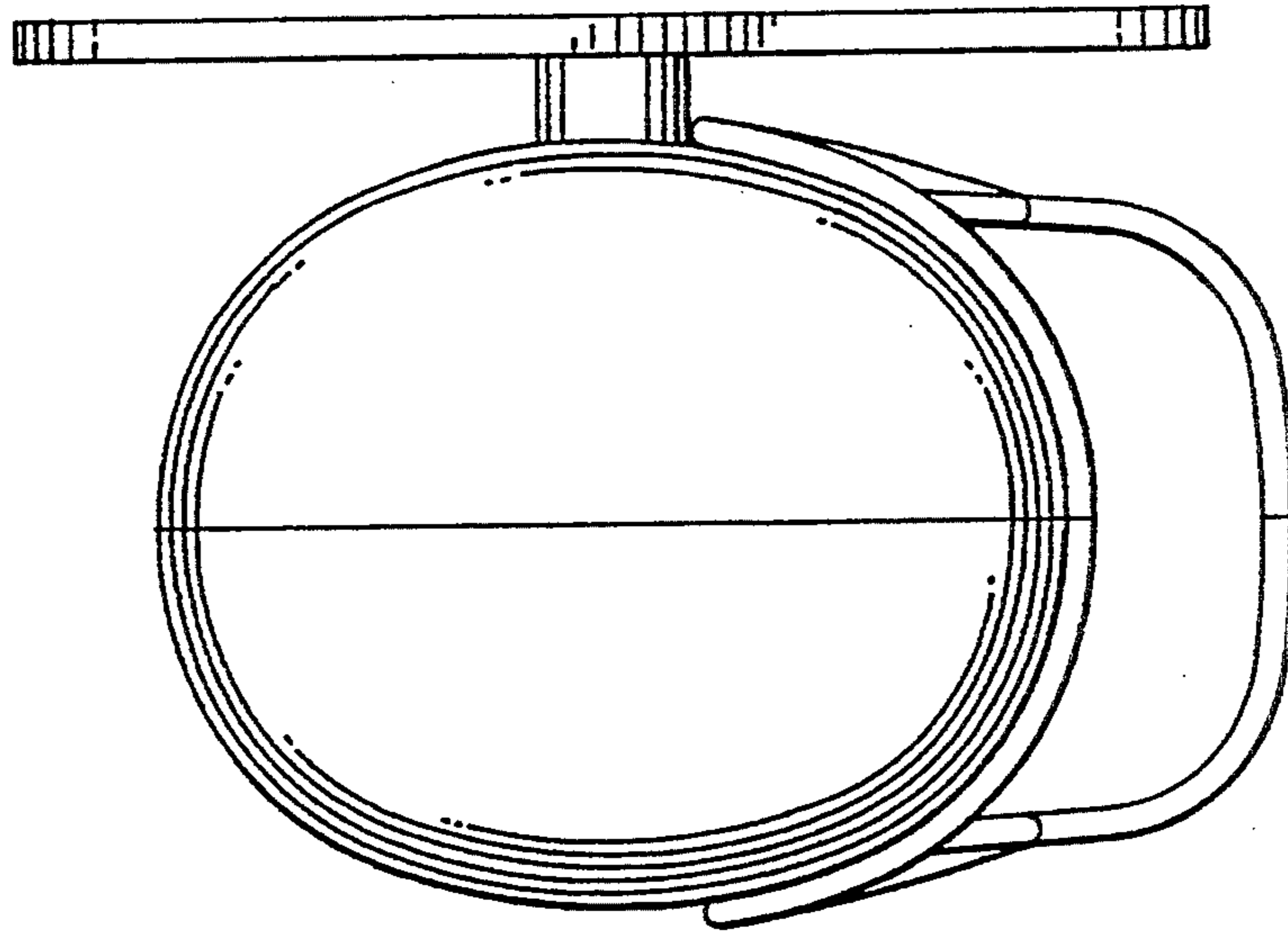


FIG. 4

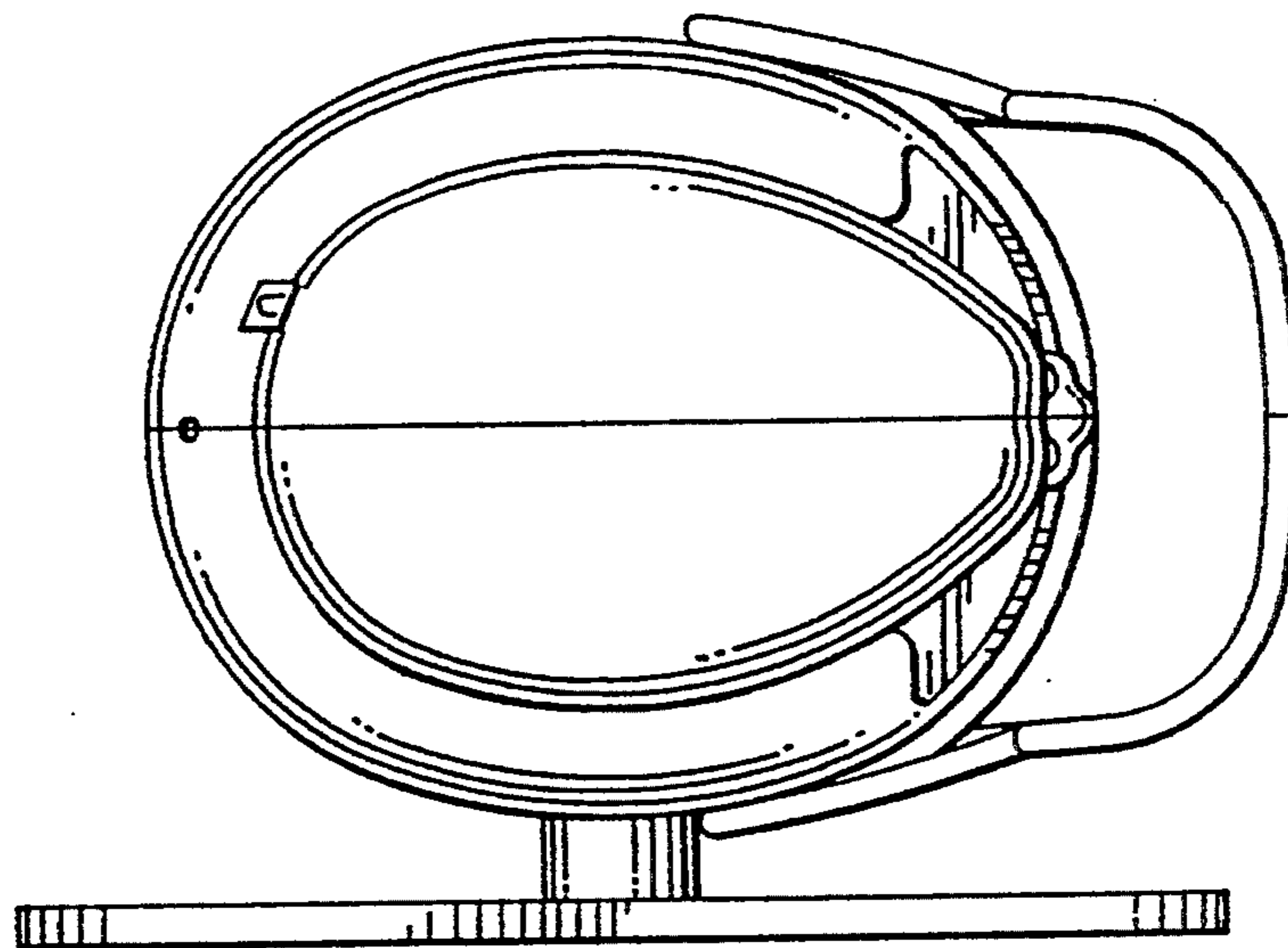


FIG. 5

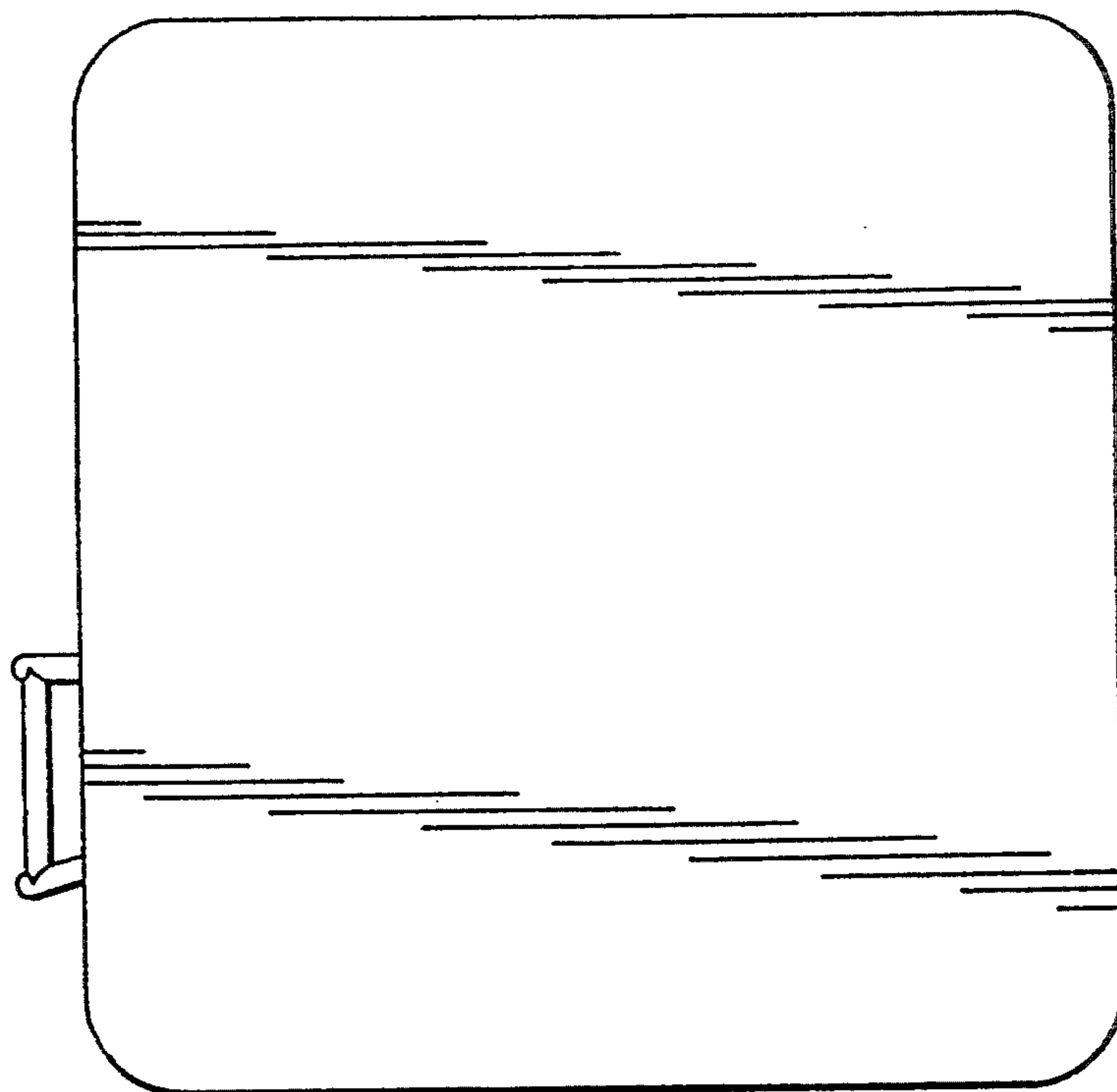


FIG. 6

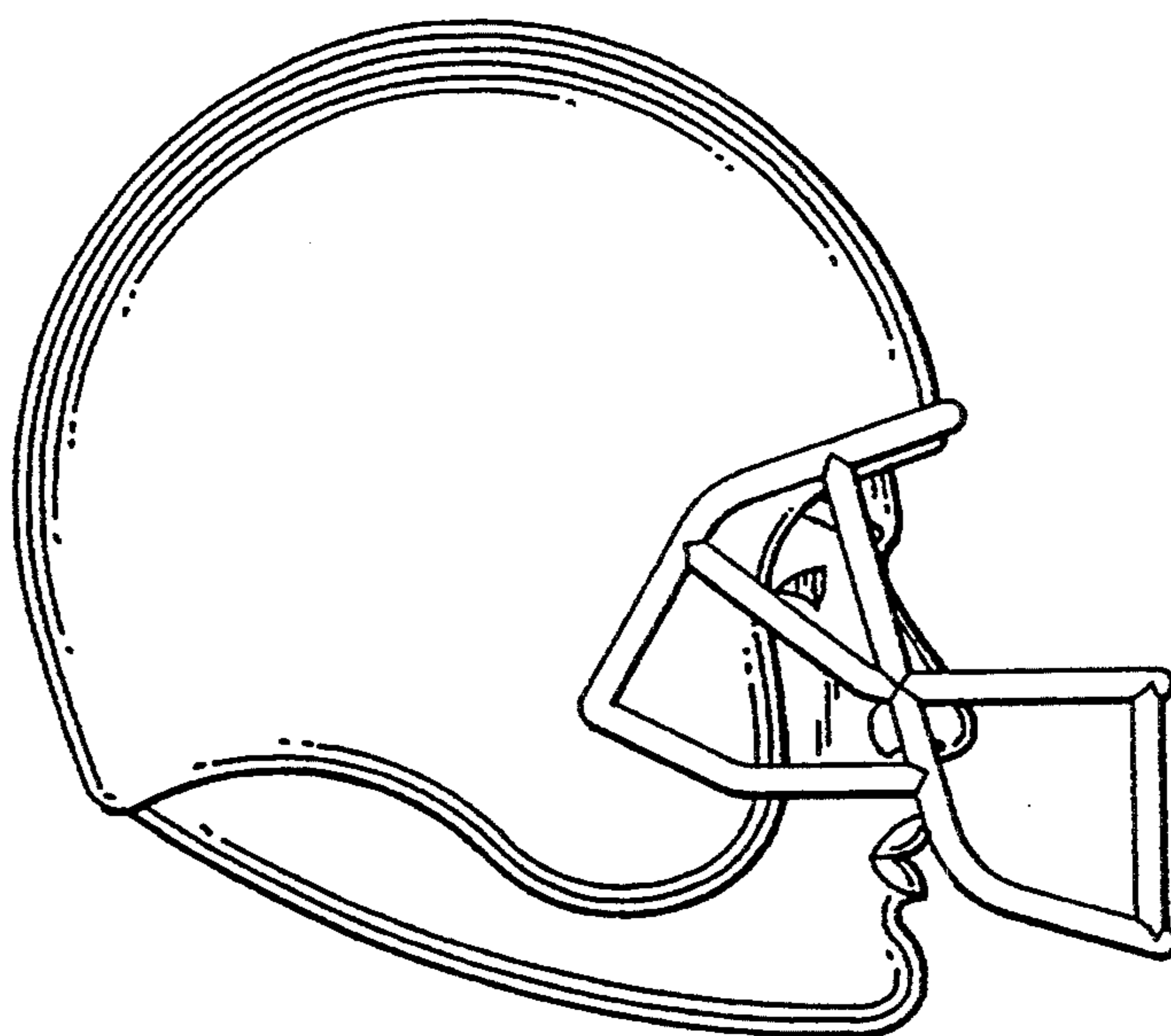


FIG. 7