



US00D360053S

United States Patent [19]

[11] Patent Number: **Des. 360,053**

Wilborn, II et al.

[45] Date of Patent: **** Jul. 4, 1995**

[54] **HAIR ROLLER CLIP**

[75] Inventors: **Harold A. Wilborn, II**, 8442 Mt. Vernon Ct., Wichita, Kans. 67207; **Elwood D. Dague, Jr.**, Wichita, Kans.

[73] Assignee: **Harold A. Wilborn, II**, Wichita, Kans.

[**] Term: **14 Years**

[21] Appl. No.: **15,627**

[22] Filed: **Nov. 23, 1993**

[52] U.S. Cl. **D28/38; D8/395; D8/396; D32/61**

[58] Field of Search **D28/38, 39; D8/394-396, 349; D32/60-62; D9/434; 132/231, 242, 251-254, 259, 260, 273, 276-278, 280; 24/499, 513, 530, 546, 557, 562, 563**

[56] **References Cited**

U.S. PATENT DOCUMENTS

- D. 34,990 8/1901 Smith D28/39
- D. 162,336 3/1951 Oest et al. D11/215
- D. 218,133 7/1970 Gonzales, Jr. D28/75
- D. 276,272 11/1984 Weissenburger D8/396 X
- 884,256 4/1908 Addie 24/546 X

- 3,616,497 11/1971 Esposito, Jr. 24/557 X
- 4,224,955 9/1980 Meyerhoefer et al. 132/251 X
- 4,513,761 4/1985 Van Deursen 132/251

FOREIGN PATENT DOCUMENTS

- 370297 2/1907 France 24/557
- 1064156 5/1954 France 24/557
- 36806 11/1935 Netherlands 132/231
- 165200 11/1958 Sweden 24/557

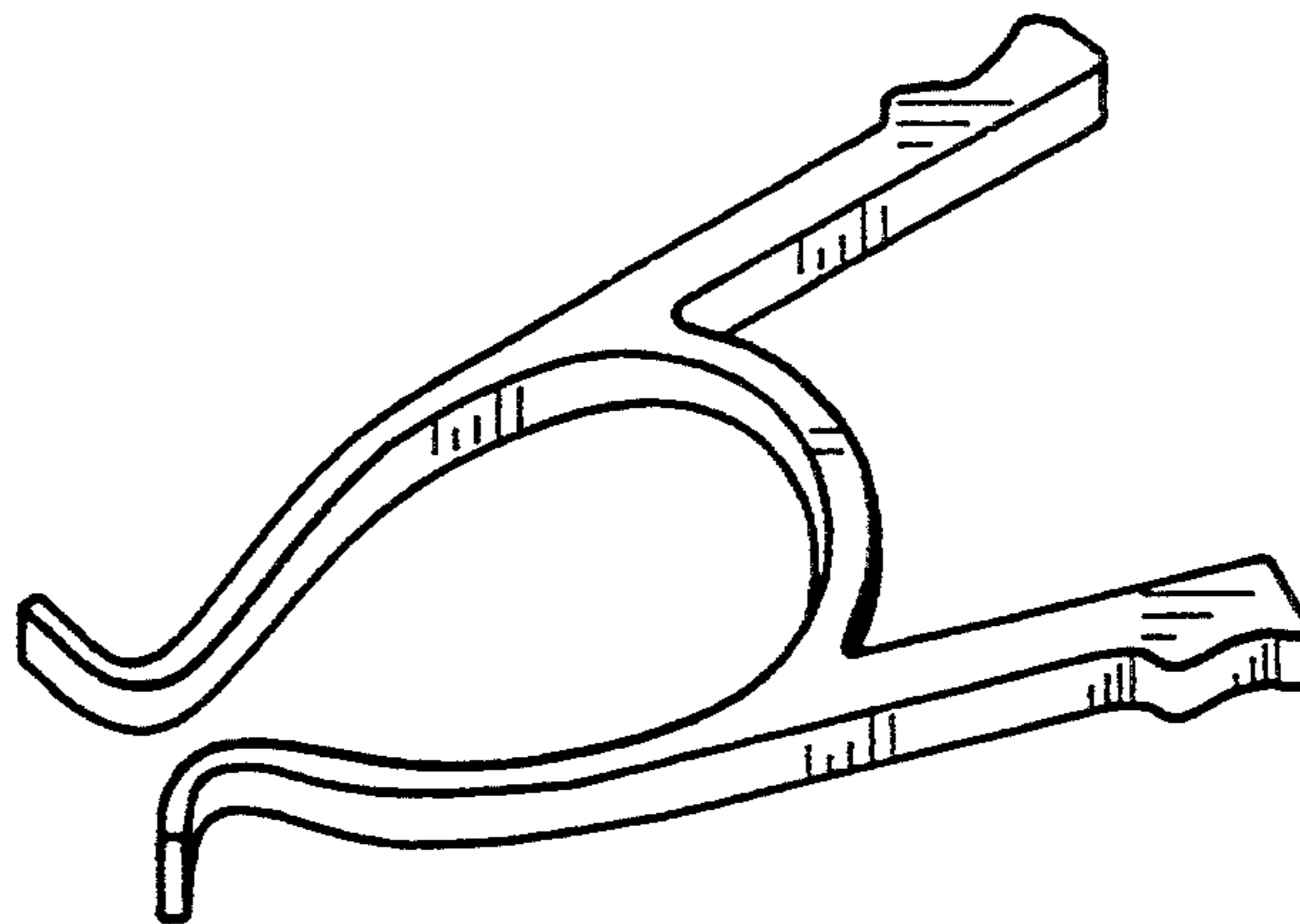
Primary Examiner—Terry A. Wallace
Assistant Examiner—C. Tuttle
Attorney, Agent, or Firm—John Wade Carpenter

[57] **CLAIM**

The ornamental design for a hair roller clip, as shown.

DESCRIPTION

FIG. 1 is a perspective view of the hair roller clip; FIG. 2 is a side view of the roller clip; FIG. 3 is a top plan view of the hair roller clip; FIG. 4 is a bottom plan view of the hair roller clip; FIG. 5 is a side elevational view of the roller clip of the opposite side that is reflected in FIG. 2; FIG. 6 is an end view of the roller clip; and, FIG. 7 is an end view of the roller clip opposite to the end that is reflected in FIG. 6.



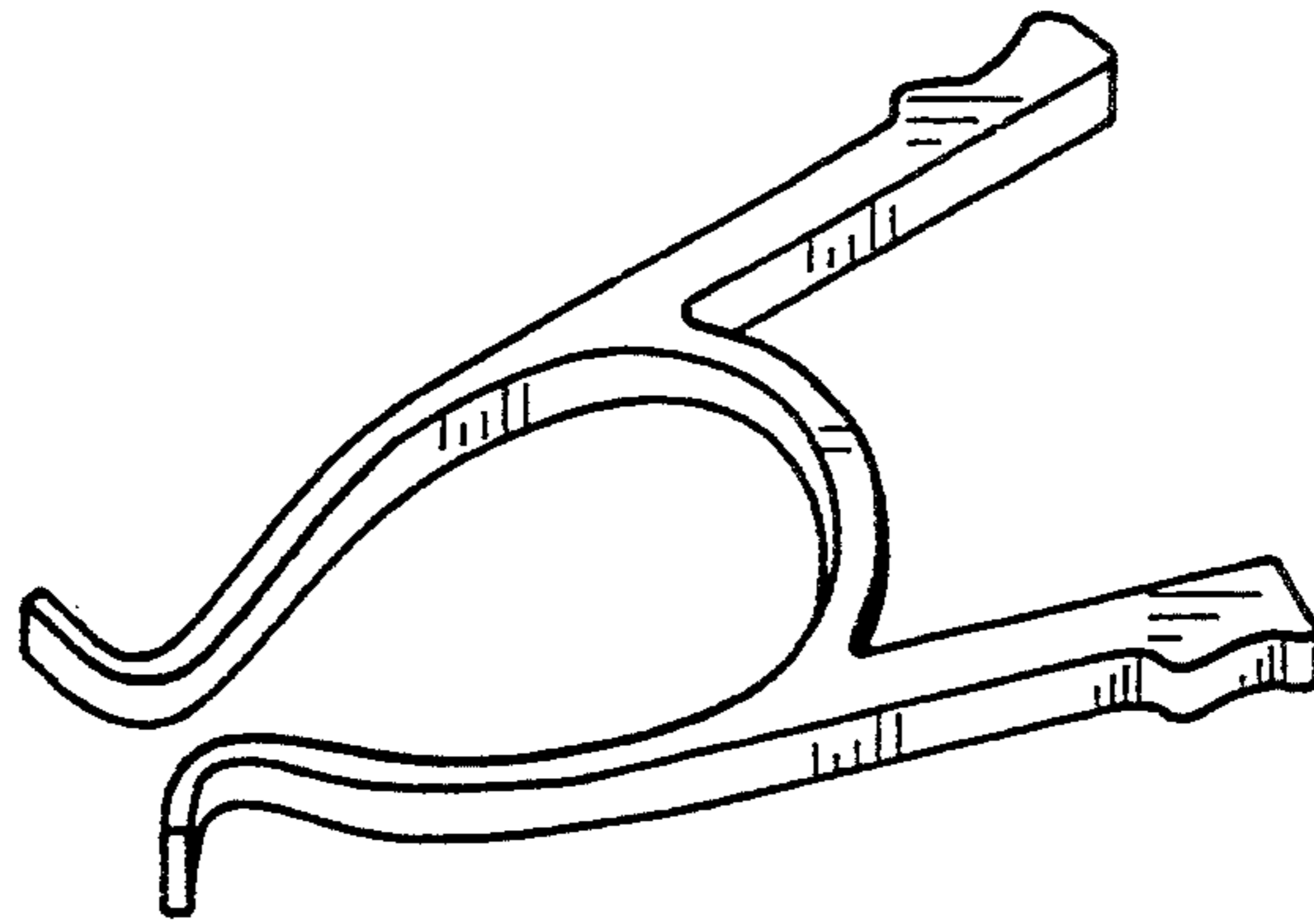


Fig. 1



Fig. 2

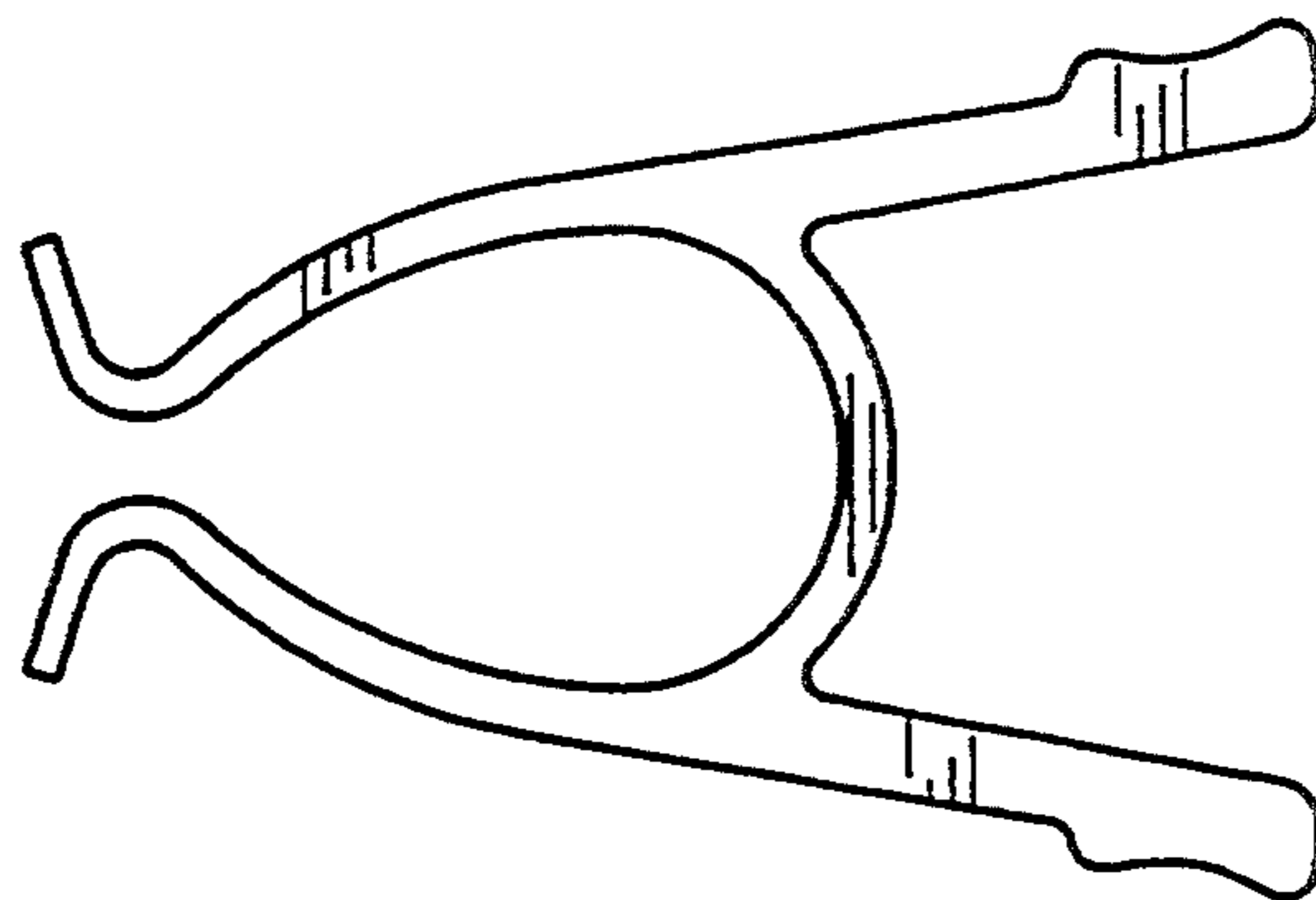


Fig. 3

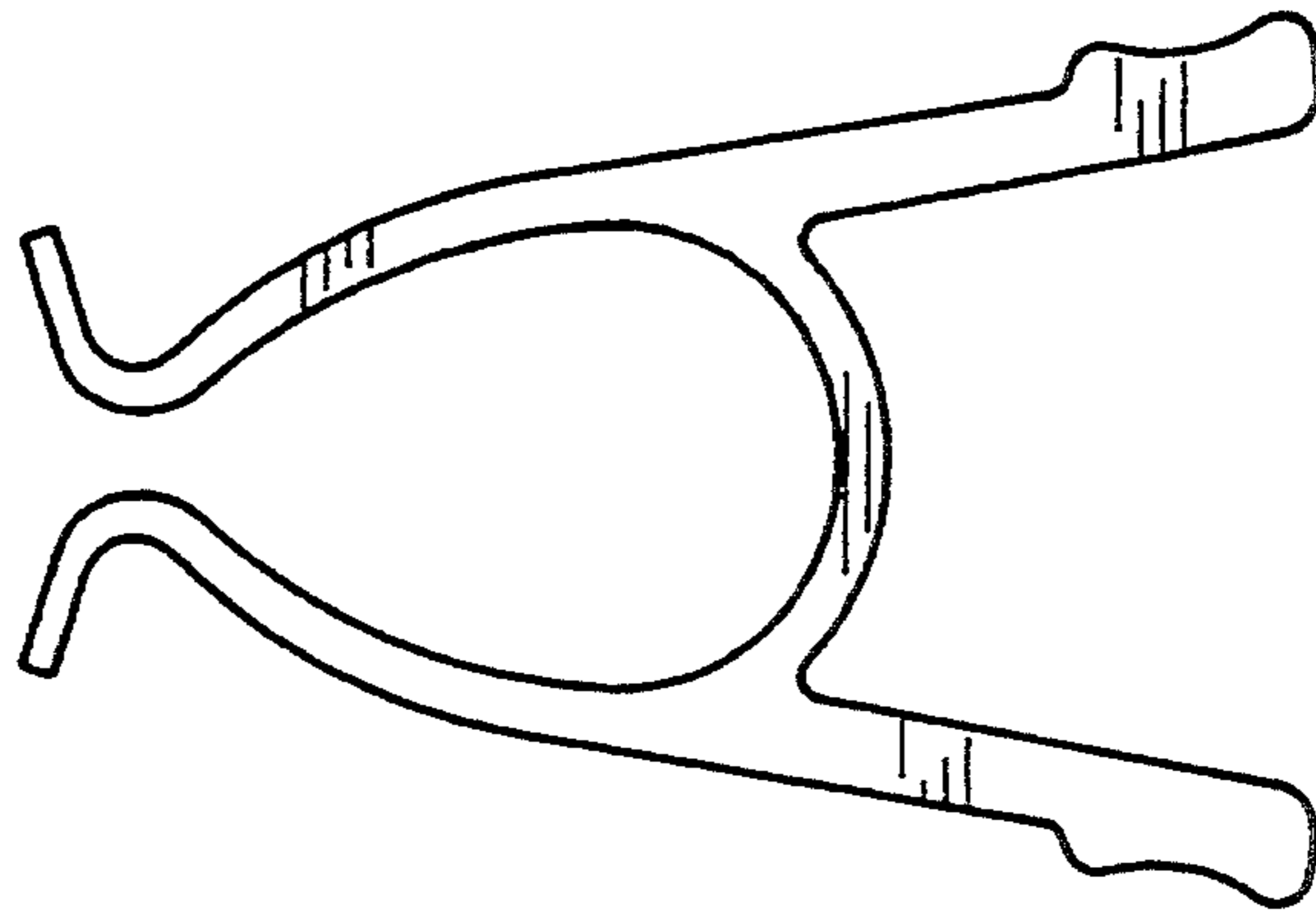


Fig. 4



Fig. 5



Fig. 6



Fig. 7