



US00D360050S

# United States Patent [19]

[11] Patent Number: **Des. 360,050**

Porter

[45] Date of Patent: **\*\* Jul. 4, 1995**

## [54] LAMP BASE

## DESCRIPTION

[75] Inventor: **David H. Porter, Chagrin Falls, Ohio**

FIG. 1 is a perspective view of a lamp base showing my new design;

[73] Assignee: **The L.D. Kichler Co., Cleveland, Ohio**

FIG. 2 is a front elevational view thereof, the rear elevational view being a mirror image thereof;

[\*\*] Term: **14 Years**

FIG. 3 is a right side elevational view thereof;

[21] Appl. No.: **19,246**

FIG. 4 is a left side elevational view thereof;

[22] Filed: **Feb. 25, 1994**

FIG. 5 is a bottom view thereof;

[52] U.S. Cl. .... **D26/106**

FIG. 6 is a top plan view thereof;

[58] Field of Search ..... **D26/93, 102-112; 362/410-414**

FIG. 7 is a perspective view showing a second embodiment of a lamp base showing my new design;

FIG. 8 is a front elevational view thereof, the rear elevational view being a mirror image thereof;

## [56] References Cited

### U.S. PATENT DOCUMENTS

- D. 75,348 5/1928 Beardsley ..... D26/107
- D. 79,496 10/1929 Bray ..... D26/107
- D. 145,340 7/1946 Thodos ..... D26/106
- D. 152,573 2/1949 Schultz ..... D26/110

FIG. 9 is a right side elevational view thereof;

FIG. 10 is a left side elevational view thereof;

FIG. 11 is a top plan view thereof;

FIG. 12 is a bottom plan view thereof;

FIG. 13 shows a perspective view of a third embodiment of a lamp base showing my new design;

FIG. 14 is a front elevational view thereof, the rear elevational view being a mirror image thereof;

FIG. 15 is a right side elevational view thereof;

FIG. 16 is a left side elevational view thereof;

FIG. 17 is a top plan view thereof; and,

FIG. 18 is a bottom plan view thereof.

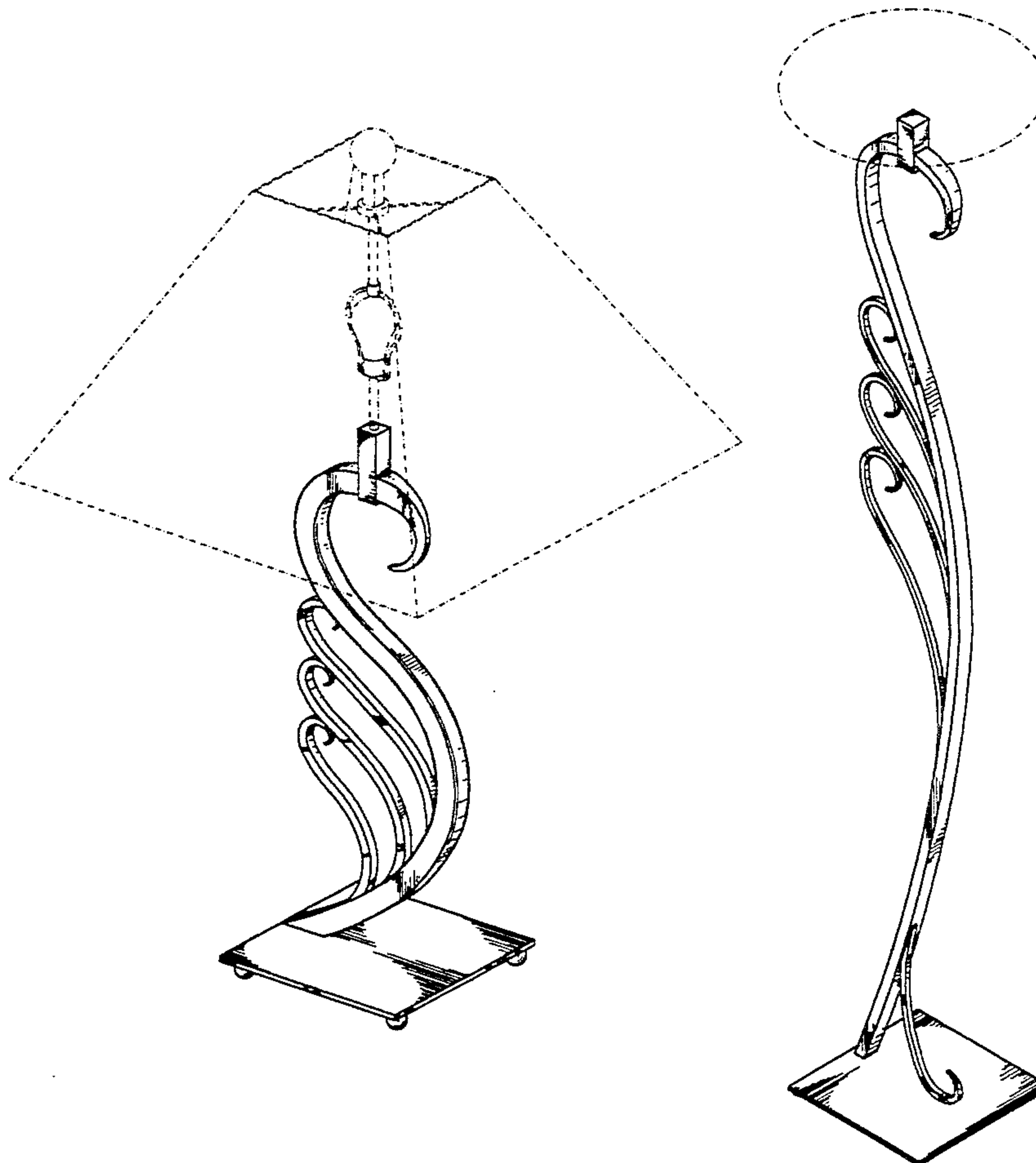
*Primary Examiner*—Susan J. Lucas

*Attorney, Agent, or Firm*—Watts, Hoffmann, Fisher & Heinke

The broken lines are shown for illustrative purposes only and form no part of the claimed design.

## [57] CLAIM

The ornamental design for a lamp base, as shown and described.



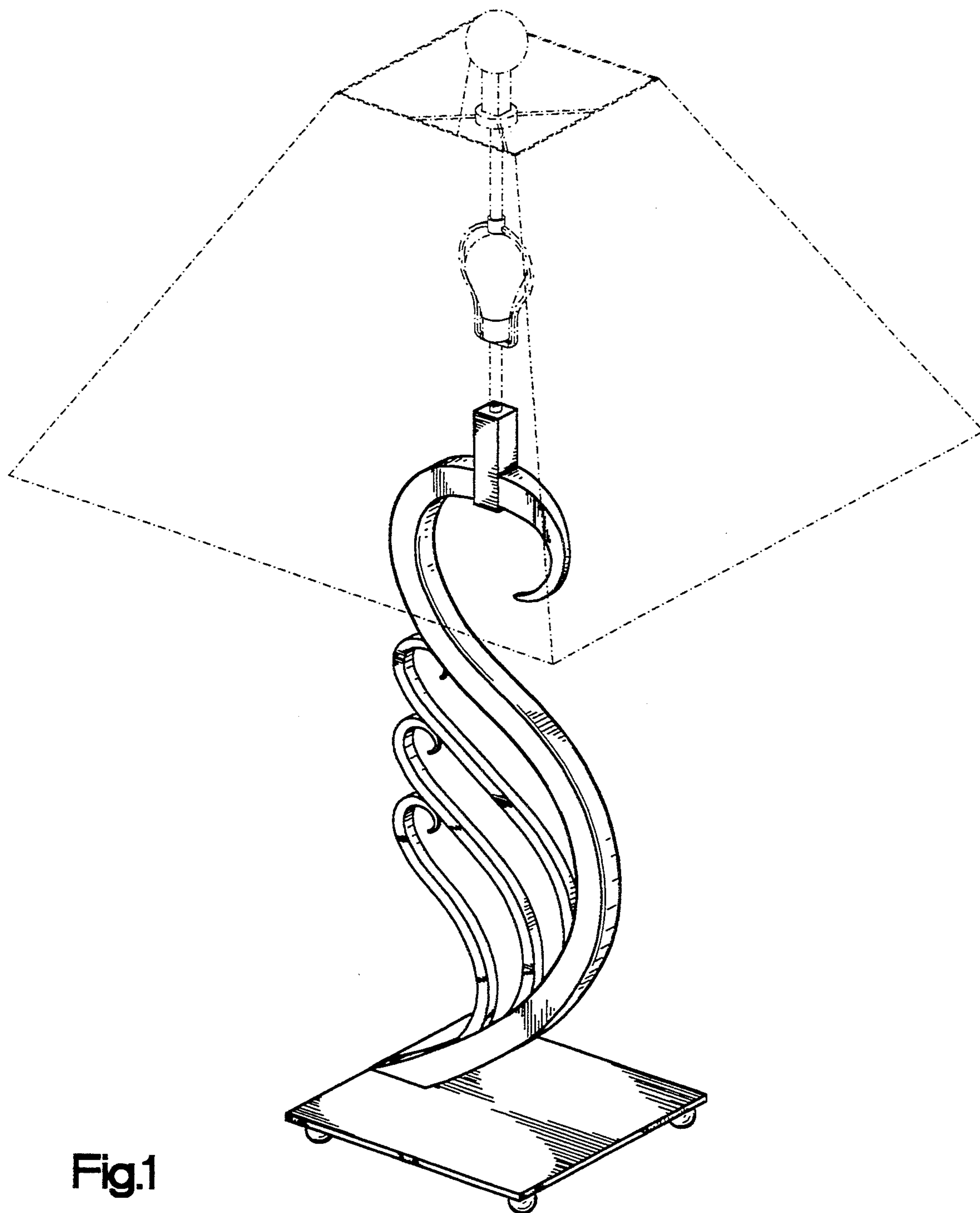


Fig.1

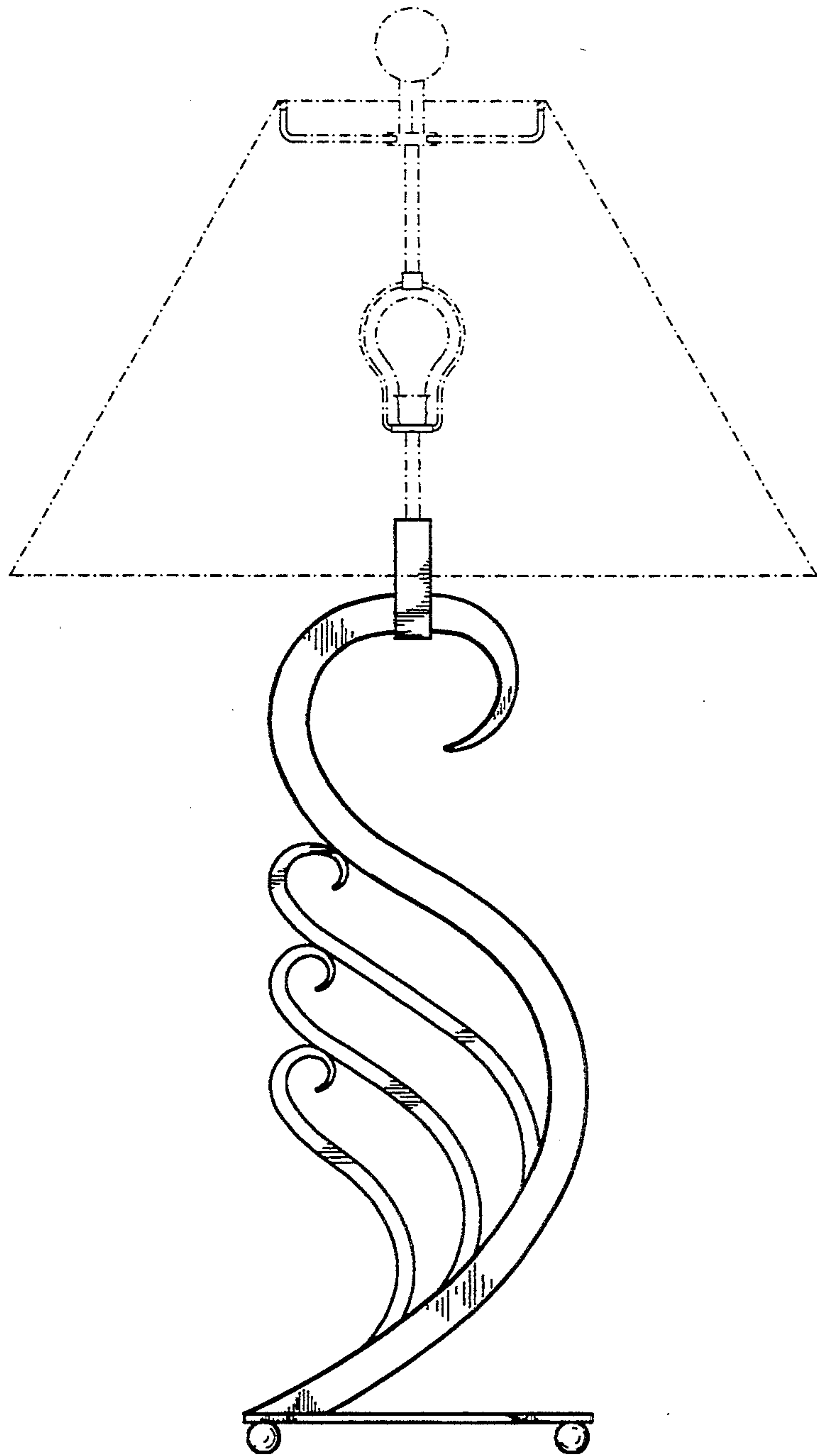


Fig.2

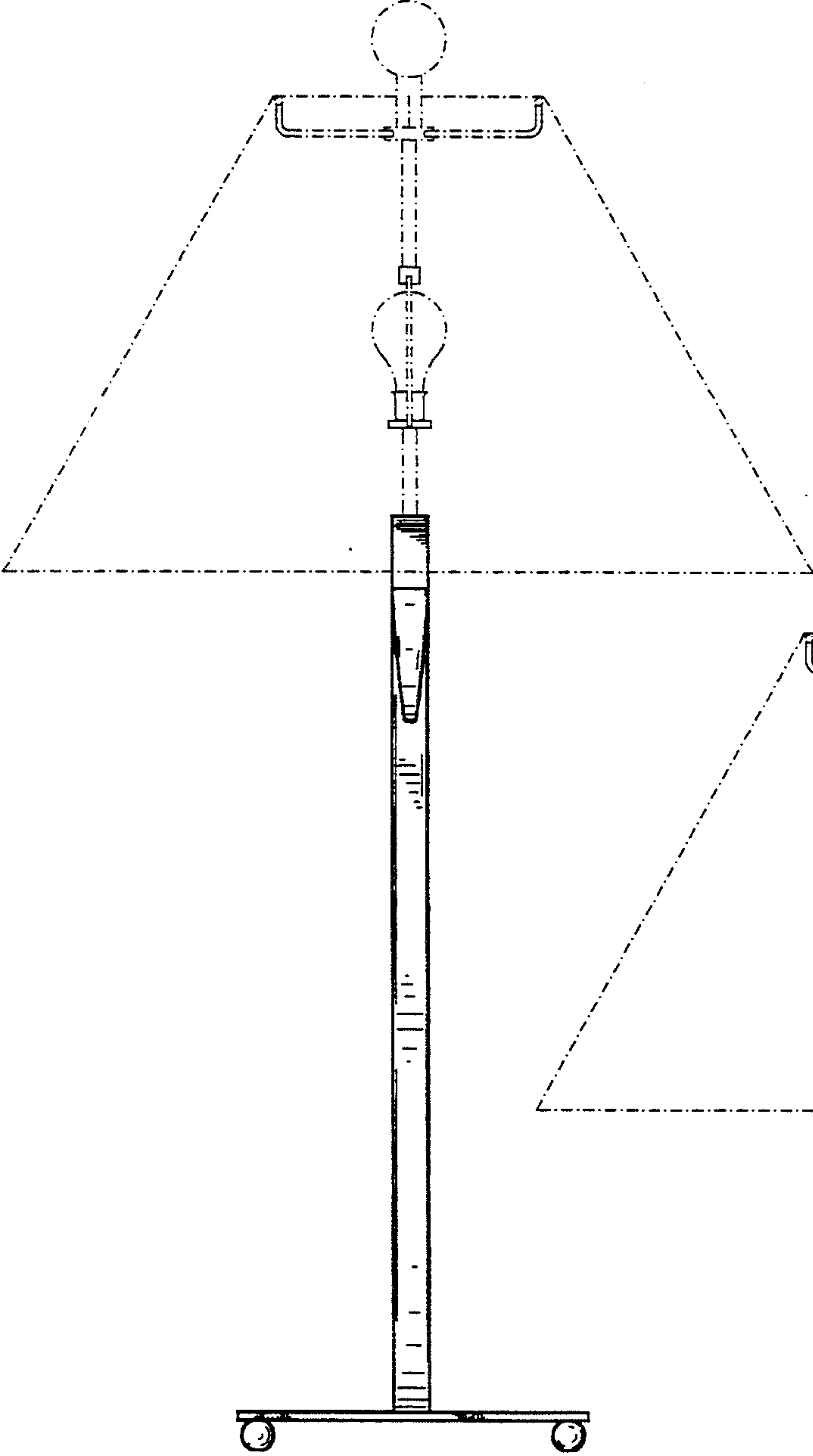


Fig.3

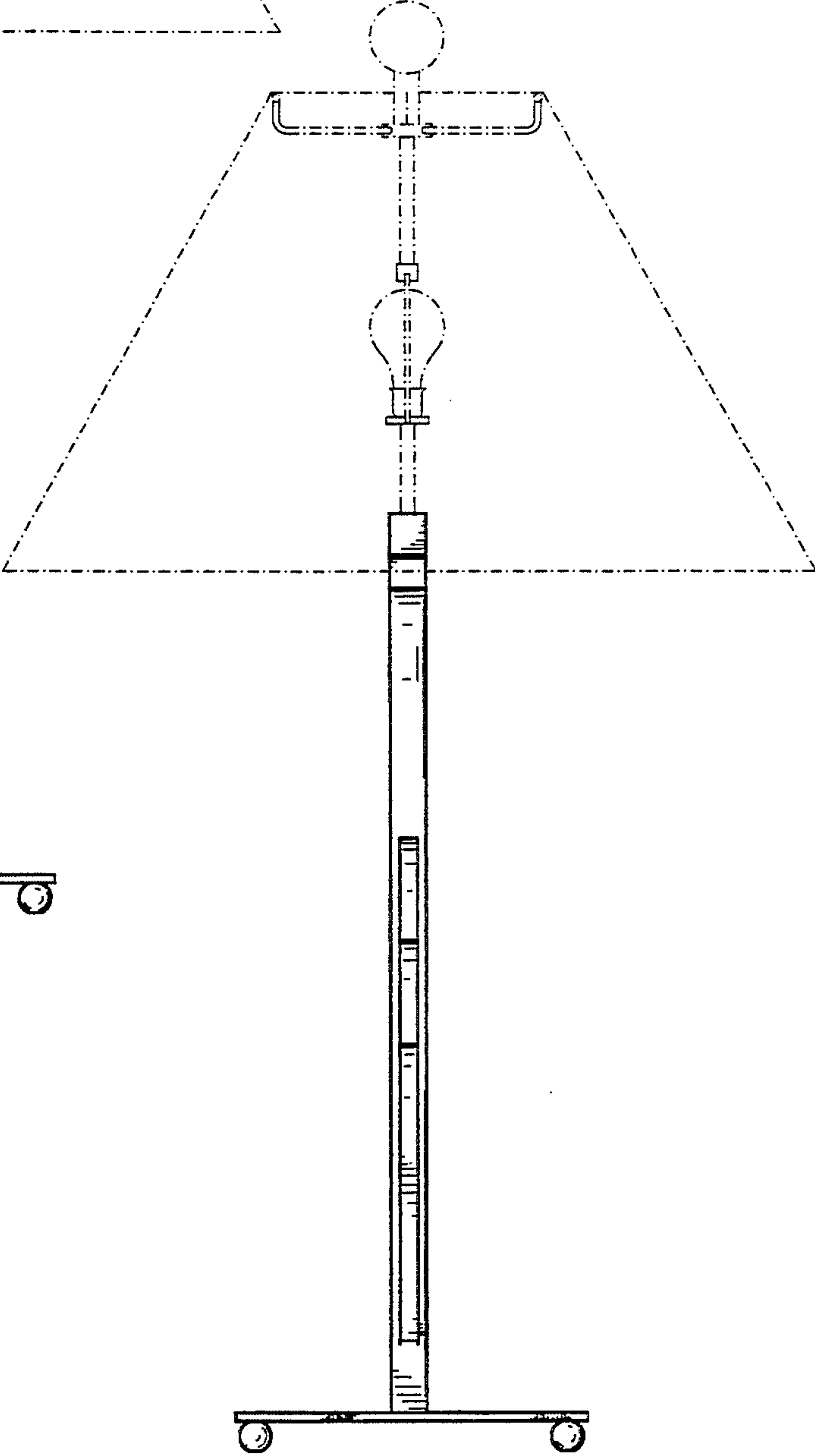


Fig.4

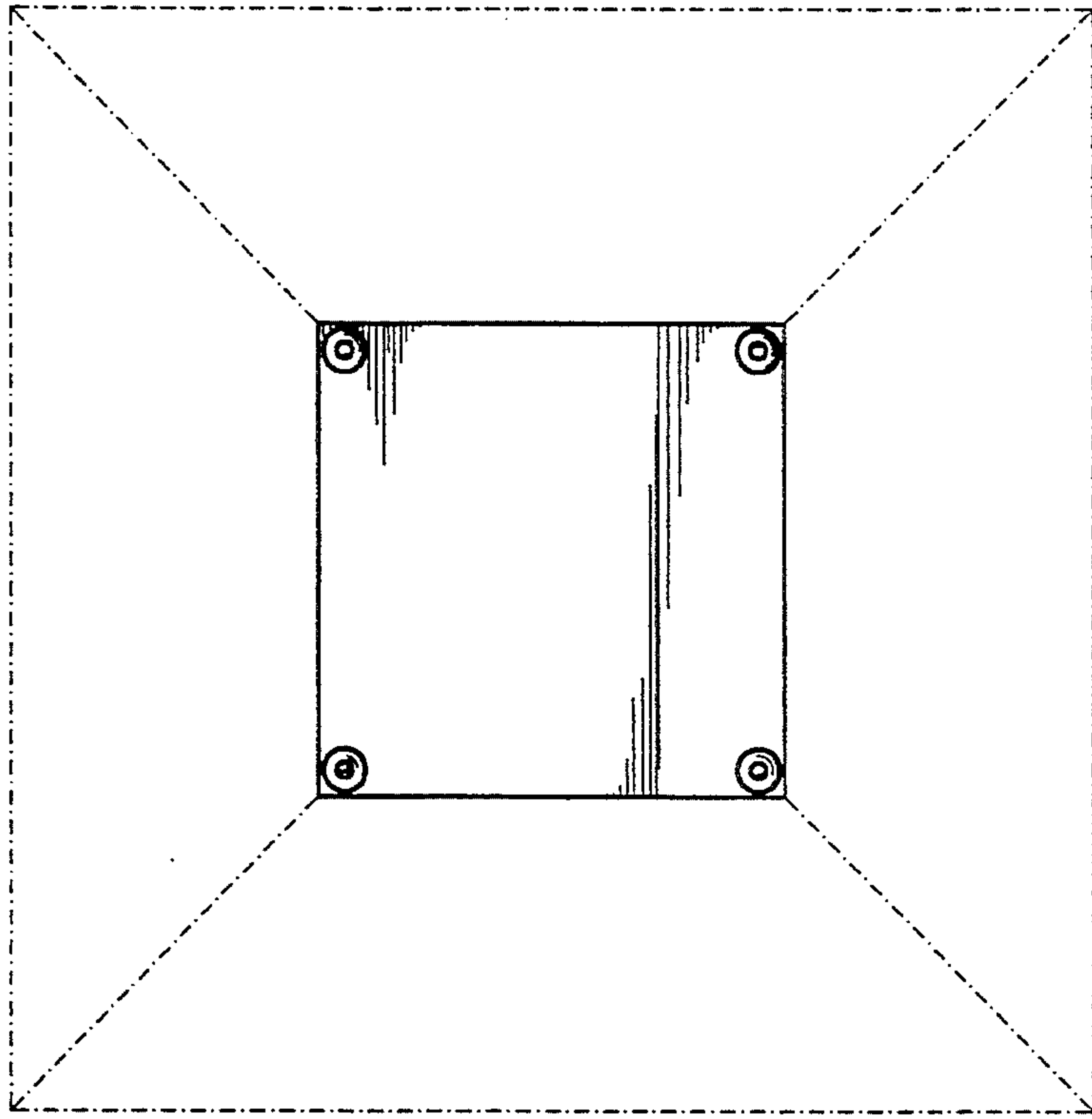


Fig.5

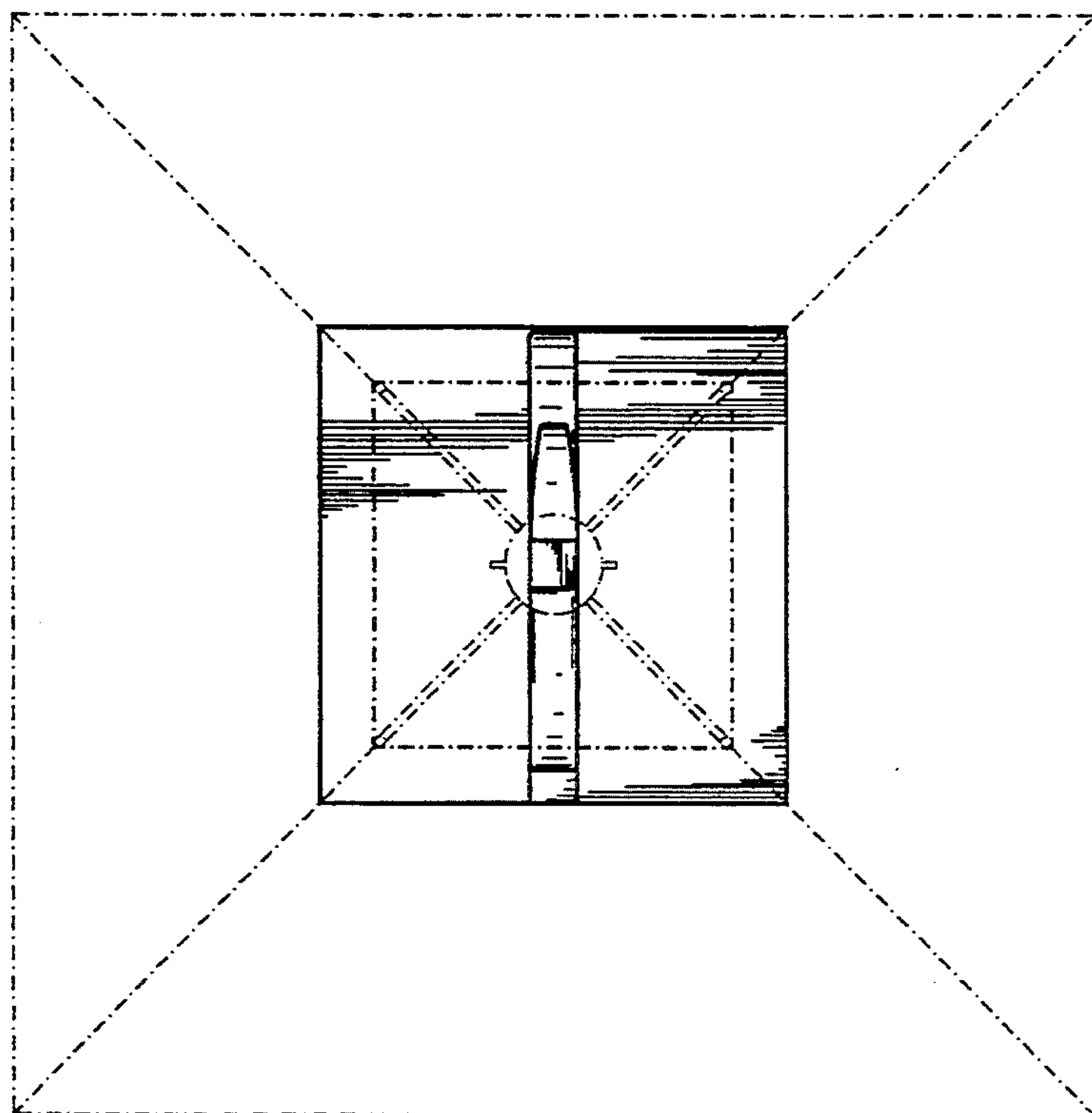


Fig.6



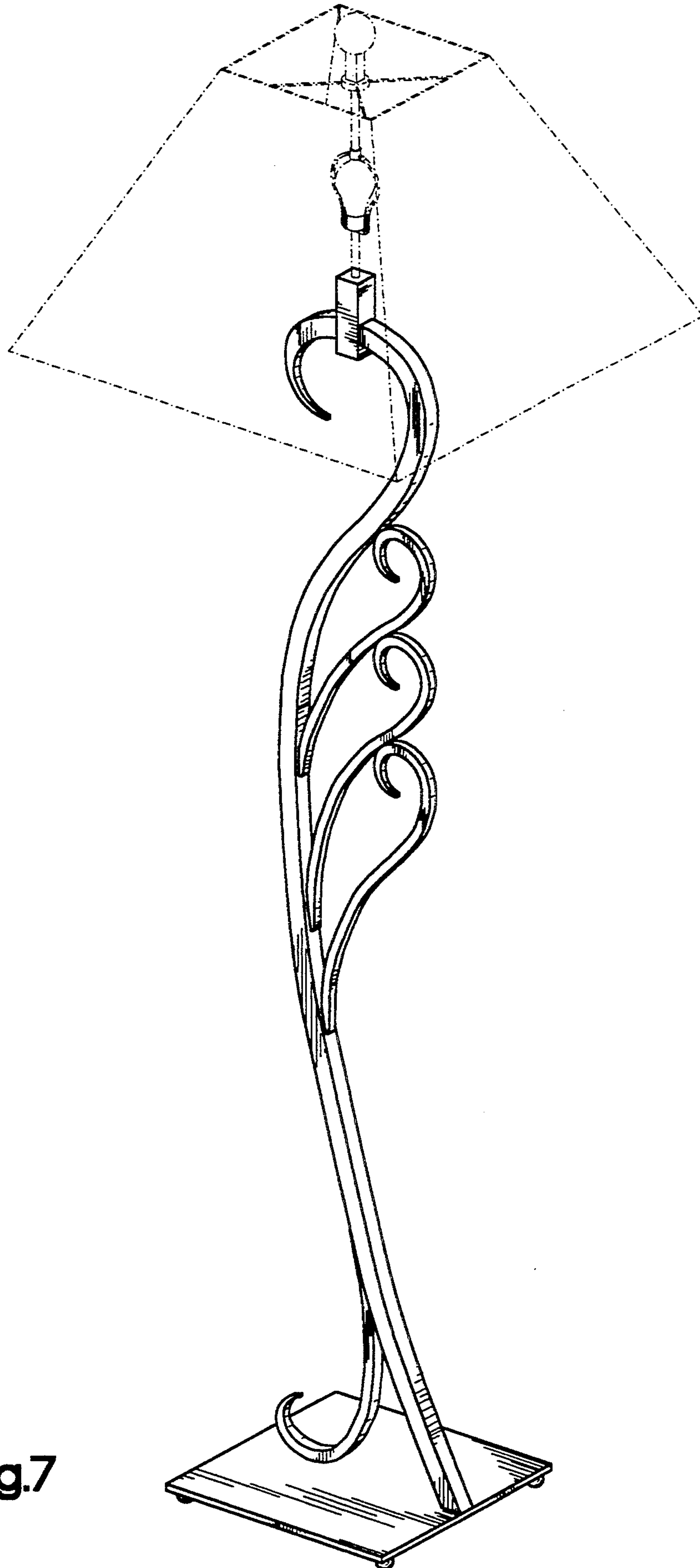
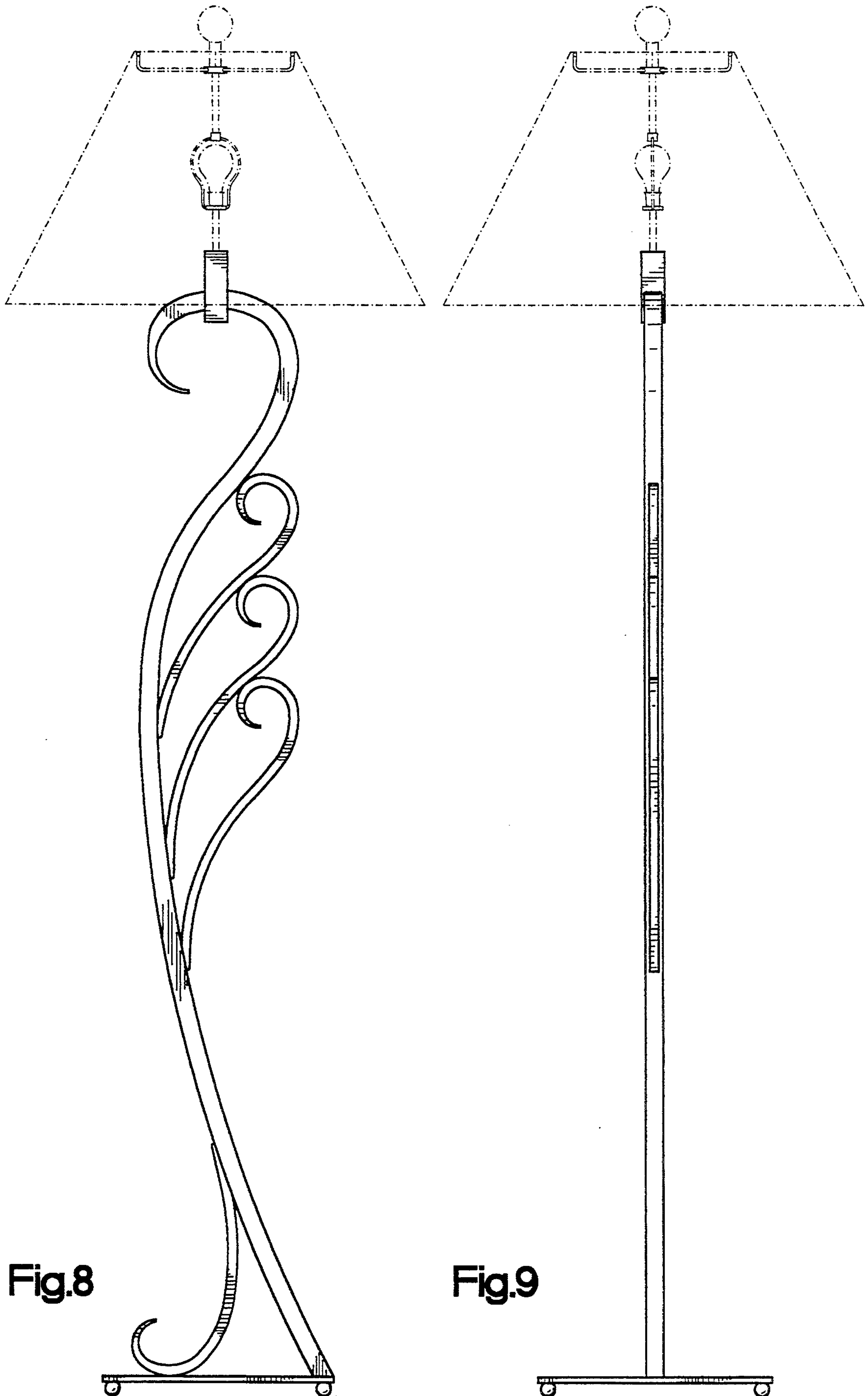


Fig.7



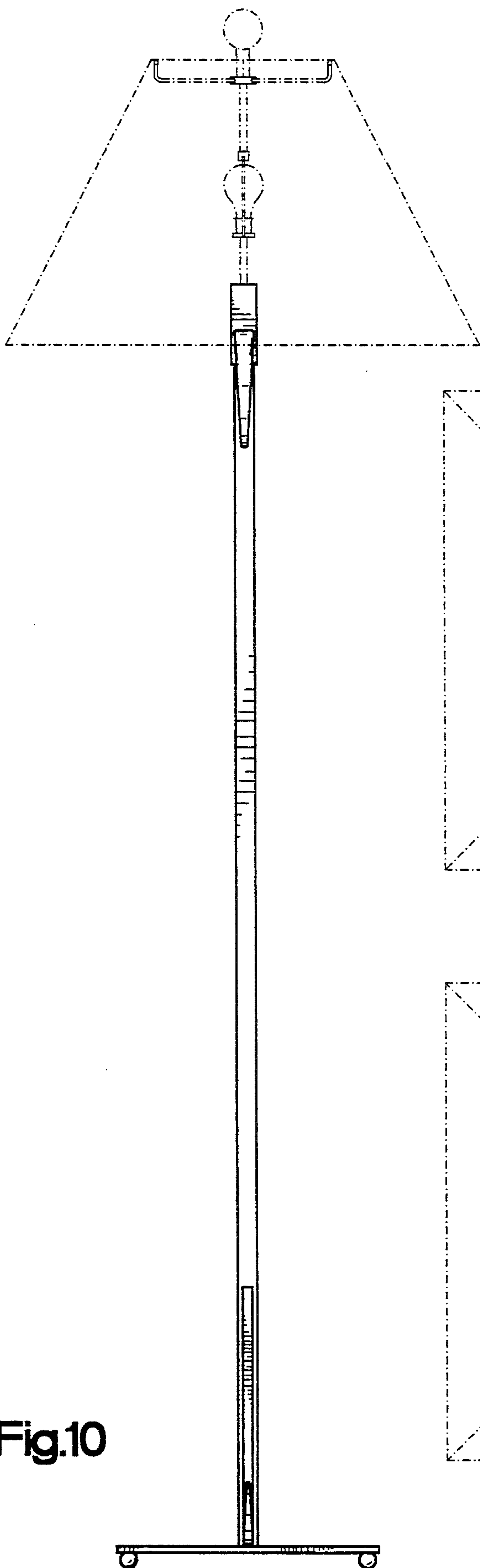


Fig.10

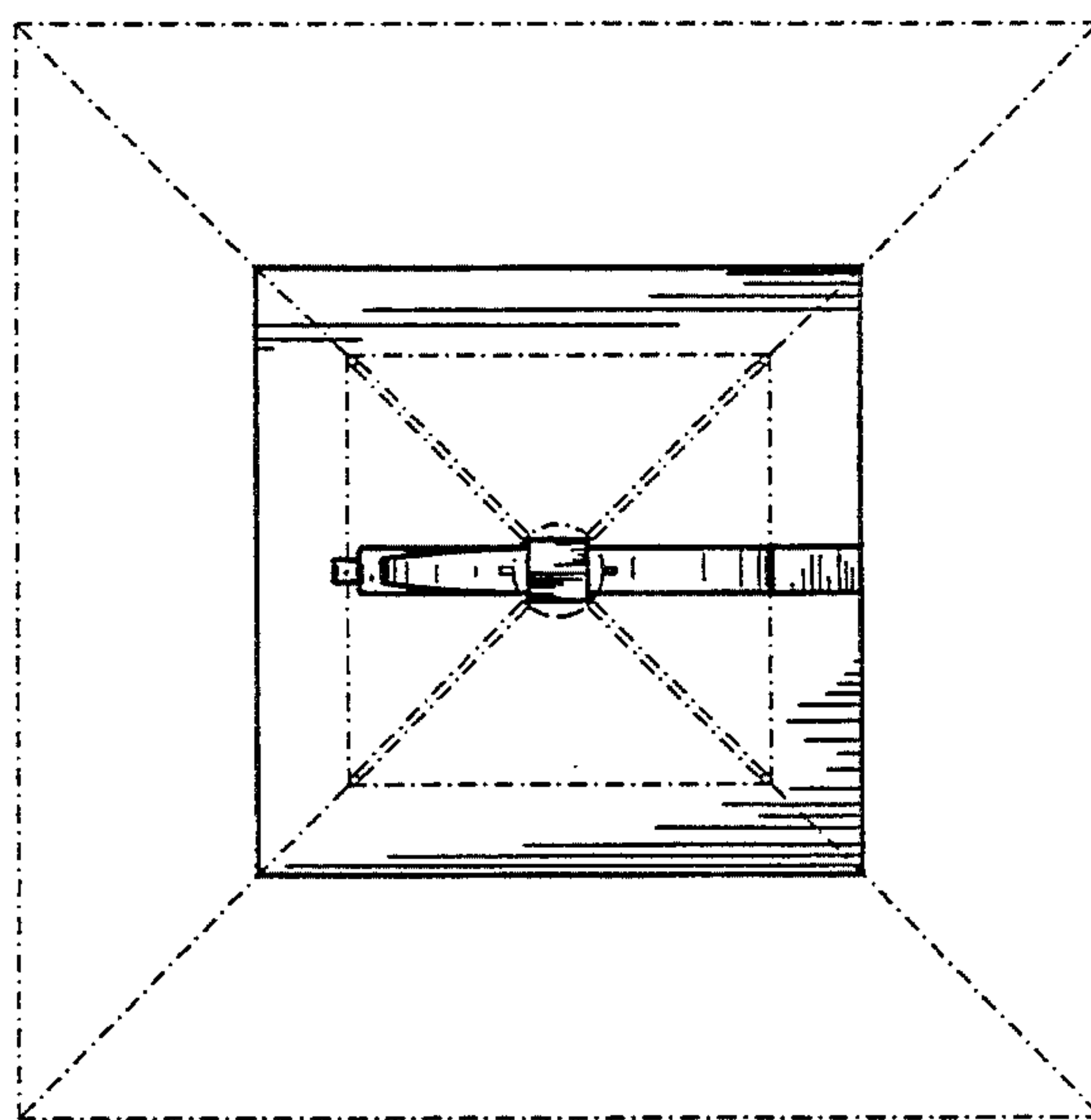


Fig.11

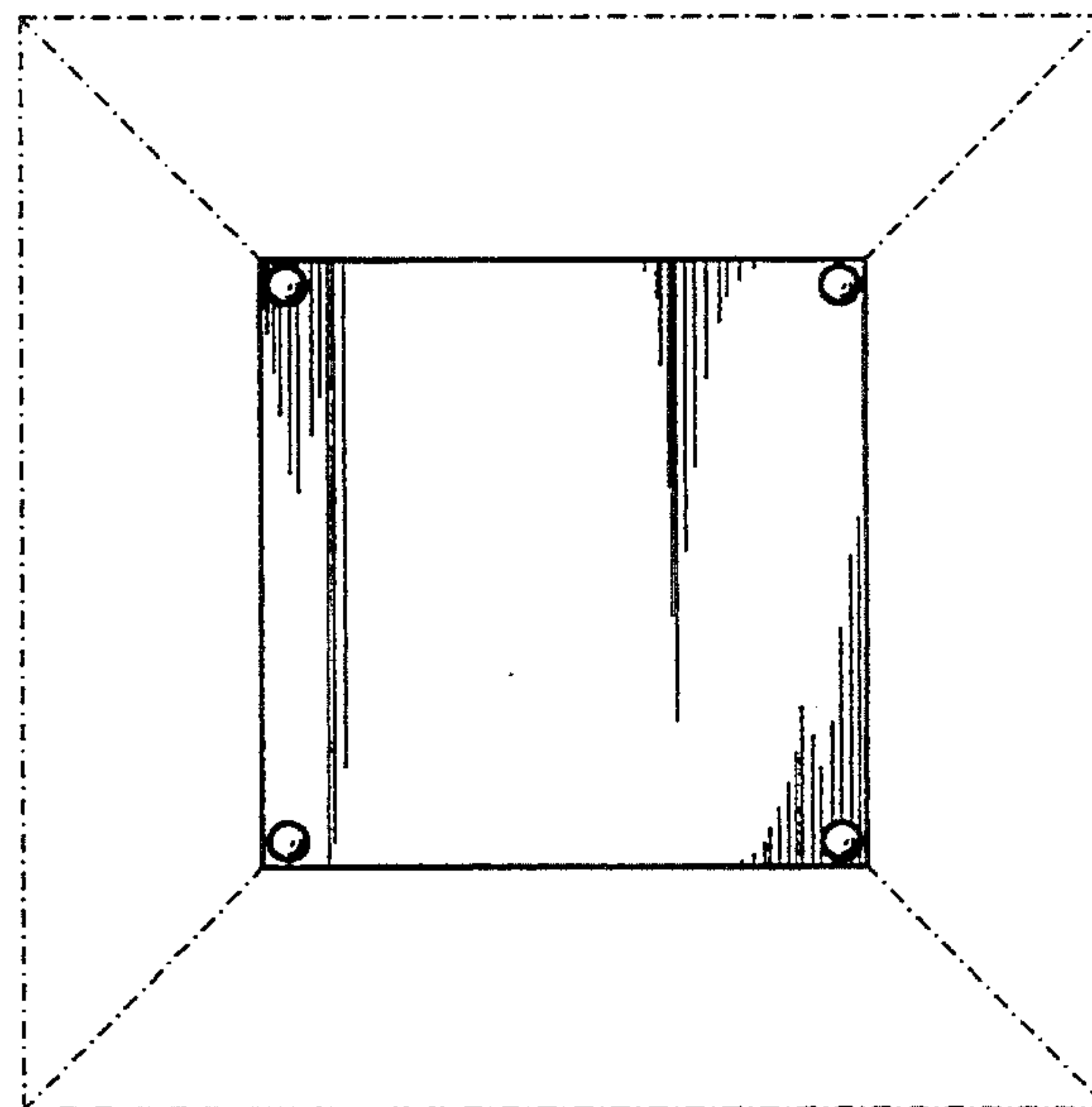


Fig.12



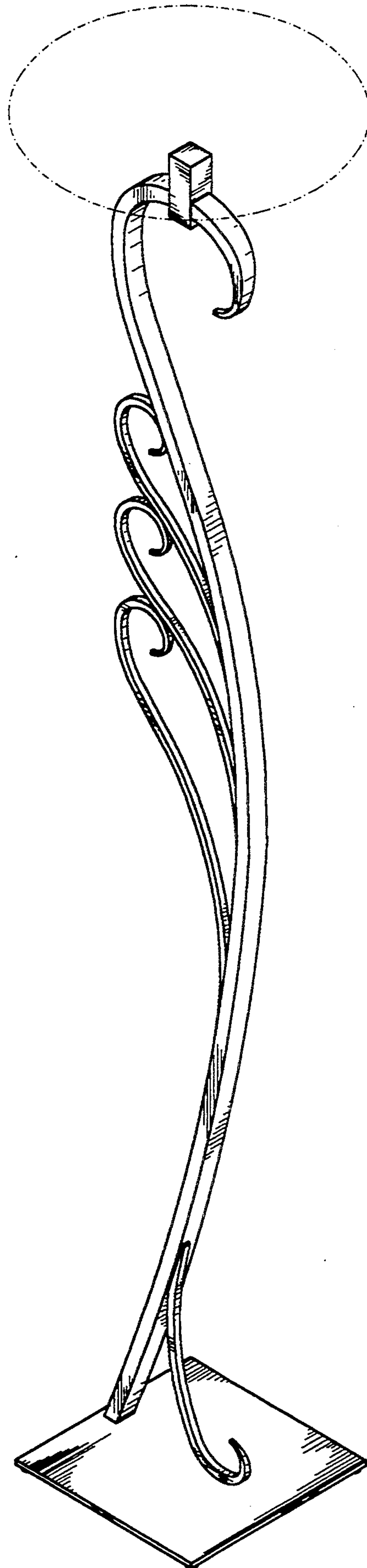


Fig.13

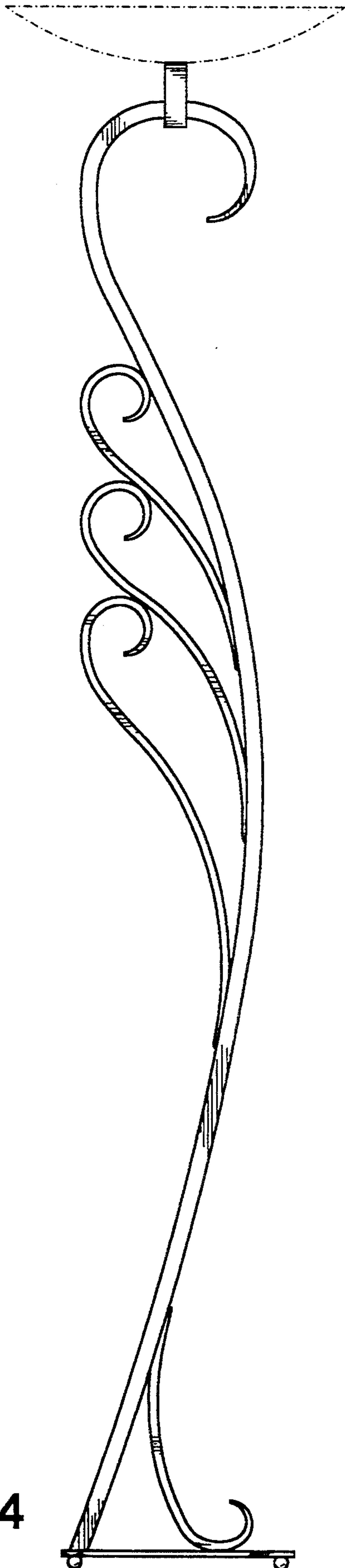


Fig.14

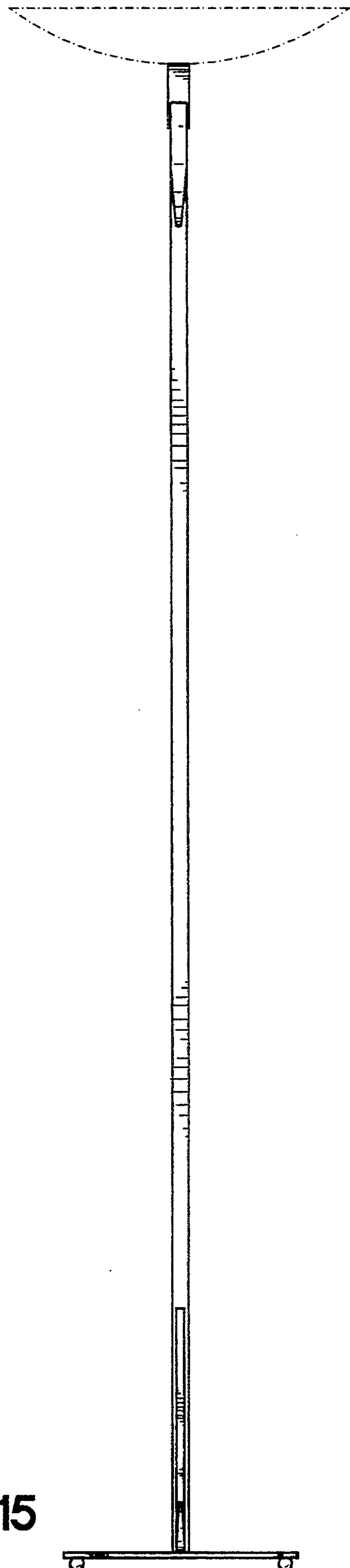


Fig.15

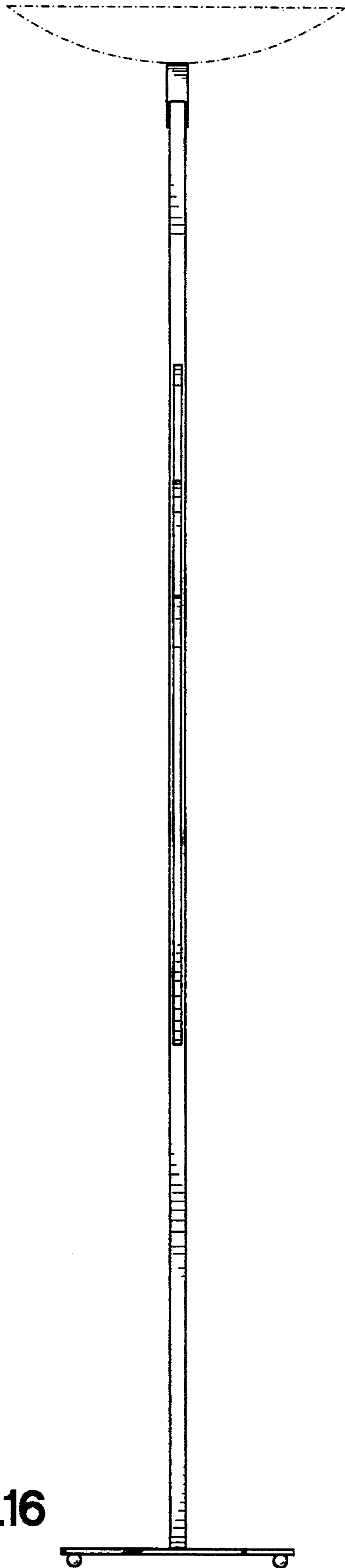


Fig.16

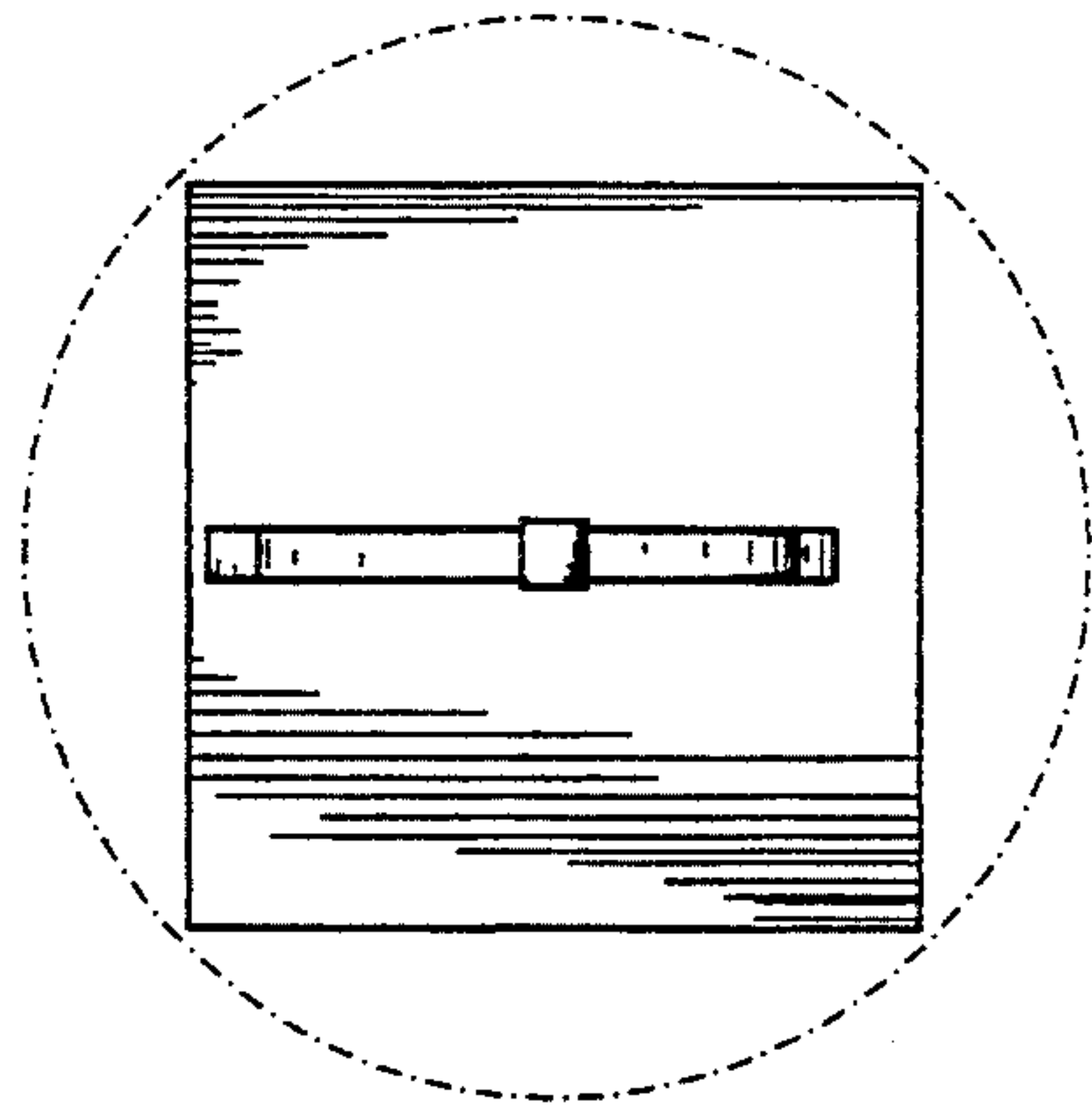


Fig.17

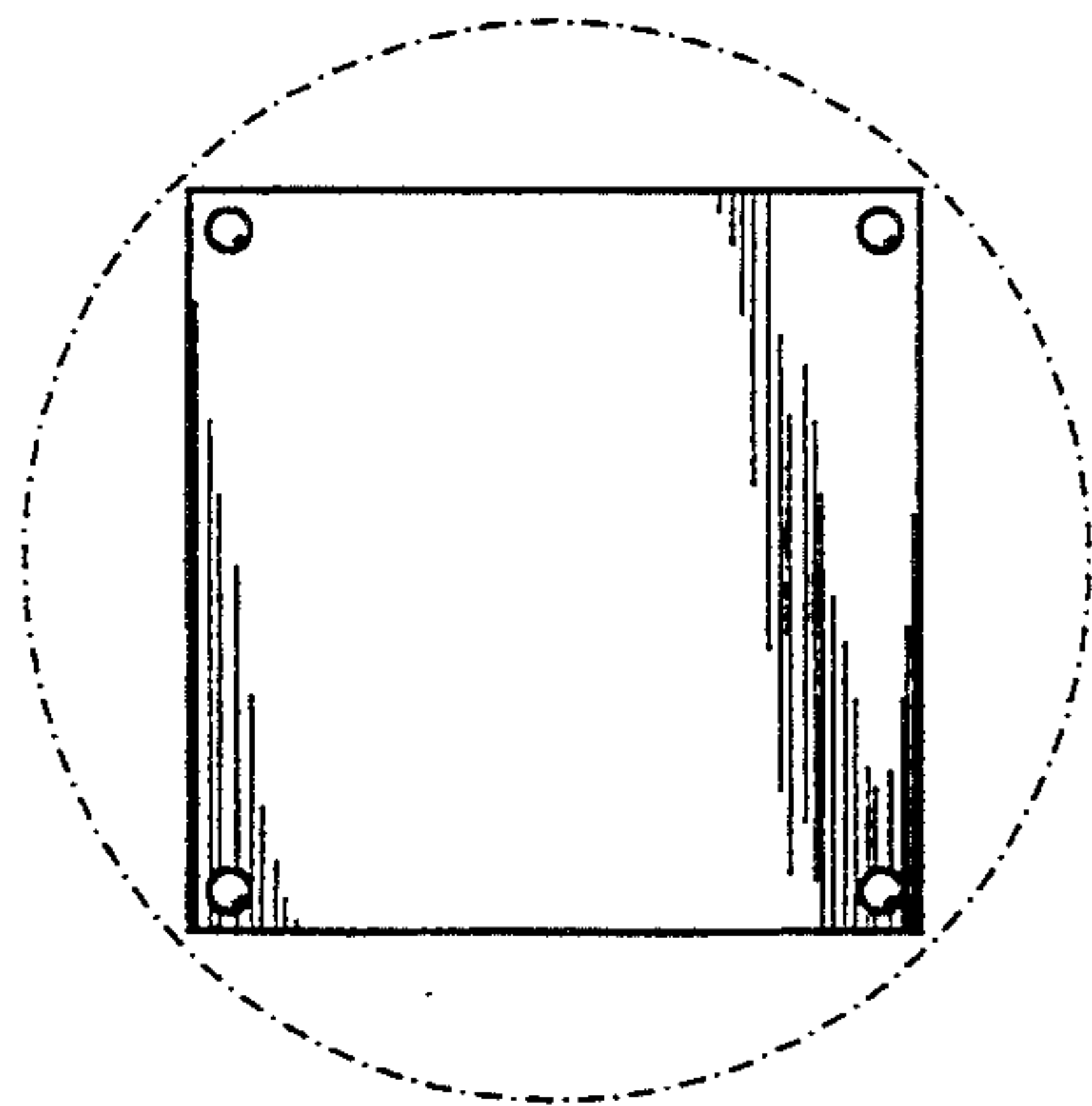


Fig.18