



US00D360049S

United States Patent [19]

[11] Patent Number: **Des. 360,049**

Shemitz

[45] Date of Patent: **** Jul. 4, 1995**

[54] **SEMI-RECESSED LUMINAIRE**

4,796,169 1/1989 Shemitz 362/432 X

[75] Inventor: **Sylvan R. Shemitz**, Woodbridge, Conn.

OTHER PUBLICATIONS

SPI Lighting, "Semi-Recessed Wall Wash Unit ECR SR/EDR SR 1 and 2", SPI Lighting, Inc., Catalog Insert pp. 392-435 (1992).

[73] Assignee: **Sylvan R. Shemitz Associates, Inc.**, West Haven, Conn.

Primary Examiner—Susan J. Lucas
Attorney, Agent, or Firm—Fish & Neave; Jeffrey H. Ingerman

[**] Term: **14 Years**

[21] Appl. No.: **21,920**

[57] CLAIM

The ornamental design for a semi-recessed luminaire, as shown and described.

[22] Filed: **Apr. 26, 1994**

[52] U.S. Cl. **D26/74; D26/63; D26/85**

[58] Field of Search **D26/74, 72, 80-92, D26/61, 63, 65; 362/147, 432, 404-408, 269, 275, 285, 418, 419, 427**

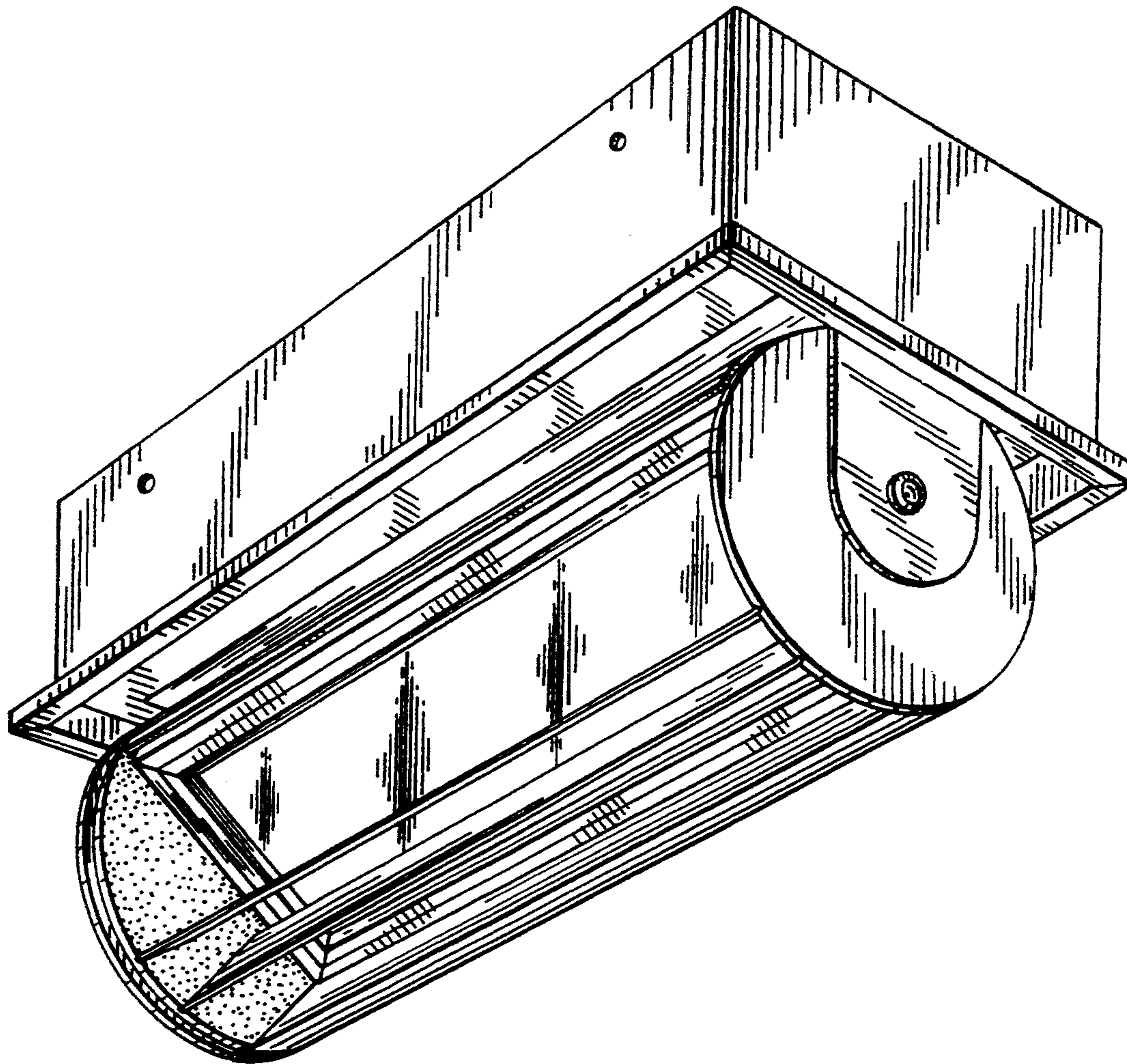
DESCRIPTION

FIG. 1 is a front, right, bottom perspective view of a semi-recessed luminaire, showing my new design; FIG. 2 is a left side elevational view thereof, the right side elevational view being a mirror image; FIG. 3 is a top plan view thereof; FIG. 4 is a front elevational view thereof; FIG. 5 is a rear elevational view thereof; and, FIG. 6 is a bottom plan view thereof.

[56] References Cited

U.S. PATENT DOCUMENTS

- D. 308,260 5/1990 Shemitz D26/63 X
- D. 312,886 12/1990 Brown D26/63
- D. 349,173 7/1994 Fellingner D26/85



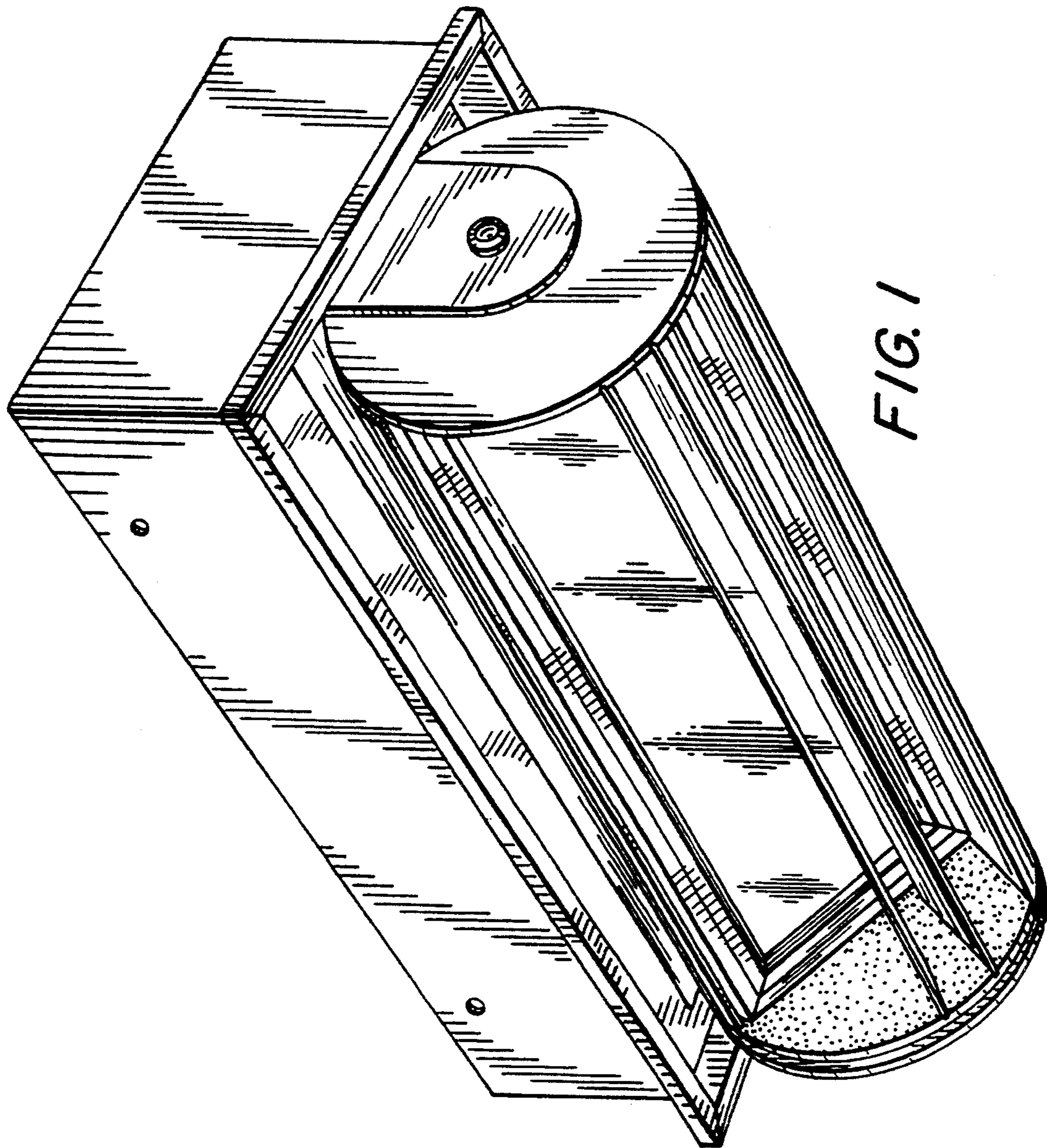


FIG. 1

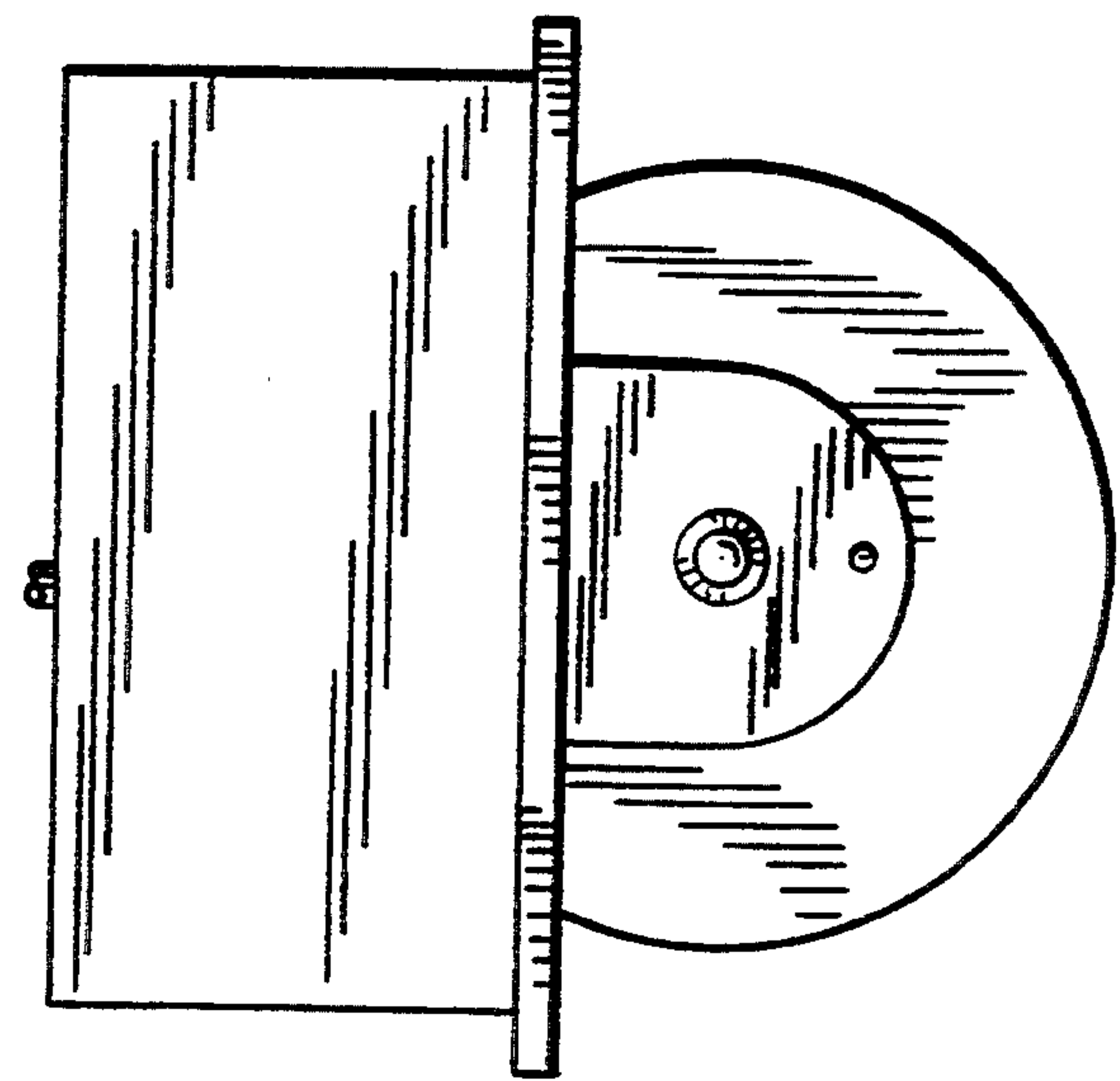


FIG. 2

FIG. 3

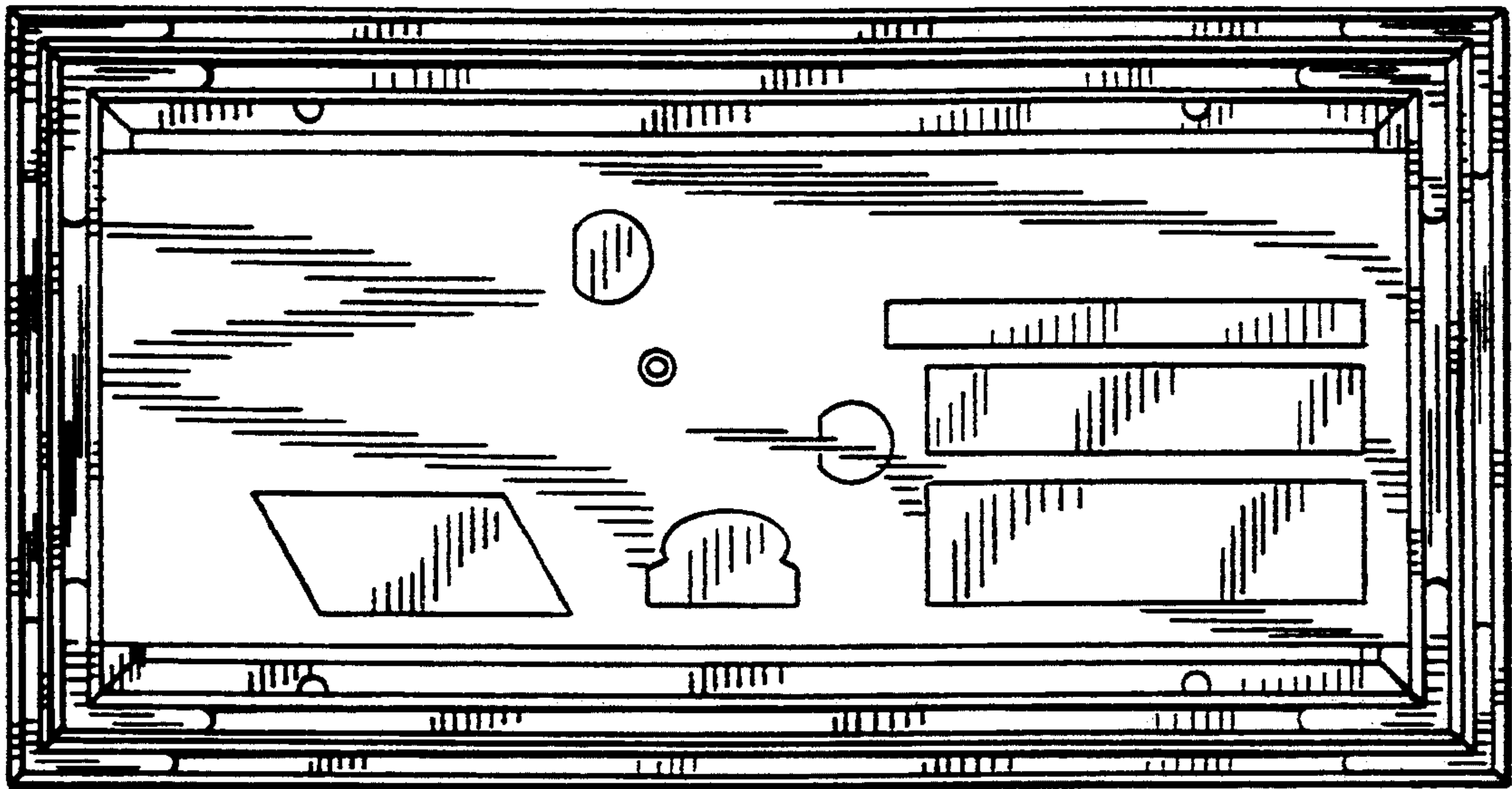


FIG. 4

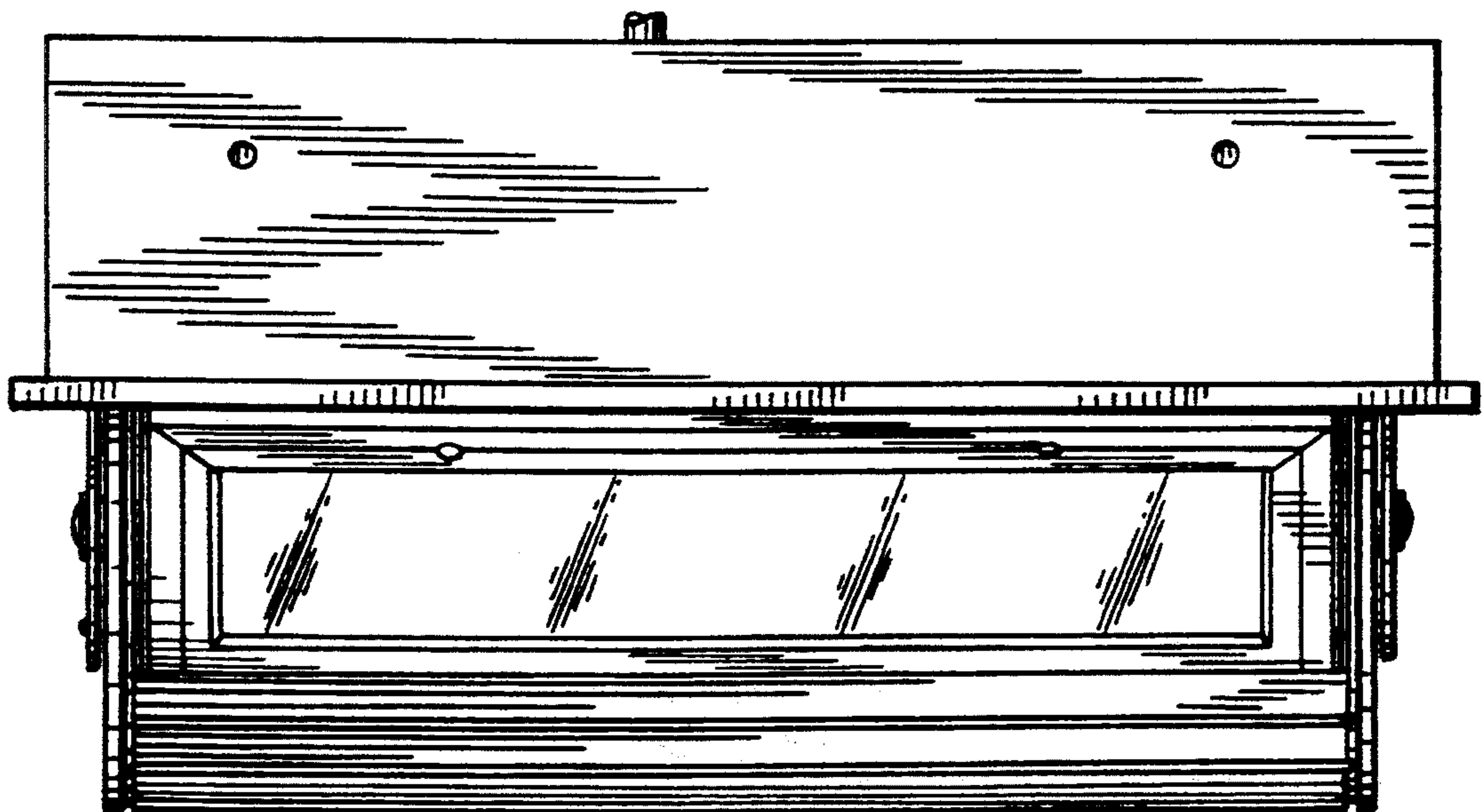


FIG. 5

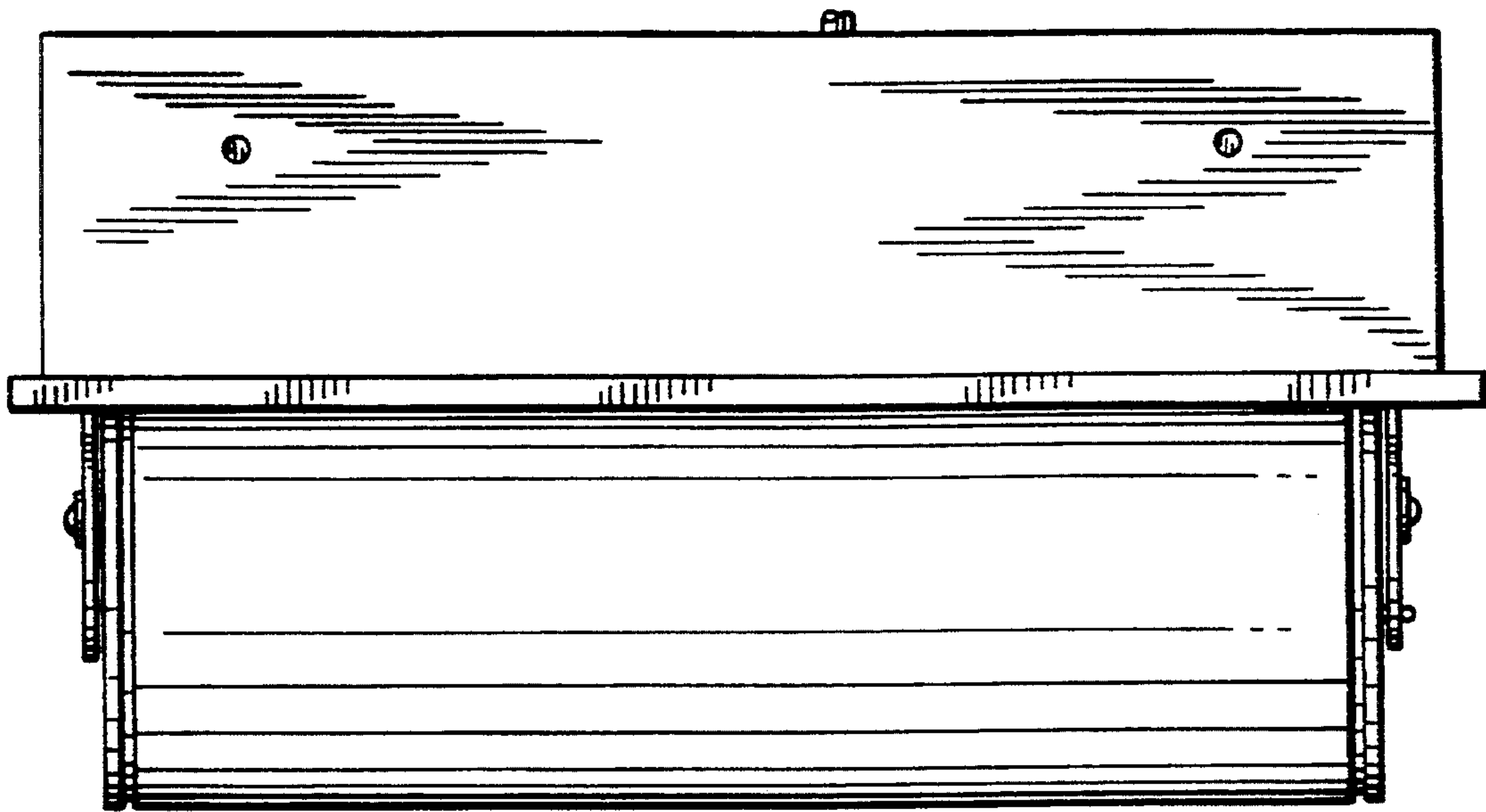


FIG. 6

