



US00D360046S

United States Patent [19]

[11] Patent Number: **Des. 360,046**

Sugiura

[45] Date of Patent: **** Jul. 4, 1995**

[54] **CLAMP-ON HOLDER FOR LED LAMP**

Attorney, Agent, or Firm—Smith-Hill and Bedell

[75] Inventor: **Noriyasu Sugiura, Shizuoka, Japan**

[57] **CLAIM**

[73] Assignee: **Yazaki Industrial Chemical Co., Ltd., Shizuoka, Japan**

The ornamental design for a clamp-on holder for LED lamp, as shown and described.

[**] Term: **14 Years**

DESCRIPTION

[21] Appl. No.: **25,422**

FIG. 1 is a perspective view of a clamp-on holder for LED lamp showing my new design;
FIG. 2 is a front elevational view thereof;
FIG. 3 is a top plan view thereof;
FIG. 4 is a rear elevational view thereof;
FIG. 5 is a bottom end view thereof;
FIG. 6 is a left side elevational view thereof;
FIG. 7 is a right side elevational view thereof;
FIG. 8 is a sectional view along line 8—8 of FIG. 2;
FIG. 9 is a sectional view along line 9—9 of FIG. 2;
FIG. 10 is a sectional view along line 10—10 of FIG. 2;
and,
FIG. 11 is a perspective view showing the use as a clamp-on holder for LED lamp fitting to the frame member. The broken lines are for illustrative purpose only and form no part of the claimed design.

[22] Filed: **Jul. 1, 1994**

[52] U.S. Cl. **D26/60; D26/138**

[58] Field of Search **D26/138, 140, 60, 61; 248/225.31, 229, 230, 231, 231.6, 231.8, 309.1, 313, 316.1, 316.7; 362/190, 191, 396; 24/455, 563, 543, 343**

[56] **References Cited**

U.S. PATENT DOCUMENTS

2,369,364 2/1945 Mayer 248/225.31 X
5,005,111 4/1991 Teal 362/190 X

Primary Examiner—Susan J. Lucas
Assistant Examiner—Cynthia Ramirez

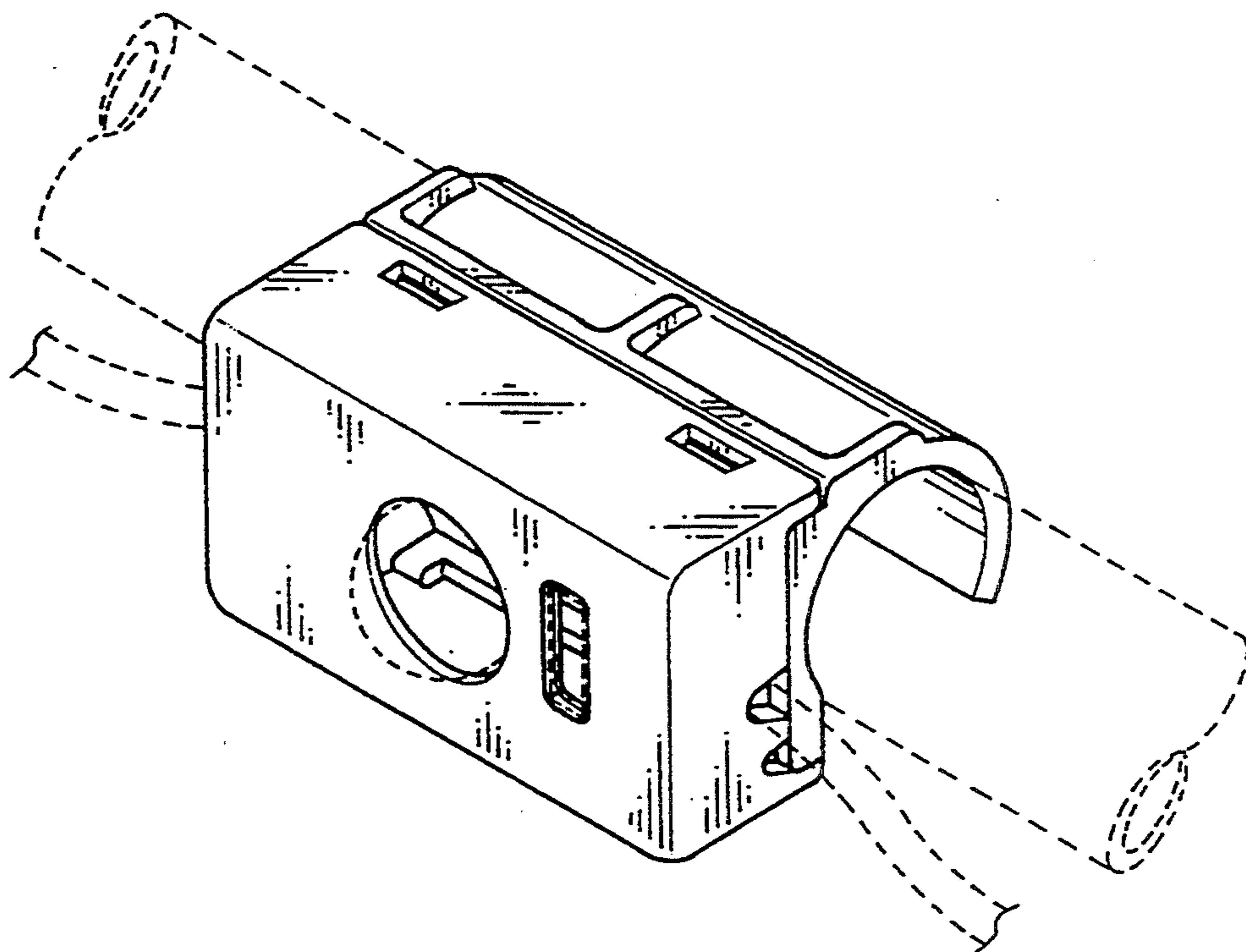


FIG. 1

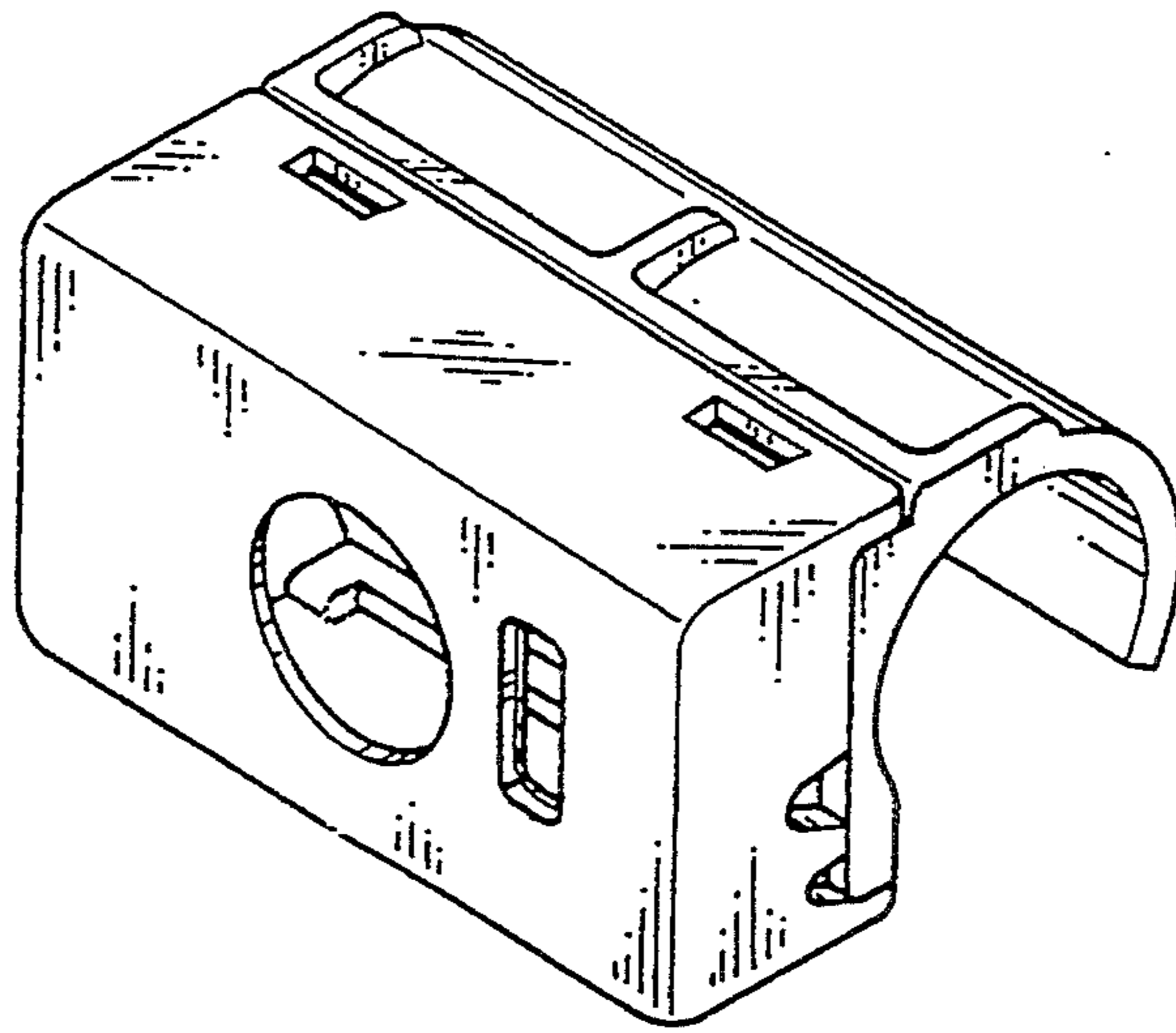


FIG. 2

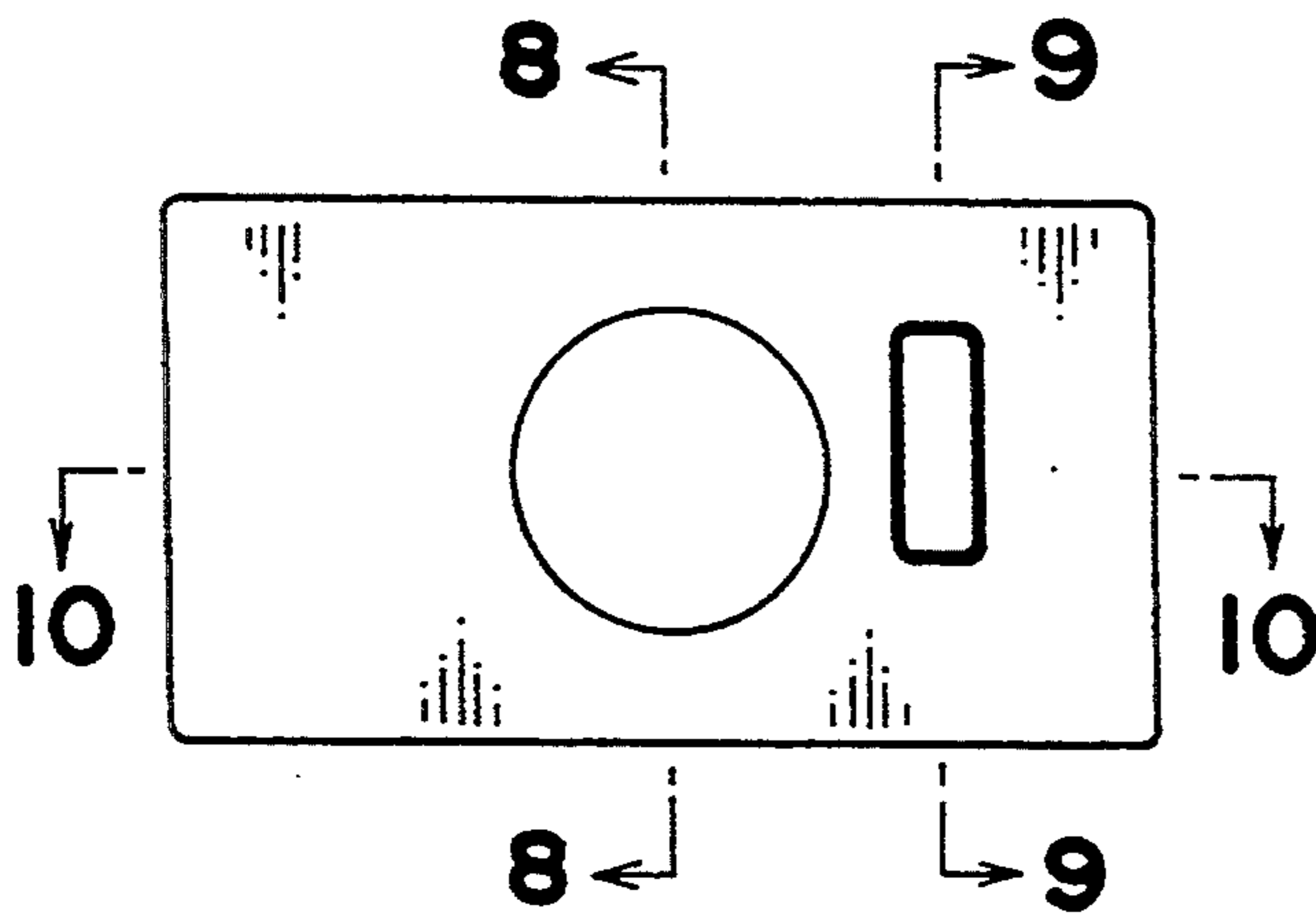


FIG. 4

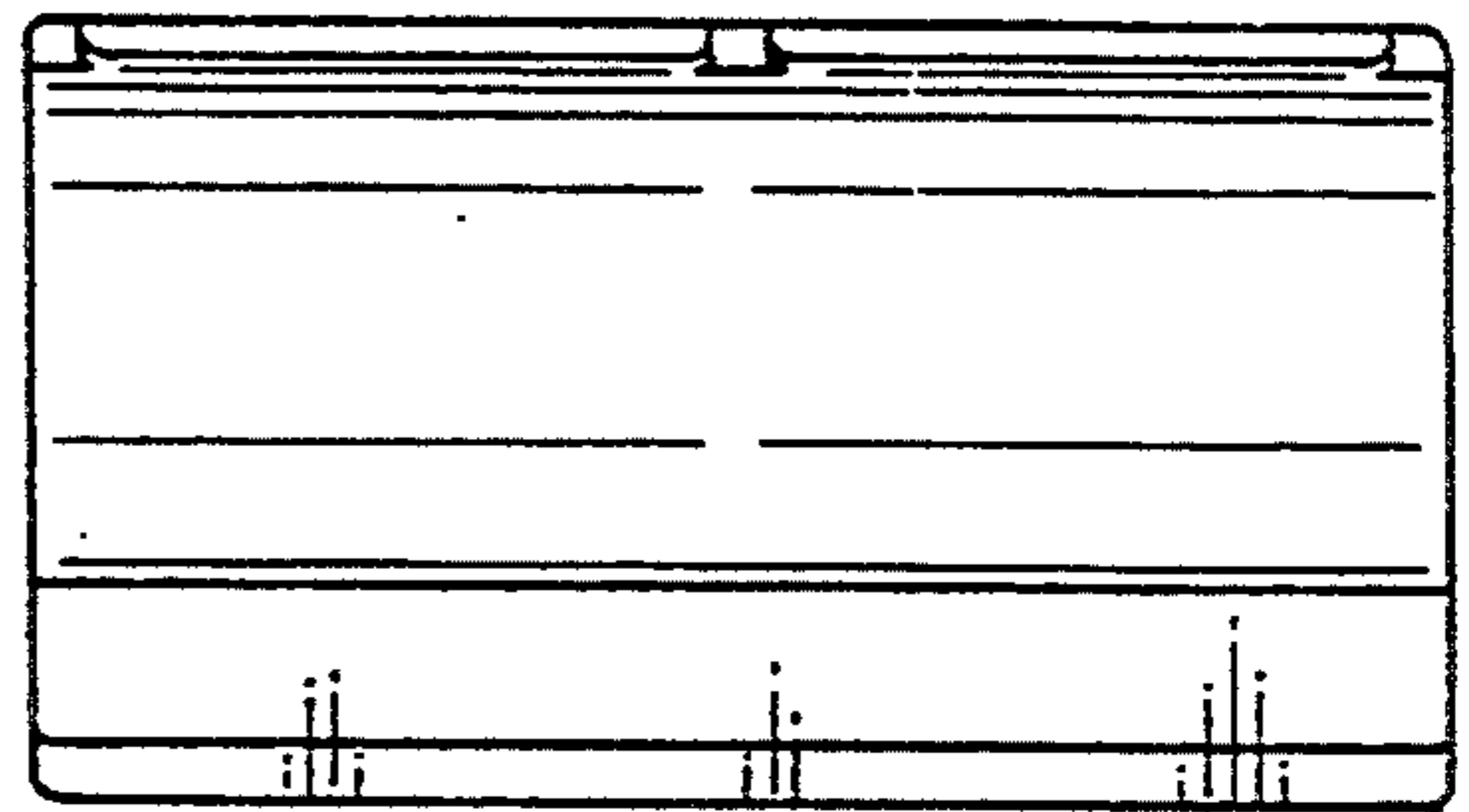


FIG. 3

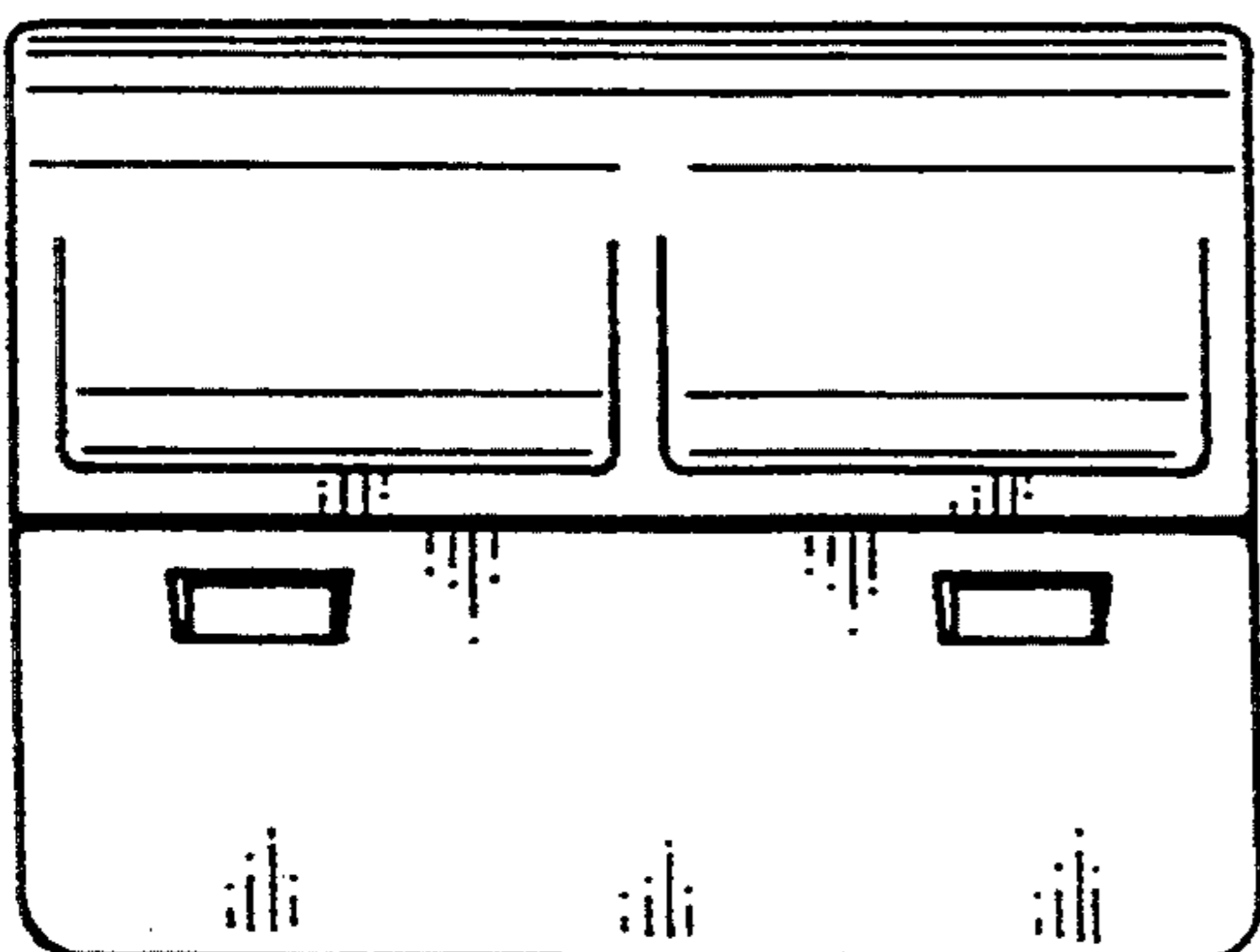


FIG. 5

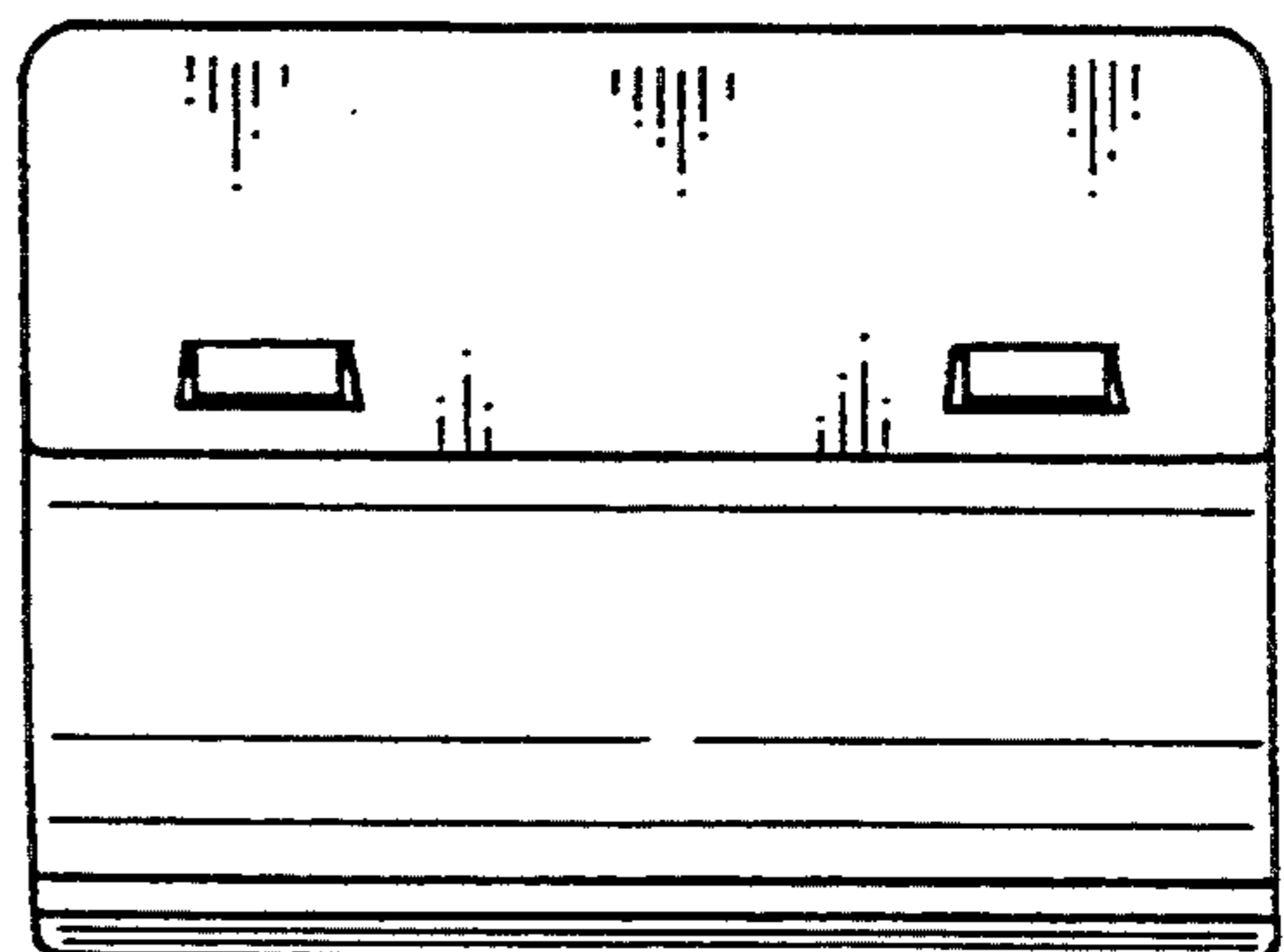


FIG. 6

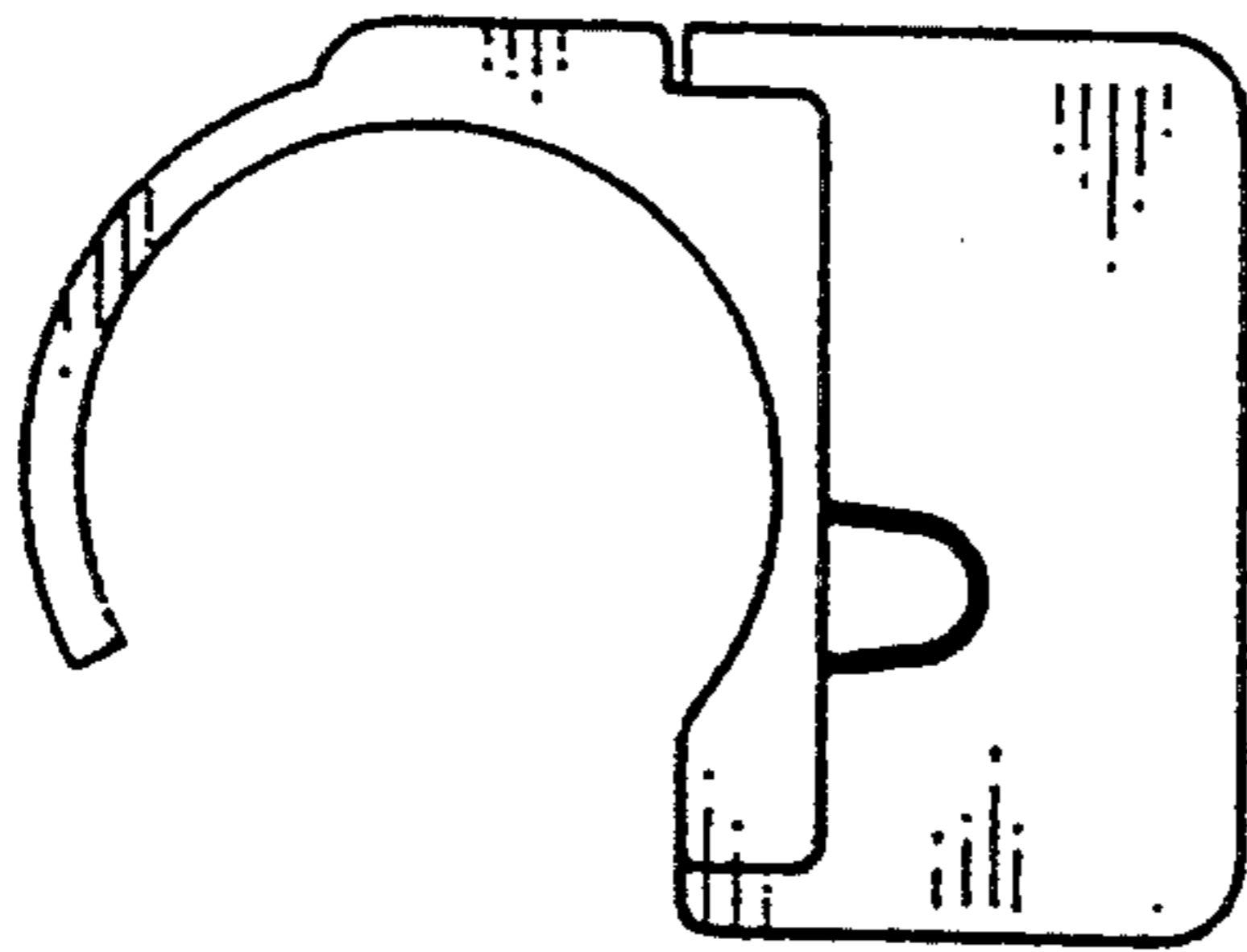


FIG. 7

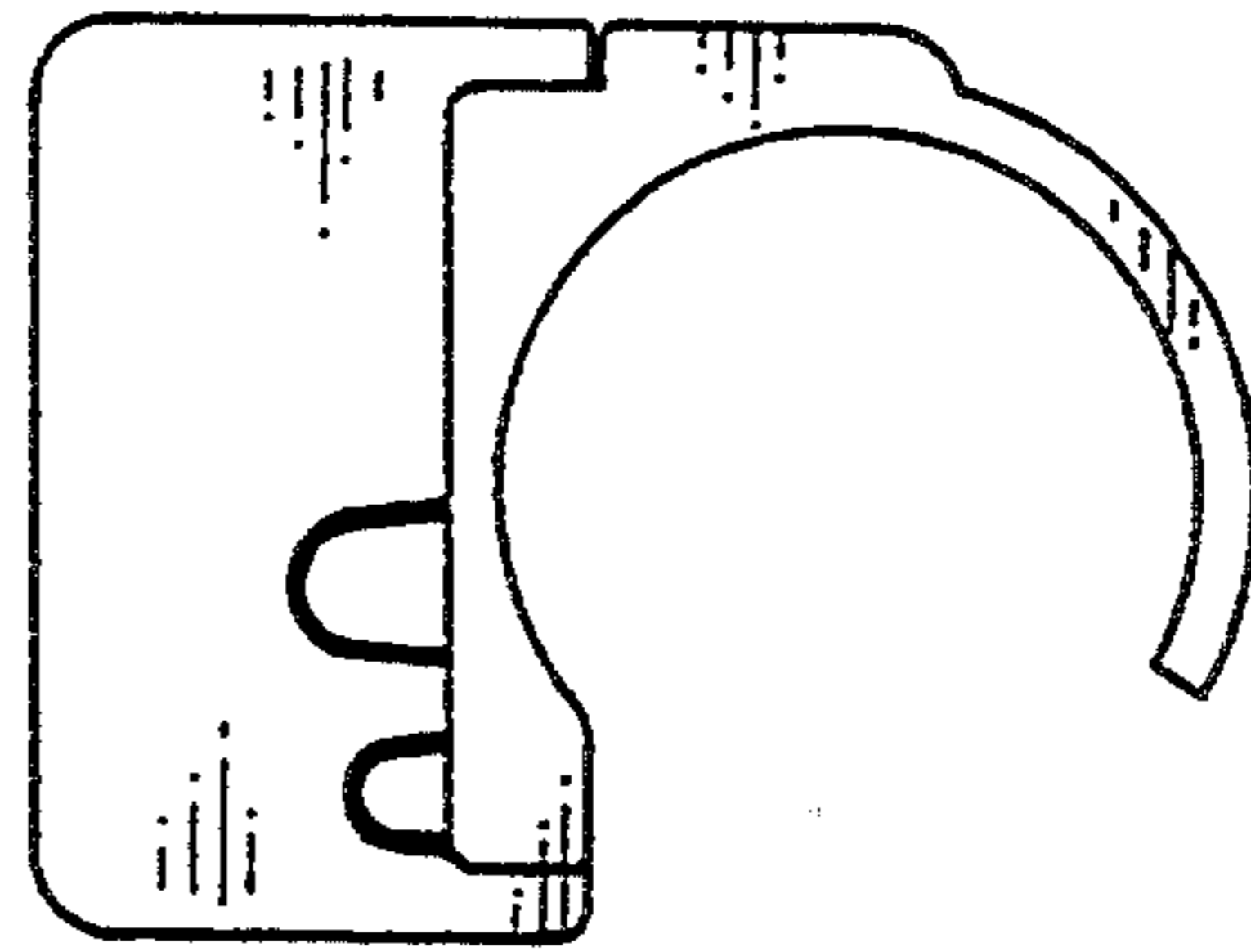


FIG. 8

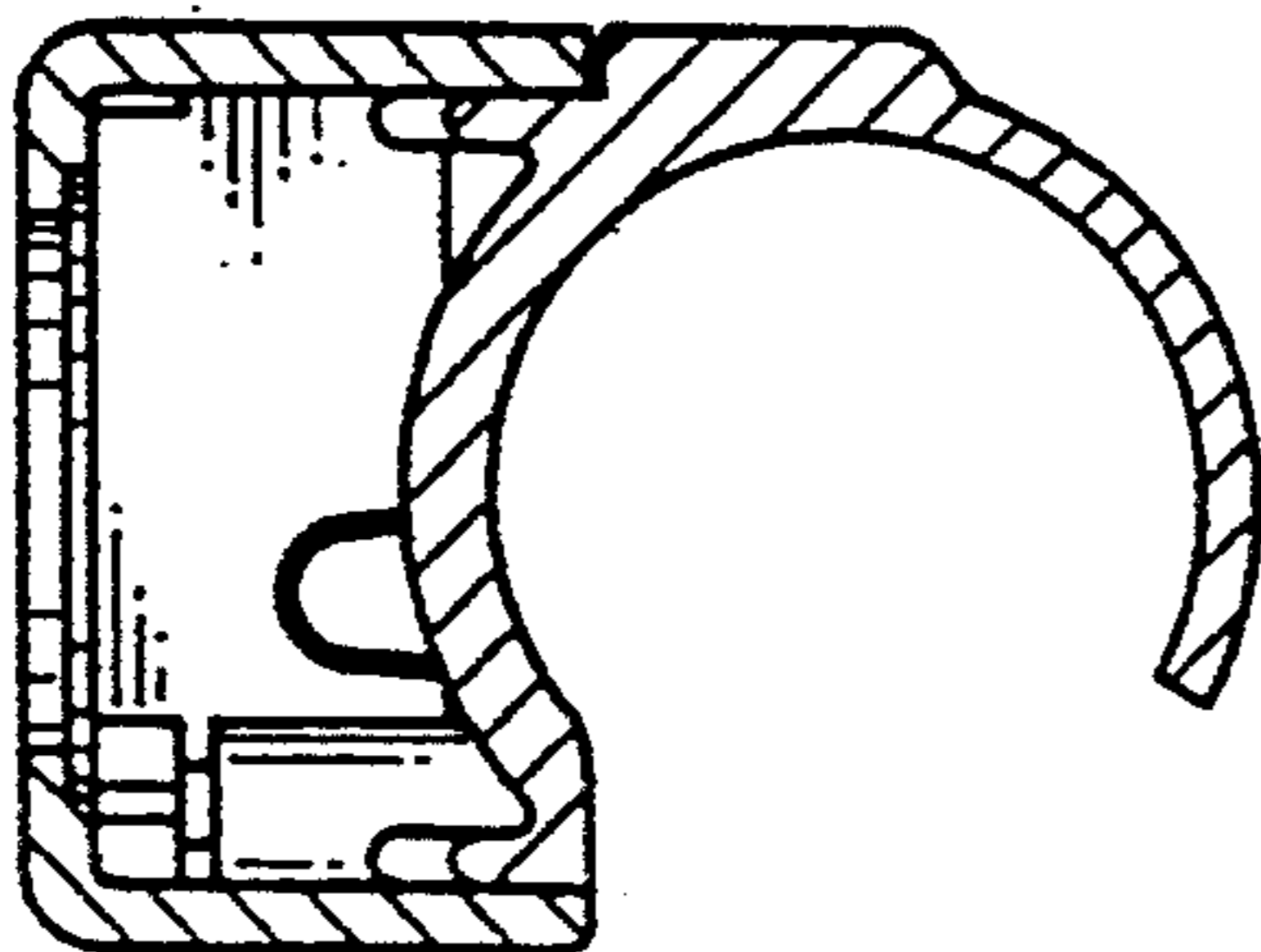


FIG. 9

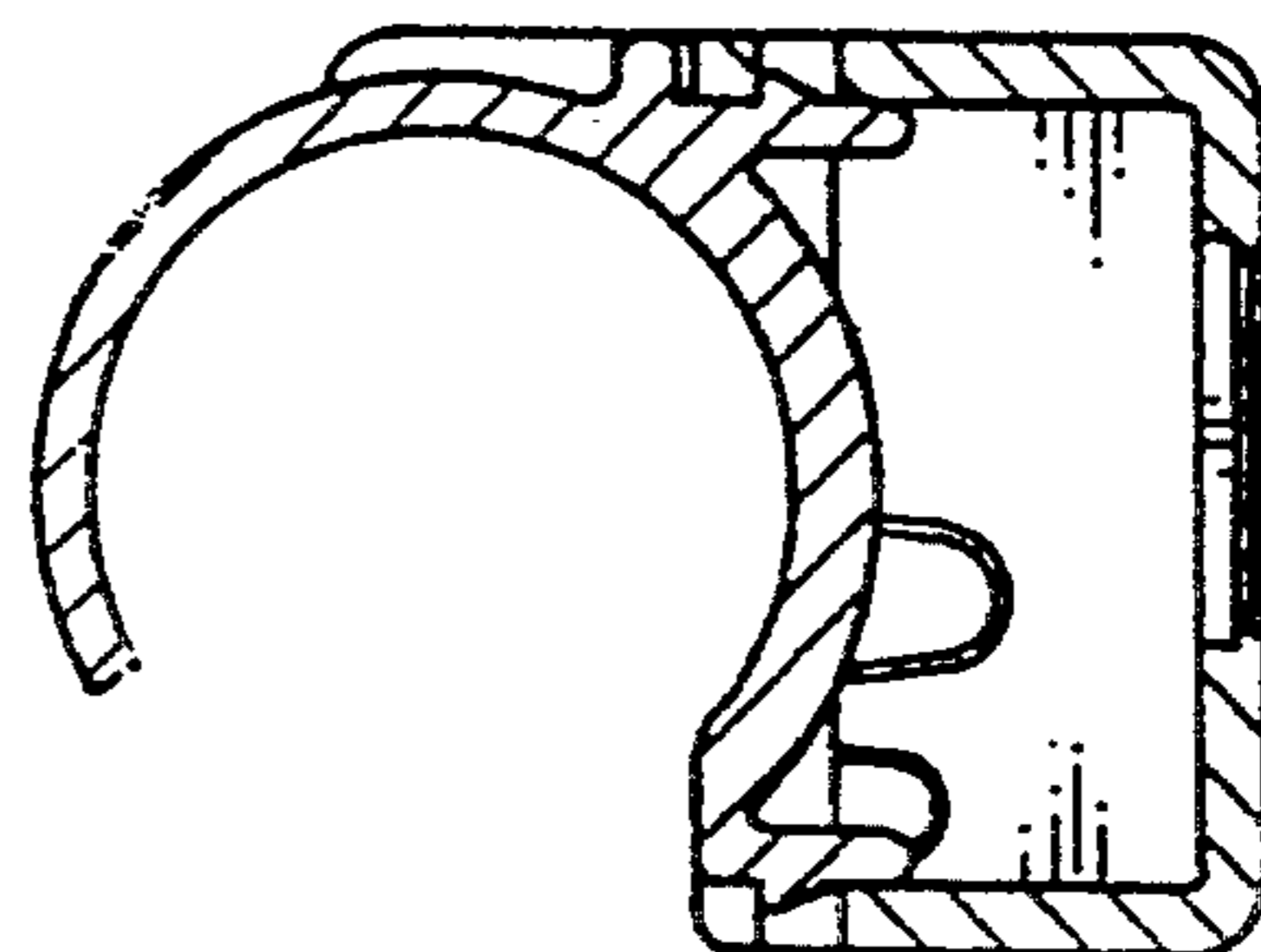


FIG. 10

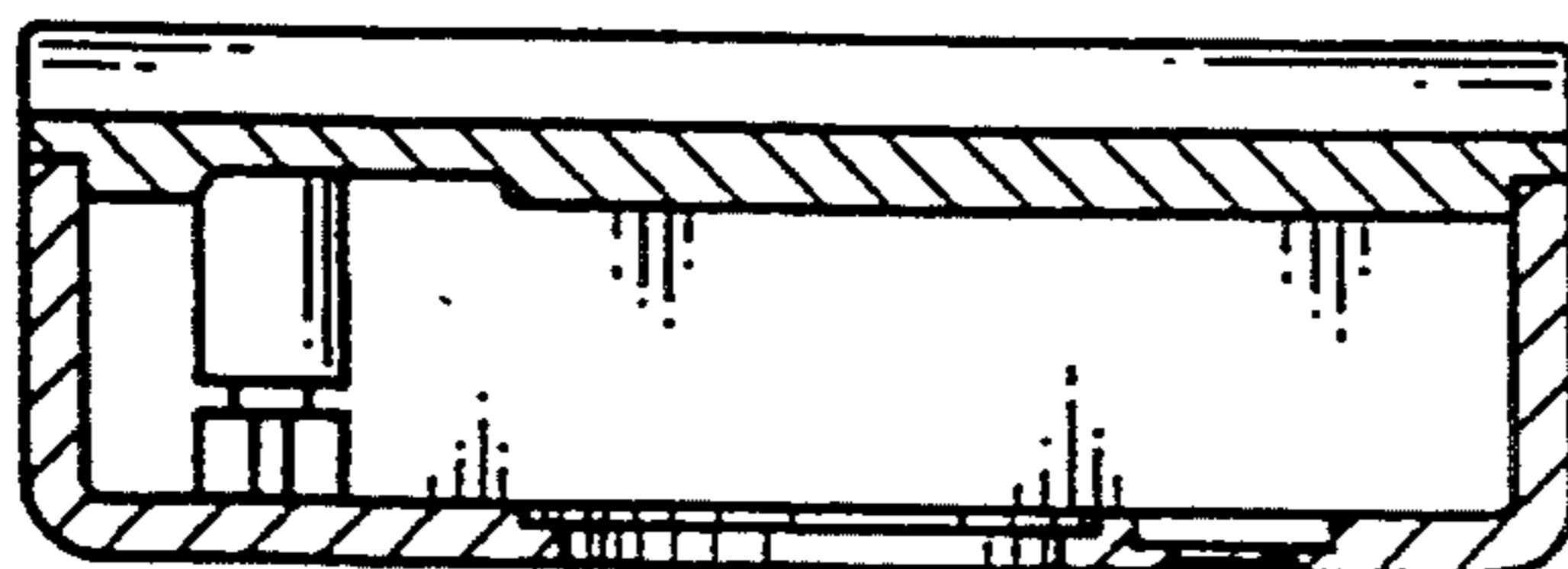


FIG. 11

