



US00D360045S

# United States Patent [19]

[11] Patent Number: **Des. 360,045**

**Inukai**

[45] Date of Patent: **\*\* Jul. 4, 1995**

[54] **FLASH LIGHT**

[75] Inventor: **Hiroharu Inukai, Osaka, Japan**

[73] Assignee: **Matsushita Electric Industrial Co., Ltd., Osaka, Japan**

[\*\*] Term: **14 Years**

[21] Appl. No.: **19,829**

[22] Filed: **Mar. 14, 1994**

[30] **Foreign Application Priority Data**

Sep. 13, 1993 [JP] Japan ..... 5-27832

Sep. 13, 1993 [JP] Japan ..... 5-27833

[52] U.S. Cl. .... **D26/49**

[58] Field of Search ..... D26/37-50;  
362/157-158, 171-172, 178, 181, 183, 192, 194,  
196-197, 200-206

[56] **References Cited**

**U.S. PATENT DOCUMENTS**

D. 286,681 11/1986 Hung ..... D26/49

D. 308,253 5/1990 Battles et al. .... D26/38

D. 331,118 11/1992 Yeung ..... D26/49

2,818,498 12/1957 Foch ..... 362/183

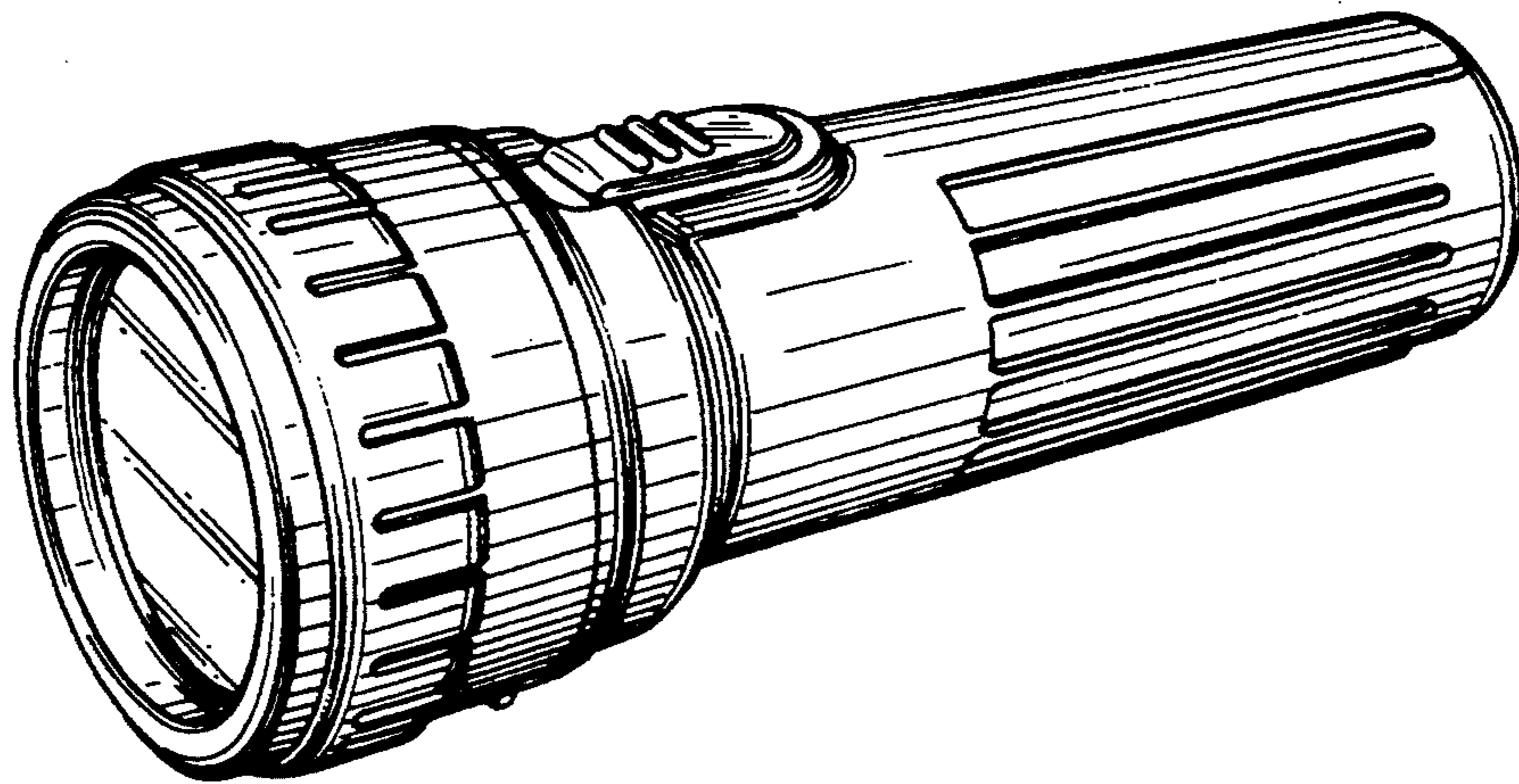
*Primary Examiner*—Susan J. Lucas  
*Assistant Examiner*—Robin V. Taylor  
*Attorney, Agent, or Firm*—Sughrue, Mion, Zinn,  
Macpeak & Seas

[57] **CLAIM**

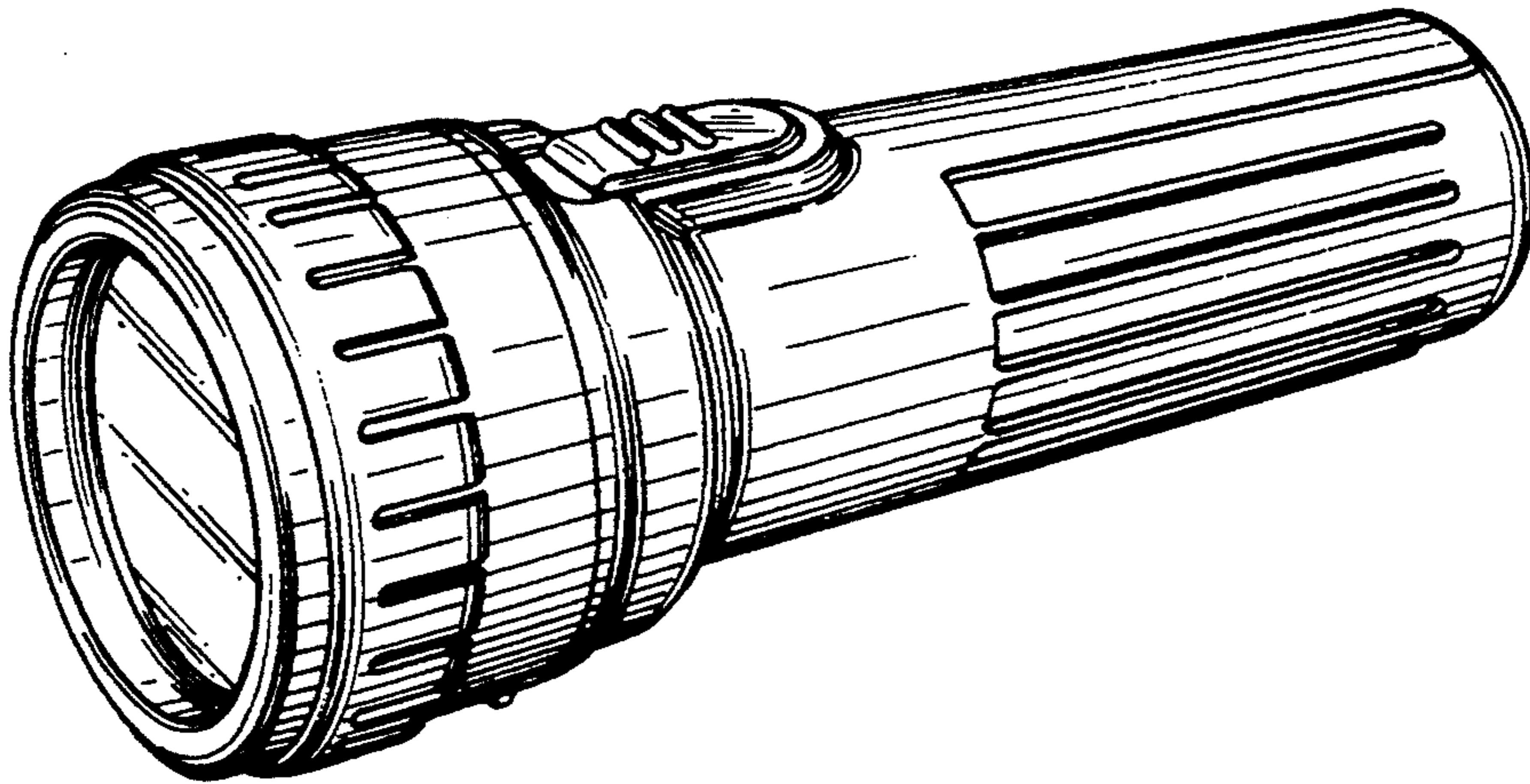
The ornamental design for a flash light, as shown and described.

**DESCRIPTION**

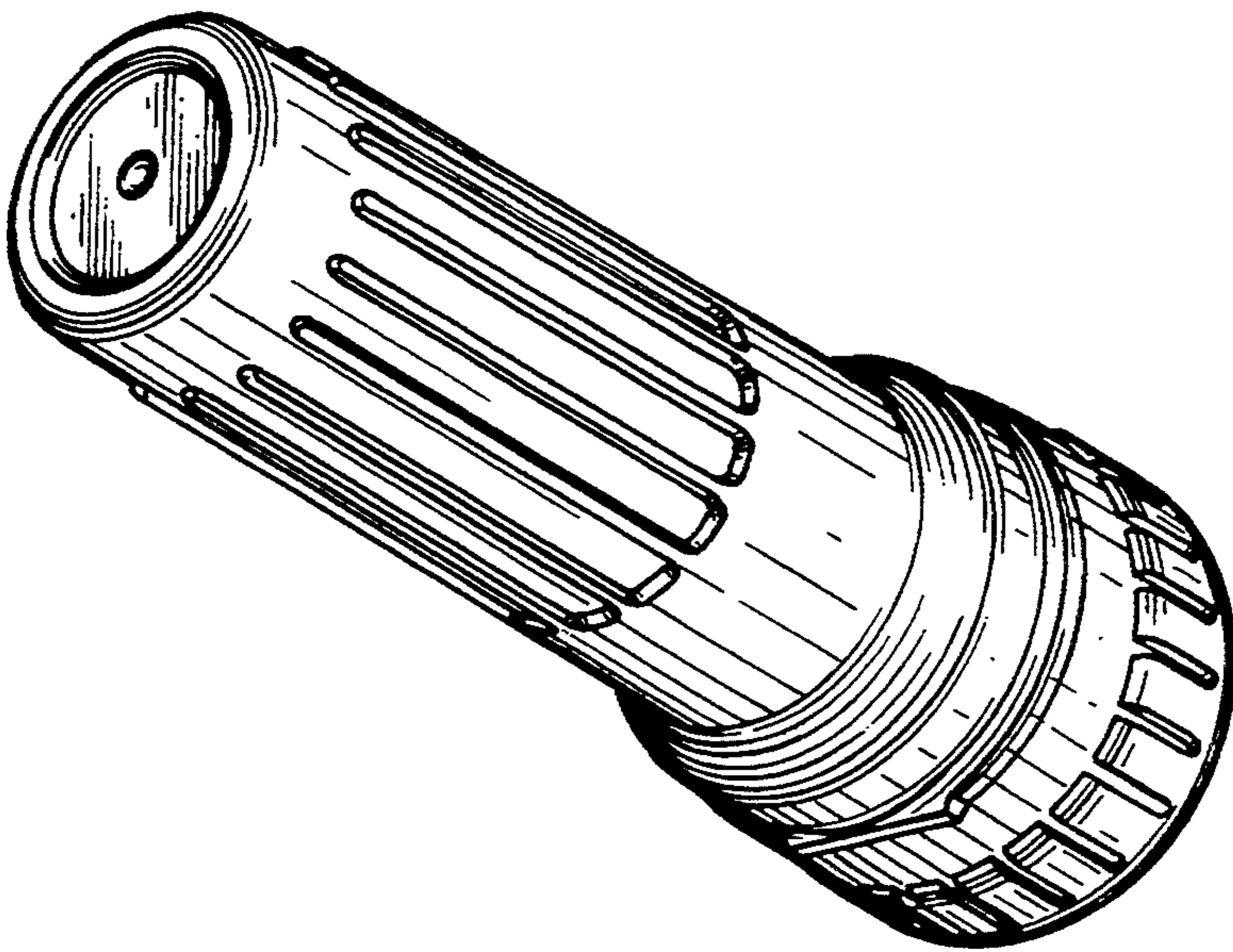
FIG. 1 is a perspective view showing the top, front and one side of a flash light showing my new design; FIG. 2 is a perspective view of the bottom, rear end and opposite side thereof; FIG. 3 is a top plan view thereof; FIG. 4 is a front end elevational view thereof; and, FIG. 5 is a top, front and one side perspective view of another embodiment thereof, the only difference being in proportion.



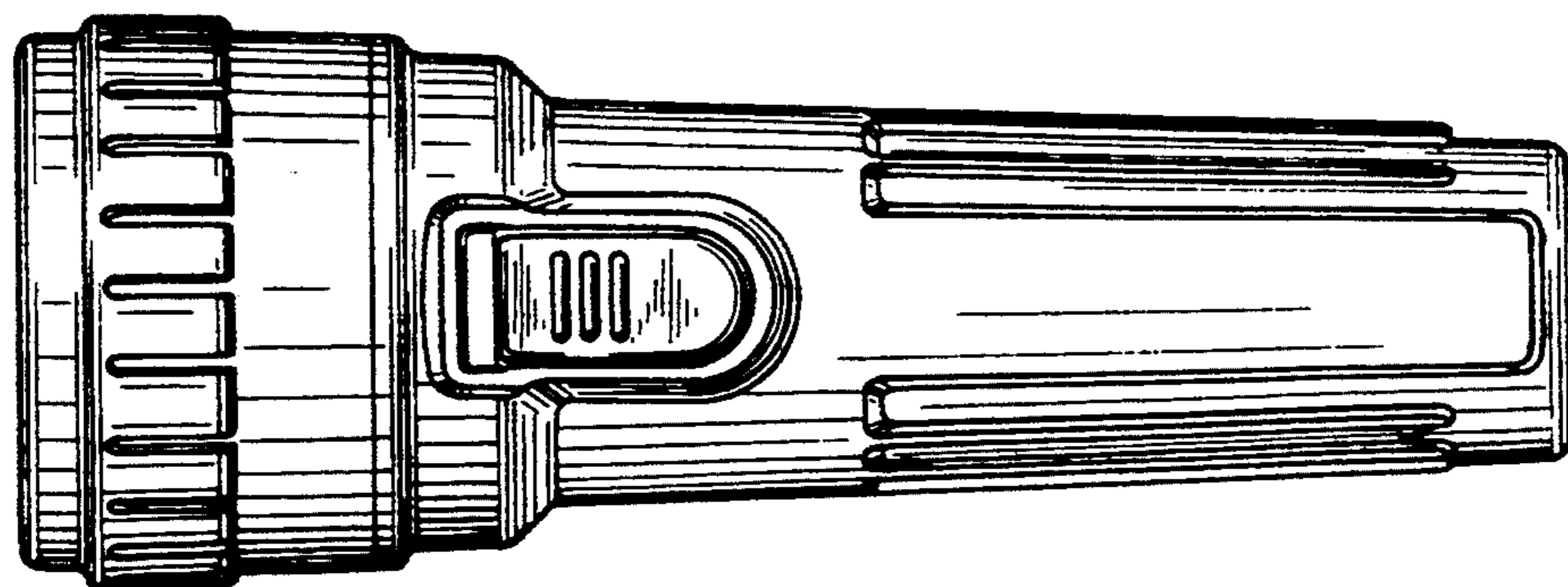
*FIG. 1*



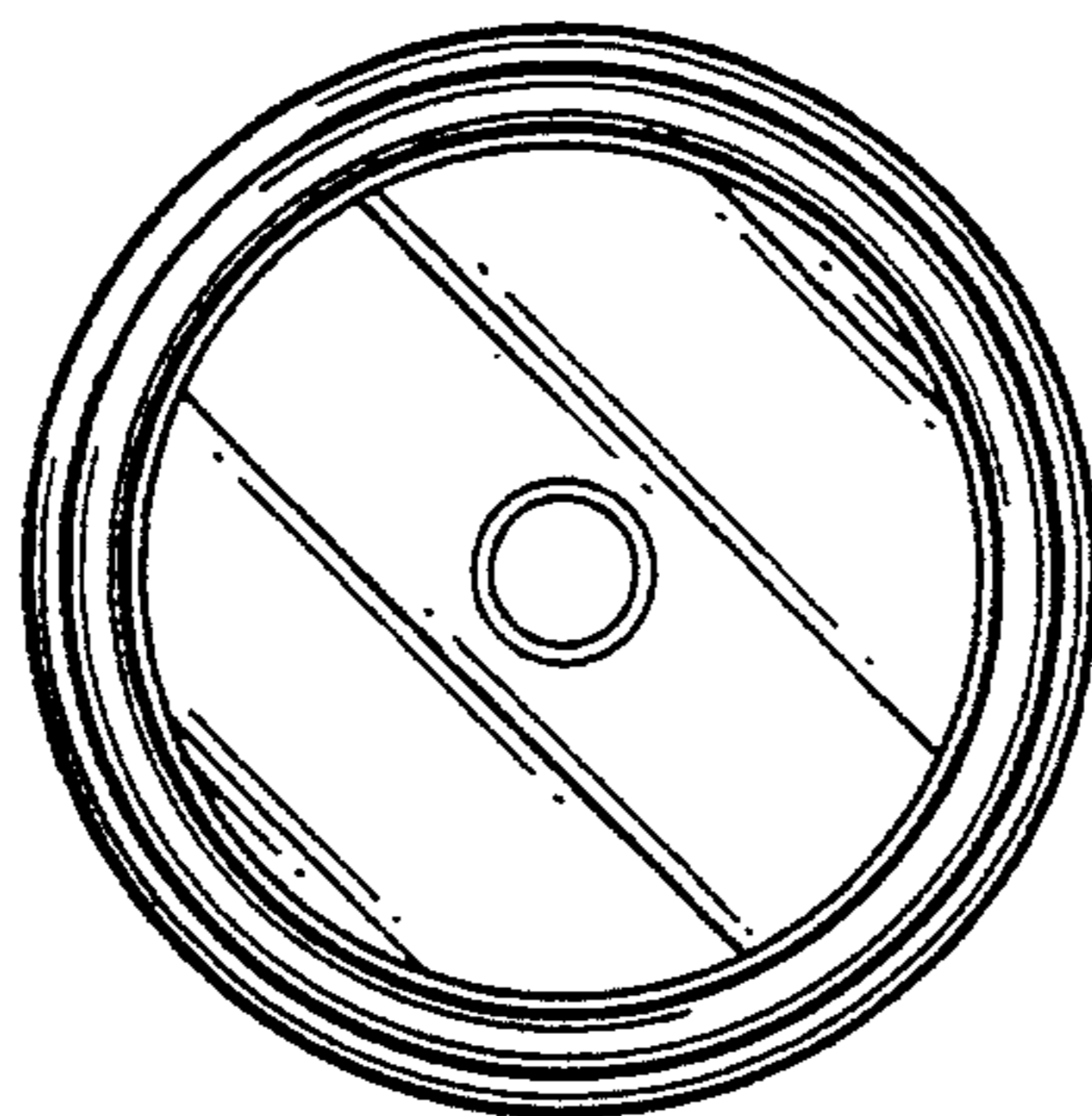
*FIG. 2*



*FIG. 3*



*FIG. 4*



*FIG. 5*

