



US00D360044S

# United States Patent [19]

[11] Patent Number: **Des. 360,044**

**Tillery**

[45] Date of Patent: **\*\* Jul. 4, 1995**

[54] FLASHLIGHT

4,843,526 6/1989 Price ..... 369/205  
5,008,785 4/1991 Maglica et al. .... 362/204

[76] Inventor: **Ricky W. Tillery, 6438 Beryl St., Alta Loma, Calif. 91701**

*Primary Examiner*—Susan J. Lucas  
*Assistant Examiner*—Robin V. Taylor  
*Attorney, Agent, or Firm*—Hawes & Fischer

[\*\*] Term: **14 Years**

[21] Appl. No.: **19,527**

[57] **CLAIM**

The ornamental design for a flashlight, as shown and described.

[22] Filed: **Mar. 4, 1994**

[52] U.S. Cl. .... **D26/49**

[58] Field of Search ..... **D26/37-50;**  
362/157-158, 171-172, 178, 181, 183, 192, 194,  
196-197, 200-206

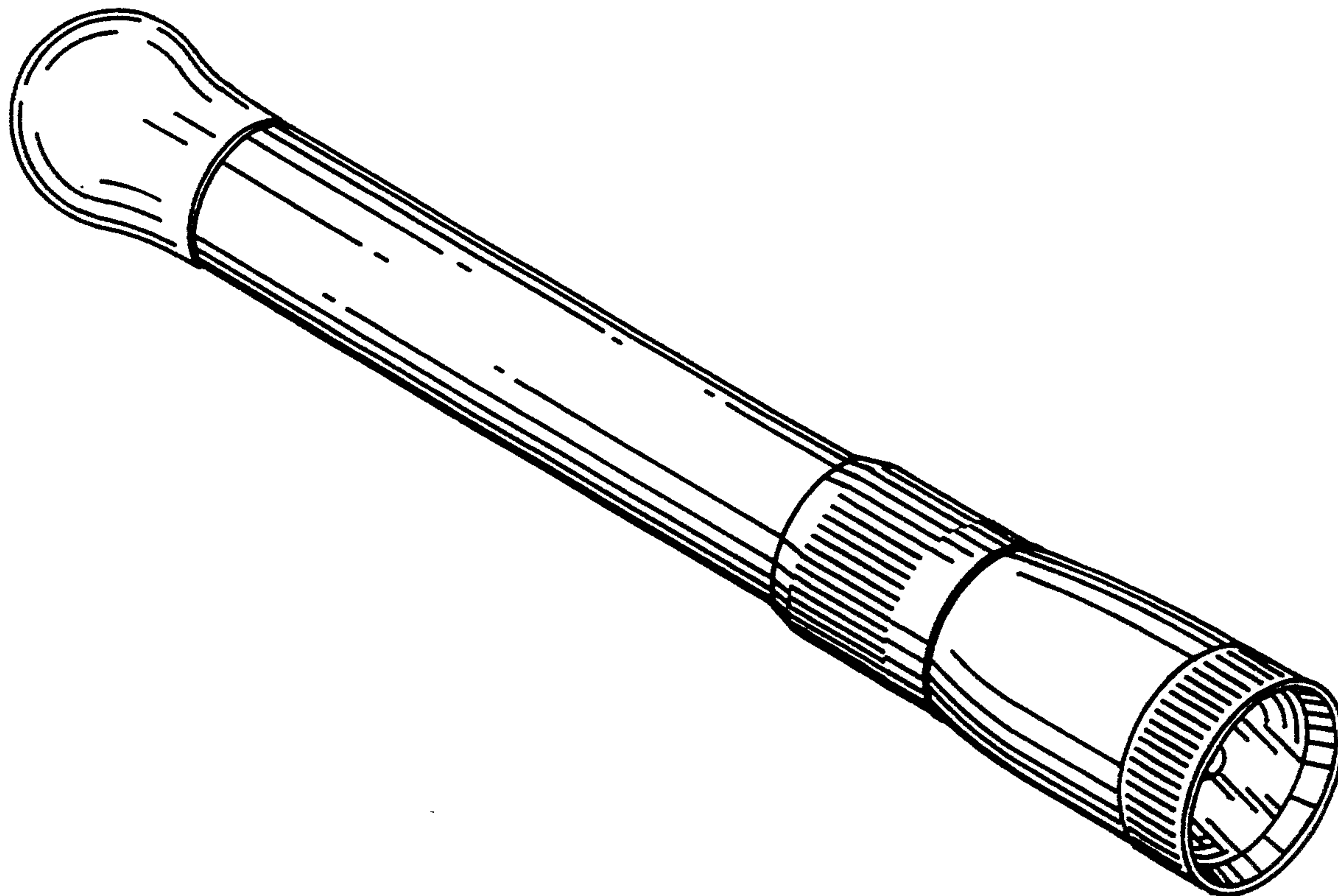
**DESCRIPTION**

FIG. 1 is a perspective view illustrating the front and a side of a flashlight showing my new design;  
FIG. 2 is a side elevational view thereof, this side and the opposite side elevational view being of identical design;  
FIG. 3 is a top plan view thereof, this and the bottom plan view being of identical design;  
FIG. 4 is a front elevational view thereof; and,  
FIG. 5 is a rear elevational view thereof.

[56] **References Cited**

**U.S. PATENT DOCUMENTS**

D. 242,277	11/1976	Waldorf	.....	D26/38
D. 315,219	3/1991	Brinkmann	.....	D26/49
D. 348,112	6/1994	Maglica	.....	D26/49
3,737,649	6/1973	Nelson et al.	.....	D26/48



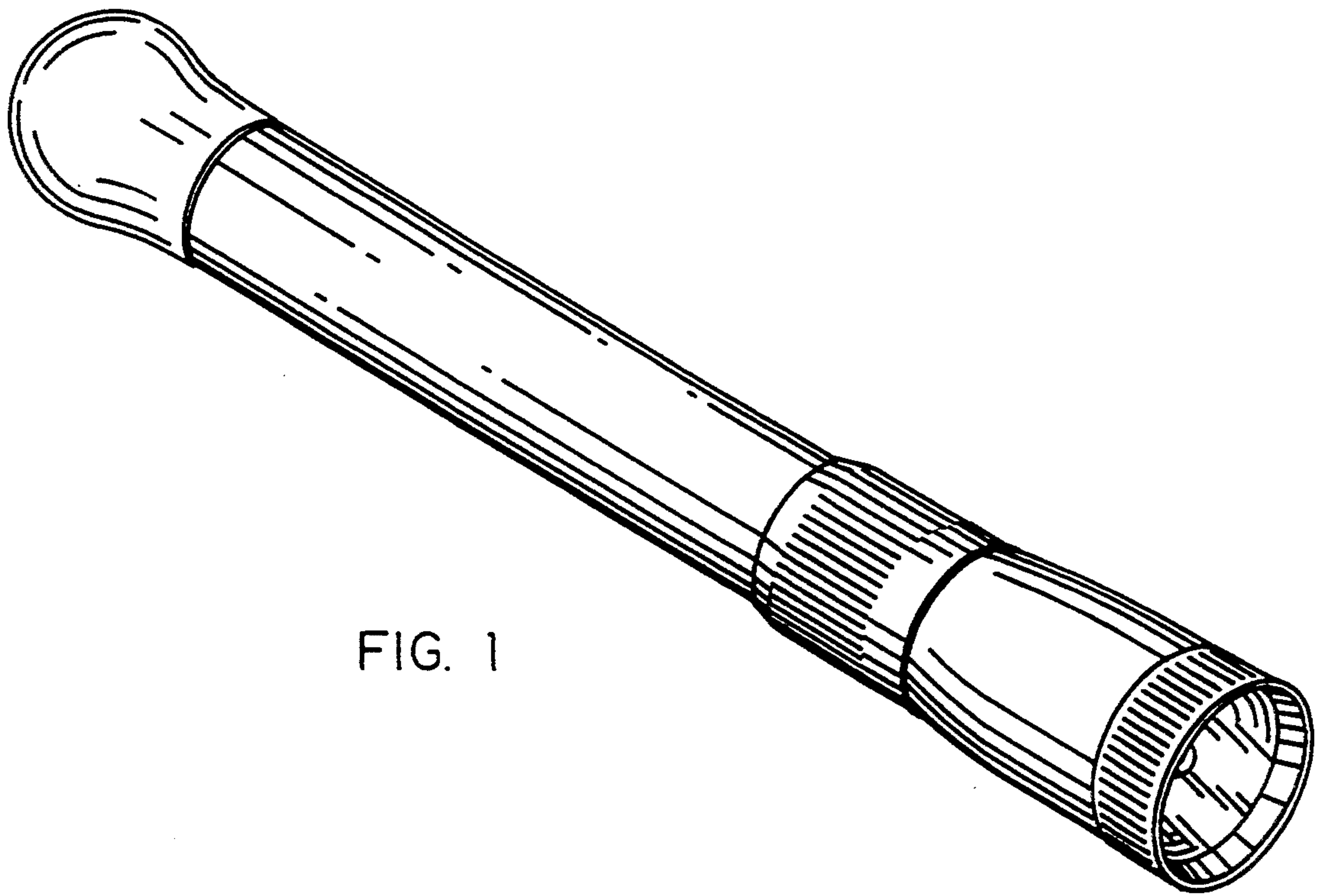


FIG. 1

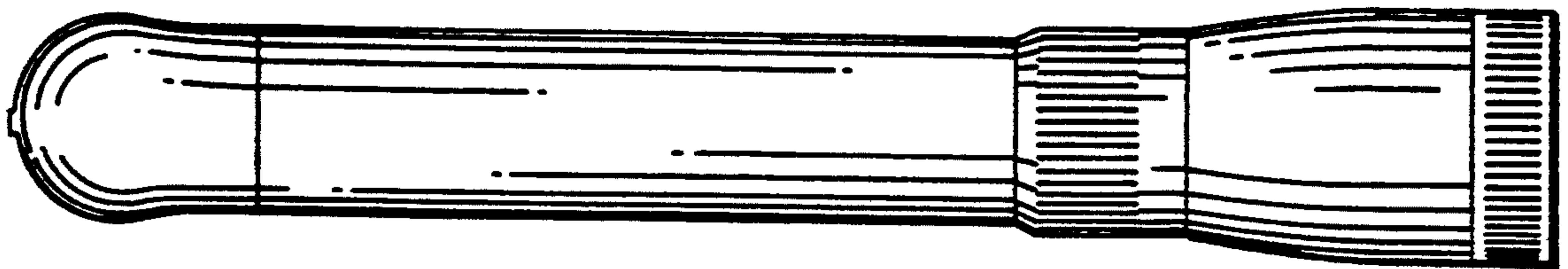


FIG. 2

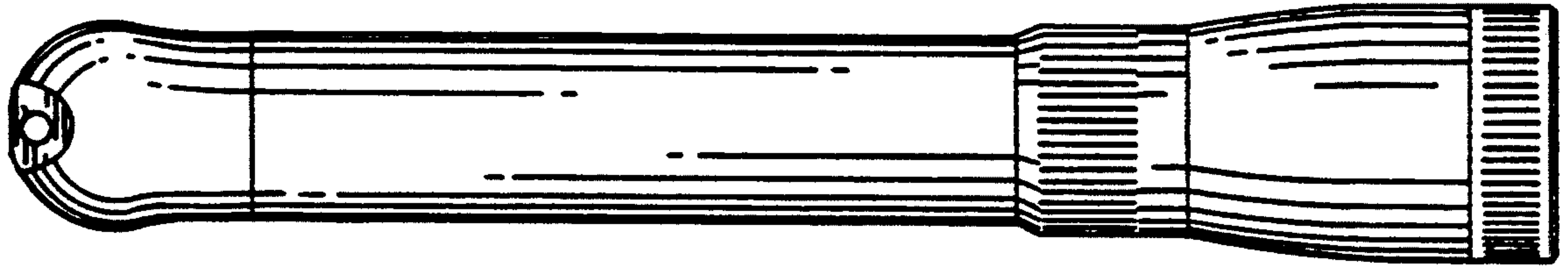


FIG. 3

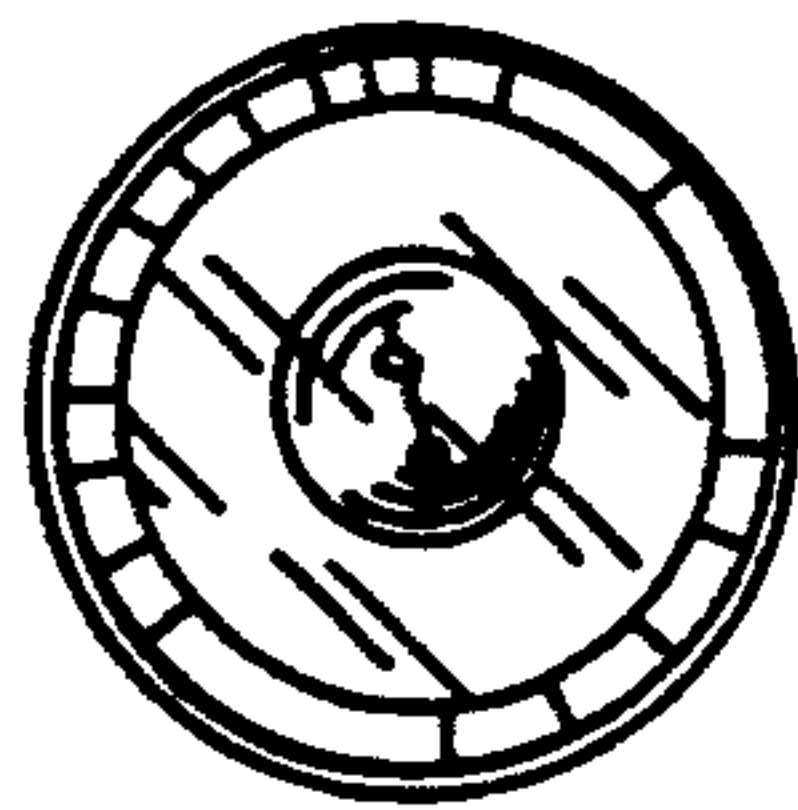


FIG. 4

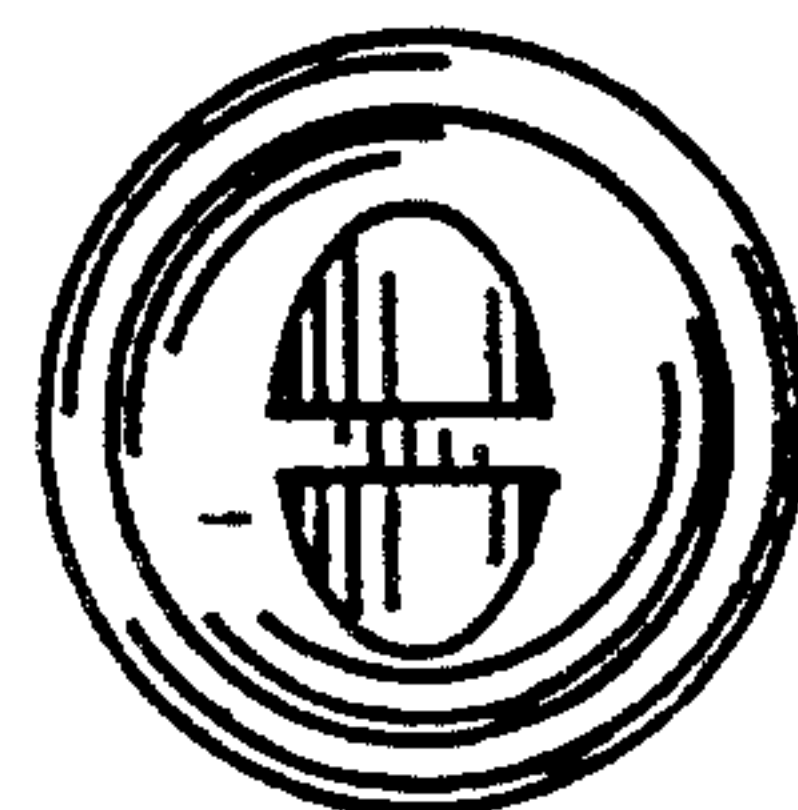


FIG. 5