



US00D360043S

United States Patent [19]

[11] Patent Number: **Des. 360,043**

Inukai

[45] Date of Patent: **** Jul. 4, 1995**

[54] **FLASH LIGHT**

[75] Inventor: **Hiroharu Inukai, Osaka, Japan**

[73] Assignee: **Matsushita Electric Industrial Co., Ltd., Osaka, Japan**

[**] Term: **14 Years**

[21] Appl. No.: **28,485**

[22] Filed: **Sep. 16, 1994**

[30] **Foreign Application Priority Data**

Mar. 16, 1994 [JP] Japan 6-6972

[52] U.S. Cl. **D26/48**

[58] Field of Search **D26/37-50;**
362/157-158, 171-172, 178, 181, 183, 192, 194,
196-197, 200-206

[56] **References Cited**

U.S. PATENT DOCUMENTS

D. 197,131 3/1964 Ashe D26/48

D. 338,975 8/1993 Yuen .

D. 349,355 8/1994 Yau D26/37

D. 351,478 10/1994 Welton D26/37

3,252,733 5/1966 Moore et al. 362/157

FOREIGN PATENT DOCUMENTS

797491 10/1990 Japan .
822476 11/1991 Japan .

OTHER PUBLICATIONS

Search Lantern #H6010 p. 269 Hong Kong Ent. Jun. 1991.

Primary Examiner—Susan J. Lucas
Assistant Examiner—Robin V. Taylor
Attorney, Agent, or Firm—Sughrue, Mion, Zinn, Macpeak & Seas

[57] **CLAIM**

The ornamental design for a flash light, as shown.

DESCRIPTION

FIG. 1 is a perspective view of the front, top and right side of a flash light showing my new design; FIG. 2 is a front elevational view thereof; FIG. 3 is a rear elevational view thereof; FIG. 4 is a left side elevational view thereof; FIG. 5 is a right side elevational view thereof; FIG. 6 is a top plan view thereof; and, FIG. 7 is a bottom plan view thereof.

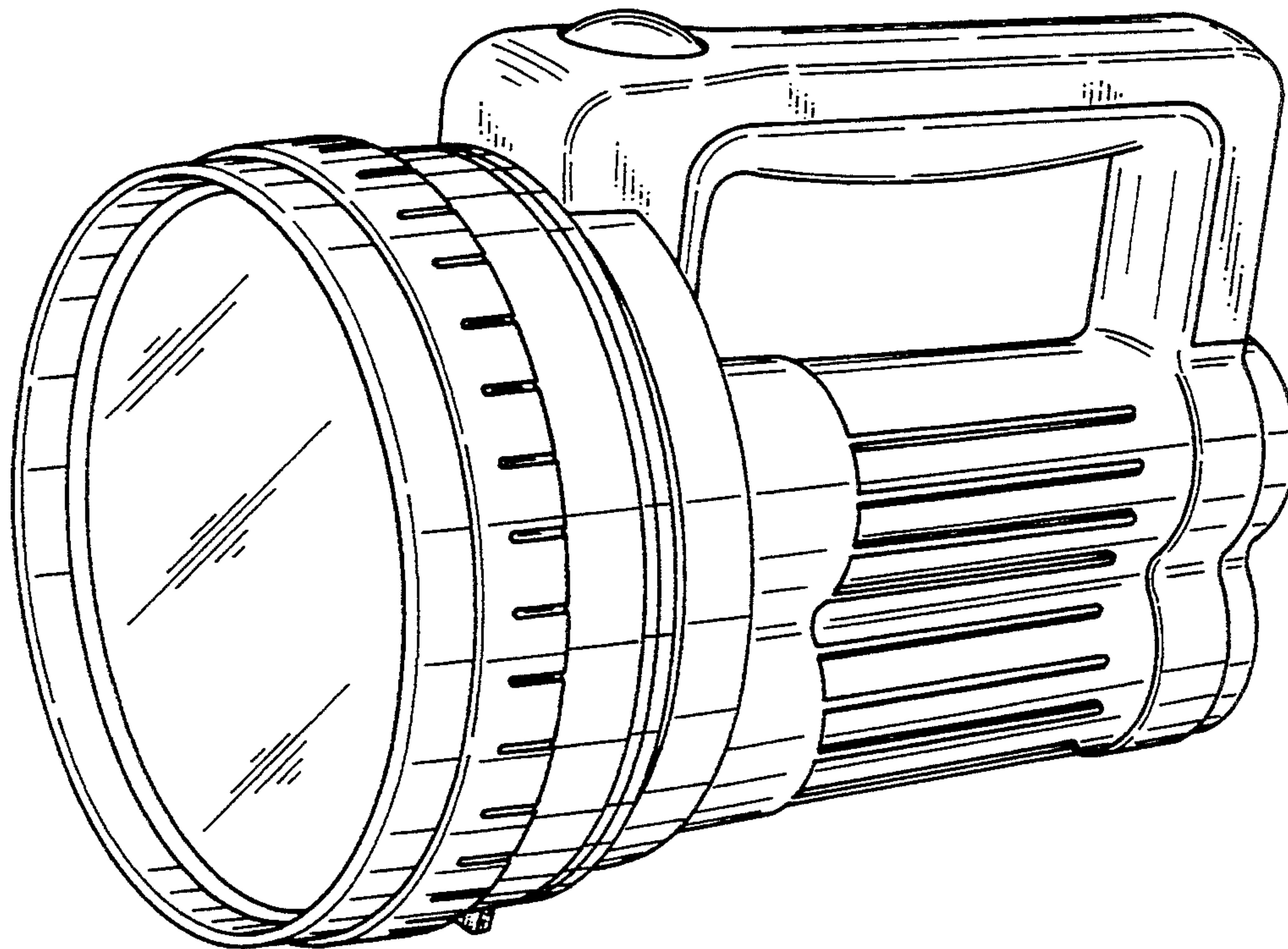


Fig. 1

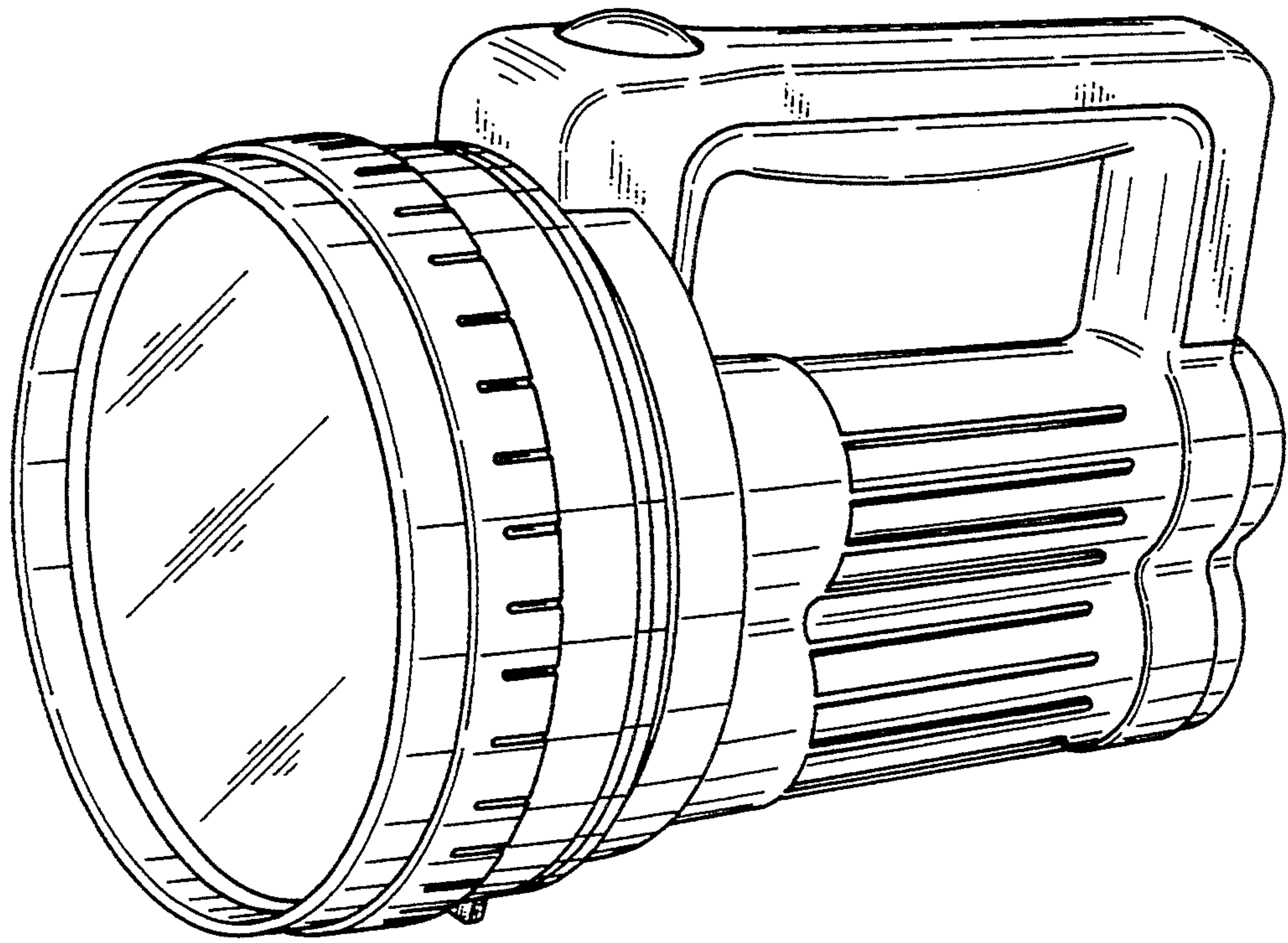


Fig. 2

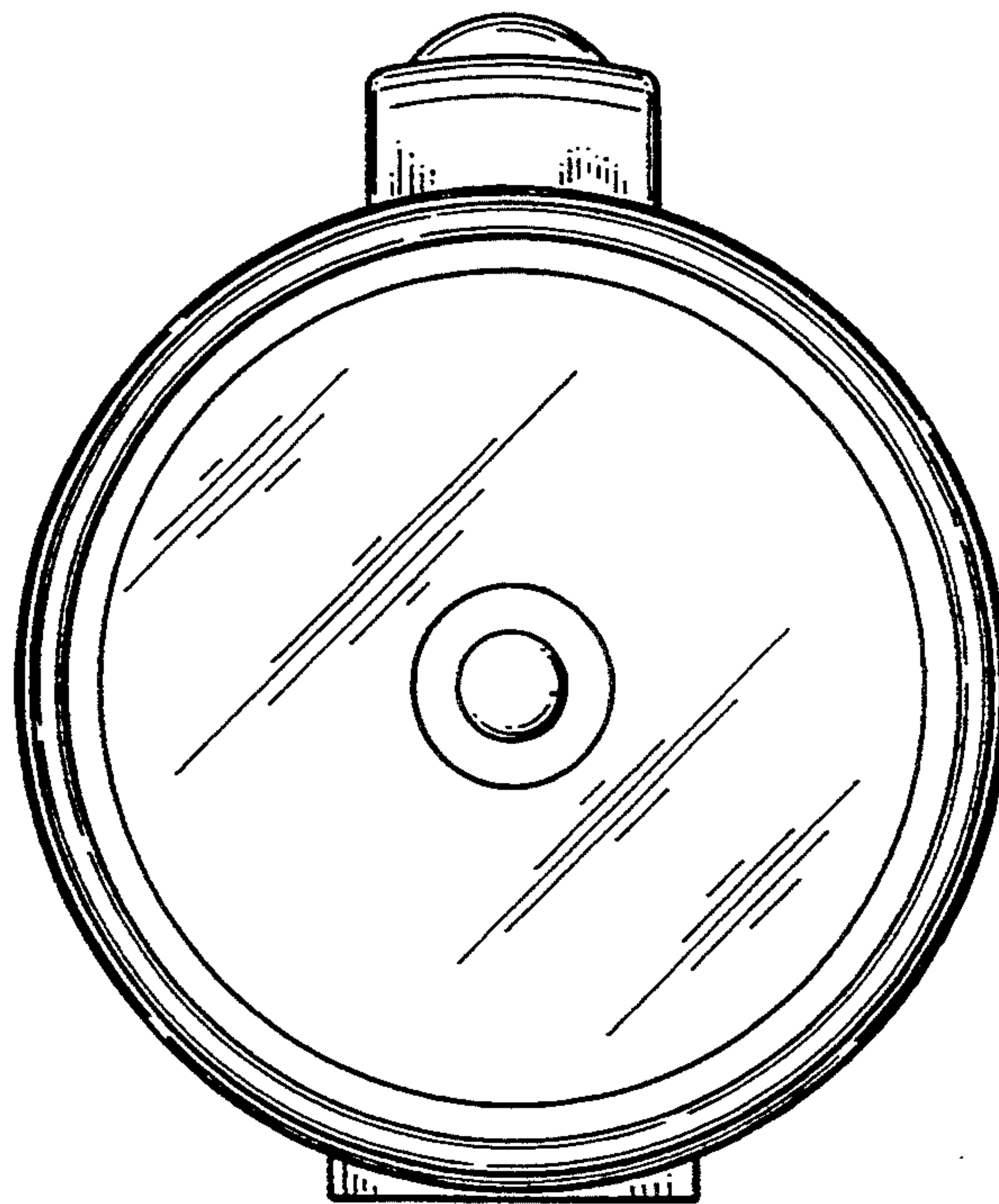


Fig. 3

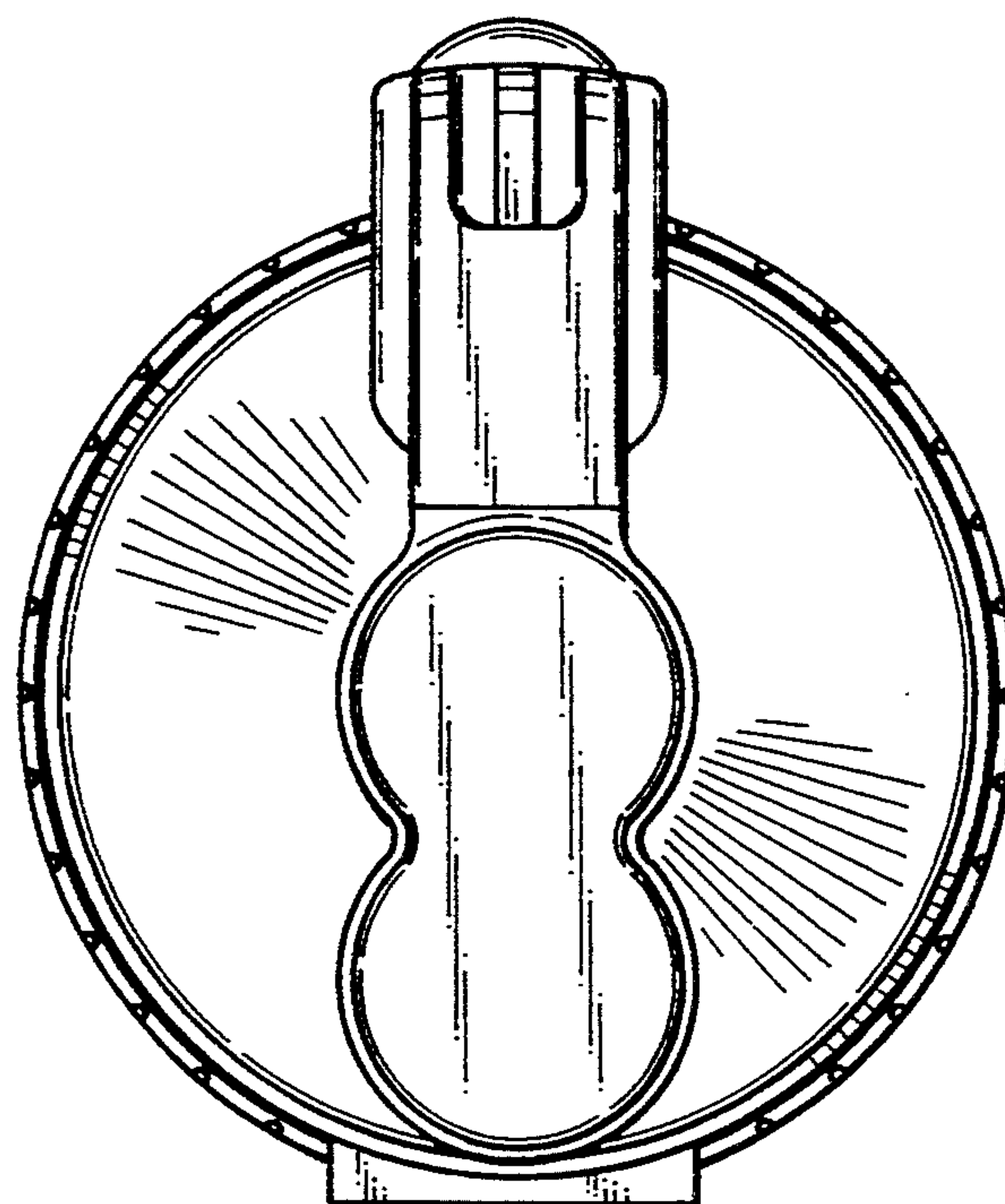


Fig. 4

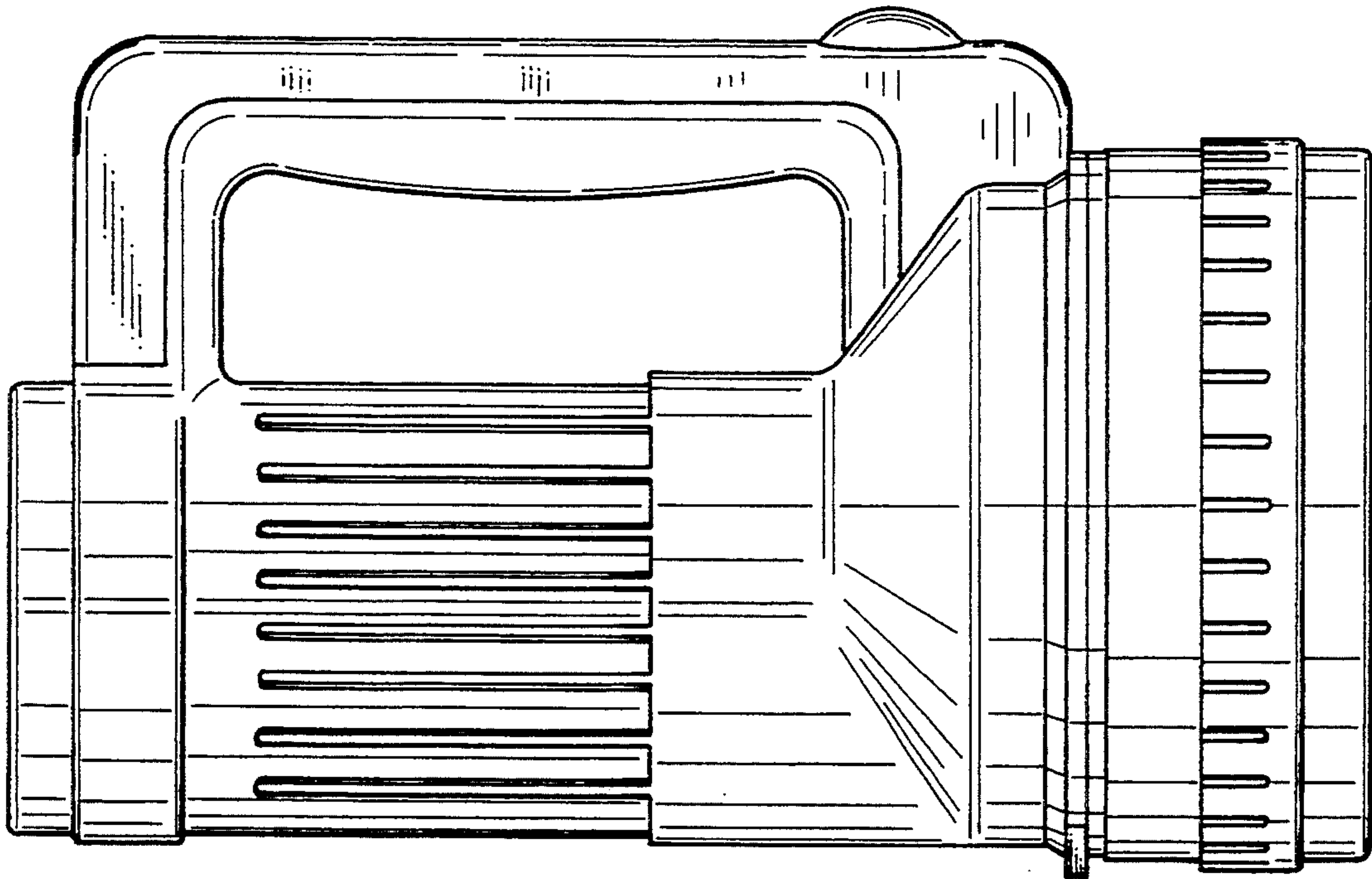


Fig. 5

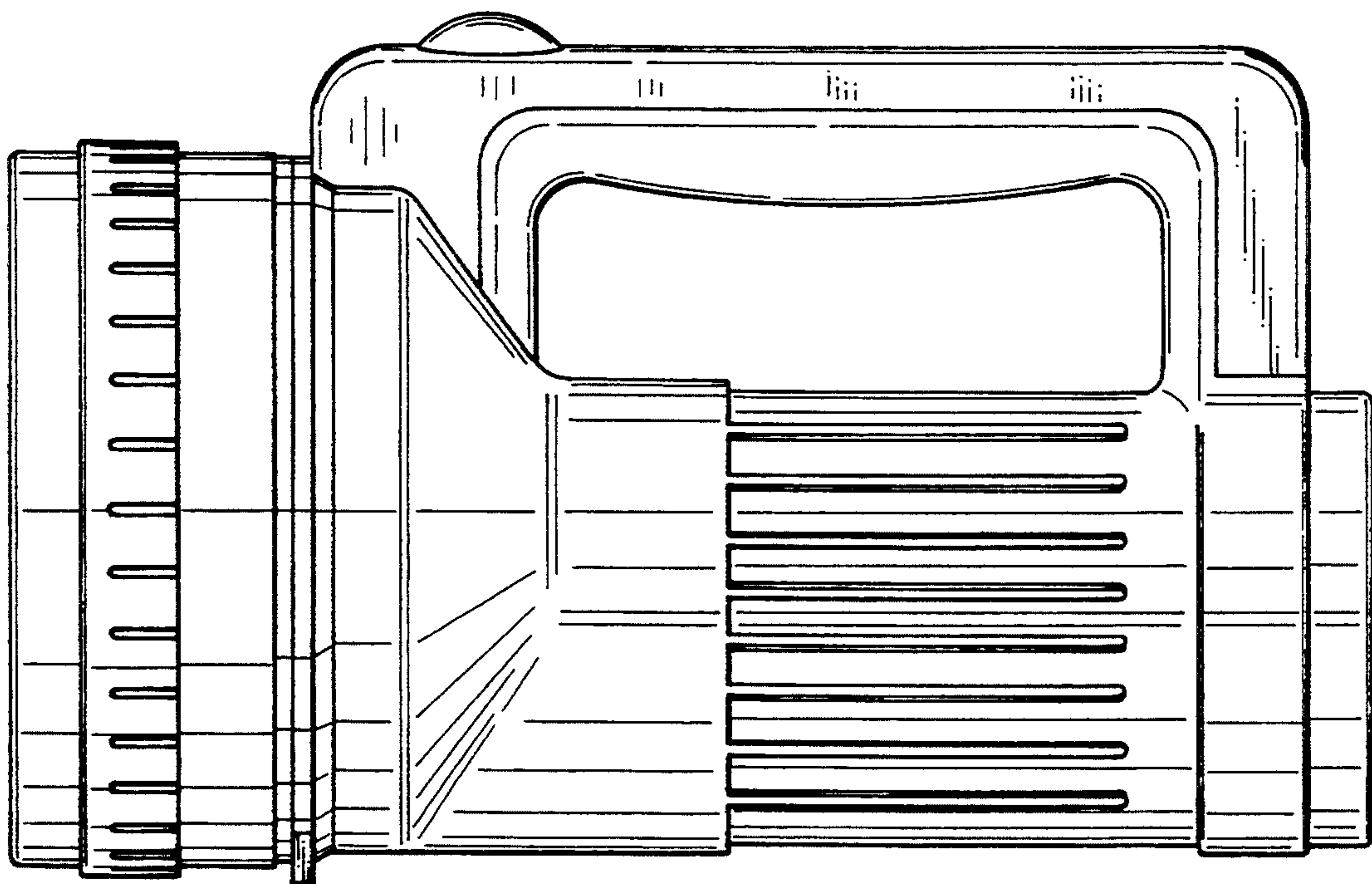


Fig. 6

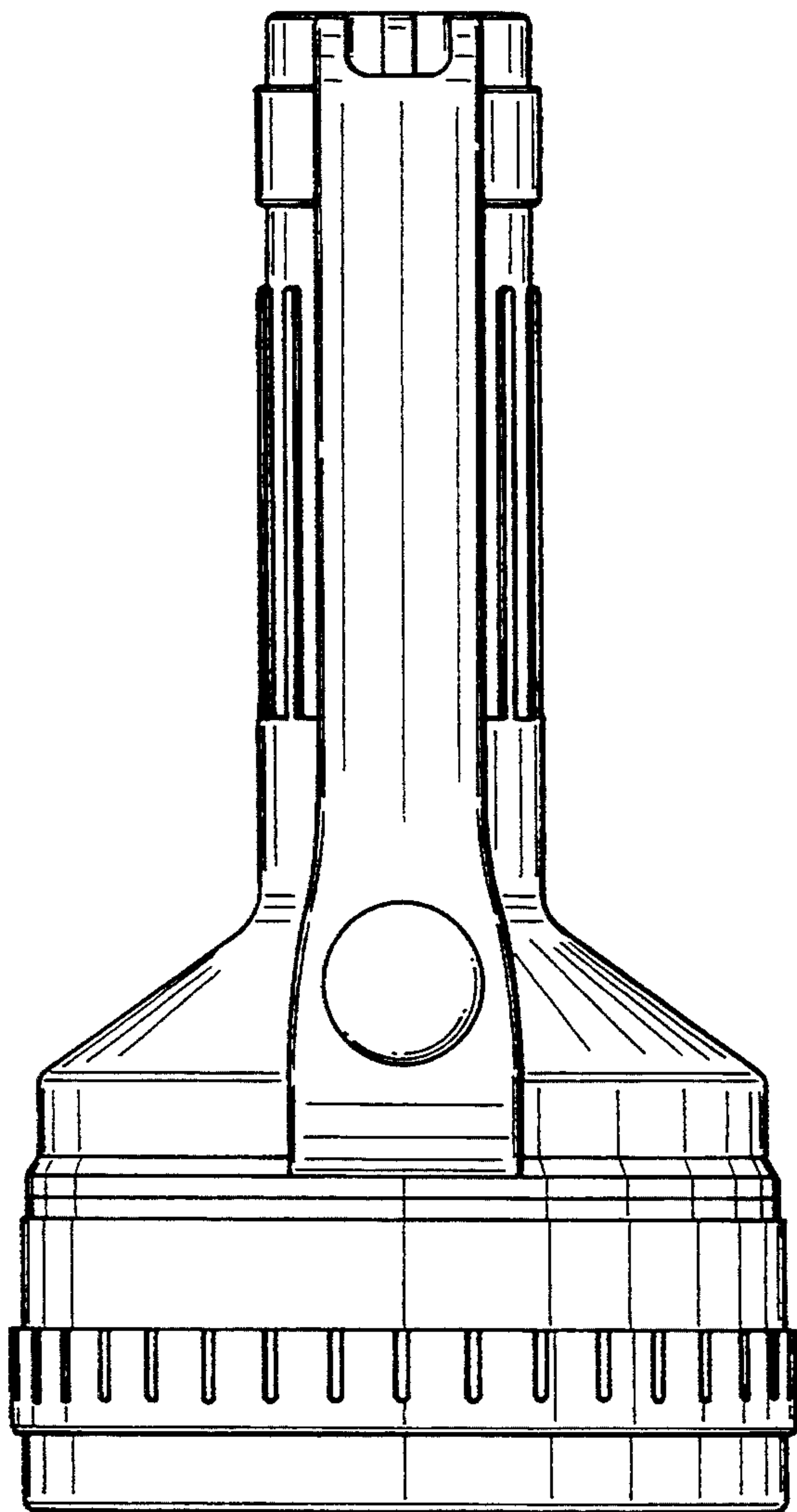


Fig. 7

