



US00D360040S

United States Patent [19] Cole

[11] Patent Number: **Des. 360,040**
[45] Date of Patent: **** Jul. 4, 1995**

[54] WINDOW COMPONENT EXTRUSION

[75] Inventor: **Douglas L. Cole, Seattle, Wash.**

[73] Assignee: **Mikron Industries, Kent, Wash.**

[**] Term: **14 Years**

[21] Appl. No.: **19,989**

[22] Filed: **Mar. 16, 1994**

[52] U.S. Cl. **D25/124**

[58] Field of Search **D25/60, 52, 124, 125;
49/504, 505, DIG. 2; 52/204.5, 204.56, 204.51,
730.3, 204.1**

[56] References Cited

U.S. PATENT DOCUMENTS

D. 336,344 6/1993 Cole D25/124
4,924,628 5/1990 Ruby et al. 49/DIG. 2

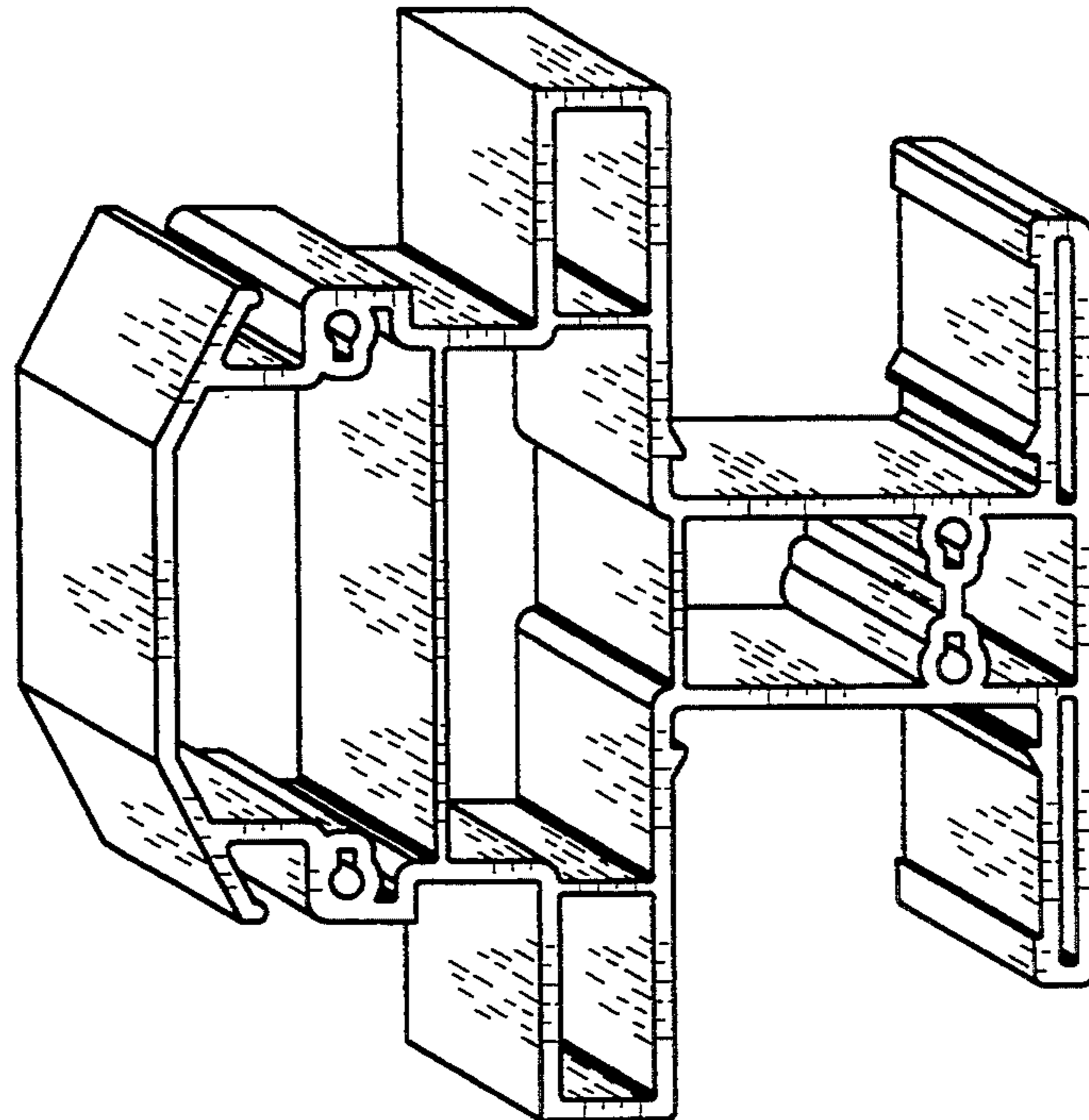
Primary Examiner—Doris Clark
Attorney, Agent, or Firm—Seed and Berry

[57] CLAIM

The ornamental design for a window component extrusion, as shown and described.

DESCRIPTION

FIG. 1 is a top right perspective view of a window component extrusion showing my new design, the window component extrusion being of indefinite length. FIG. 2 is a bottom left perspective view thereof.



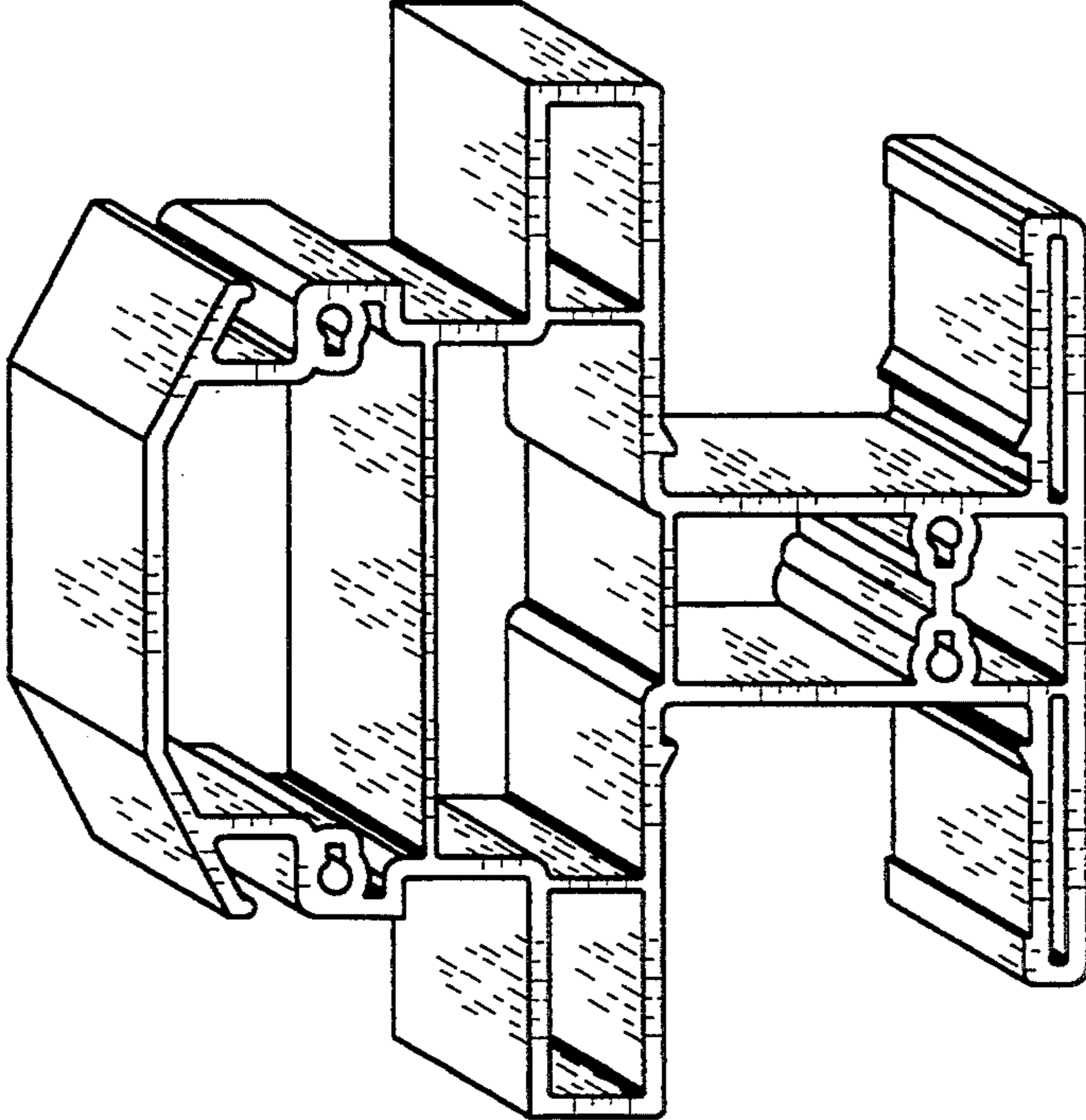


FIG. 1

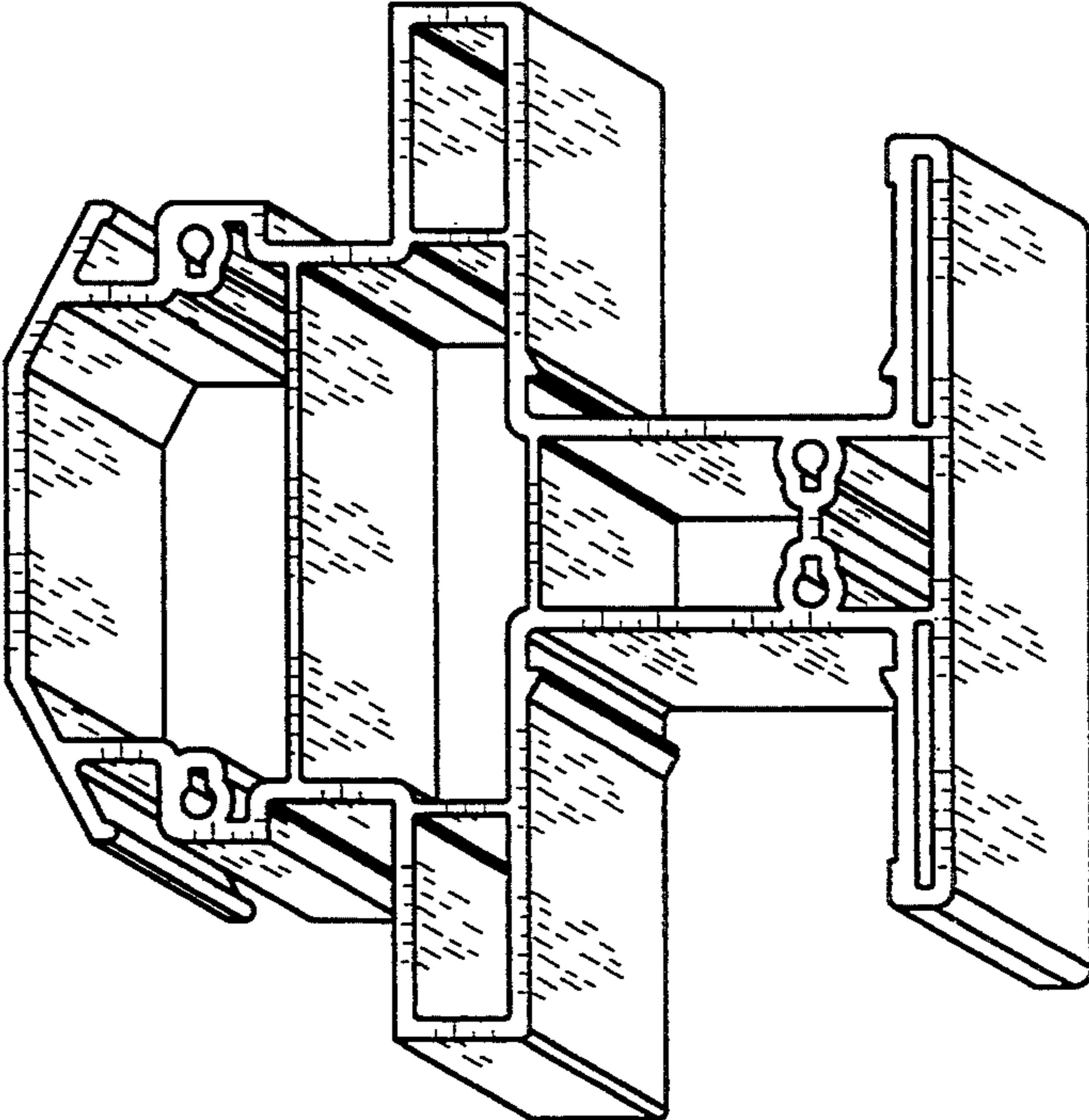


FIG. 2