



US00D360037S

United States Patent [19]

[11] Patent Number: **Des. 360,037**

Markle et al.

[45] Date of Patent: **** Jul. 4, 1995**

[54] LAB MIXER FOR BIOTECHNOLOGY

OTHER PUBLICATIONS

[75] Inventors: **Stephen L. Markle; Daniel J. Bentley**, both of Rochester; **Rodney J. Scheer; David O. Mechler**, both of Fairport, all of N.Y.

The Cole-Parmer Catalog 1991-1992 "New Lightning Lab Master II Mixers" p. 537 @1990.

[73] Assignee: **General Signal Corporation**, Stamford, Conn.

Primary Examiner—A. Hugo Word
Assistant Examiner—I. Simmons
Attorney, Agent, or Firm—Robert R. Hubbard; Charles N. J. Ruggiero

[**] Term: **14 Years**

[57] CLAIM

[21] Appl. No.: **497**

The ornamental design for a lab mixer for biotechnology, as shown and described.

[22] Filed: **Oct. 15, 1992**

DESCRIPTION

[52] U.S. Cl. **D24/220**

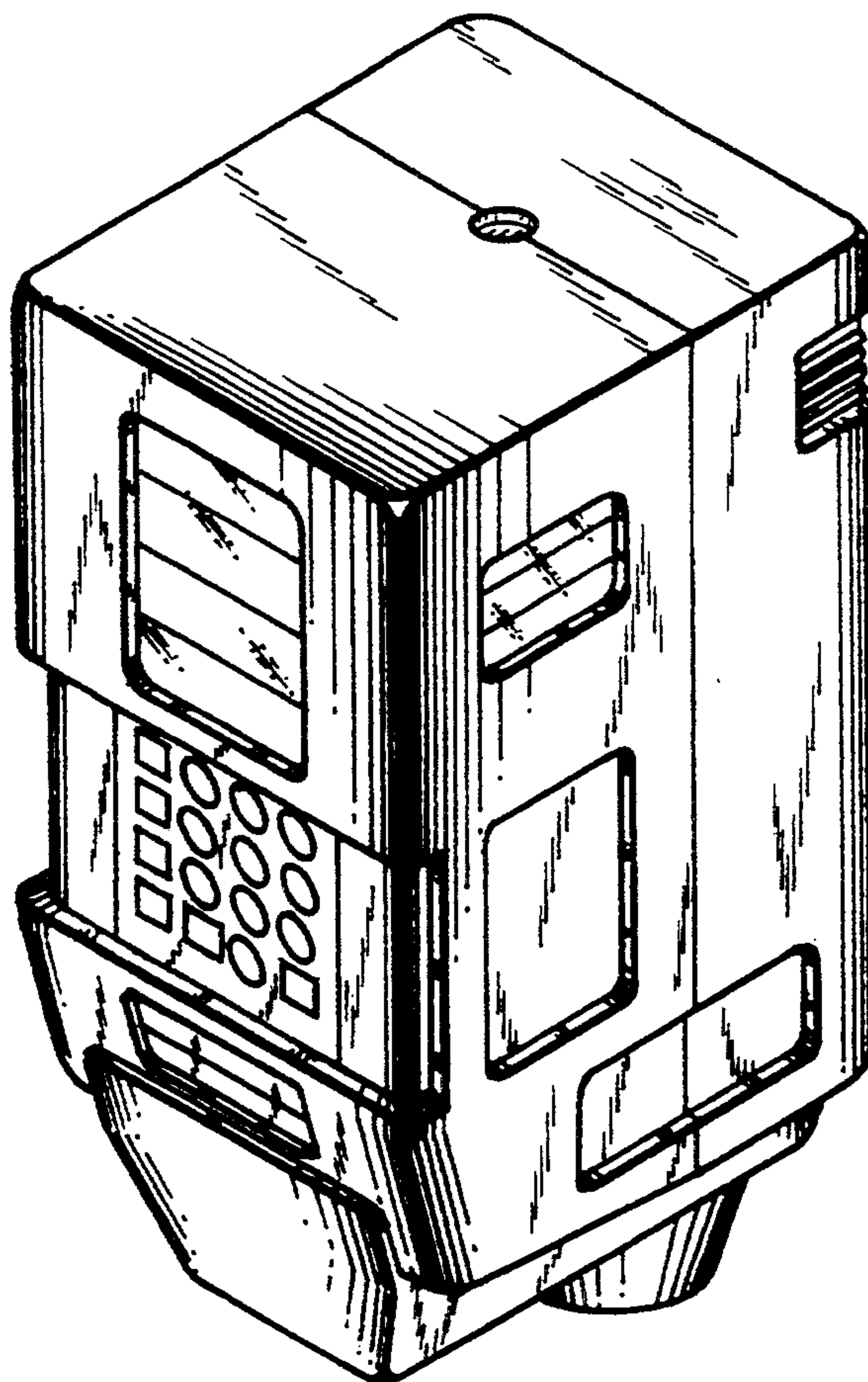
[58] Field of Search **D24/220; D7/376; 366/241, 244, 249, 263, 261, 247, 248, 249, 250, 251; 416/231, 282, 29, 261**

FIG. 1 is a perspective view of a lab mixer for biotechnology embodying our invention;
FIG. 2 is a right side elevational view of a lab mixer for biotechnology of FIG. 1;
FIG. 3 is a left side elevational view of a lab mixer for biotechnology of FIG. 1;
FIG. 4 is another perspective view of a lab mixer for biotechnology of FIG. 1 showing the top left and rear sides thereof;
FIG. 5 is a top view of a lab mixer for biotechnology of FIG. 1; and,
FIG. 6 is a bottom view of a lab mixer for biotechnology of FIG. 1.

[56] References Cited

U.S. PATENT DOCUMENTS

D. 290,393	6/1987	Stevens et al.	D24/220
D. 290,395	6/1987	Stevens et al.	D24/220
D. 322,322	12/1991	Markle et al.	D24/220
4,422,771	12/1983	Earhart et al.	366/251
5,094,542	3/1992	Engels et al.	366/282



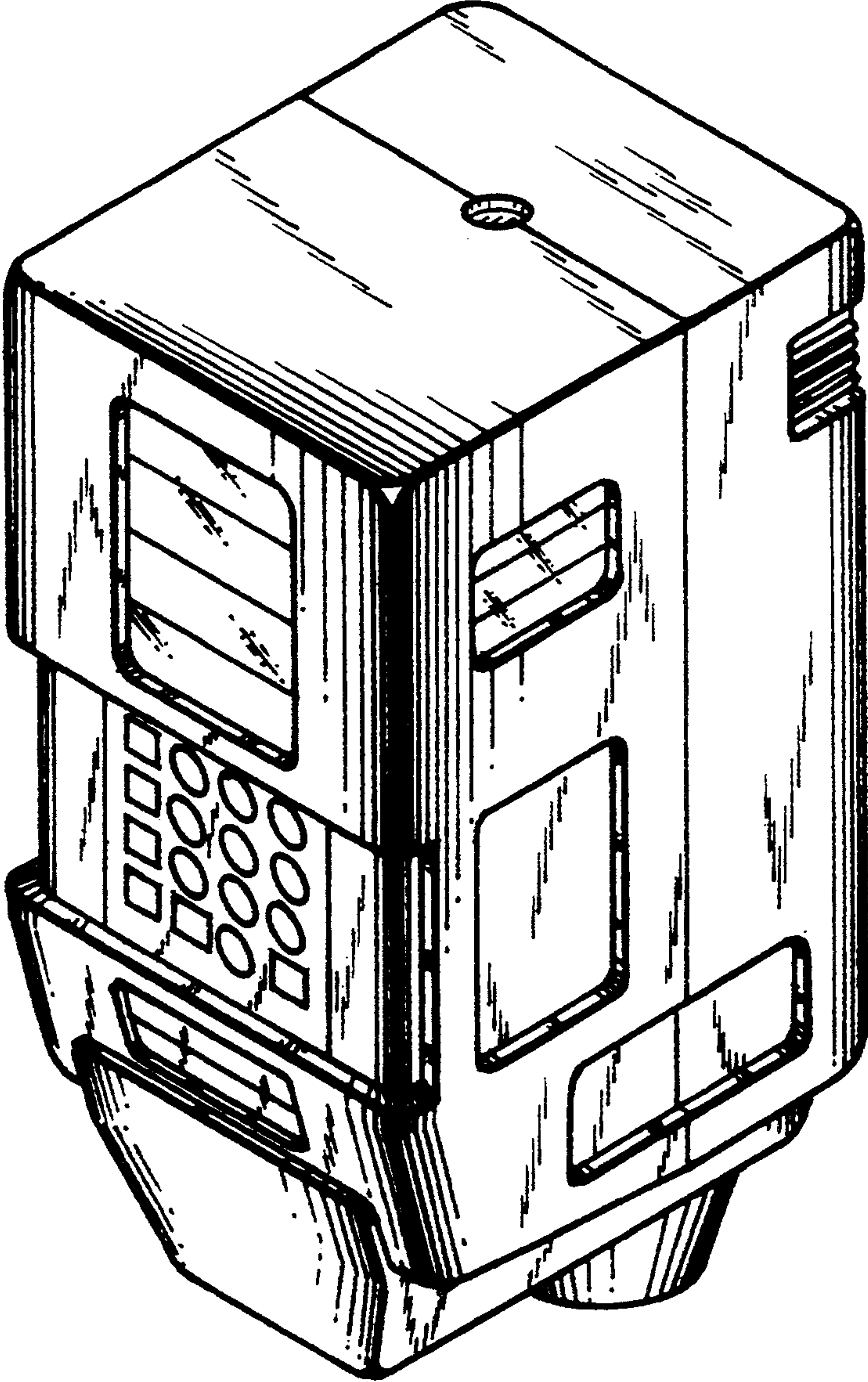


FIG.1

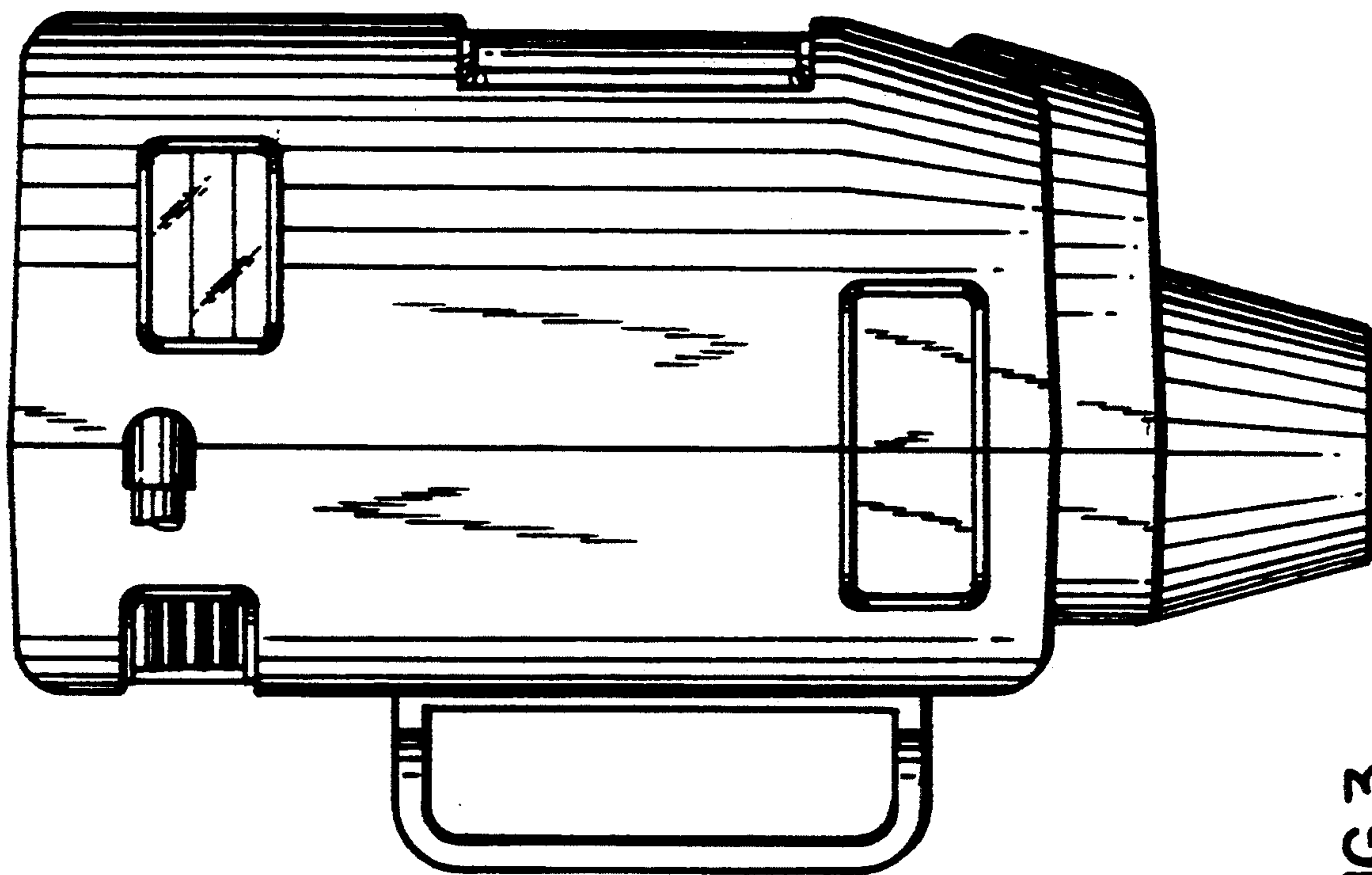


FIG. 3

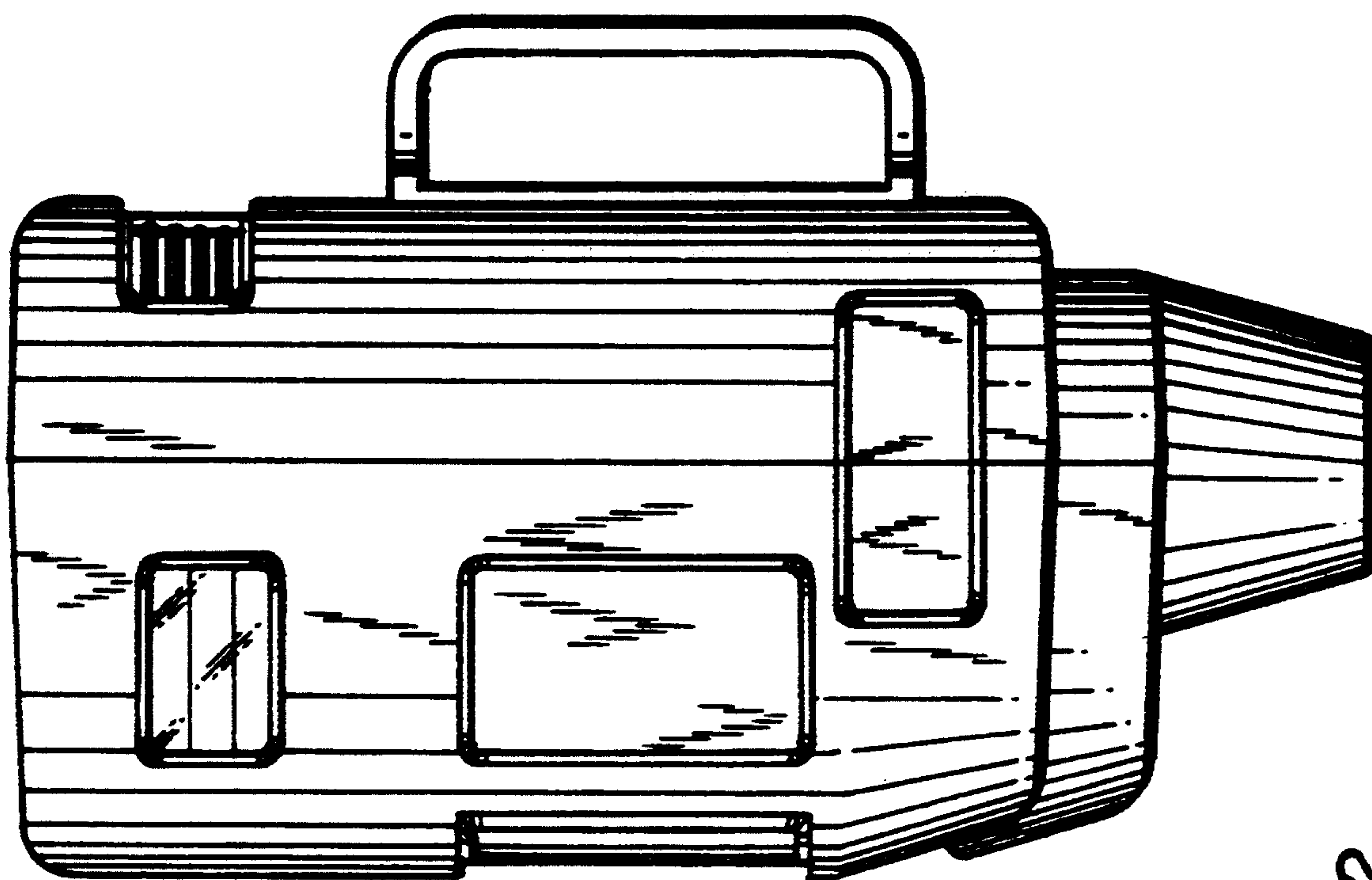


FIG. 2

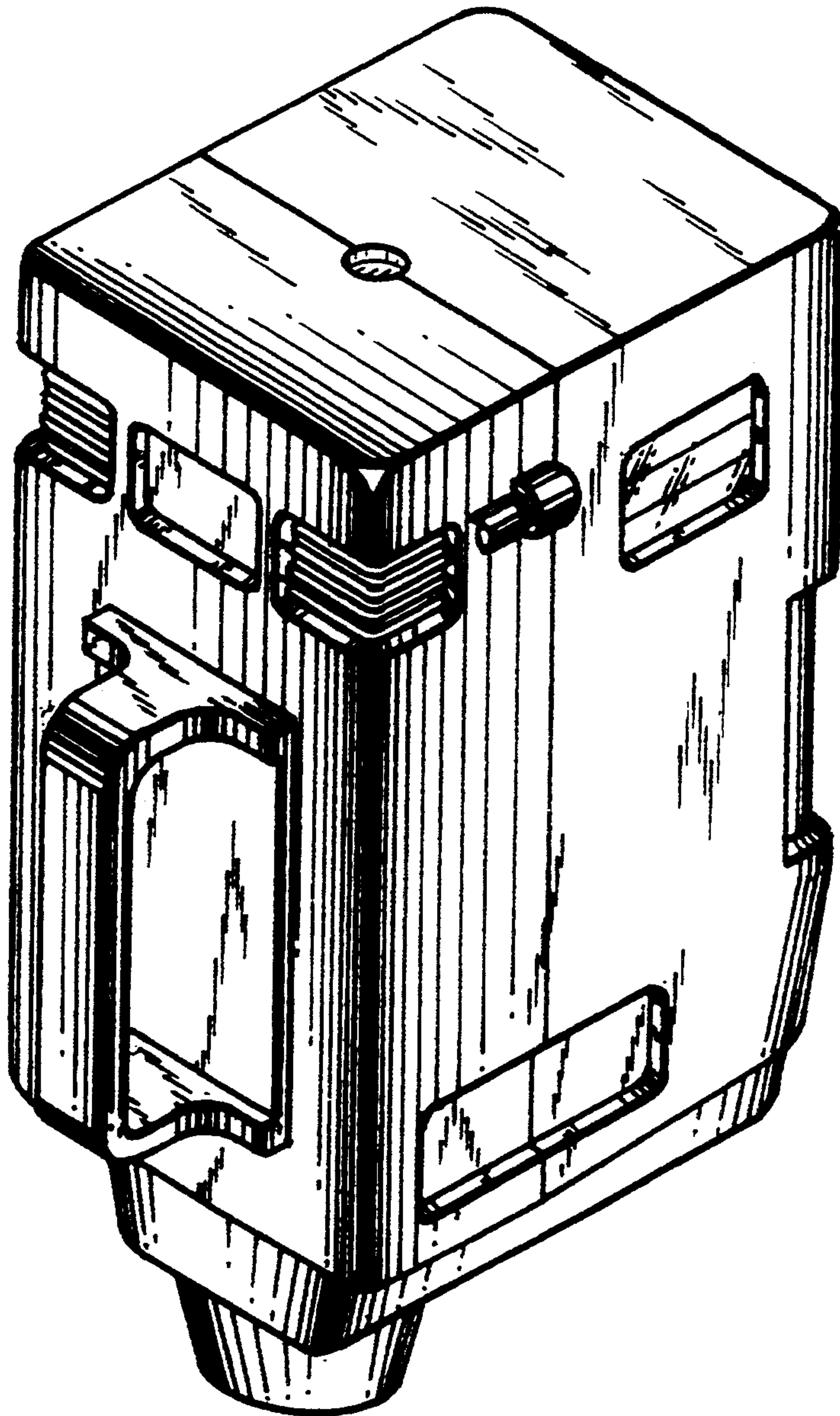


FIG.4

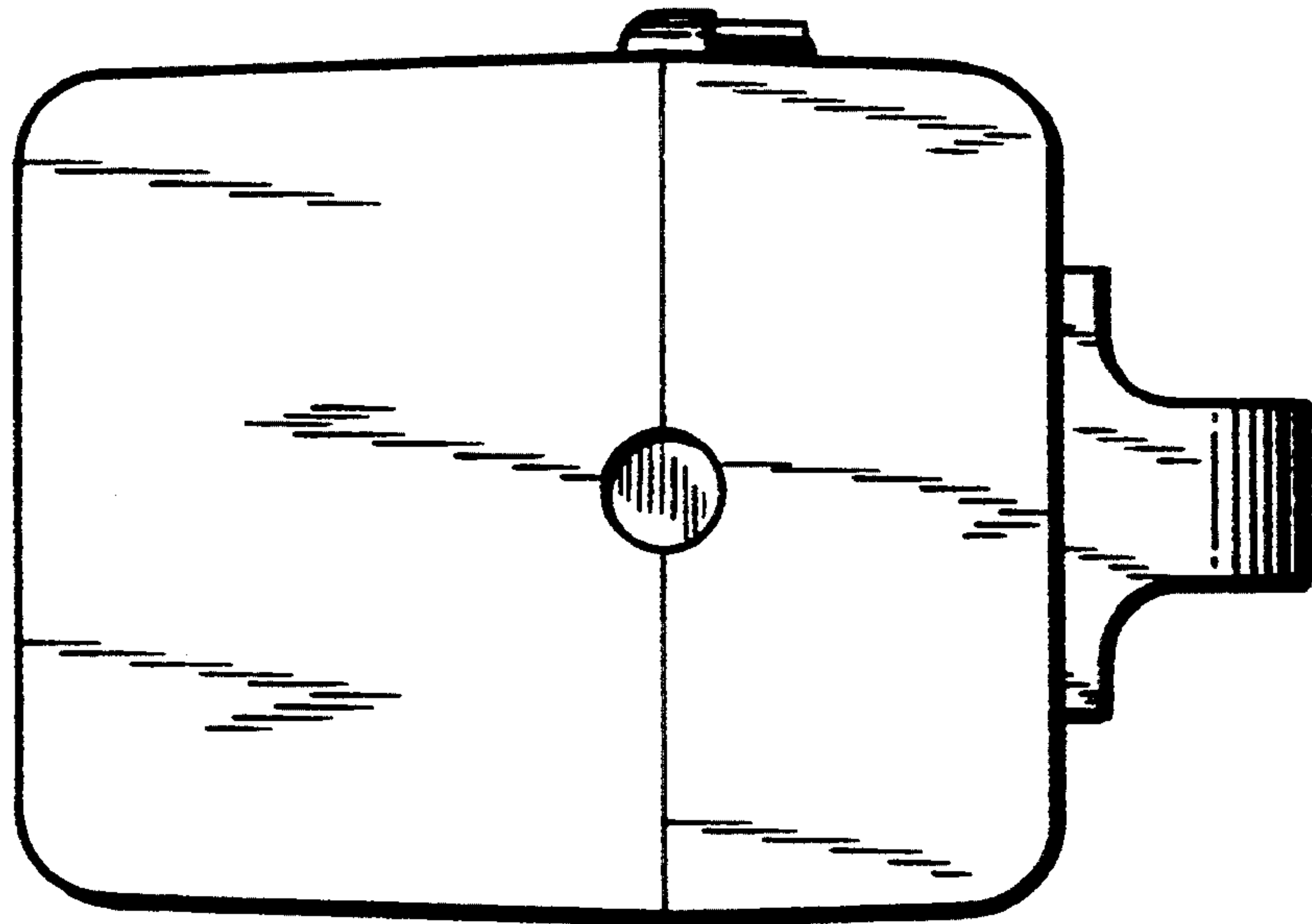


FIG.5

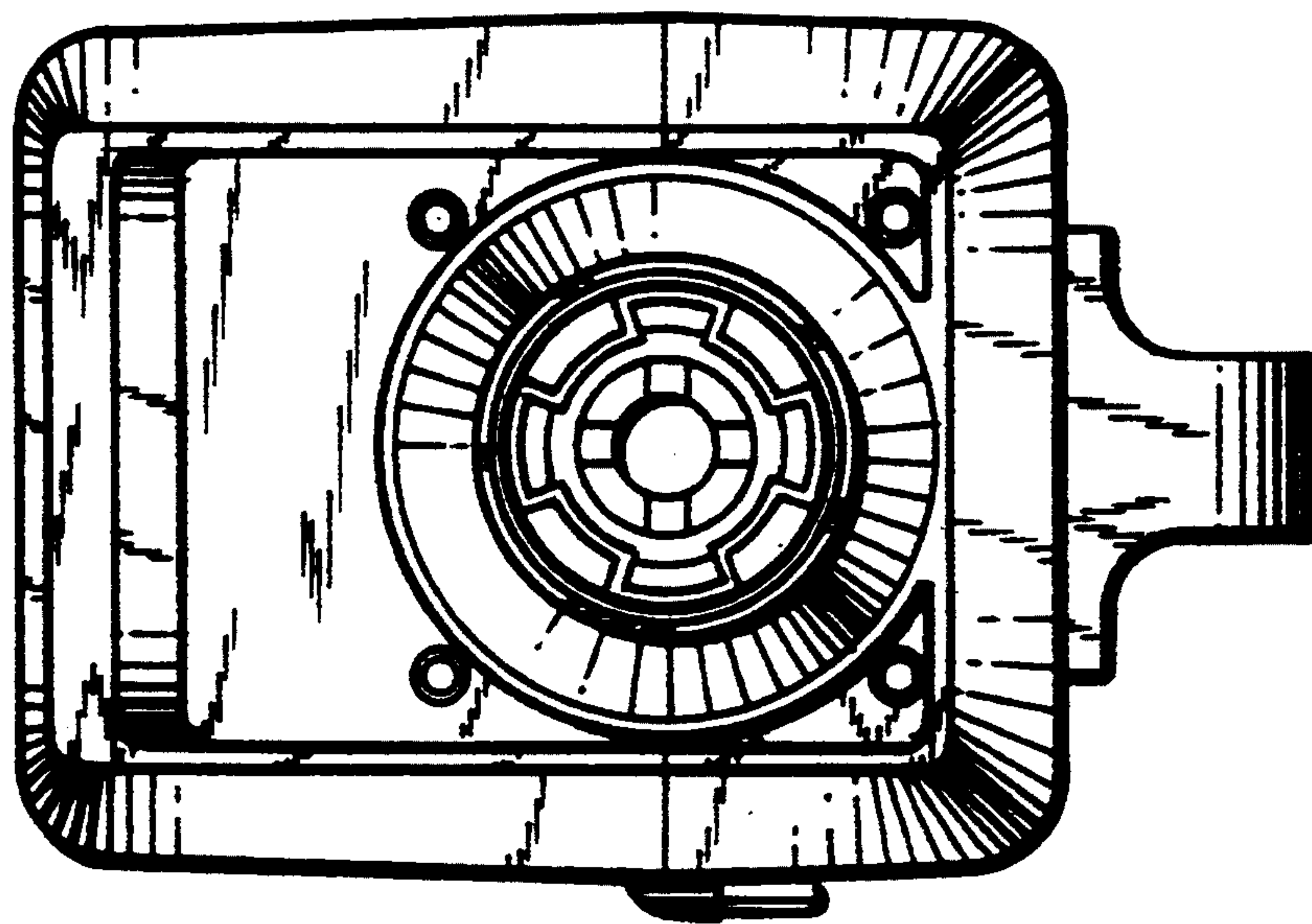


FIG.6