



US00D360034S

United States Patent [19]

[11] Patent Number: **Des. 360,034**

Wells

[45] Date of Patent: **** Jul. 4, 1995**

[54] **VACUUM CHAMBER FOR HOUSING A BLOOD BAG**

4,516,973	5/1985	Telang	604/319
4,772,256	9/1988	Lane et al.	604/319 X
4,898,593	2/1990	Swisher et al.	604/319

[75] Inventor: **John R. Wells**, Culver City, Calif.

Primary Examiner—Stella Reid
Attorney, Agent, or Firm—Donald G. Lewis

[73] Assignee: **Bard Autotransfusion Acquisition Corp.**, Murray Hill, N.J.

[57] **CLAIM**

[**] Term: **14 Years**

The ornamental design for the vacuum chamber for housing a blood bag, as shown and described.

[21] Appl. No.: **13,699**

DESCRIPTION

[22] Filed: **Sep. 30, 1993**

[52] U.S. Cl. **D24/169**

[58] Field of Search **D24/169, 167;**
604/319-321, 4, 6, 28, 406

FIG. 1 is a perspective view of a vacuum chamber for housing a blood bag, showing my new design;
FIG. 2 is a top plan view thereof;
FIG. 3 is a front elevational view thereof, the rear elevational view being identical thereto;
FIG. 4 is a right side elevational view thereof;
FIG. 5 is a left side elevational view thereof; and,
FIG. 6 is a bottom plan view thereof.

[56] **References Cited**

U.S. PATENT DOCUMENTS

D. 333,870 3/1993 Wells **D24/169**

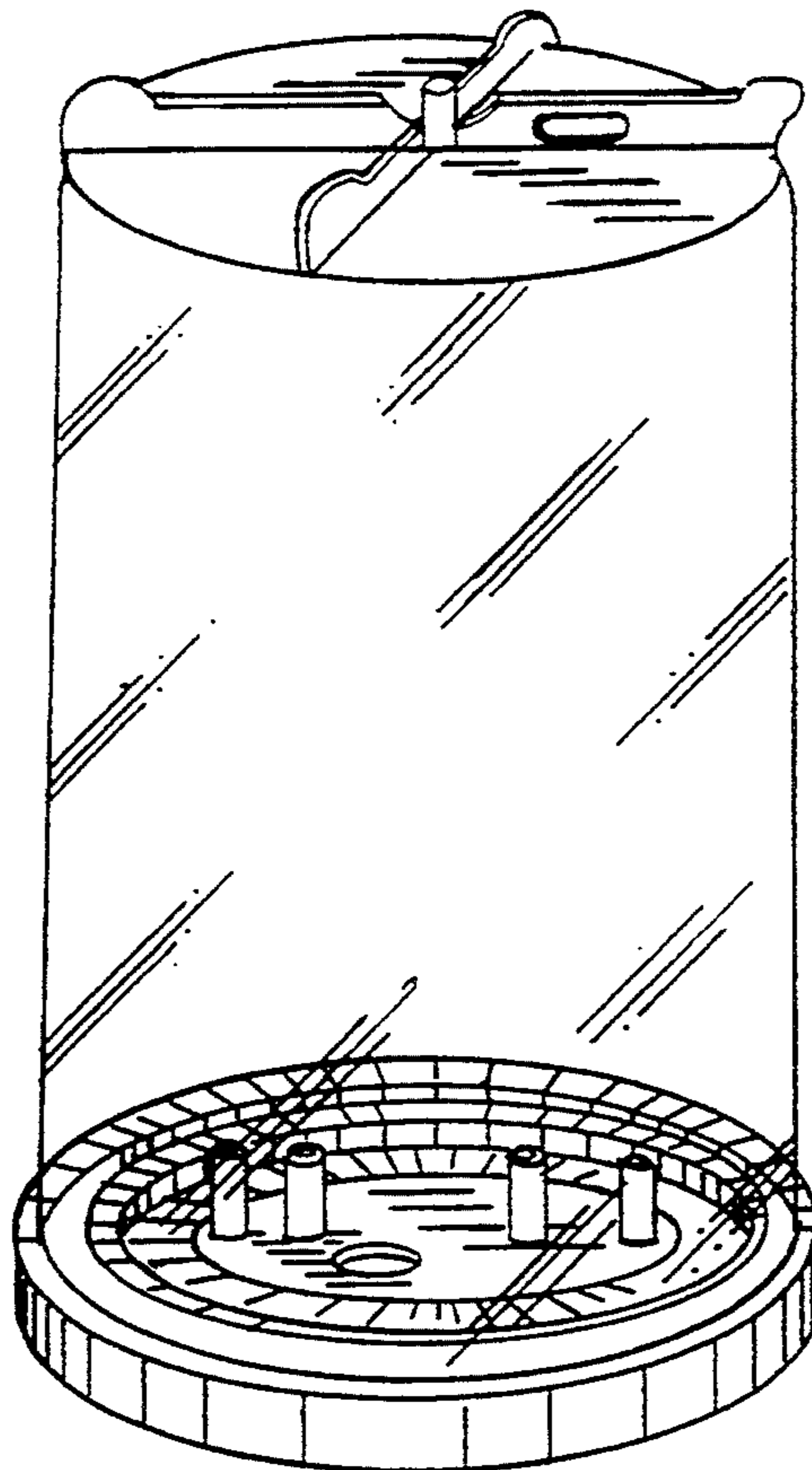


Fig. 1

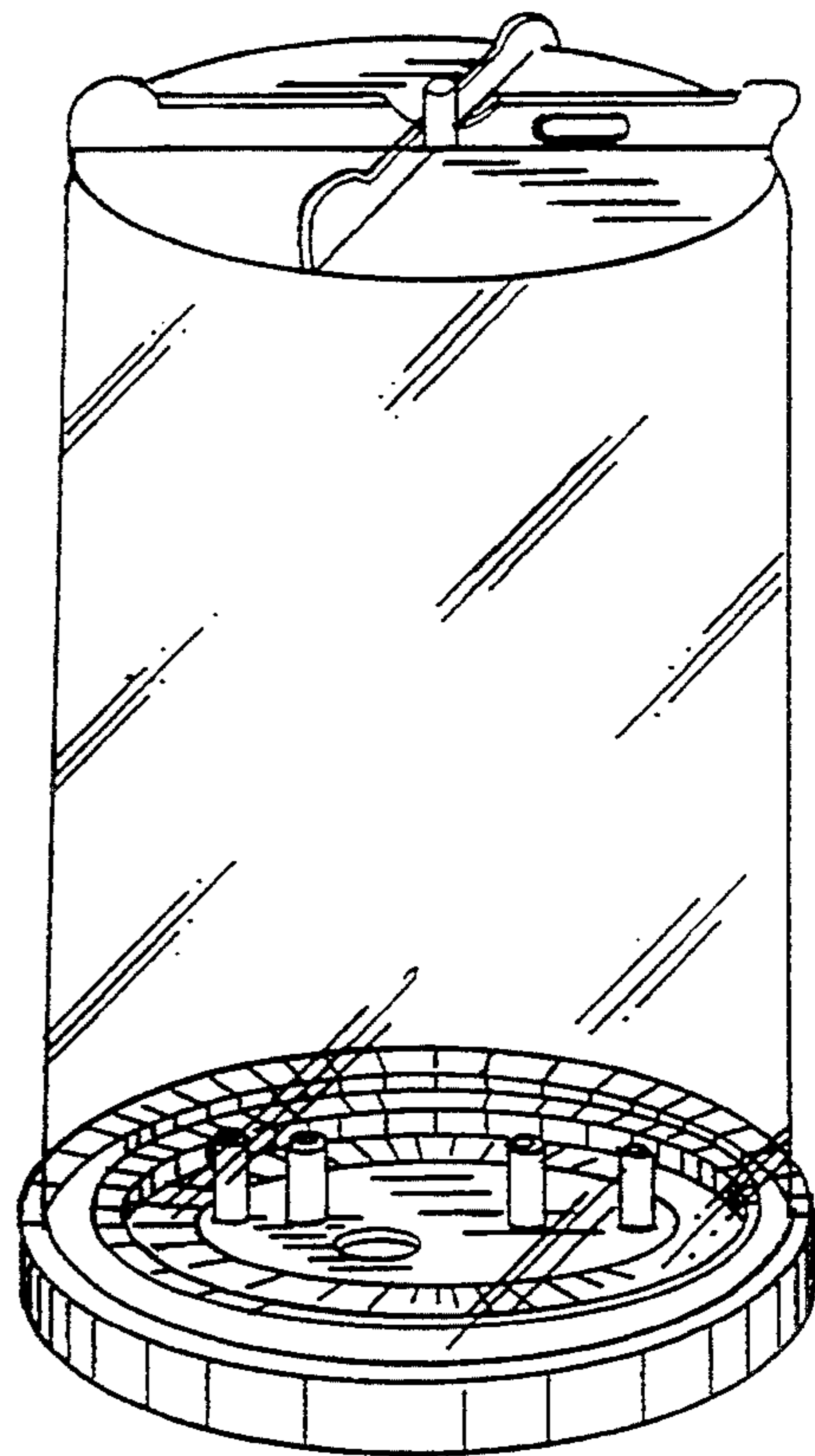


Fig. 2

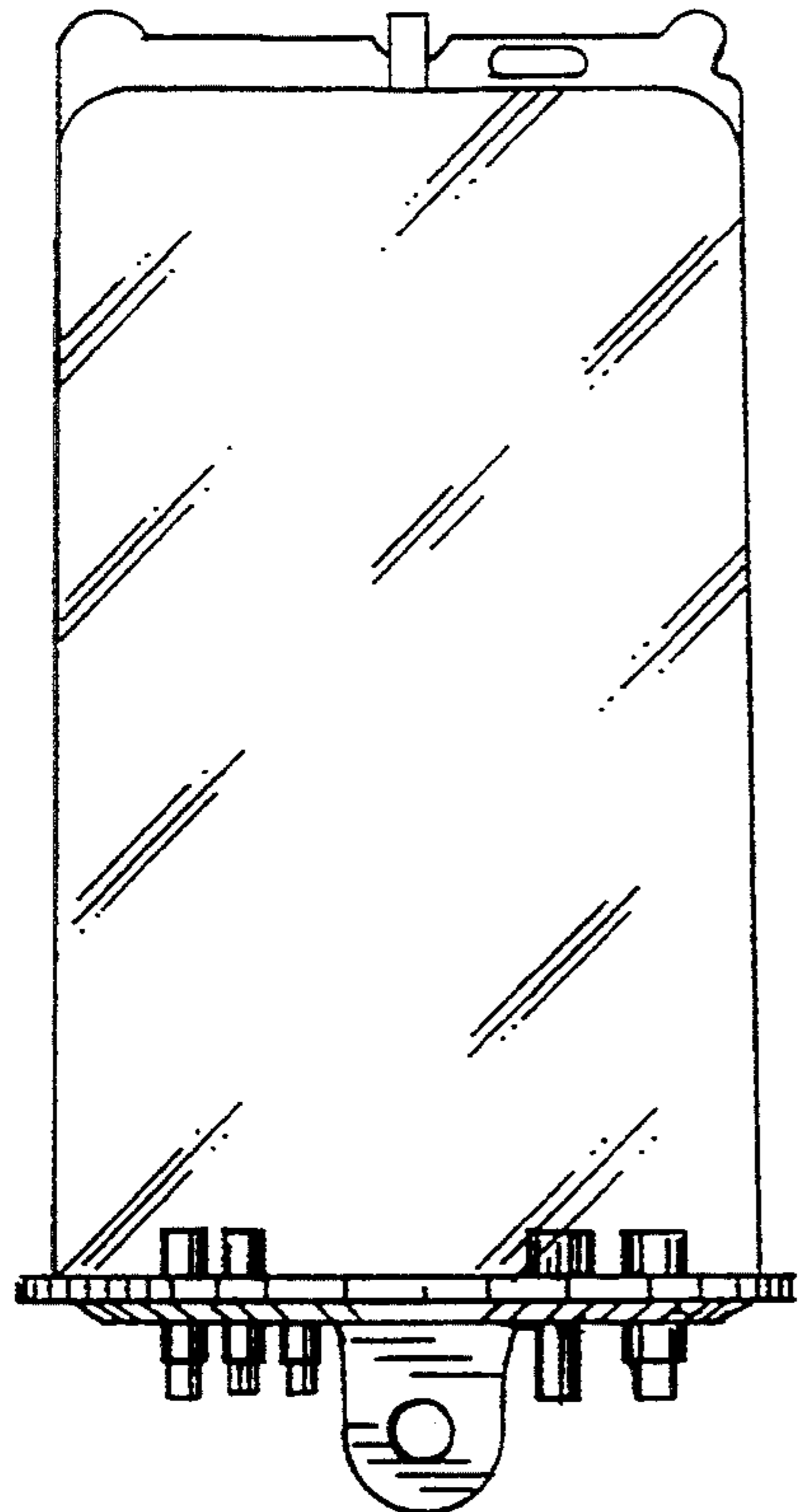
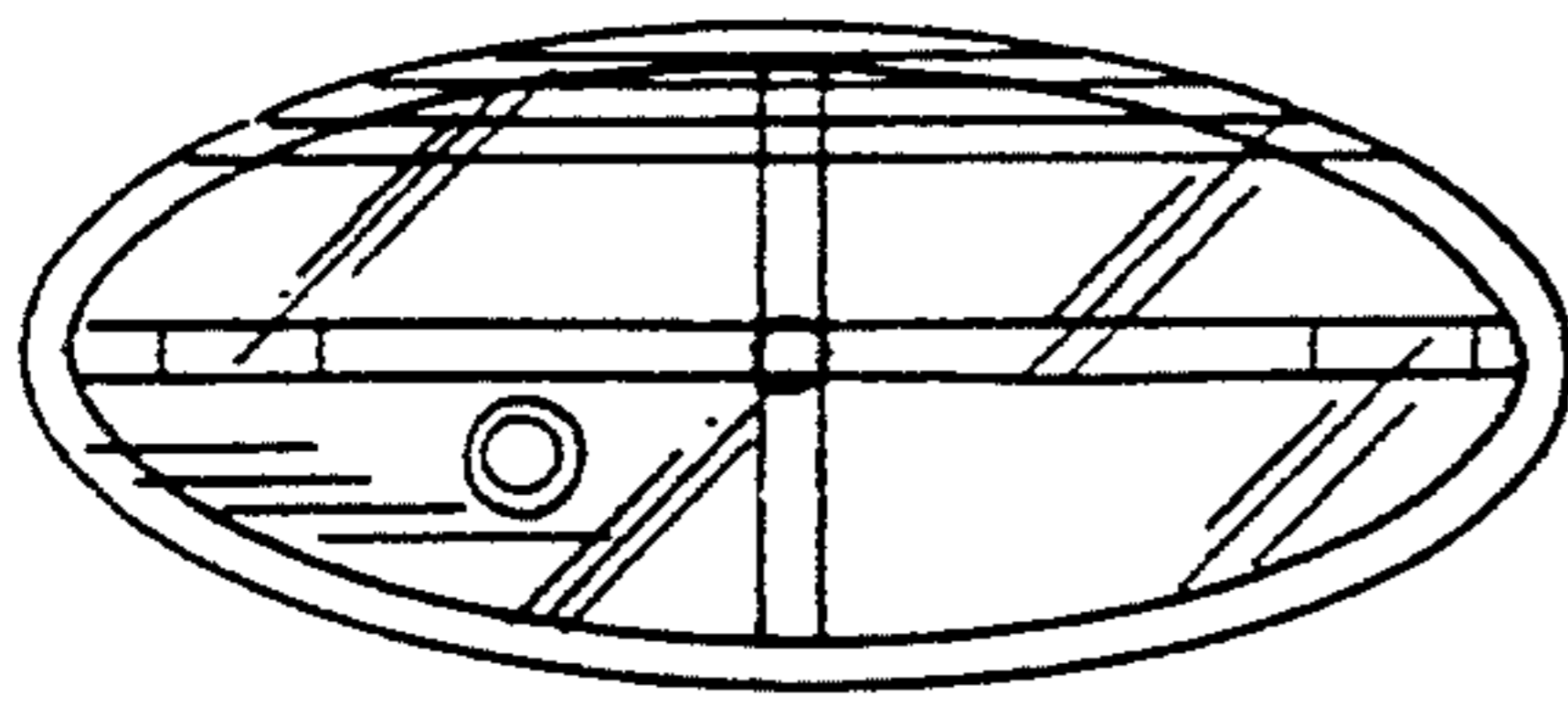


Fig. 3

Fig. 5

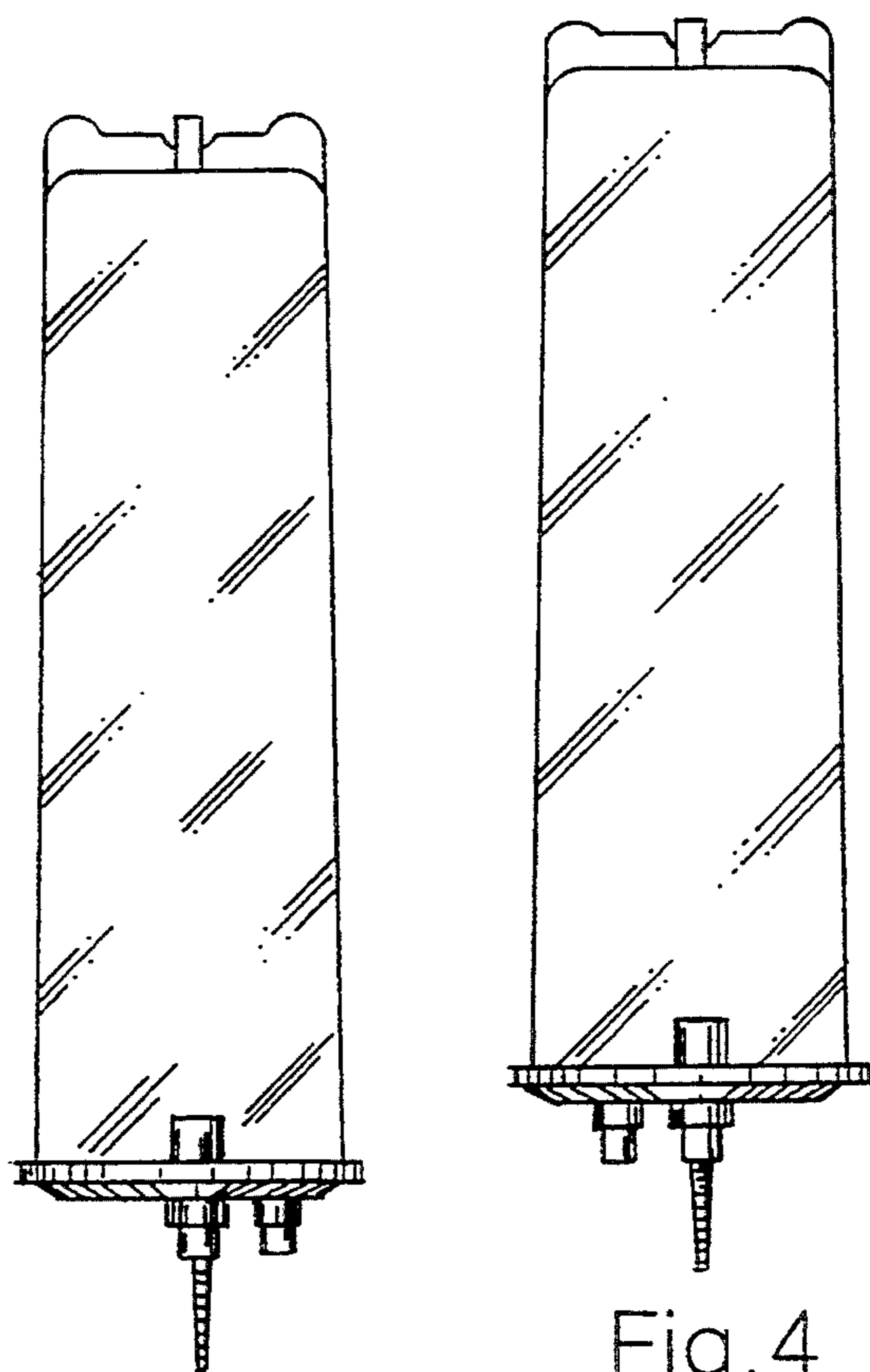


Fig. 4

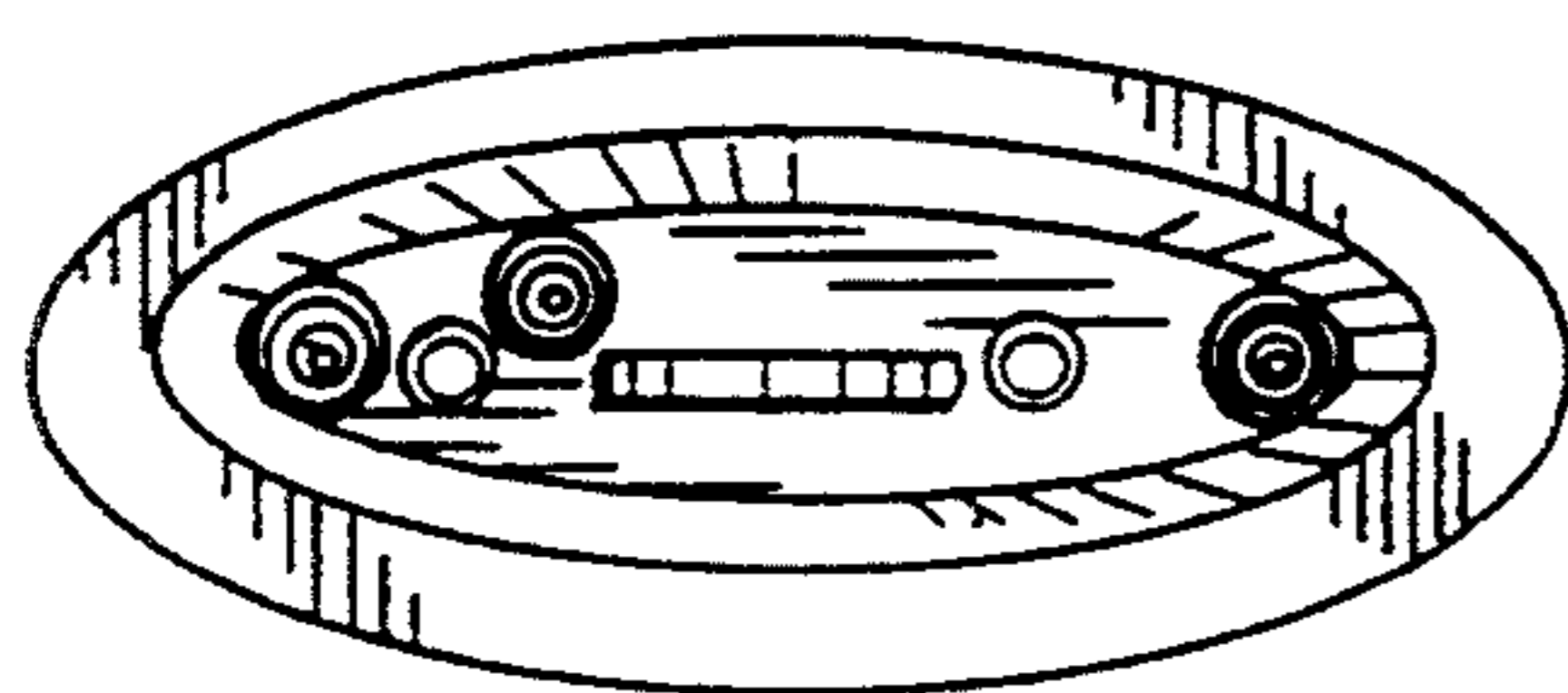


Fig. 6