



US00D360033S

United States Patent [19]

[11] Patent Number: **Des. 360,033**

Davis

[45] Date of Patent: **** Jul. 4, 1995**

[54] **COMBINED FINGER CRADLE AND DROPPER FOR BLOOD TESTING MACHINE**

4,765,344 8/1988 Lape 128/770
5,070,886 12/1991 Mitchen et al. 128/771

[76] Inventor: **Martin R. Davis**, 6904 Williamsburg, Sylvania, Ohio 43560

Primary Examiner—Stella Reid
Attorney, Agent, or Firm—Harold D. Shall

[**] Term: **14 Years**

[57] **CLAIM**

The ornamental design for a combined finger cradle and dropper for blood testing machine, as shown.

[21] Appl. No.: **12,228**

DESCRIPTION

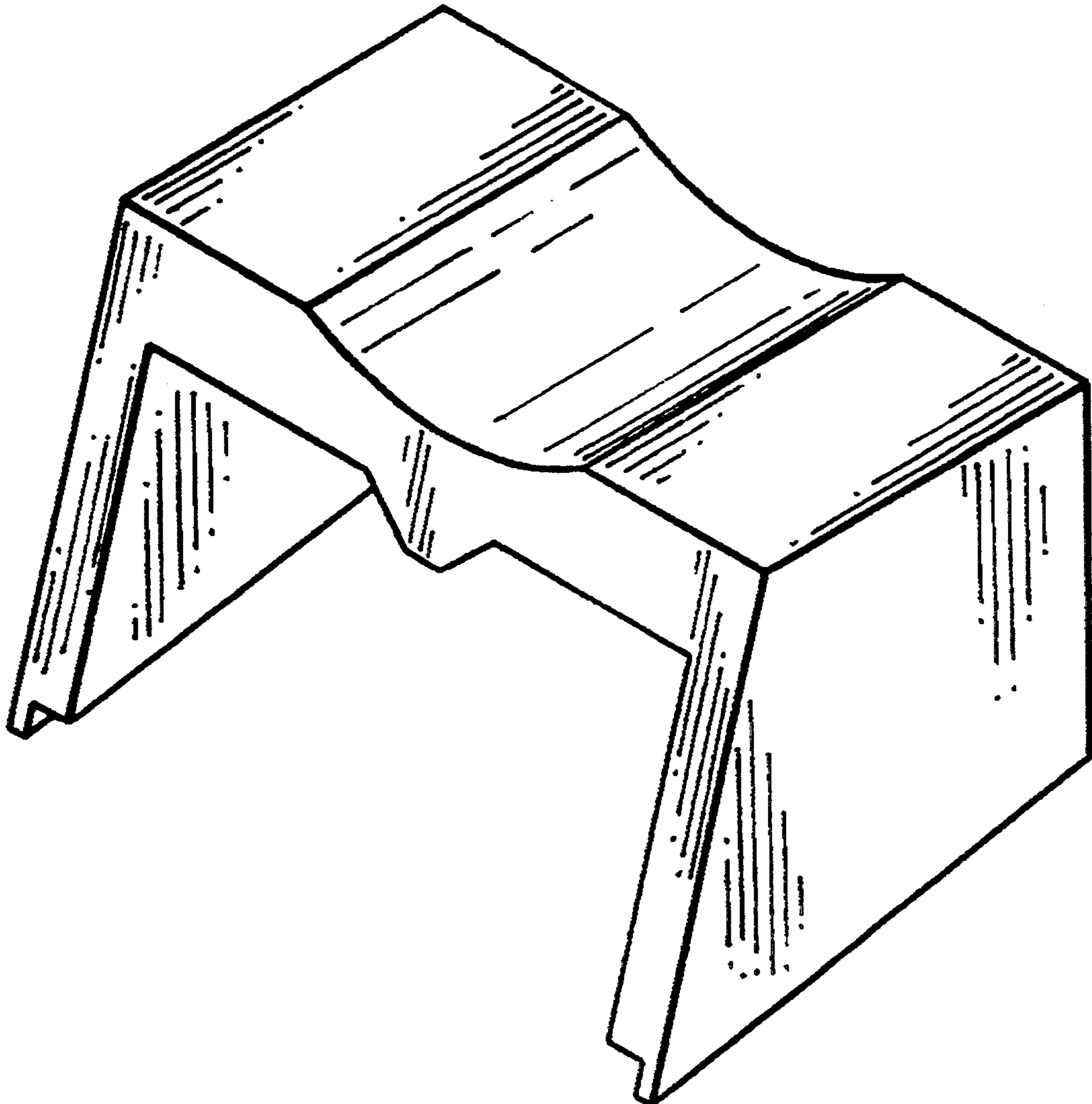
[22] Filed: **Aug. 27, 1993**
[52] U.S. Cl. **D24/169**
[58] Field of Search D24/169; 128/770, 771, 128/760, 763, 765; 422/50, 56, 68, 73, 99

FIG. 1 is a front elevational view of a combined finger cradle and dropper for blood testing machine, showing my new design;
FIG. 2 is a rear elevational view;
FIG. 3 is a left side elevational view;
FIG. 4 is a right side elevational view;
FIG. 5 is a top plan view;
FIG. 6 is a bottom plan view; and,
FIG. 7 is a perspective view.

[56] **References Cited**

U.S. PATENT DOCUMENTS

3,626,929 12/1971 Sanz et al. 128/770
4,661,319 4/1987 Lape 422/68



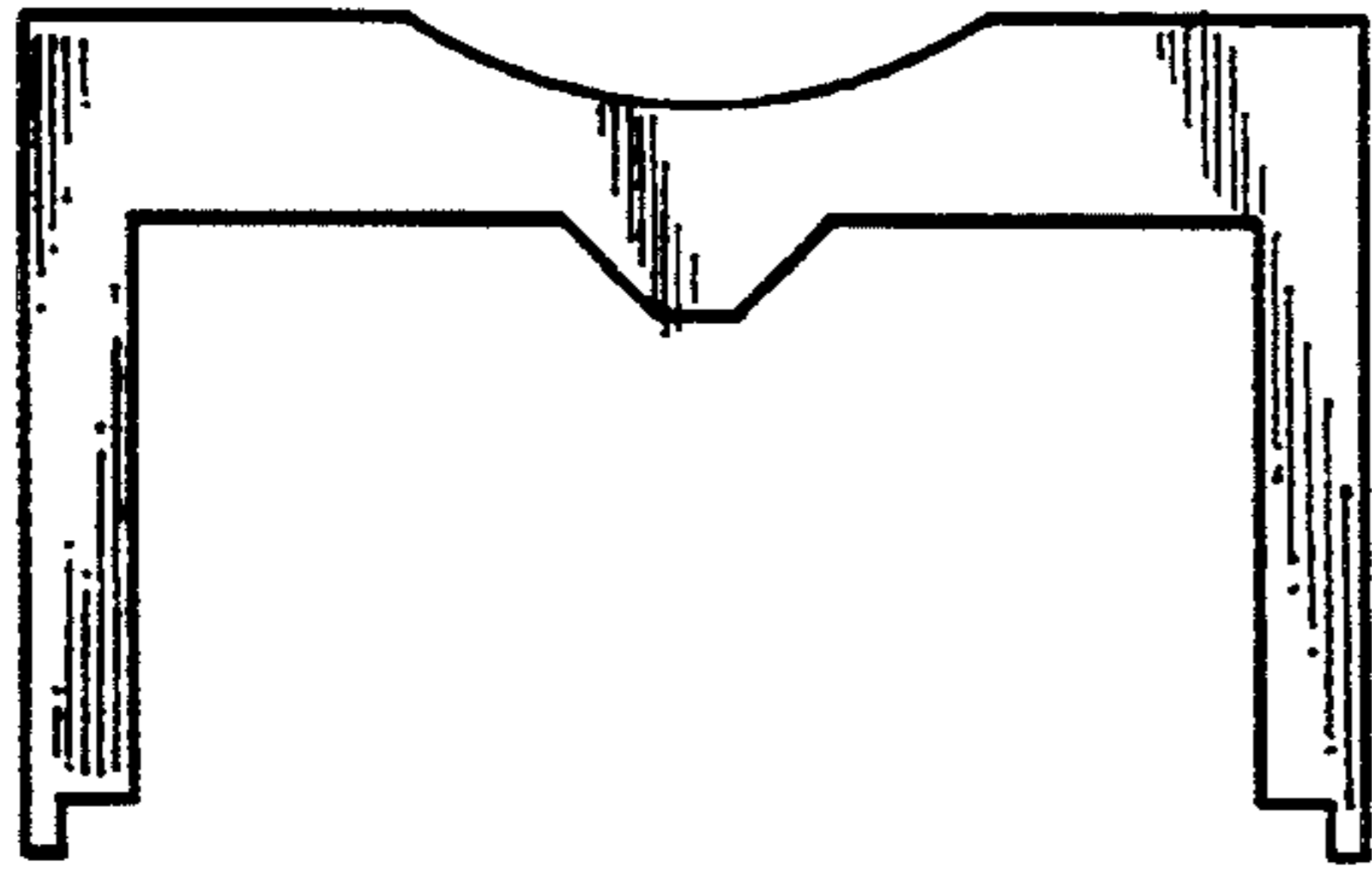


Fig. 1

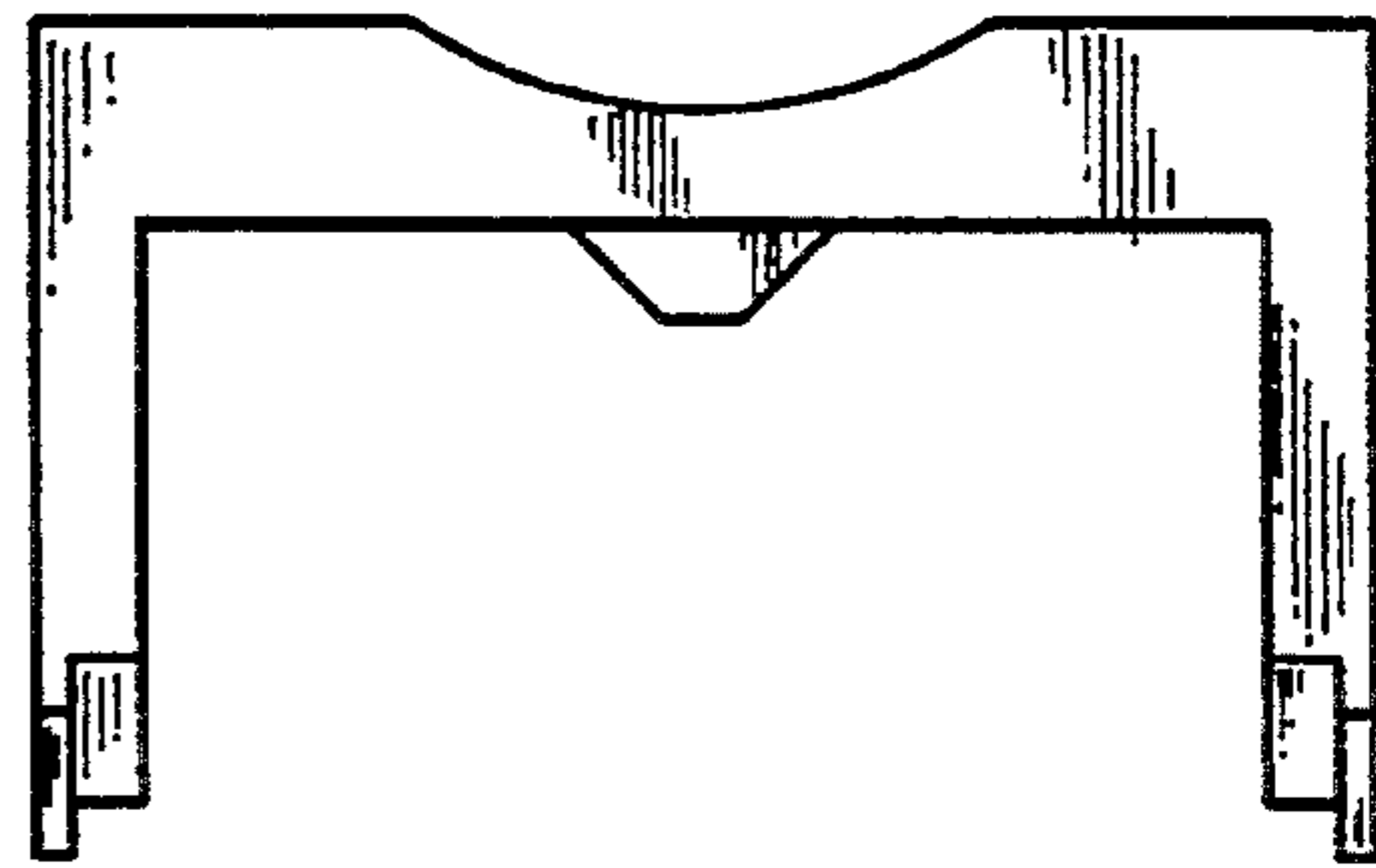


Fig. 2

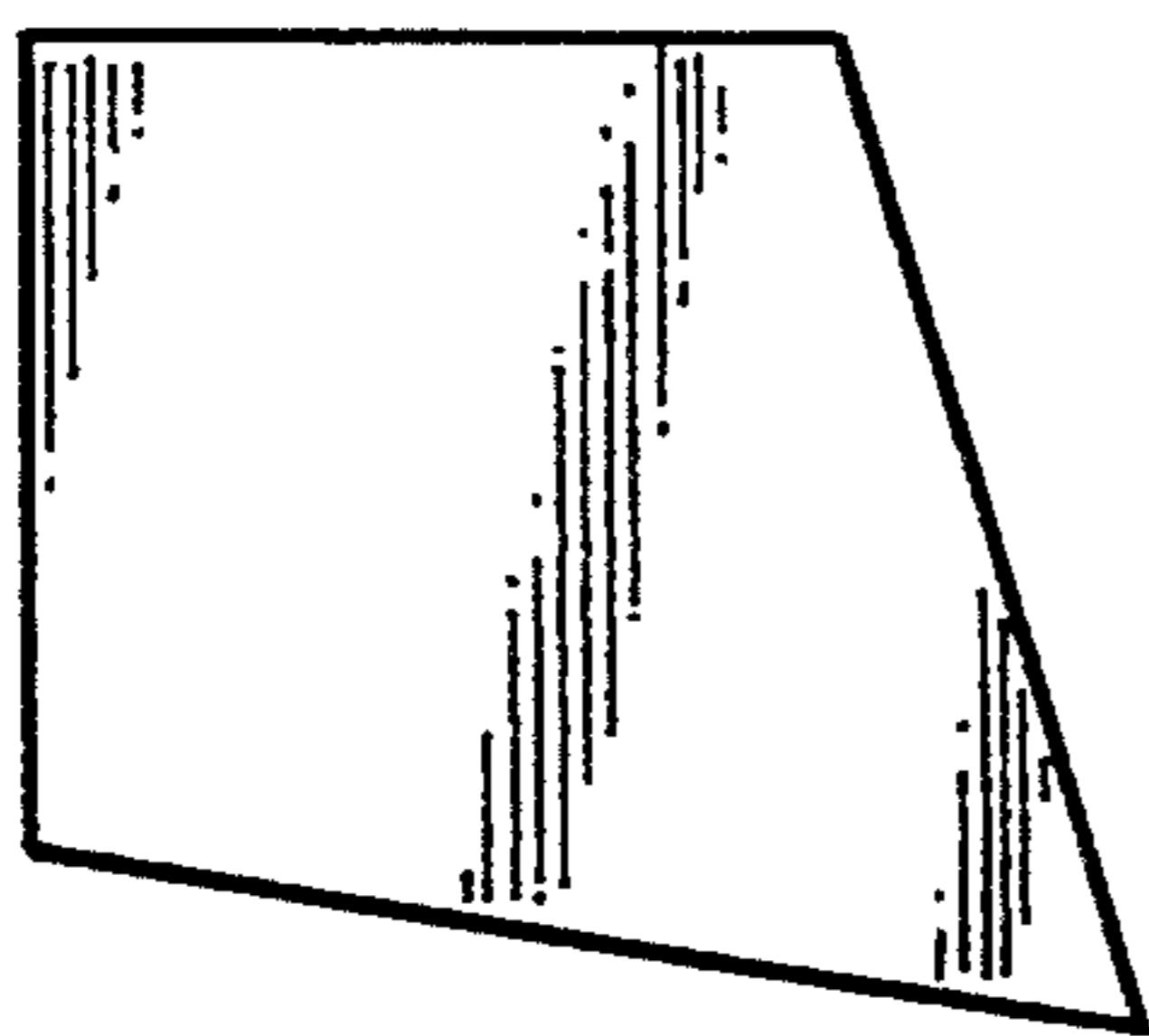


Fig. 3

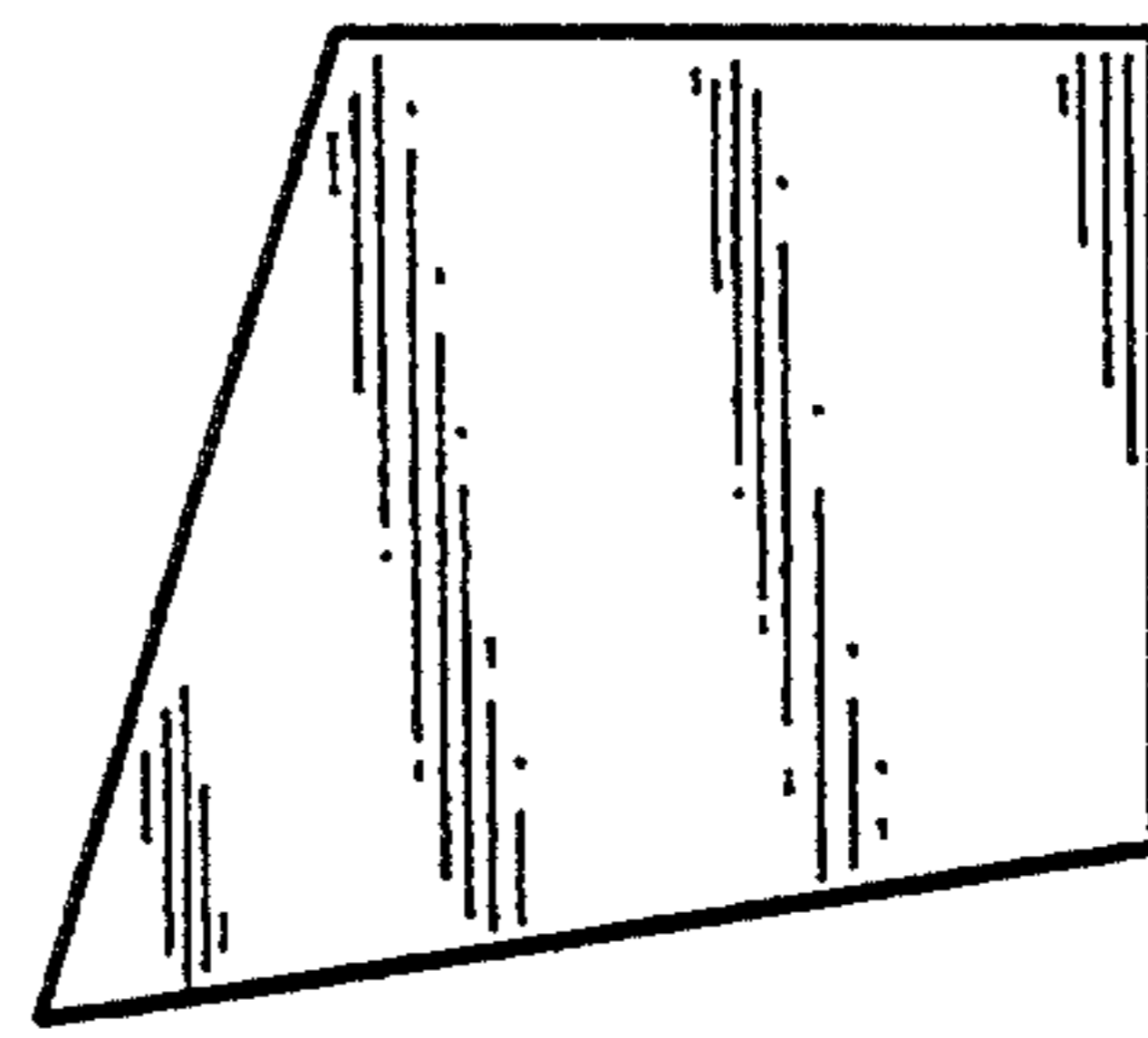


Fig. 4

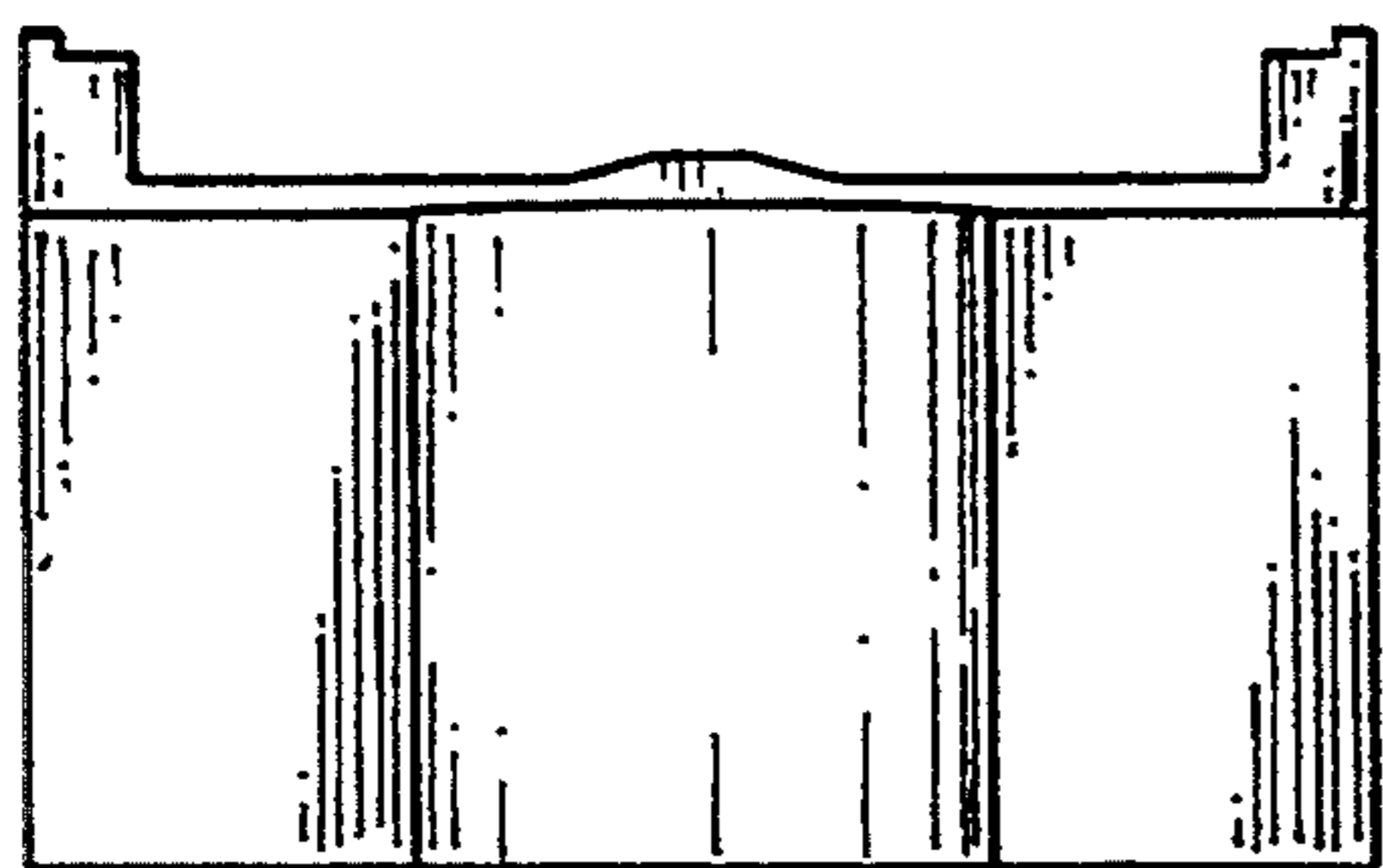


Fig. 5

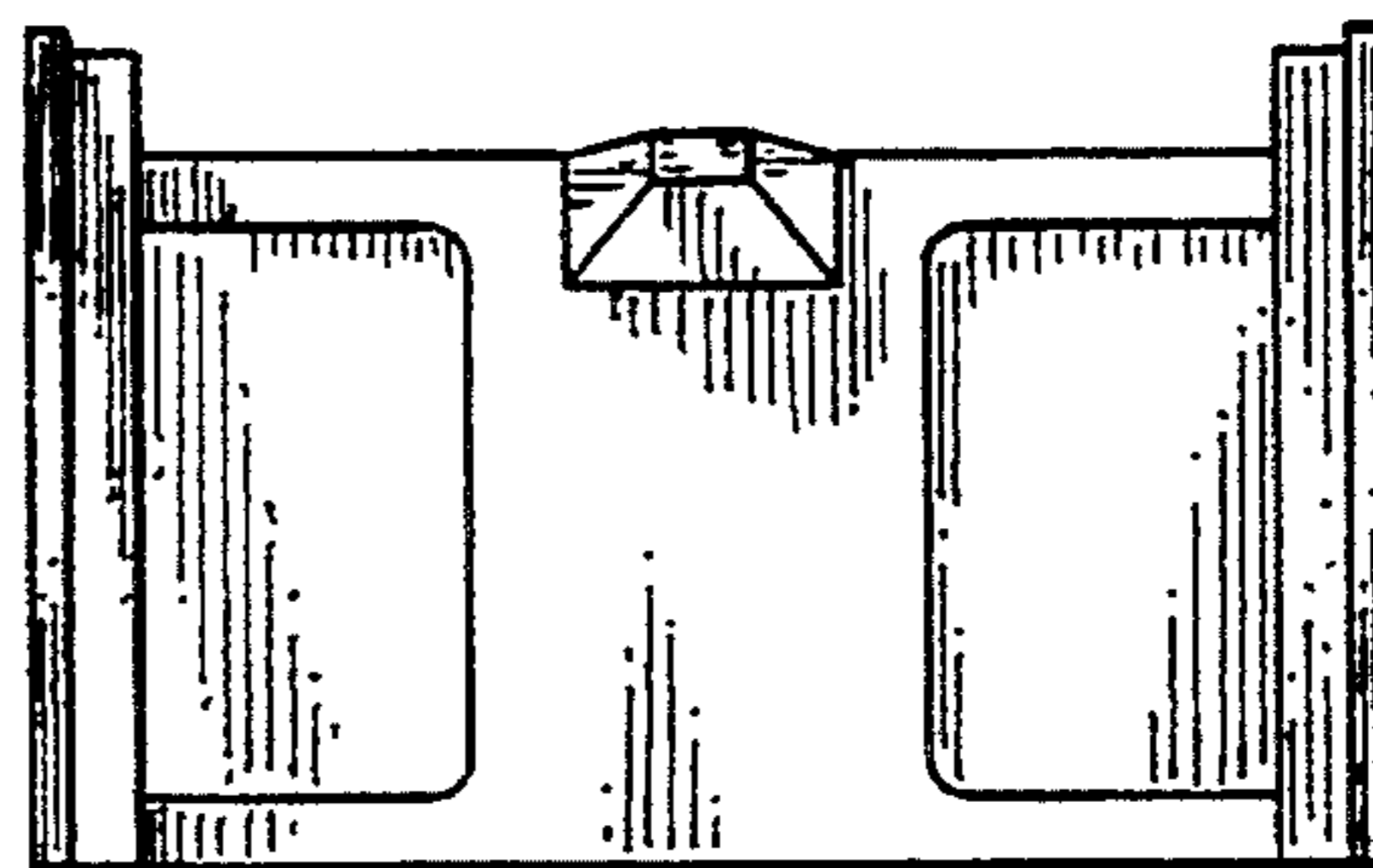


Fig. 6

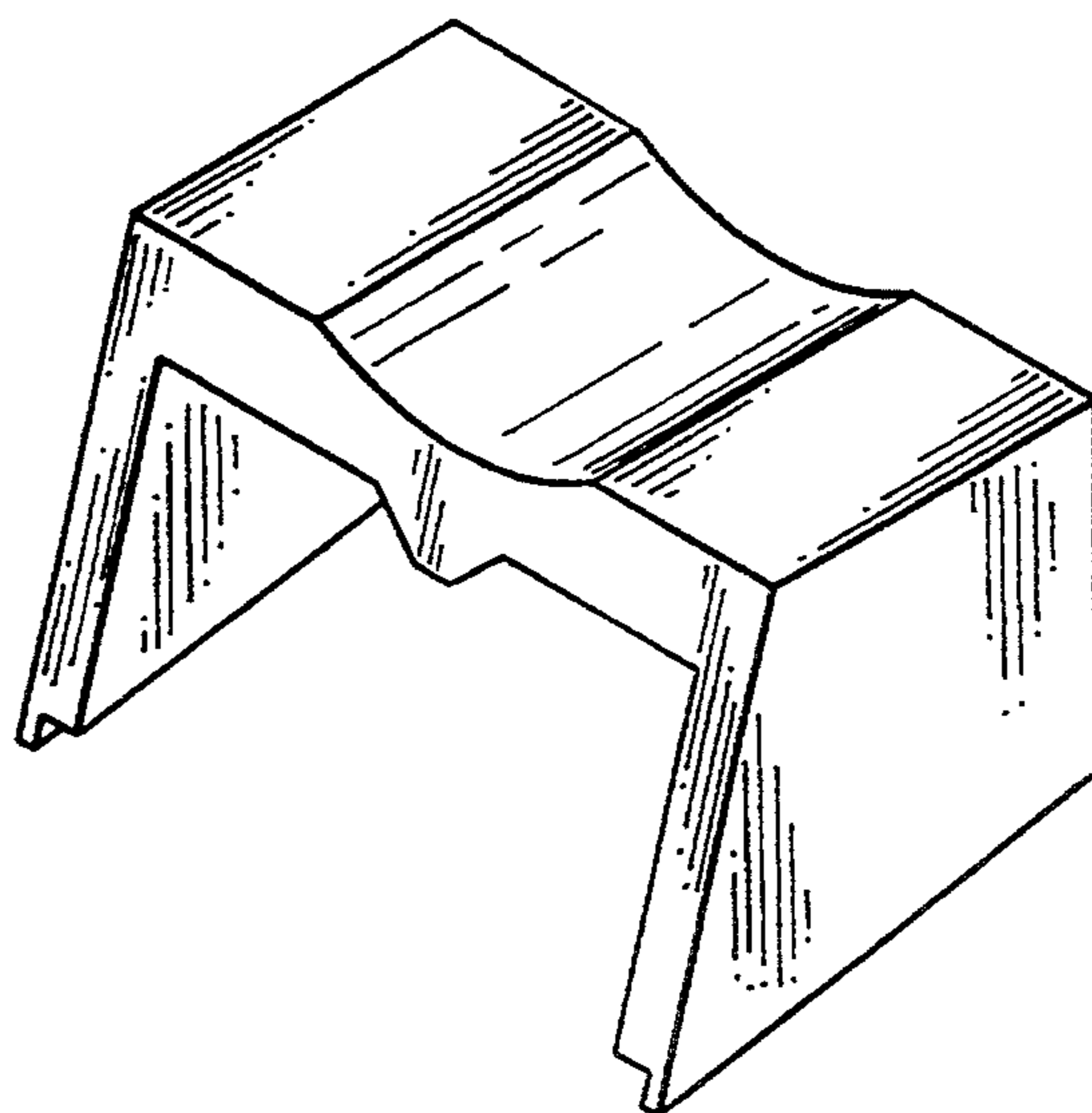


Fig. 7