



US00D360030S

# United States Patent [19]

[11] Patent Number: **Des. 360,030**

Michels et al.

[45] Date of Patent: **\*\* Jul. 4, 1995**

[54] **COMBINED FEEDING TUBE CONNECTOR AND RETAINING STRAP**

[75] Inventors: **Lester D. Michels**, Eden Prairie;  
**Douglas J. Duchon**, Chanhassen;  
**Norman D. Reid**, Minneapolis, all of  
Minn.

[73] Assignee: **Sandoz Nutrition Ltd.**, Basel,  
Switzerland

[\*\*] Term: **14 Years**

[21] Appl. No.: **19,889**

[22] Filed: **Mar. 11, 1994**

### Related U.S. Application Data

[62] Division of Ser. No. 828,398, Jan. 30, 1992, Pat. No.  
5,322,073.

[52] U.S. Cl. .... **D24/112; D24/128;**  
D24/129

[58] Field of Search ..... **D24/112, 108; 606/19.1;**  
128/869, 200.24, 876, 877, 778; 604/175, 174,  
178, 96, 284, 105, 256

[56] **References Cited**

### U.S. PATENT DOCUMENTS

4,668,225	5/1987	Russo et al. ....	D24/112 X
4,781,704	11/1988	Potter .....	604/105 X
5,057,093	10/1991	Clegg et al. ....	604/256 X
5,250,040	10/1993	Parks et al. ....	604/174 X

*Primary Examiner*—A. Hugo Word

*Assistant Examiner*—I. Simmons

*Attorney, Agent, or Firm*—Robert S. Honor; Carl W.  
Battle

[57] **CLAIM**

The ornamental design for a combined feeding tube connector and retaining strap, as shown and described.

### DESCRIPTION

FIG. 1 is a perspective view of a combined feeding tube connector and retaining strap;

FIG. 2 is a side view;

FIG. 3 is a front view;

FIG. 4 is a bottom view;

FIG. 5 is a top view;

FIG. 6 is a side view opposite that of FIG. 2; and,

FIG. 7 is a rear view opposite that of FIG. 3.

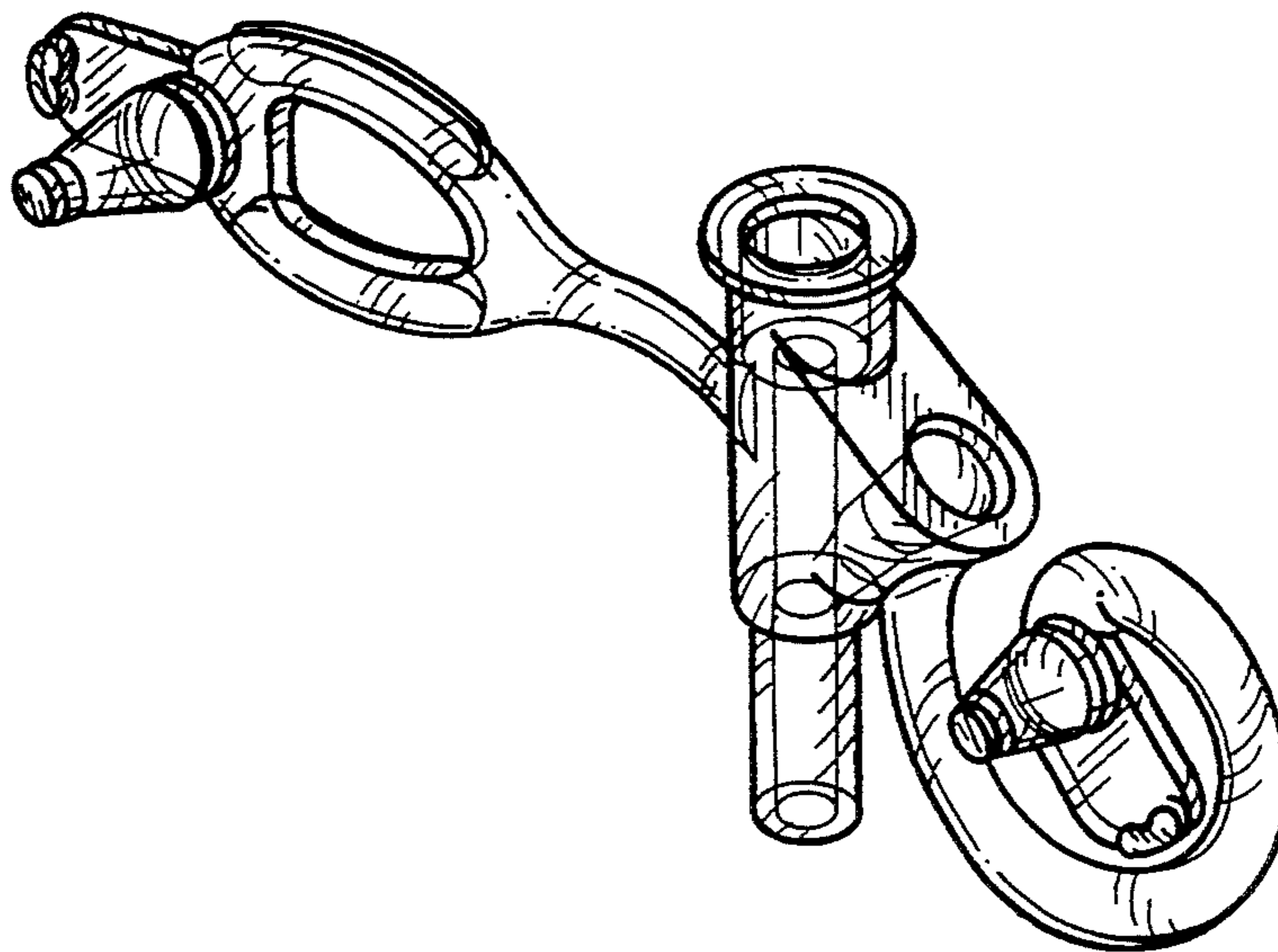


FIG-1

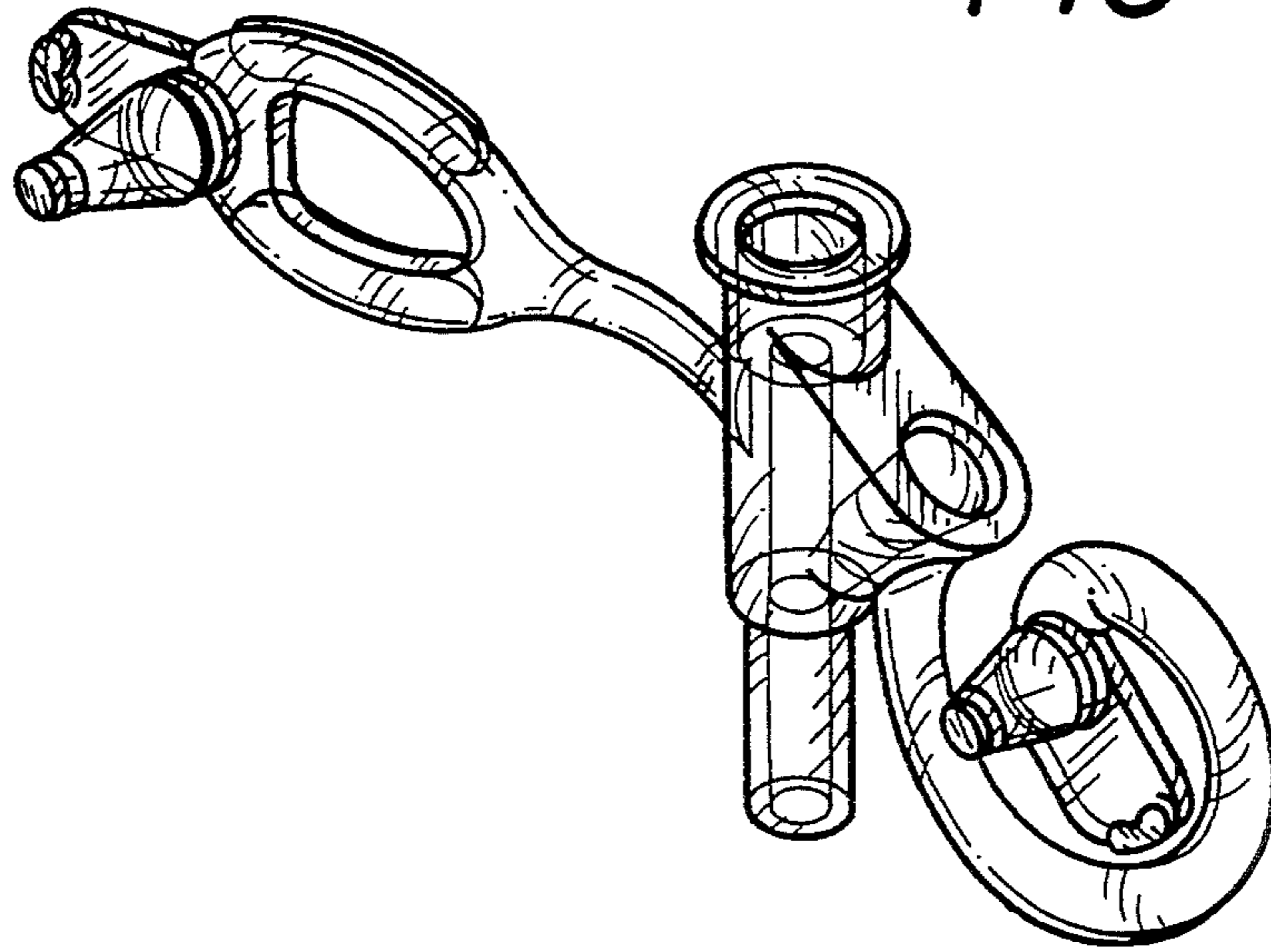


FIG-2

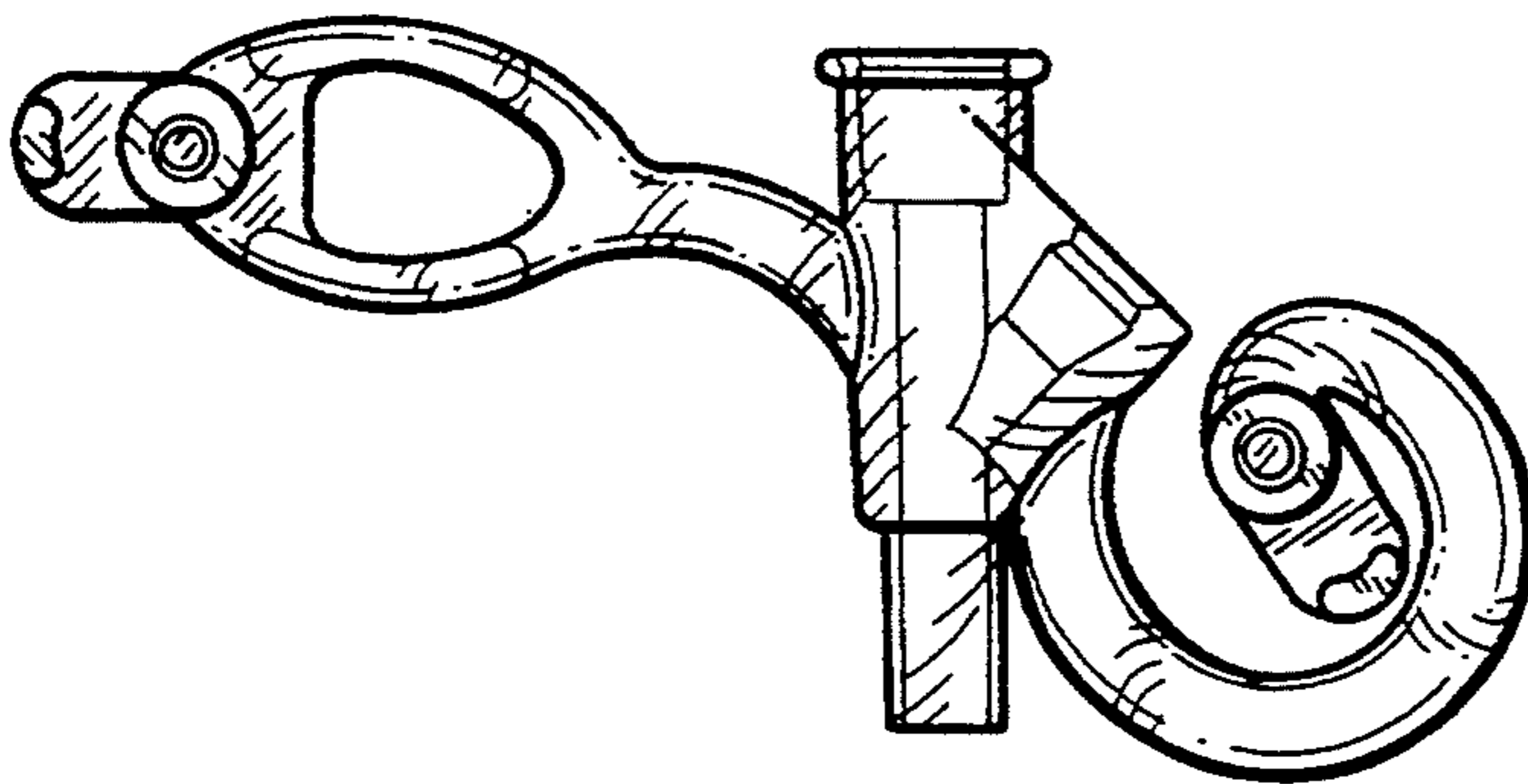


FIG-3

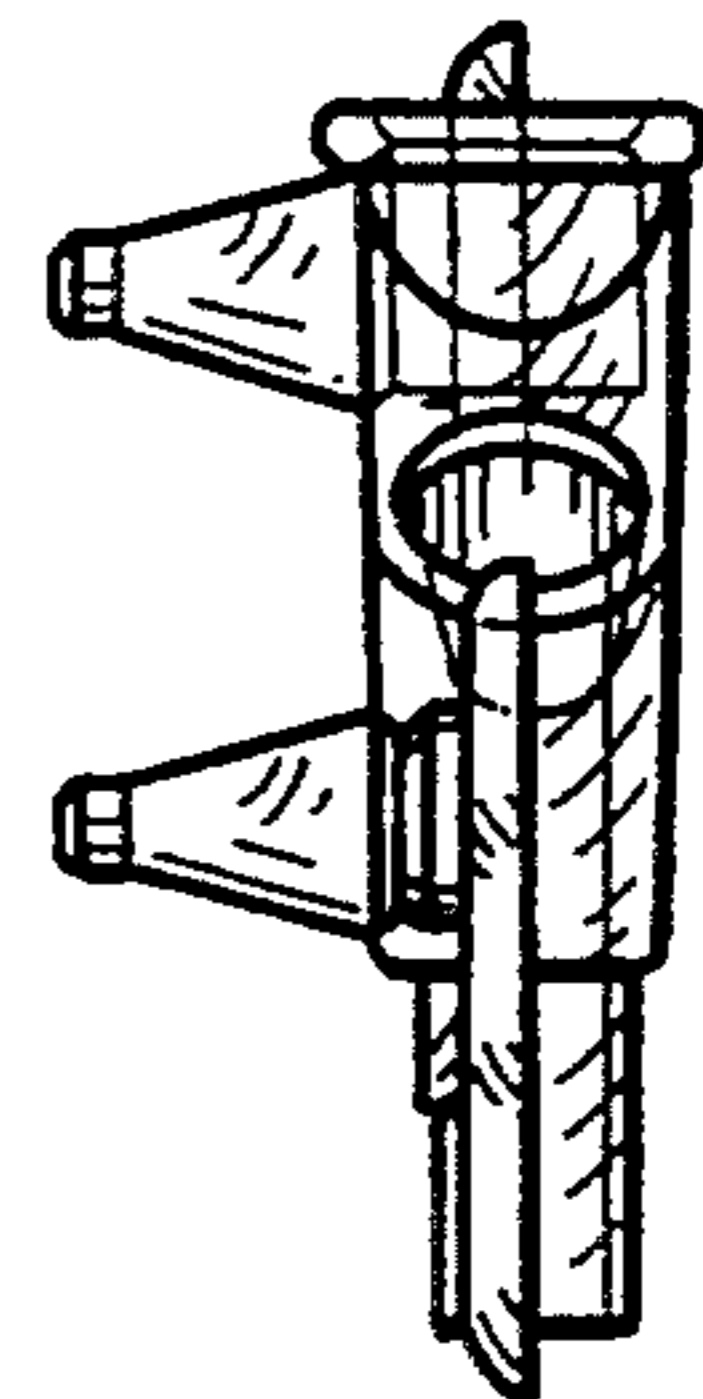
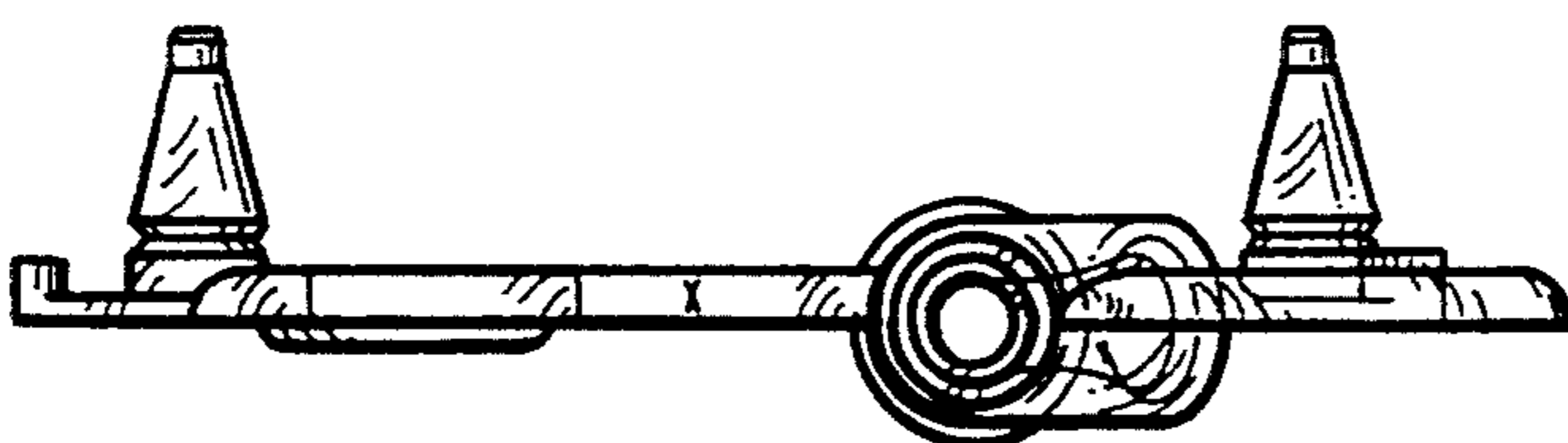
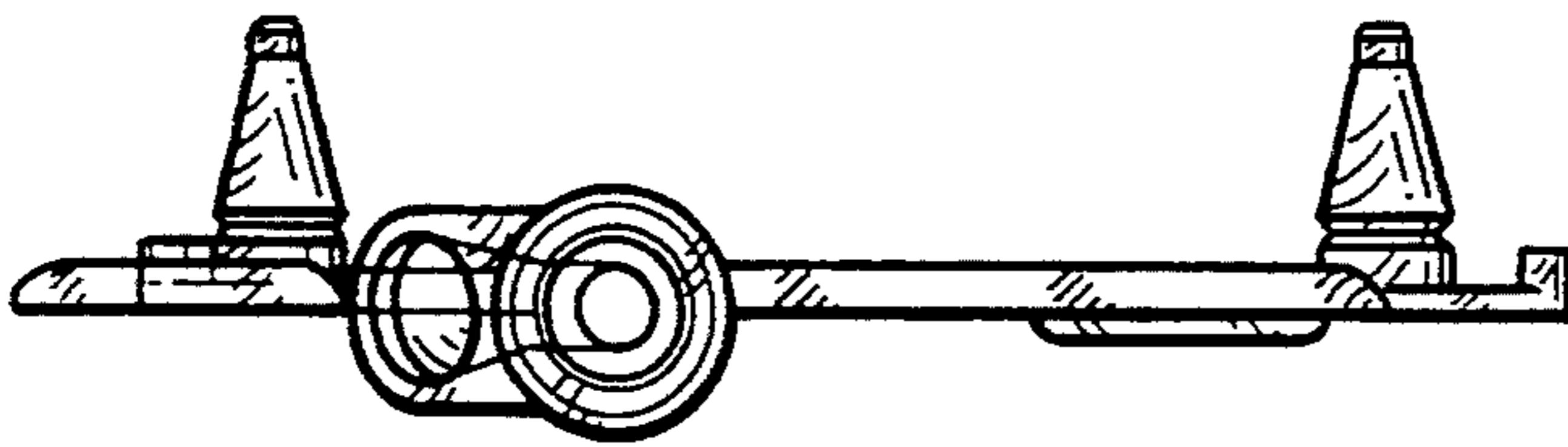


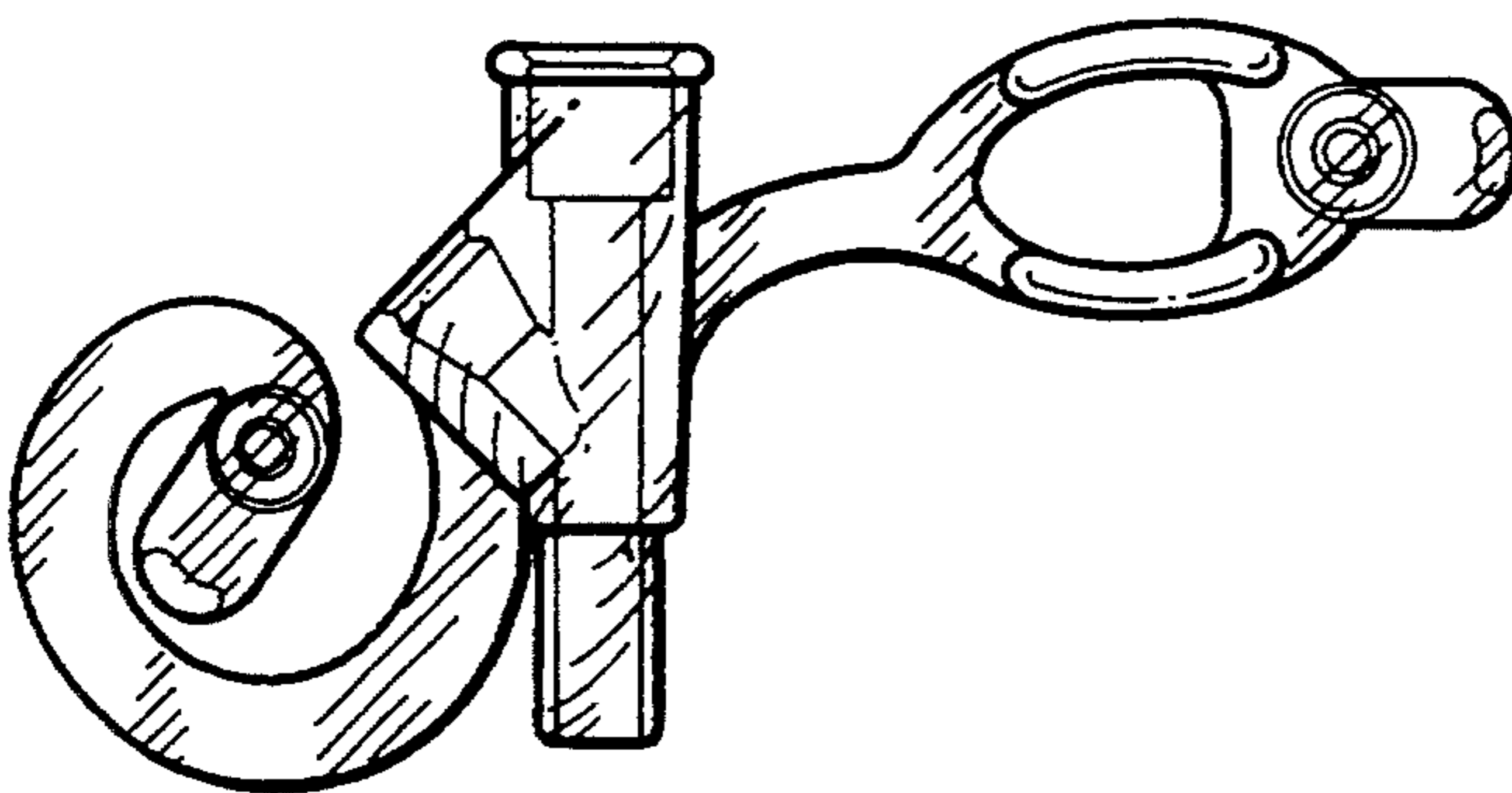
FIG-4



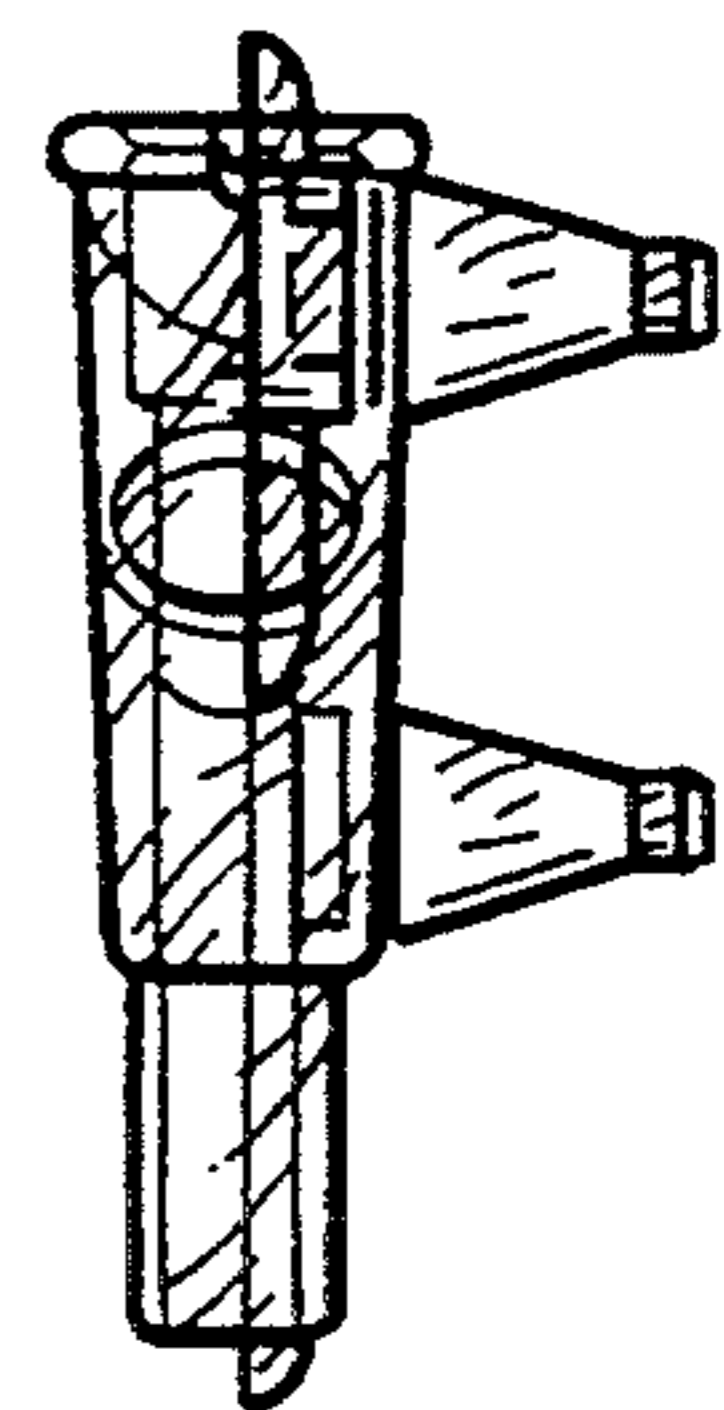
*FIG-5*



*FIG-6*



*FIG-7*



UNITED STATES PATENT AND TRADEMARK OFFICE  
**CERTIFICATE OF CORRECTION**

PATENT NO. : DES 360,030

DATED : July 4, 1995

INVENTOR(S) : Lester D. Michels, Douglas J. Duchon and Norman D. Reid

It is certified that error appears in the above-identified patent and that said Letters Patent is hereby corrected as shown below:

On the title page, item [73] Assignee's address is corrected as follows: --Sandoz Nutrition Ltd., Berne, Switzerland--

Signed and Sealed this  
Twelfth Day of March, 1996



BRUCE LEHMAN

*Commissioner of Patents and Trademarks*

*Attest:*

*Attesting Officer*