



US00D360025S

United States Patent [19]

[11] Patent Number: **Des. 360,025**

Smith

[45] Date of Patent: **** Jul. 4, 1995**

[54] **BATHTUB SEAT FOR HANDICAPPED AND ELDERLY PERSONS**

4,391,006	7/1983	Smith	4/571.1 X
5,097,542	3/1992	Roesler	4/579
5,263,207	11/1993	Gilbert	4/562.1

[76] Inventor: **Lee A. Smith**, 3901 Foxcroft Rd., Charlotte, N.C. 28211

Primary Examiner—Louis S. Zarfaz
Assistant Examiner—Eric Watterson

[**] Term: **14 Years**

[57] **CLAIM**

[21] Appl. No.: **26,391**

The ornamental design for a bathtub seat for handicapped and elderly persons, as shown.

[22] Filed: **Jul. 25, 1994**

DESCRIPTION

[52] U.S. Cl. **D23/304**

[58] Field of Search D23/303, 304; 4/565.1, 4/538, 596-618; D6/334, 356, 357, 381, 374, 375; D12/52

FIG. 1 is a left front perspective view of a bathtub seat for handicapped and elderly persons embodying my new design;

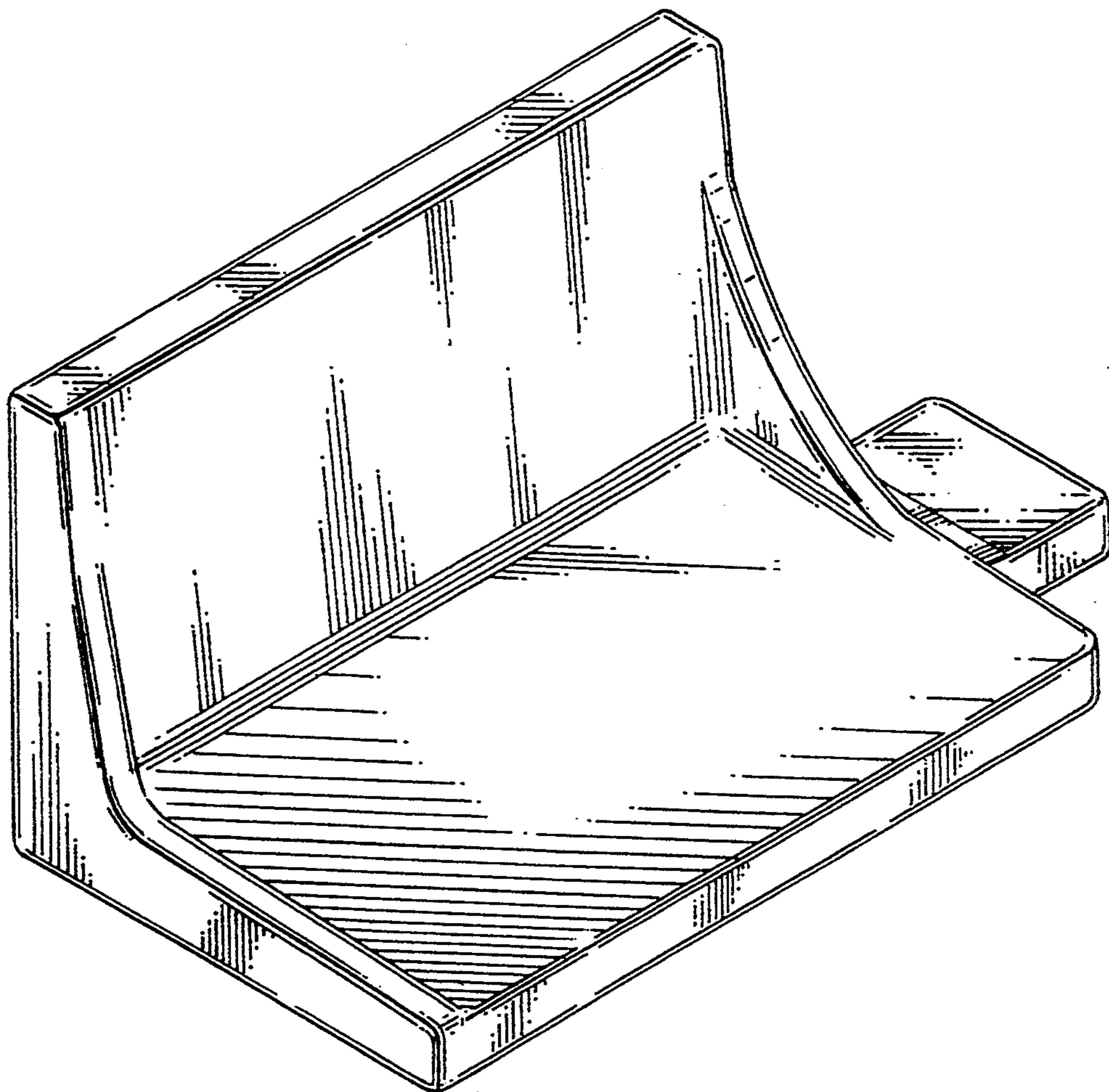
FIG. 2 is a right front perspective view thereof; FIG. 3 is a left rear perspective view thereof; and, FIG. 4 is a right rear perspective view thereof.

The bottom of my design, not shown, is plain and unornamented.

[56] **References Cited**

U.S. PATENT DOCUMENTS

D. 228,483 10/1973 Sebel D6/375



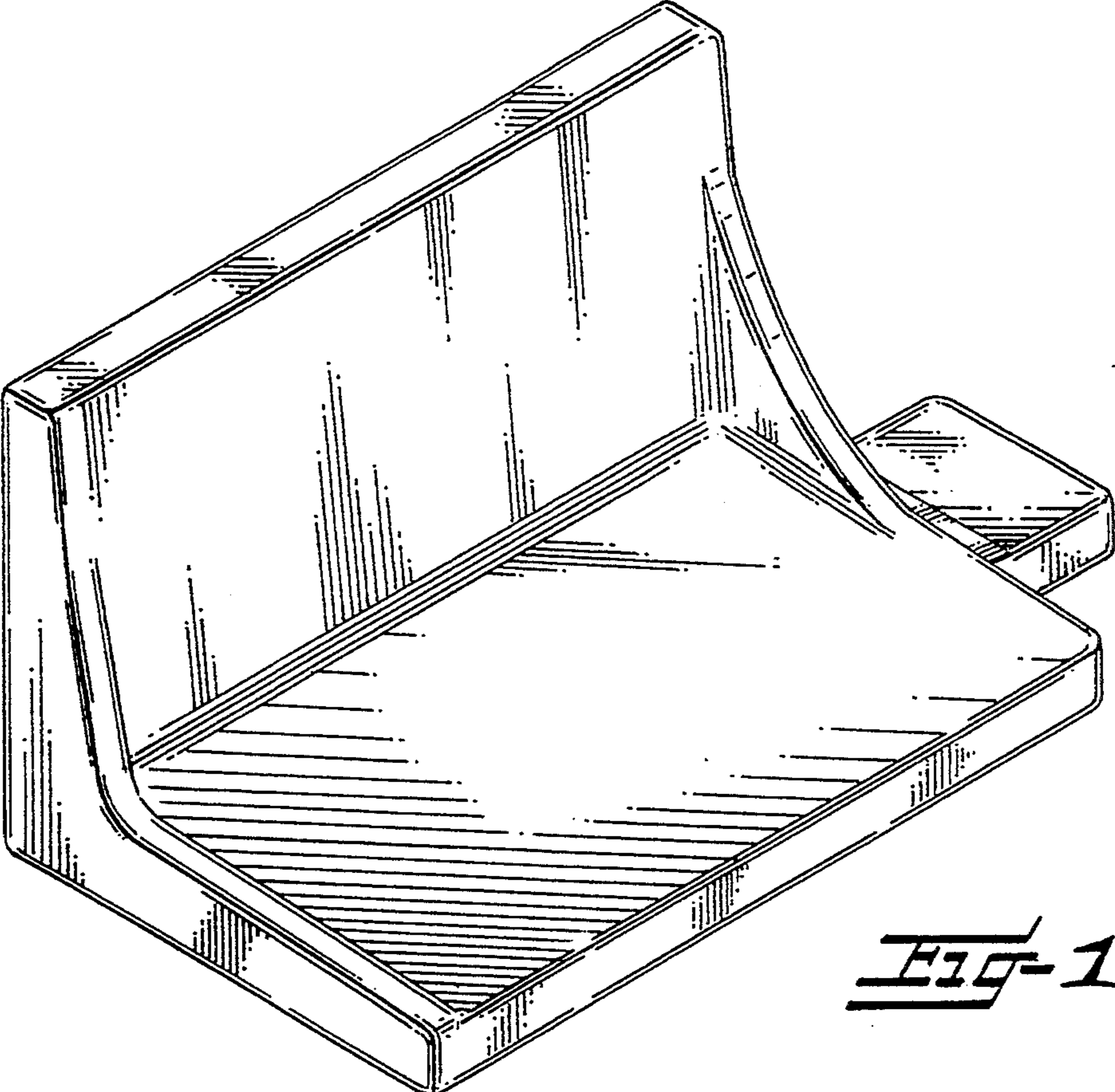


FIG-1

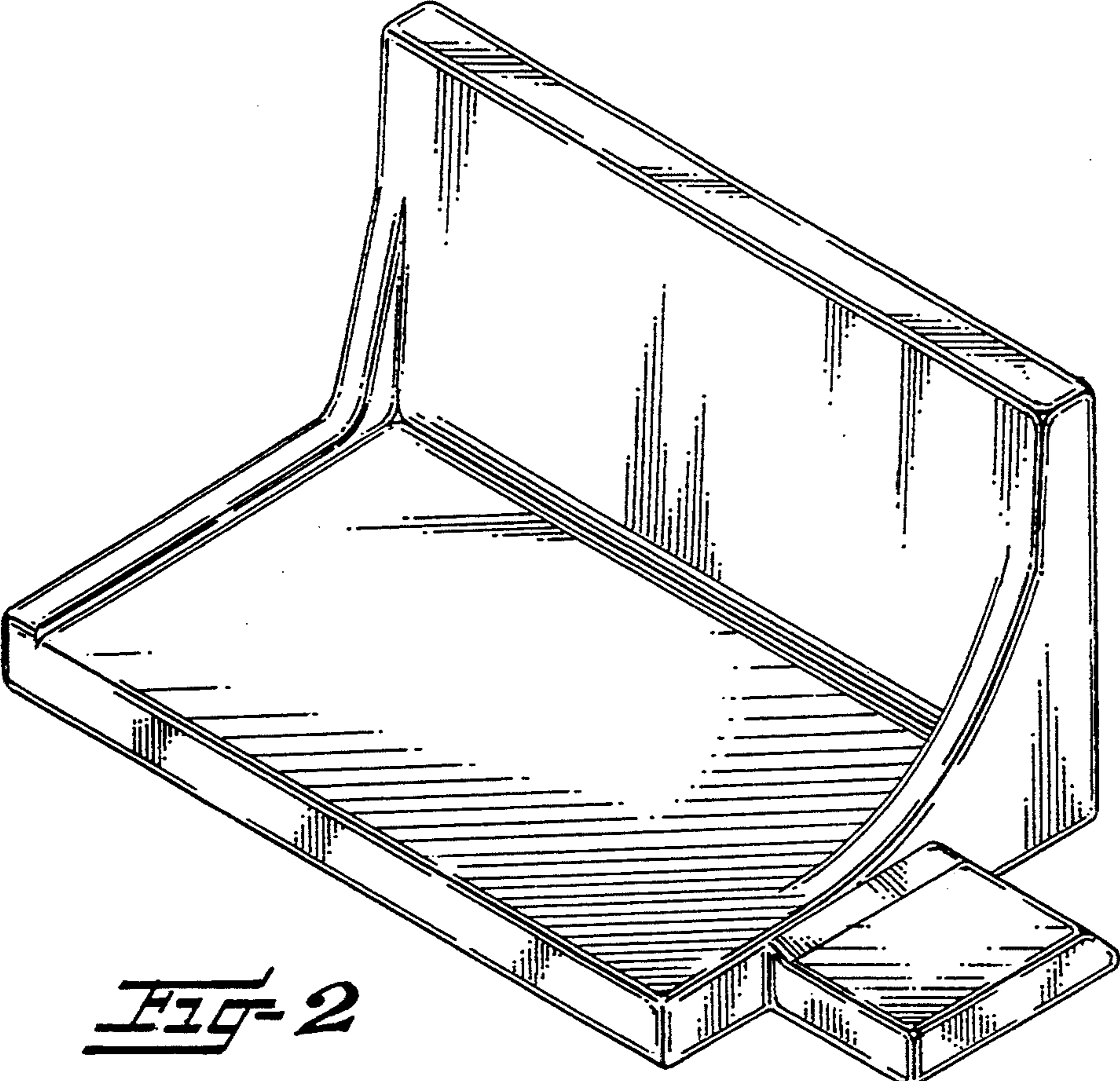


FIG-2

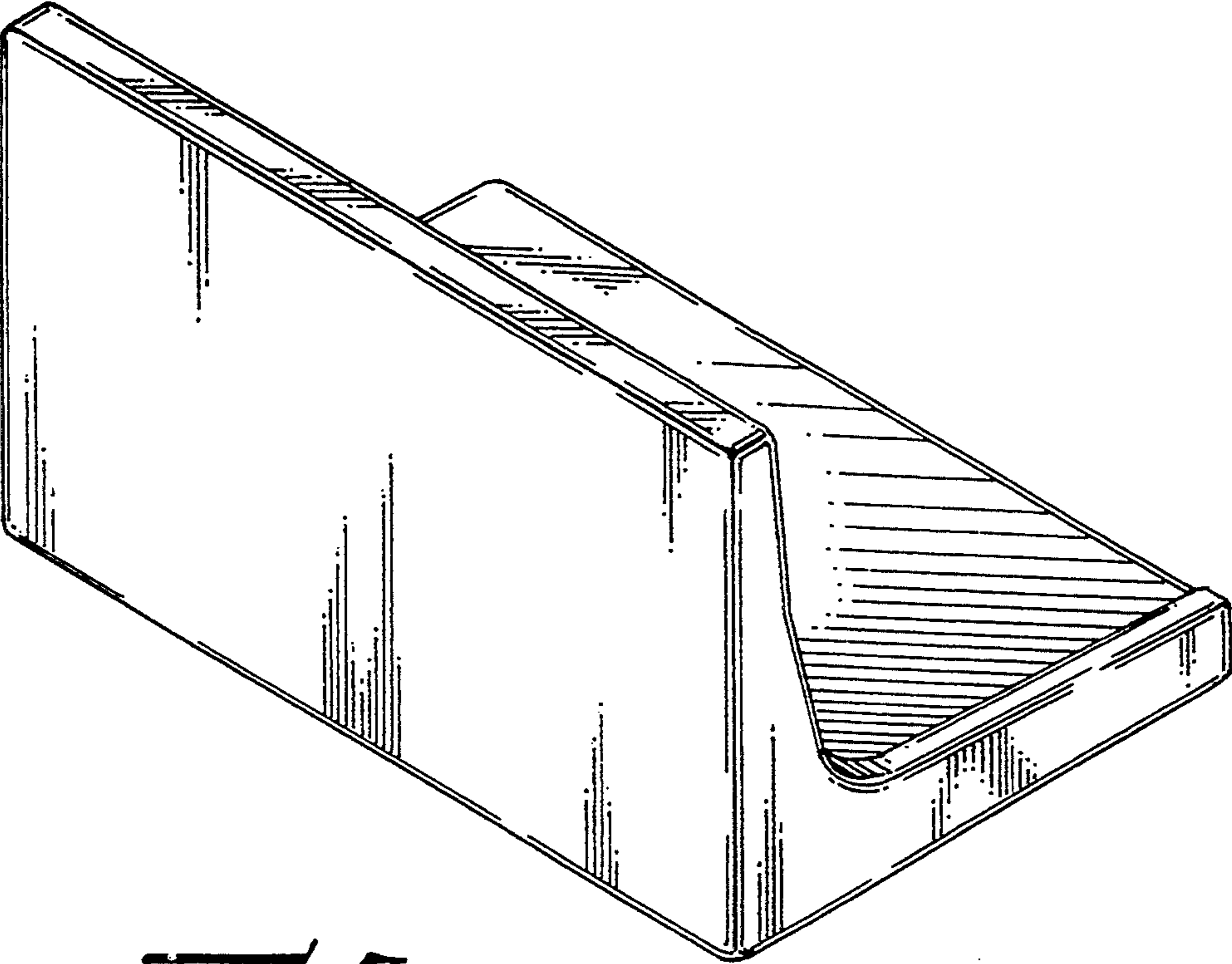


FIG-3

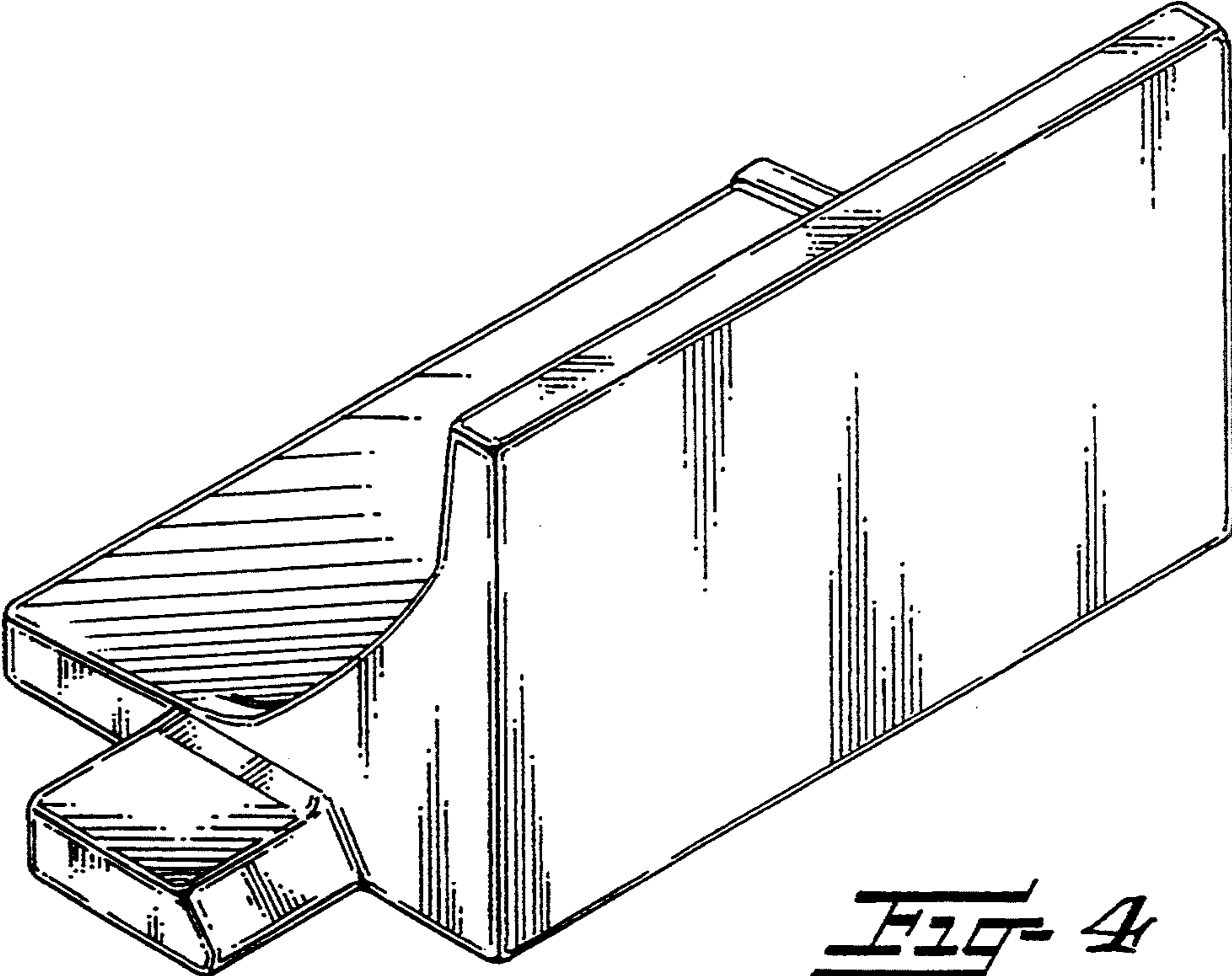


FIG-4