



US00D360023S

United States Patent [19]

[11] Patent Number: **Des. 360,023**

Hunger et al.

[45] Date of Patent: **** Jul. 4, 1995**

[54] **SHOWER SEAT PANEL**

[75] Inventors: **Darrell A. Hunger**, Berkeley; **Ralph D'Innocente**, Benecia; **Jim R. Pauls**, Concord; **Roy A. Jacuzzui**, Orinda; **Philip J. Weeks**, San Ramon; **G. David Johnson**, Danville, all of Calif.

[73] Assignee: **Jacuzzi, Inc.**, Walnut Creek, Calif.

[**] Term: **14 Years**

[21] Appl. No.: **21,045**

[22] Filed: **Apr. 8, 1994**

[52] U.S. Cl. **D23/304**

[58] Field of Search **D23/303, 304; 4/565.1, 4/571.1, 573.1, 577.1, 579, 584, 592, 562.1, 574.1, 578.1, 611, 572.1, 590**

[56] **References Cited**

U.S. PATENT DOCUMENTS

D. 190,624	6/1961	Morrison	D23/304
D. 192,955	6/1962	Moore	D23/304
D. 209,887	1/1968	Berry	D24/203
D. 226,873	5/1973	Mathis	D24/202
D. 253,672	12/1979	Baus	D23/305
D. 333,700	3/1993	Barrett, Sr.	D23/303
3,007,178	11/1961	Altman et al.	4/525

3,422,466	1/1969	Banoczi	4/577.1
4,153,954	5/1979	Jacuzzi et al.	4/541.4
4,365,368	12/1982	Boggs	4/524 X
4,424,598	1/1984	Cima	4/524
4,858,257	8/1989	Bivens	4/596
5,228,151	1/1993	Livingston-Capoano	4/571.1 X

OTHER PUBLICATIONS

Jacuzzi "The J-Dream Family" 1993.

Primary Examiner—A. Hugo Word

Assistant Examiner—Eric M. Watterson

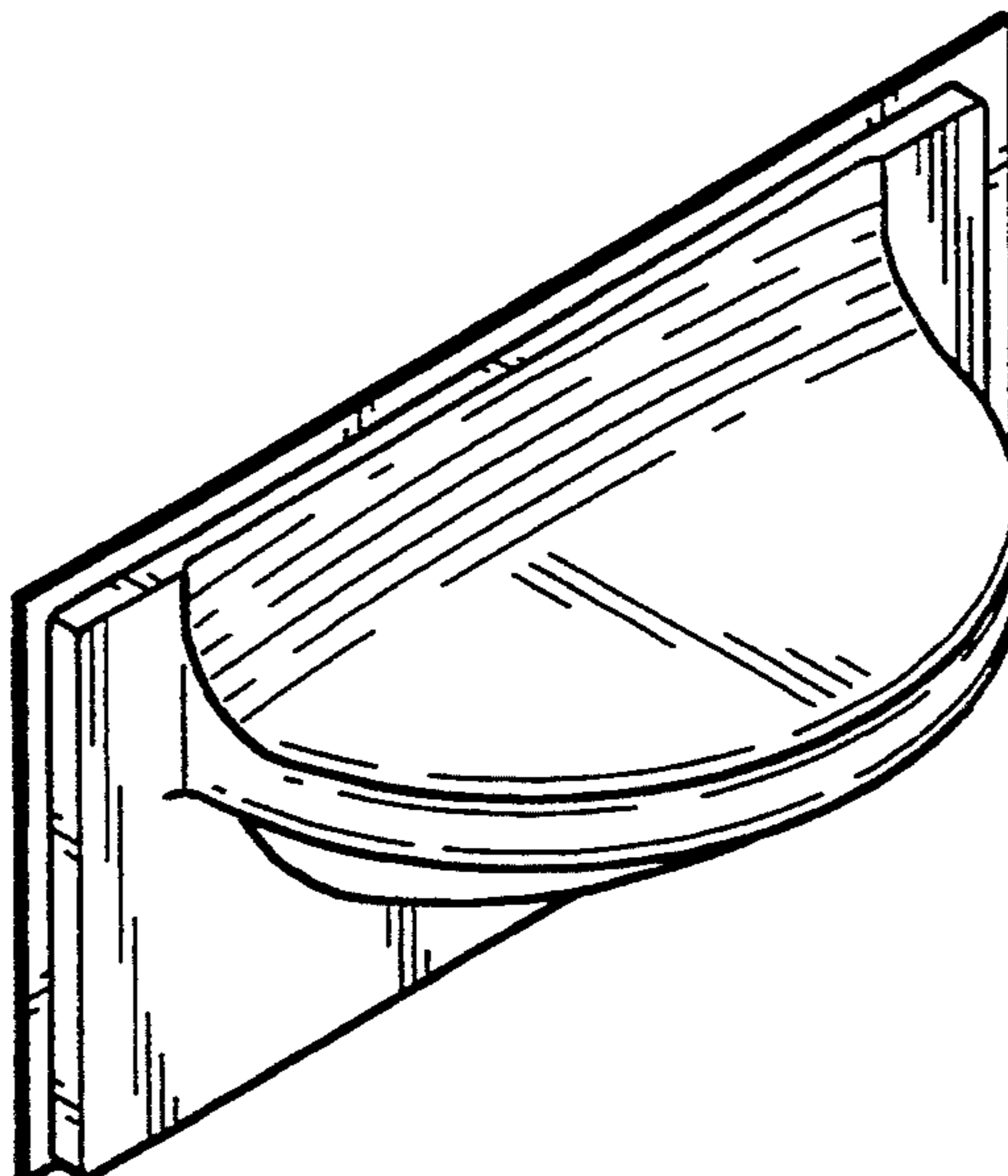
Attorney, Agent, or Firm—Limbach & Limbach

[57] **CLAIM**

The ornamental design for a shower seat panel, as shown and described.

DESCRIPTION

FIG. 1 is a perspective view taken from the top front left side of a shower seat panel showing our new design; FIG. 2 is a front elevational view thereof; FIG. 3 is a cross-sectional view, taken on line 3—3 of FIG. 2; FIG. 4 is a side elevational view thereof taken from the right side of FIG. 2; FIG. 5 is a bottom plan view thereof; and, FIG. 6 is a top plan view thereof. The rear view being intaglio with the front.



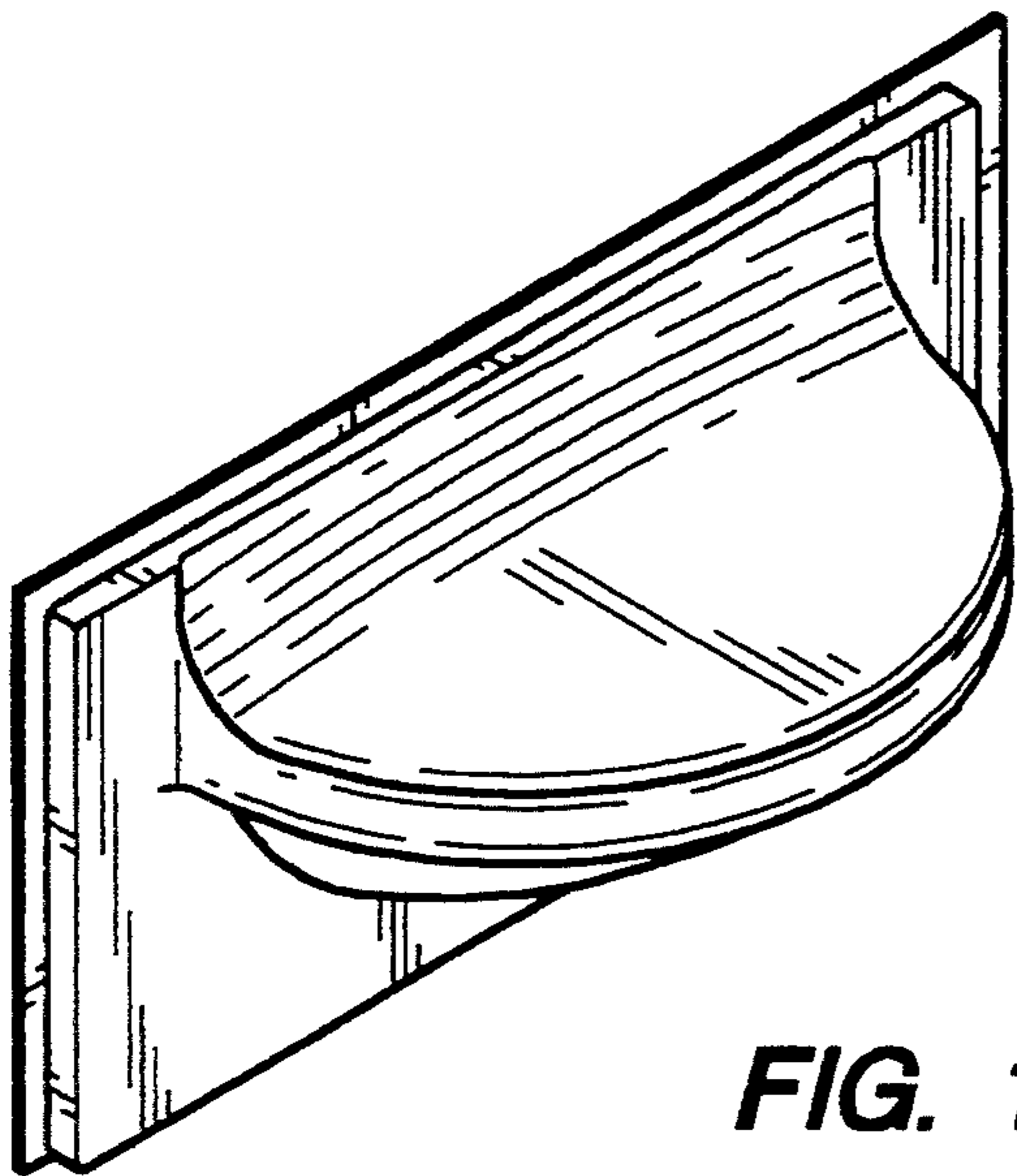


FIG. 1

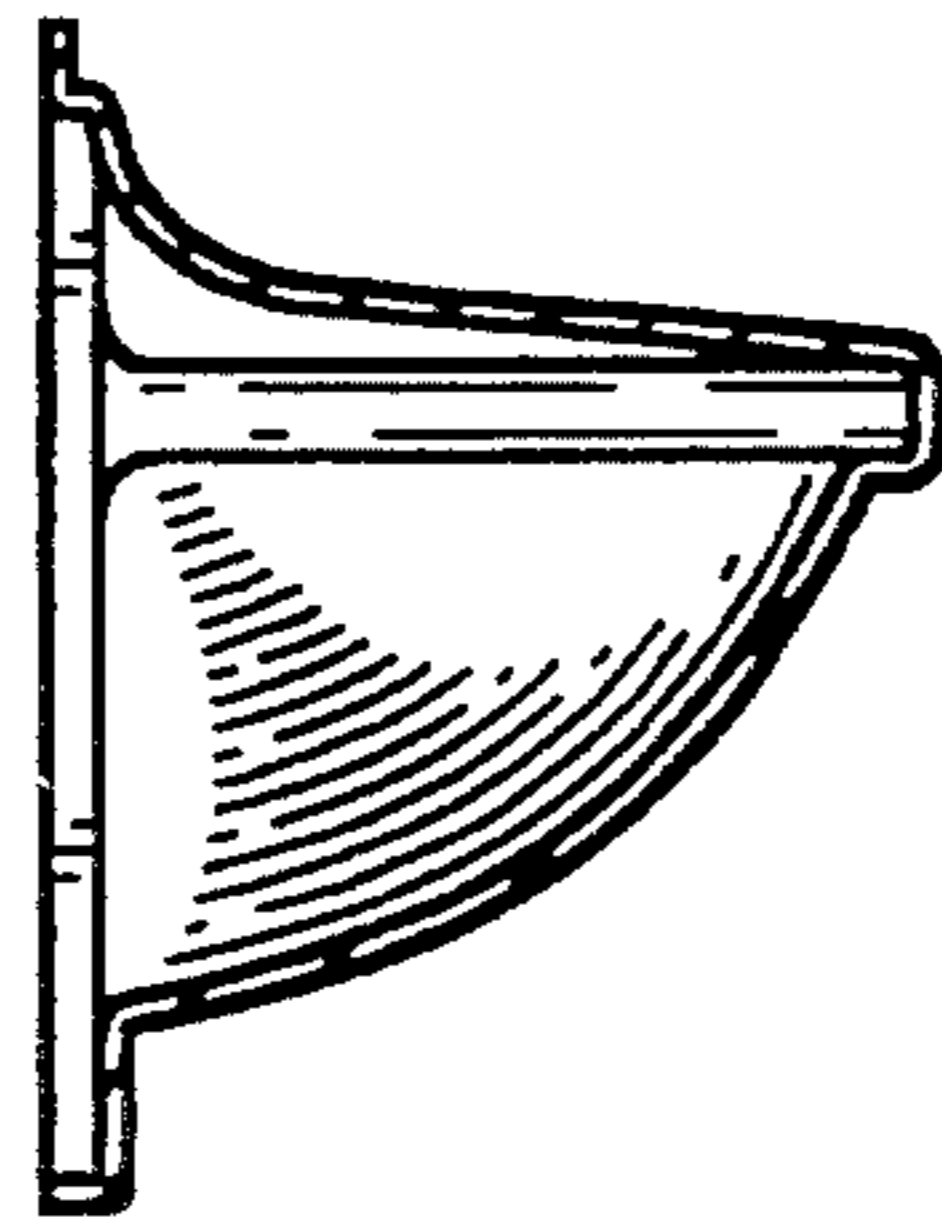


FIG. 3

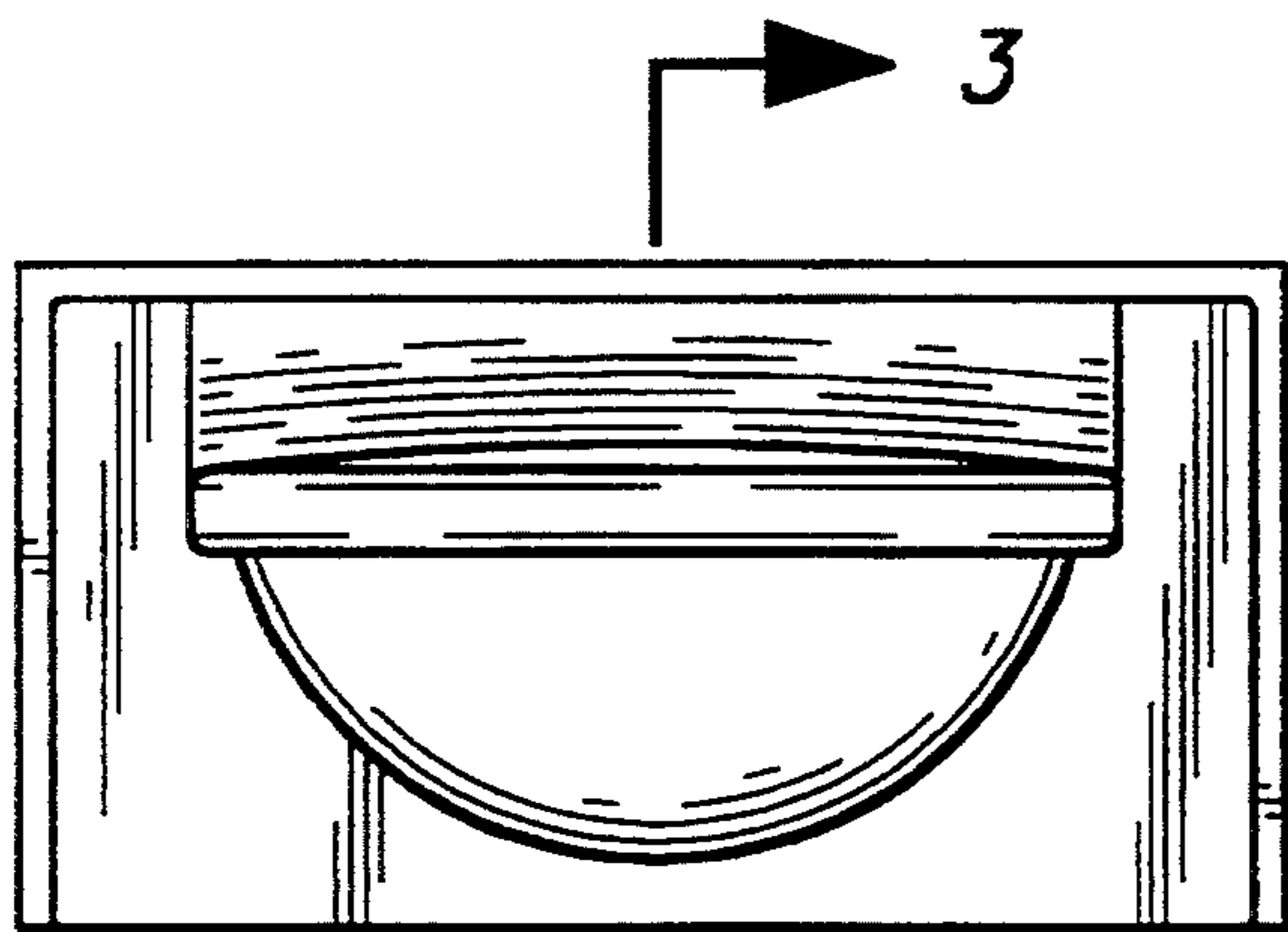


FIG. 2

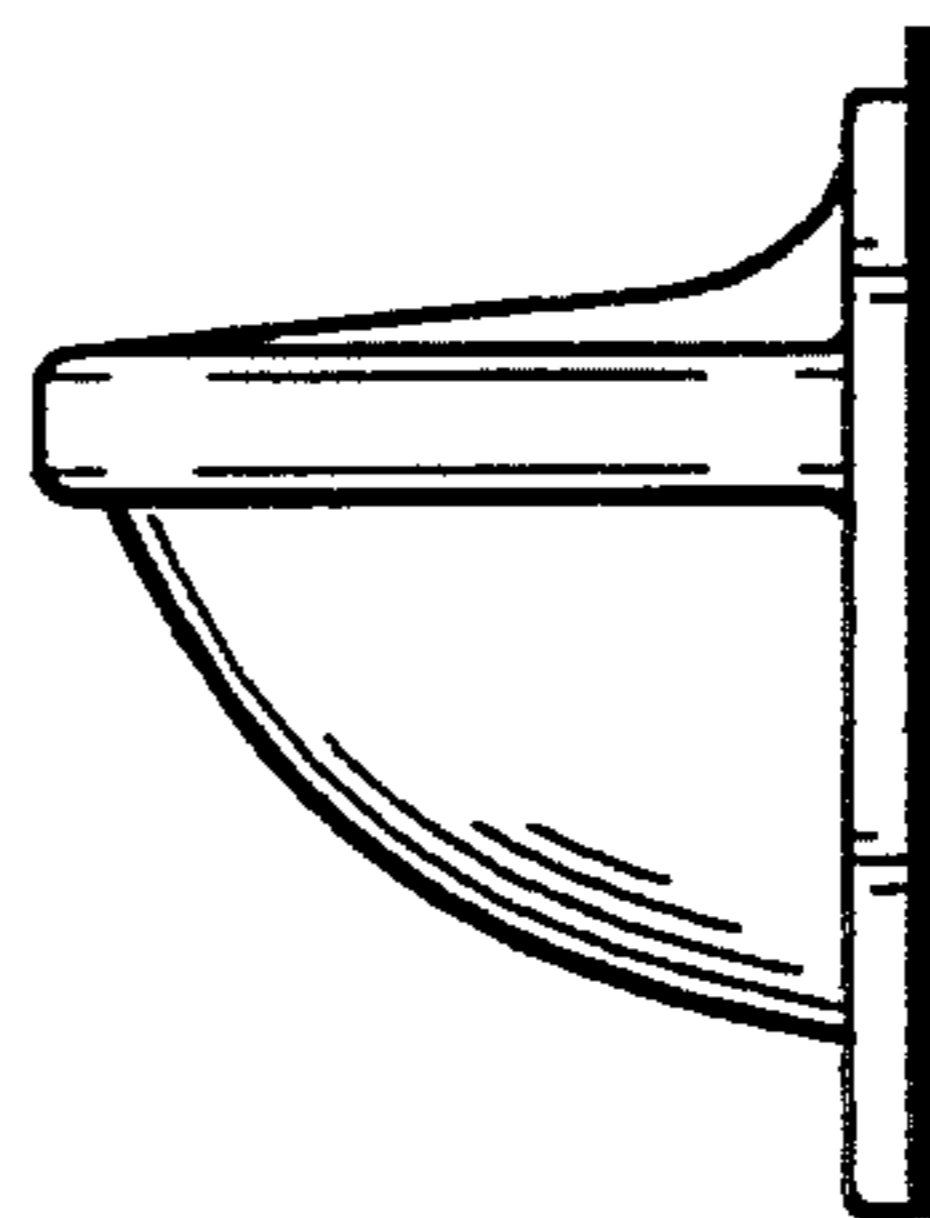


FIG. 4

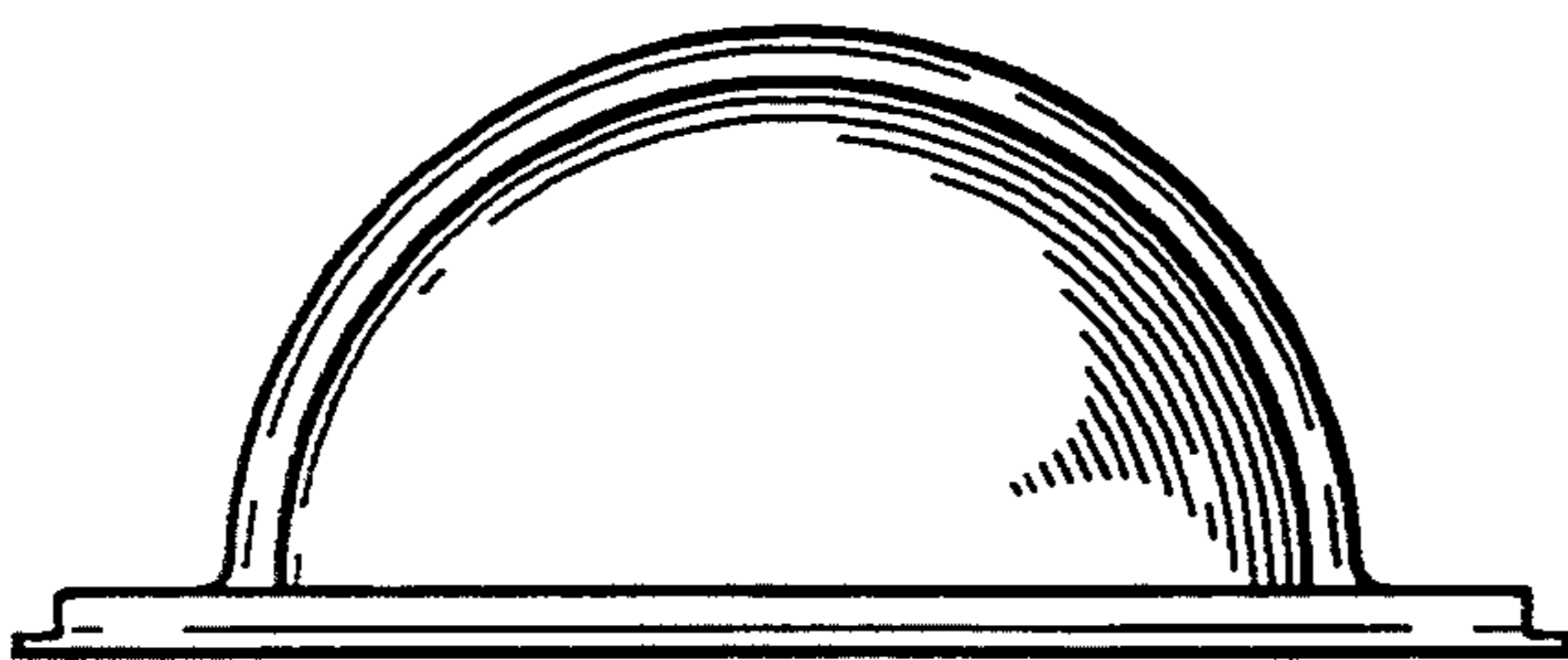


FIG. 5

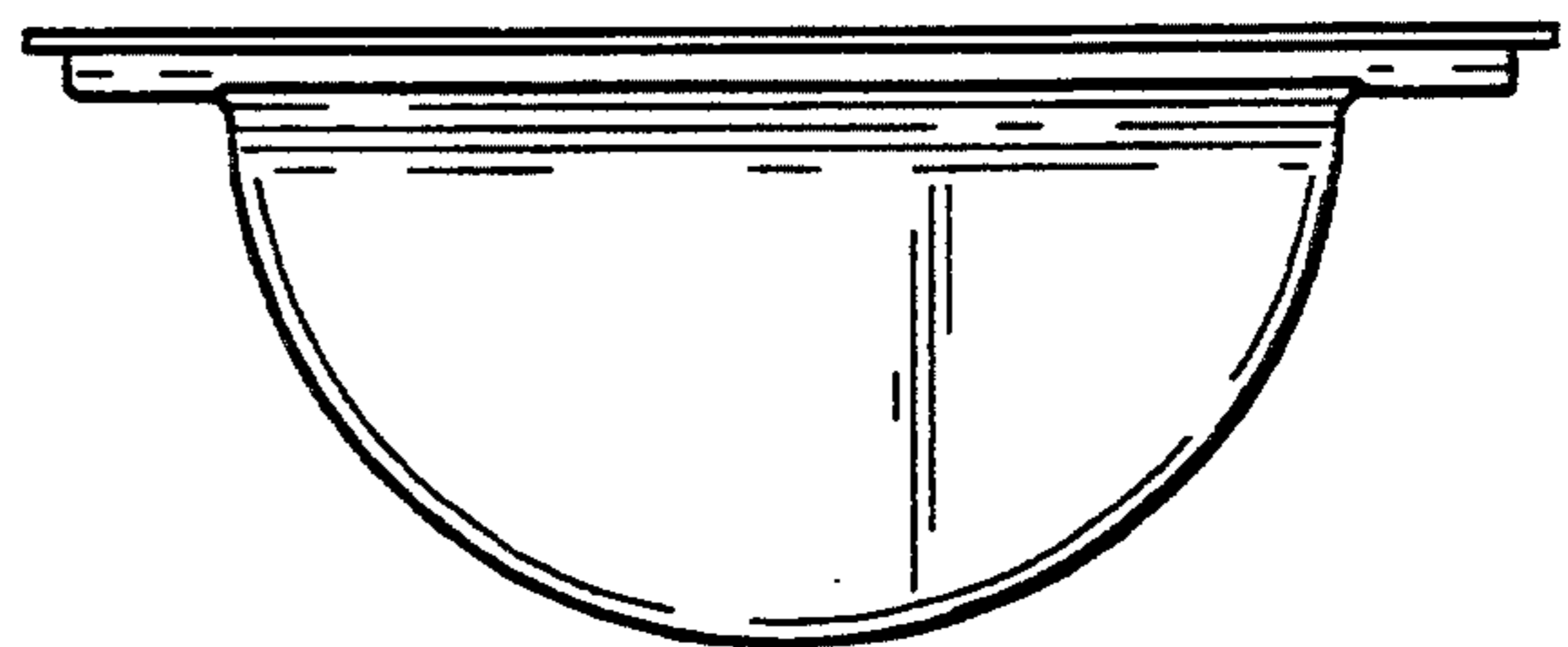


FIG. 6