



US00D360020S

United States Patent [19]

[11] Patent Number: Des. 360,020

Sondén et al.

[45] Date of Patent: ** Jul. 4, 1995

[54] CIRCULAR SLEEVE COUPLING

[75] Inventors: Carl-Gustaf Sondén, Ängelholm;
Kenneth Lennartsson, Torekov, both
of Sweden

[73] Assignee: Lindab AB, Bastad, Sweden

[**] Term: 14 Years

[21] Appl. No.: 6,945

[22] Filed: Apr. 9, 1993

[30] Foreign Application Priority Data

Mar. 1, 1993 [DK] Denmark 0225 93

[52] U.S. Cl. D23/262

[58] Field of Search D23/262, 263, 264, 265;
285/424; 138/109; 277/207 A; 16/2, 108, 109

[56] References Cited

U.S. PATENT DOCUMENTS

193,847	8/1877	Choate	285/183
210,367	11/1878	Stern et al.	285/183
244,720	7/1881	Hildebrand	285/183
409,631	8/1889	Cooper	285/183
735,644	9/1903	Wirtz	285/424
904,199	11/1908	Harris	.
910,119	1/1909	Dunn	285/183
997,072	7/1911	Mares	.
1,083,002	12/1913	Charles	285/424
2,392,220	1/1946	Bruhn et al.	285/211
2,482,558	9/1949	Scaringella	285/183
2,535,186	12/1950	Anderson	285/424 X
2,823,703	2/1958	Nusser, Jr.	285/183
3,111,922	11/1963	Hock	285/182
3,290,066	12/1966	Primich et al.	285/183
3,327,945	6/1967	Pfister	285/424 X
3,368,830	2/1968	French	277/207 A
4,007,941	2/1977	Staucati	277/207 A
4,050,703	9/1977	Tuvesson et al.	277/207
4,288,111	9/1981	Feutz	285/183

FOREIGN PATENT DOCUMENTS

363743	8/1981	Austria	.
13987	7/1973	Sweden	.
19819	6/1975	Sweden	.
17788	12/1975	Sweden	.
382675	2/1976	Sweden	.
25473	3/1979	Sweden	.

25610	8/1979	Sweden	.
26059	11/1979	Sweden	.
26995	11/1979	Sweden	.
840944	9/1984	Sweden	.
880780	3/1988	Sweden	.
317678	8/1929	United Kingdom	.
442751	2/1936	United Kingdom	.
1403744	3/1975	United Kingdom 285/183
1429220	8/1976	United Kingdom 285/183
2149040	6/1985	United Kingdom	.

OTHER PUBLICATIONS

Pipes by Solplast AB disclosed in a catalogue entitled "Svensk Byggkatalog Arp-87", issued by Svensk Byggtjänst in 1987.

Product NPU disclosed in a catalogue entitled "Ventilation -88", issued by Lindab AB in 1988.

Product ESIU disclosed in a catalogue entitled "Ventilation -88", issued by Lindab AB in 1988.

Product IK disclosed in a catalogue entitled "Ventilation -88", issued by Lindab AB in 1988.

General drawings No. J299102, produced by the Swedish company Flakt and dated Nov. 19, 1981 (811119).

Catalogue entitled "Kanalsystem VELODUCT", issued by Flakt in 1982.

Product Catalog entitled "Ducts and Fittings," issued by Lindab AB, Caswell Road, Brackmills Industrial

(List continued on next page.)

Primary Examiner—Stella Reid

Assistant Examiner—Eric Watterson

Attorney, Agent, or Firm—Weingarten, Schurgin, Gagnebin & Hayes

[57] CLAIM

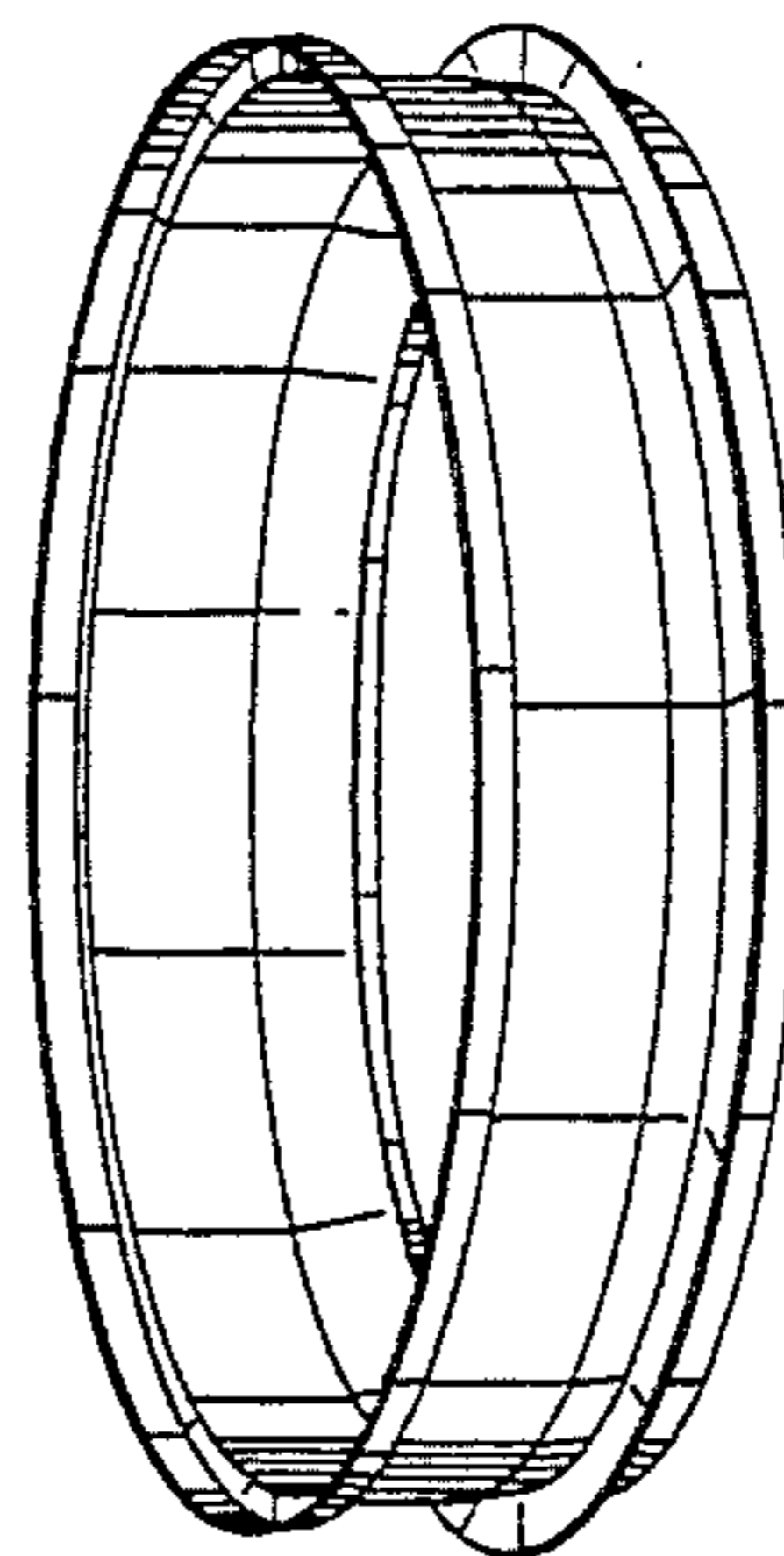
The ornamental design for a circular sleeve coupling, as shown and described.

DESCRIPTION

FIG. 1 is a perspective view of a circular sleeve coupling, showing our new design, as seen obliquely from the front;

FIG. 2 is a perspective view of the sleeve coupling, as seen obliquely from the back; and,

FIG. 3 is a side elevation of the sleeve coupling, the opposite side being a mirror image thereto.



OTHER PUBLICATIONS

Estate, Northampton NN4 0BR, England, 52 pp., first distributed in 1987.

Product Catalog entitled "Circular Duct System," issued by Lindab AB, 45 Caswell Road, Brackmills Business Park, Northampton NN4 0PW, England, 42 pp., Mar. 1992.

Swedish-language Product Catalog entitled "VELO-DUCT Cirkulärt kanalsystem," issued by Fläkt VELO-DUCT AB, Prästgårdsvägen 15, Box 84, 153 00 Järna, Sweden, 29 pp., Jun. 1991.

Product literature entitled "SPIRO Bend Segment Cutting Machine I" issued by Spiro Investment AG, Indus-

triestrasse, CH-3178 Boesingen, Switzerland, 2 pp., first distributed c.1978.

Product literature entitled "SPIRO Bend Segment Cutting Machine II" issued by SPIRO Investment AG, Industriestrasse, CH-3178 Boesingen, Switzerland, 6 pp., first distributed c. 1980.

German-language Product literature entitled "Kurven-schneidemaschine delta 2," issued by SUTER AG SEON, 5703 Seon/Schweiz, Switzerland, 6 pp., first distributed c. 1982.

Product literature entitled "Seam Forming and Locking Machine beta 2," issued by SUTER AG SEON, 5703 Seon/Schweiz, Switzerland, 4 pp., first distributed c. 1982.

FIG.1

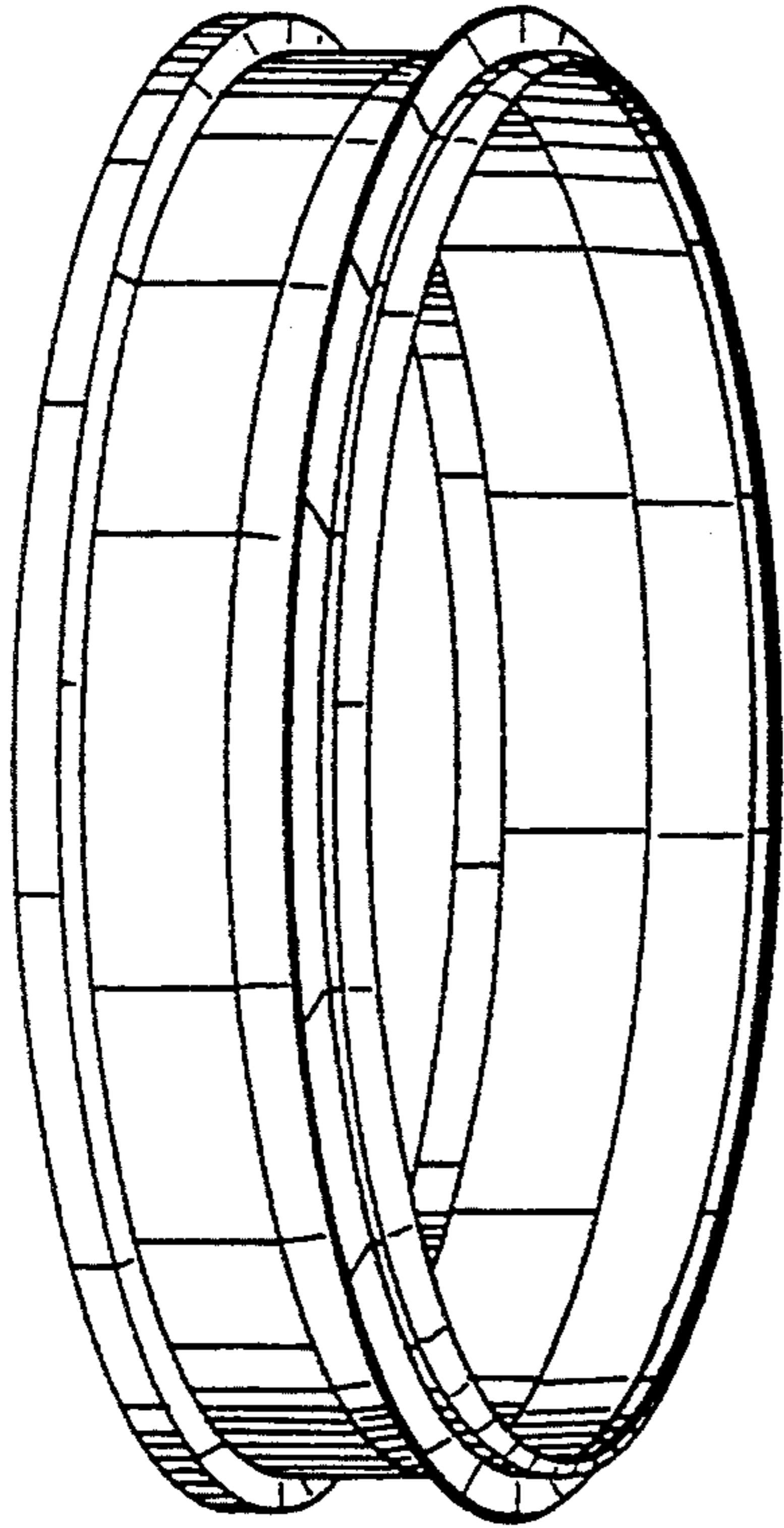


FIG.2

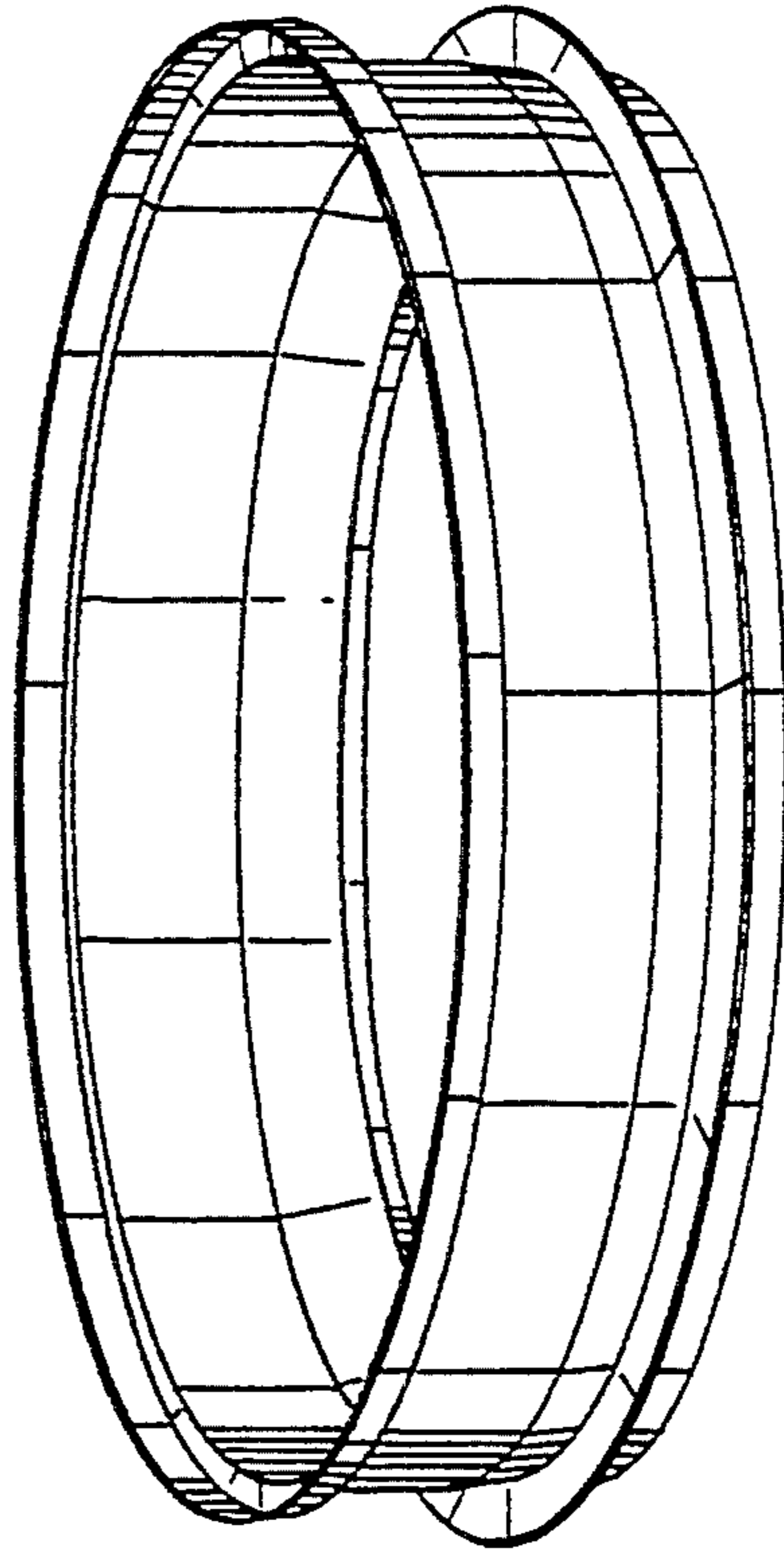


FIG.3

