



US00D360017S

# United States Patent [19]

[11] Patent Number: **Des. 360,017**

**Lopez**

[45] Date of Patent: **\*\* Jul. 4, 1995**

[54] AIR MANIFOLD FOR SPAS AND BATHS

[76] Inventor: **Robert Lopez**, 1219 So. Bonview Ave., Ontario, Calif. 91761

[\*\*] Term: **14 Years**

[21] Appl. No.: **24,066**

[22] Filed: **Jun. 7, 1994**

D. 240,427	7/1976	Ikonen et al.	.....	D23/263
D. 241,756	10/1976	Gray	.....	D23/259
D. 273,804	5/1984	Fueloep	.....	D23/263
D. 290,259	6/1987	Van der Wyk	.....	D23/263 X
D. 305,147	12/1989	Samford	.....	D23/263
2,598,961	6/1952	Andrus	.....	137/883
4,264,036	4/1981	Moore	.....	137/883 X

### Related U.S. Application Data

[63] This application is a continuation of Ser. No. 636,940, filed Dec. 12, 1990, now abandoned.

[52] U.S. Cl. .... **D23/259**

[58] Field of Search ..... D23/259, 262, 263; 137/561 A, 597, 883

*Primary Examiner*—A. Hugo Word  
*Assistant Examiner*—E. Watterson  
*Attorney, Agent, or Firm*—Robert N. Schlesinger

### [57] CLAIM

The ornamental design for an air manifold for spas and baths, as shown and described.

### DESCRIPTION

FIG. 1 is a side view of my air manifold for spas and baths showing my new design, the opposite side being a mirror image thereof;

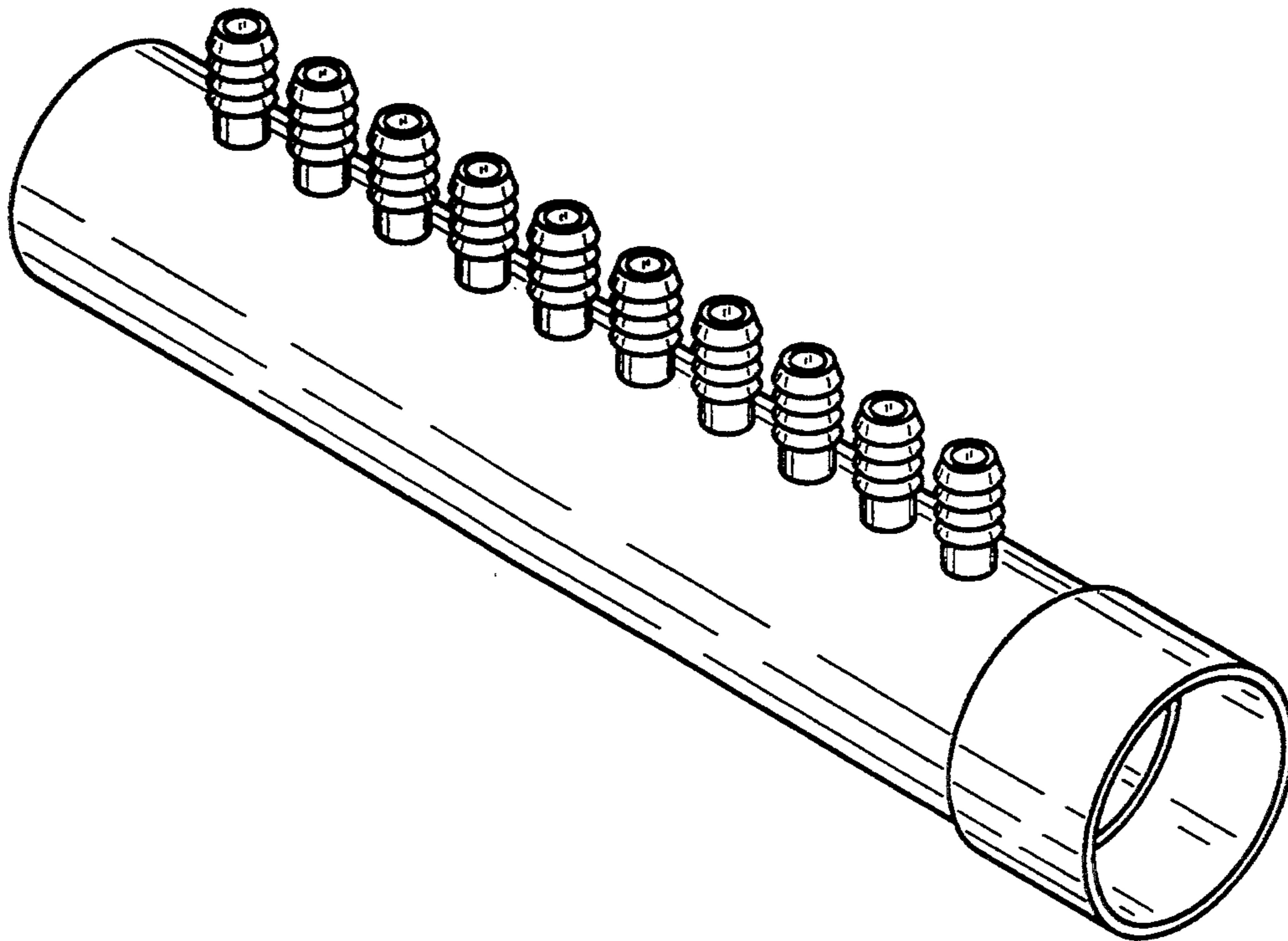
FIG. 2 is a top perspective view thereof, showing the input end;

FIG. 3 is a top perspective view thereof, showing the output end.

### [56] References Cited

#### U.S. PATENT DOCUMENTS

D. 213,317	2/1969	Nelson	.....	D23/259
D. 234,402	2/1975	Ogurchak	.....	D23/263
D. 236,724	9/1975	Scheffler, Jr. et al.	.....	D23/263



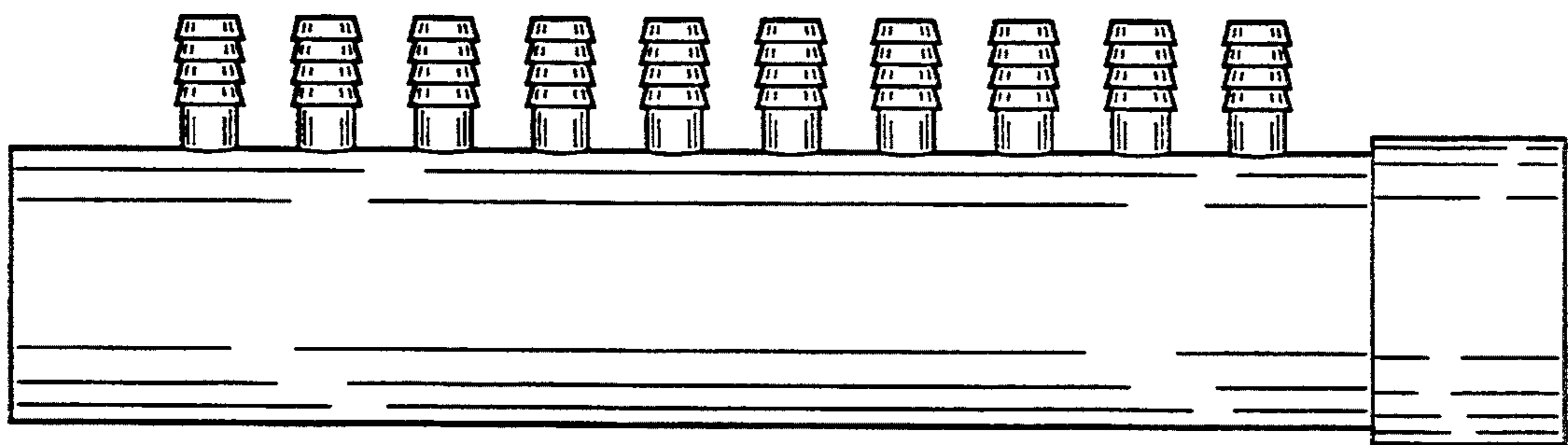


FIG. 1

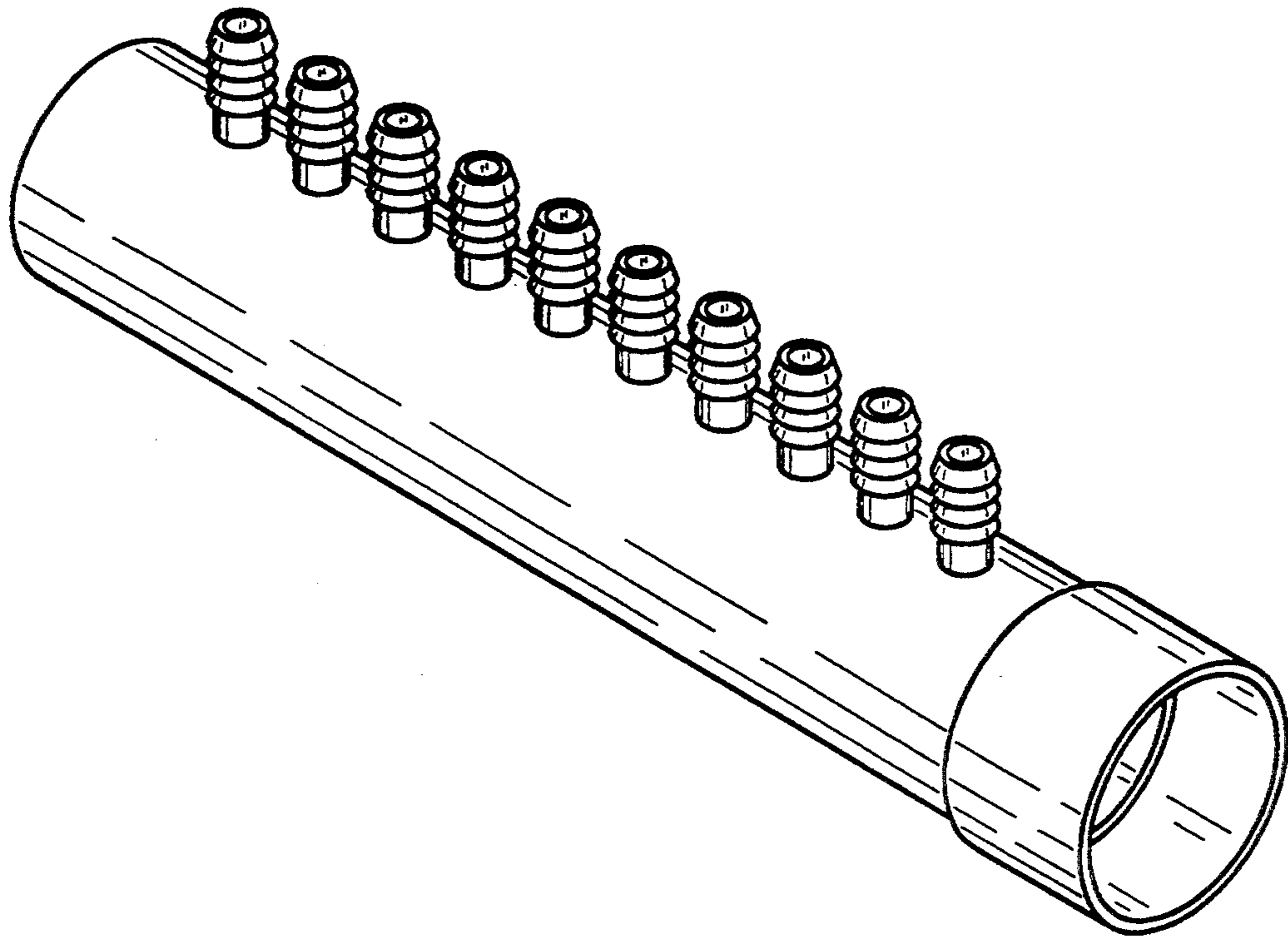


FIG. 2

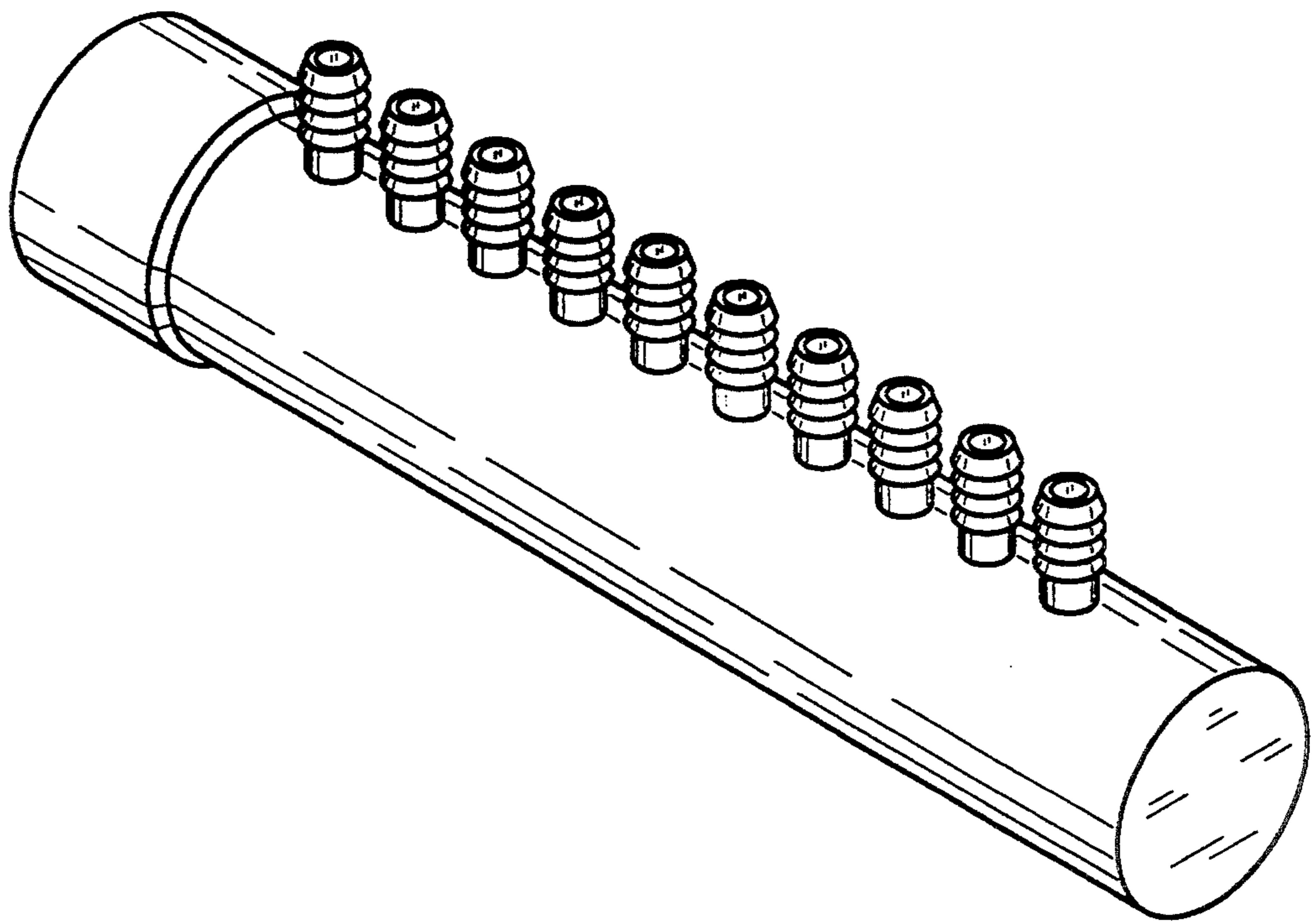


FIG. 3