



US00D360016S

# United States Patent [19]

[11] Patent Number: **Des. 360,016**

**Hsieh**

[45] Date of Patent: **\*\* Jul. 4, 1995**

[54] FAUCET

[75] Inventor: **Shui S. Hsieh**, Changhua, Taiwan

[73] Assignee: **Rin Shing Metal Co., Ltd.**, Hsien, Taiwan

[\*\*] Term: **14 Years**

[21] Appl. No.: **7,684**

[22] Filed: **Apr. 27, 1993**

[52] U.S. Cl. .... **D23/241**

[58] Field of Search ..... **D23/238-243, D23/255**

### OTHER PUBLICATIONS

Architectural Form, Sep. 1946, p. 154.

*Primary Examiner*—A. Hugo Word

*Assistant Examiner*—E. Watterson

*Attorney, Agent, or Firm*—Merchant, Gould, Smith, Edell, Welter & Schmidt

### [57] CLAIM

The ornamental design for a faucet, as shown and described.

### DESCRIPTION

FIG. 1 is a front elevational view of a faucet showing my new design;

FIG. 2 is a rear elevational view thereof;

FIG. 3 is a left side elevational view thereof;

FIG. 4 is a right side elevational view thereof;

FIG. 5 is a top plan view thereof; and,

FIG. 6 is a bottom plan view thereof;

FIG. 7 is a perspective view taken from the top, front, and right side thereof.

### [56] References Cited

#### U.S. PATENT DOCUMENTS

D. 171,571	3/1954	Baker, Jr. ....	D23/241
D. 185,353	6/1959	Dreyfuss ....	D23/241
D. 193,923	10/1962	Harty, Jr. ....	D23/241
D. 193,924	10/1962	Harty, Jr. ....	D23/241
D. 279,923	7/1985	Niemann et al. ....	D23/255
D. 284,499	7/1986	Yost ....	D23/241
D. 291,236	8/1987	Delepine ....	D23/242

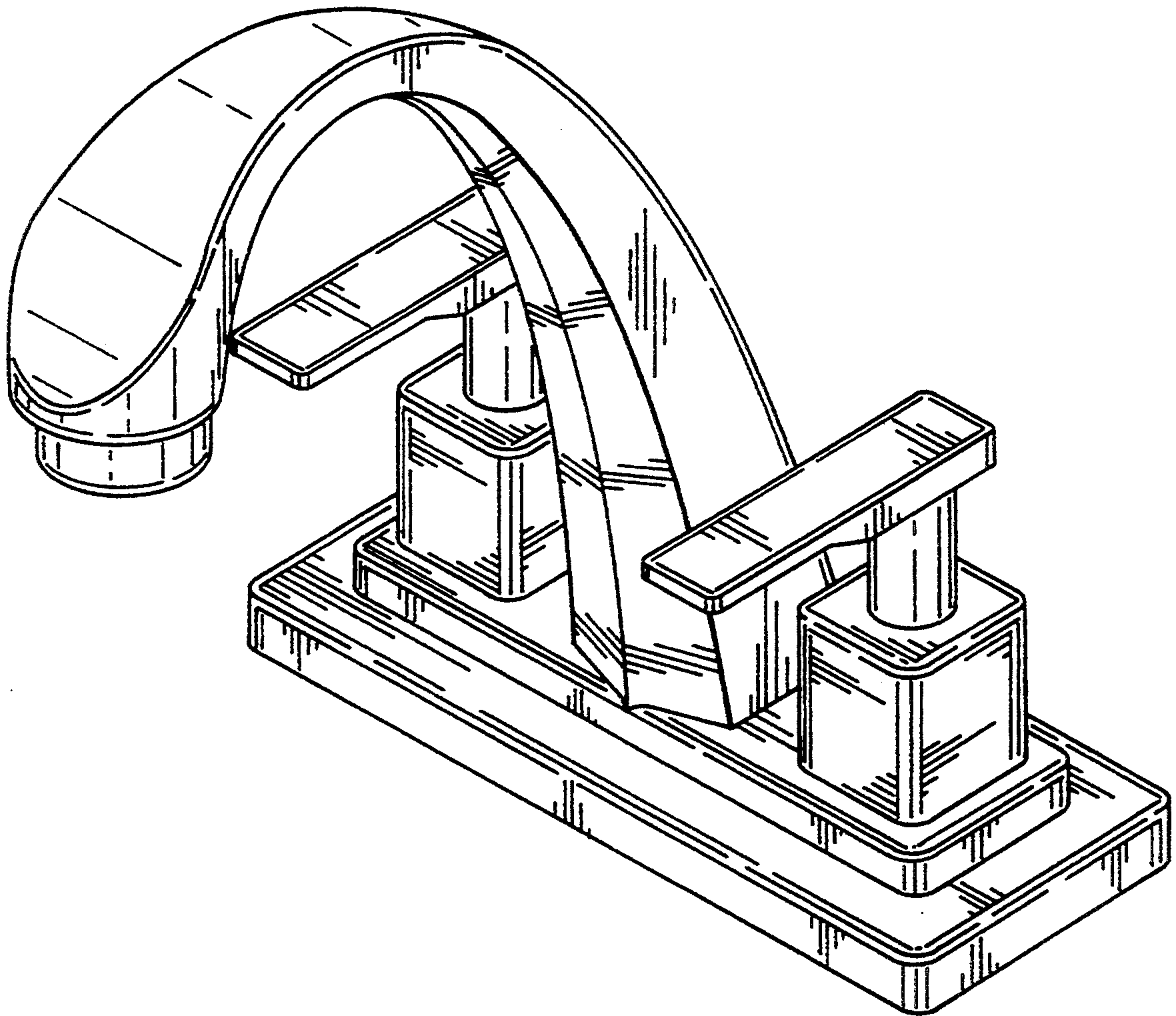


FIG. 1

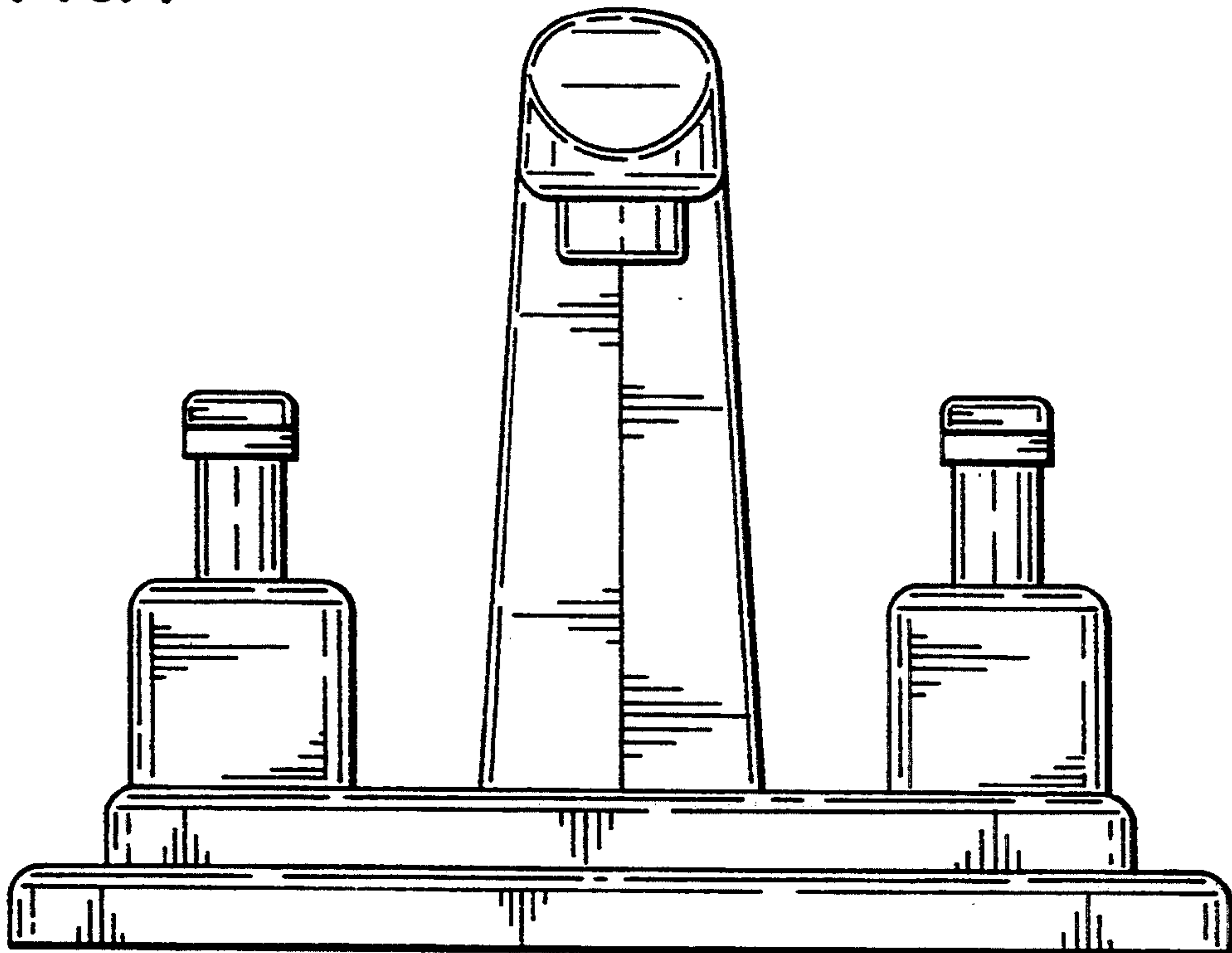


FIG. 2

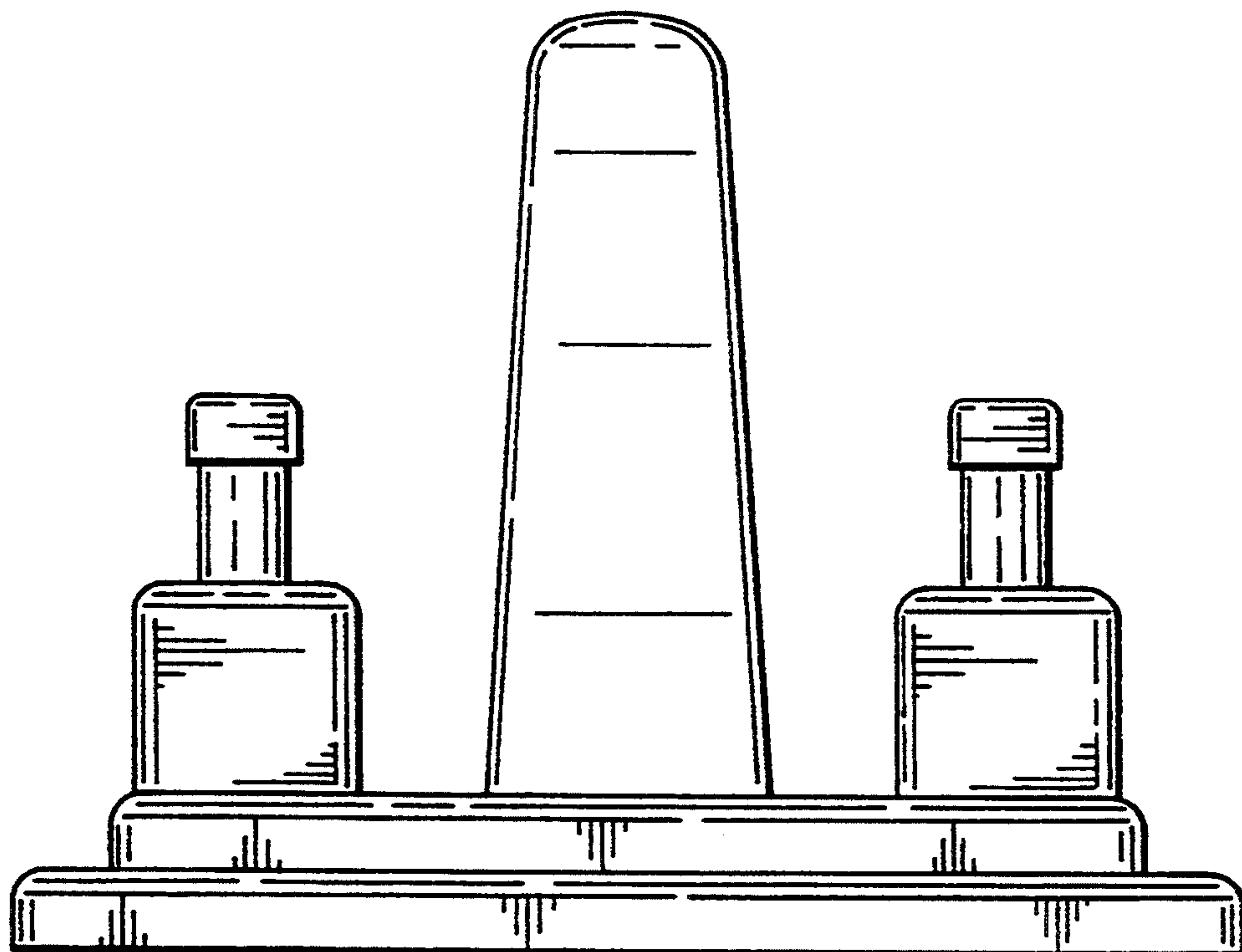


FIG. 4

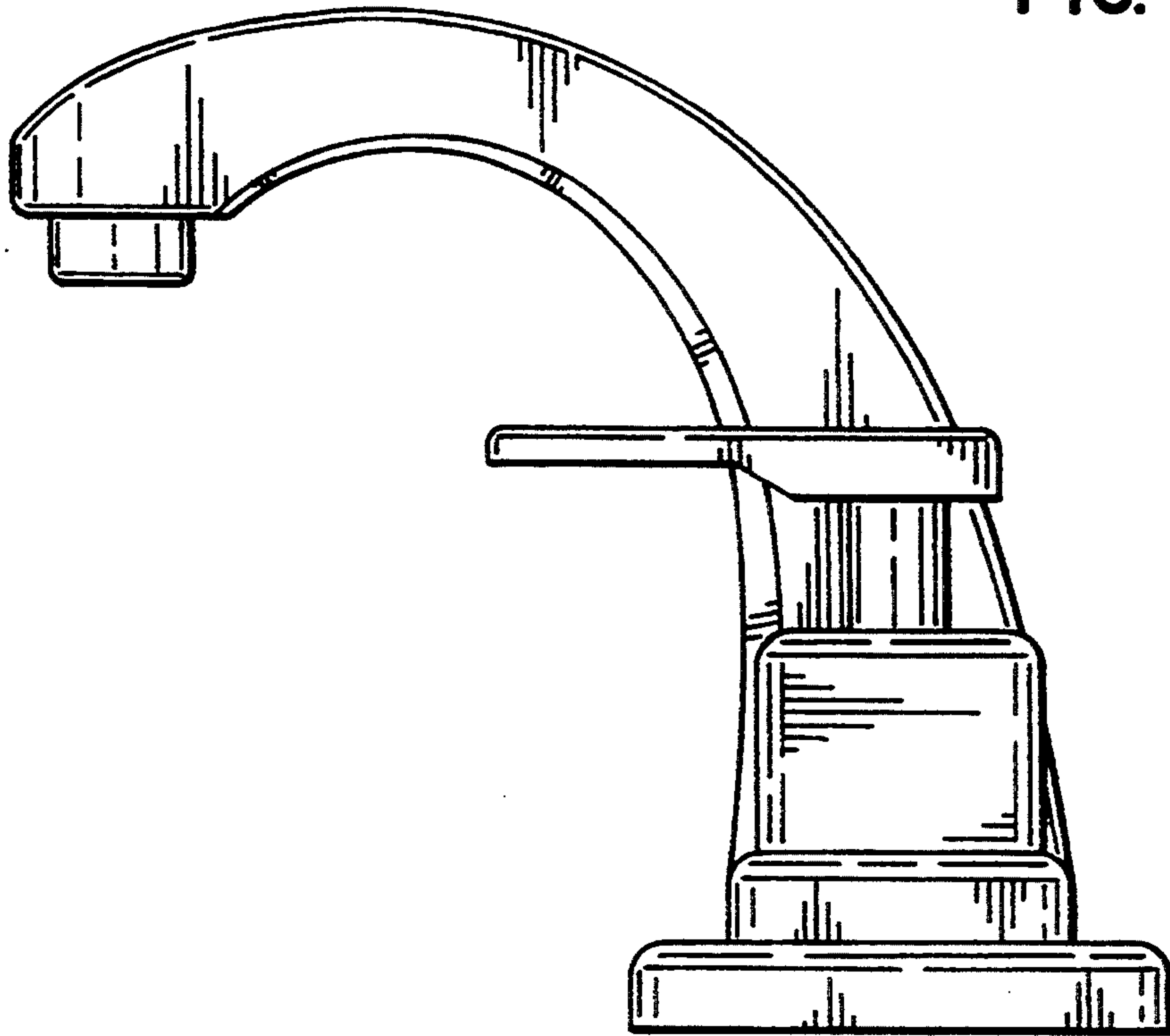


FIG. 3

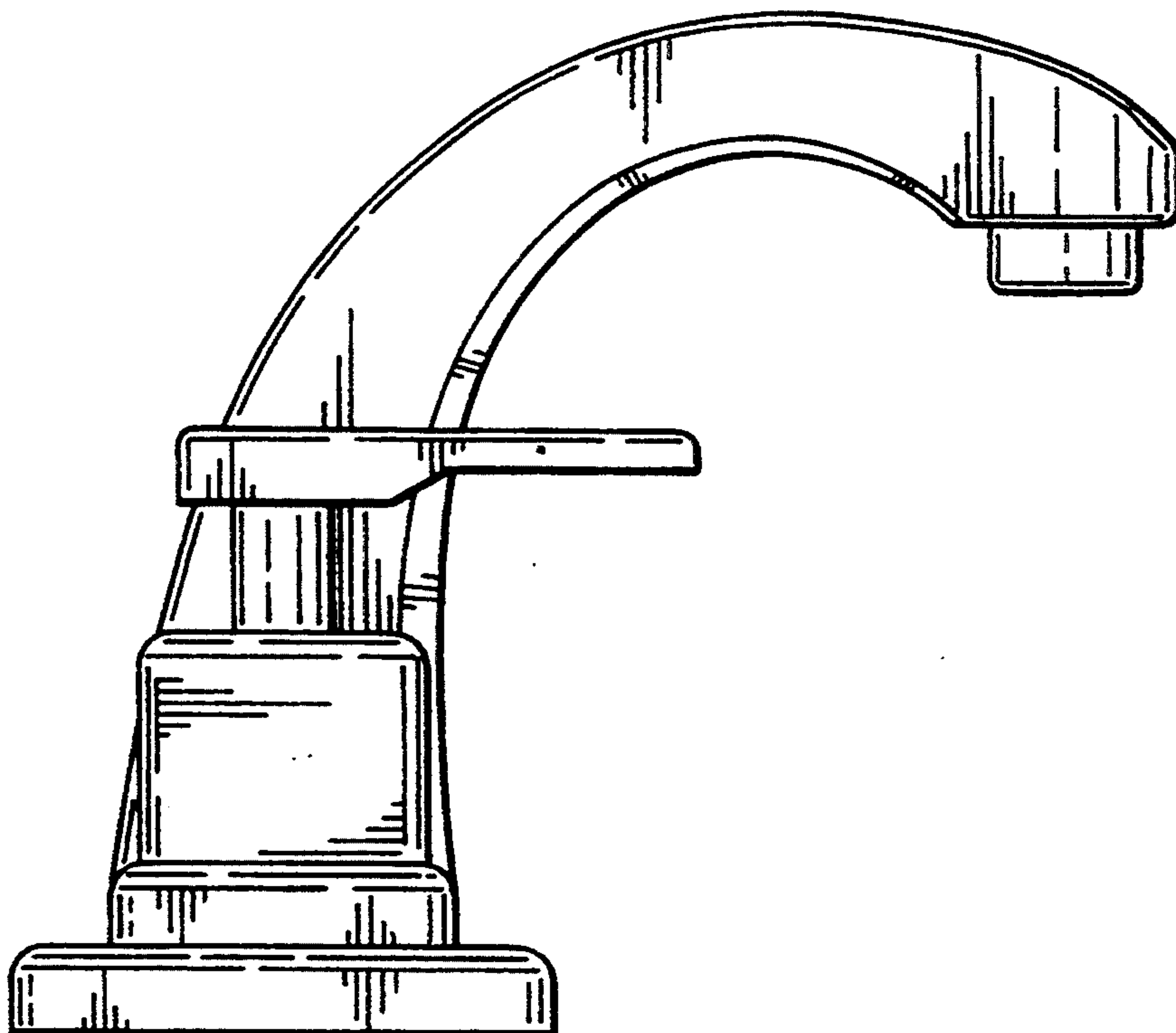




FIG. 5

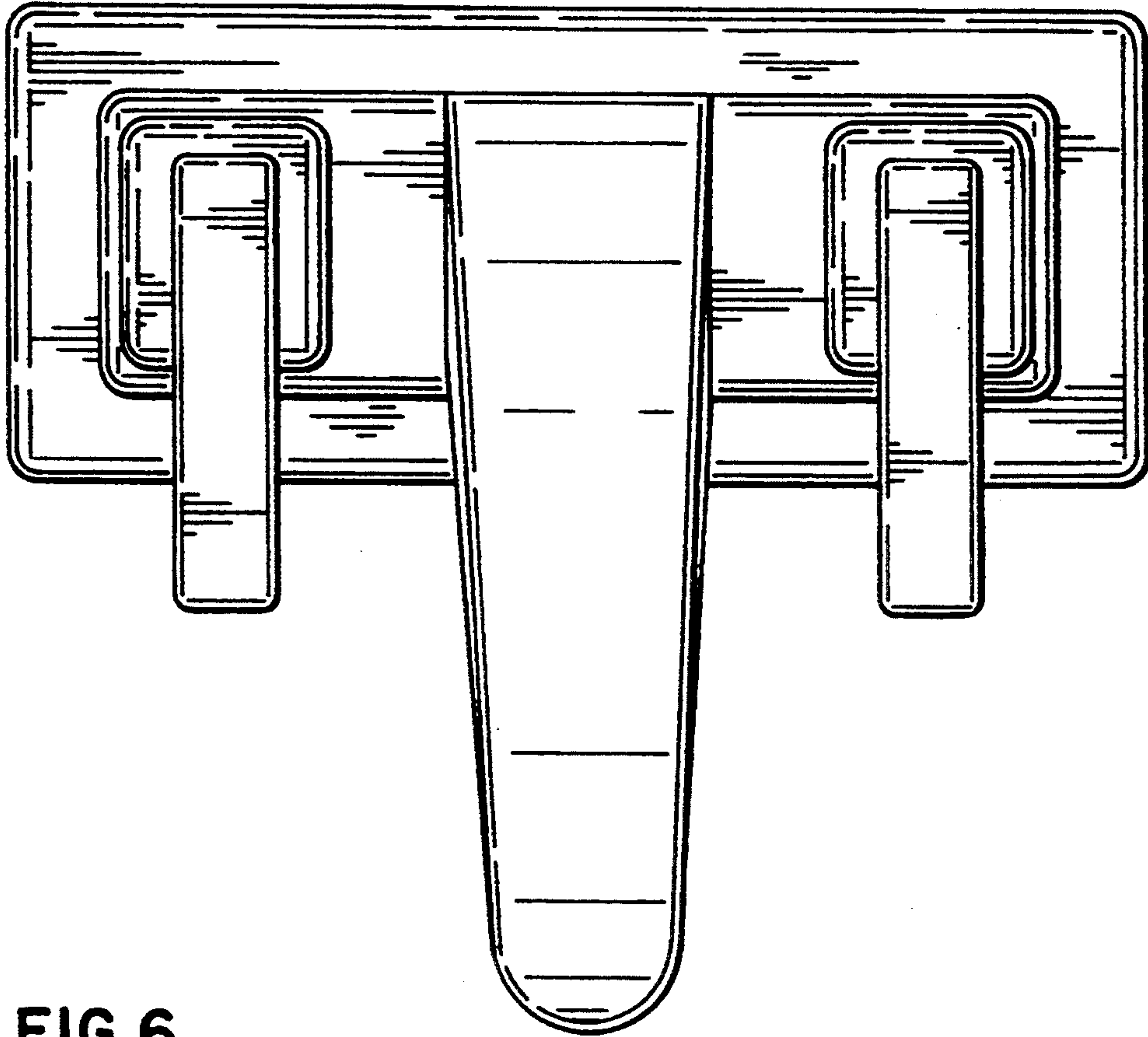


FIG. 6

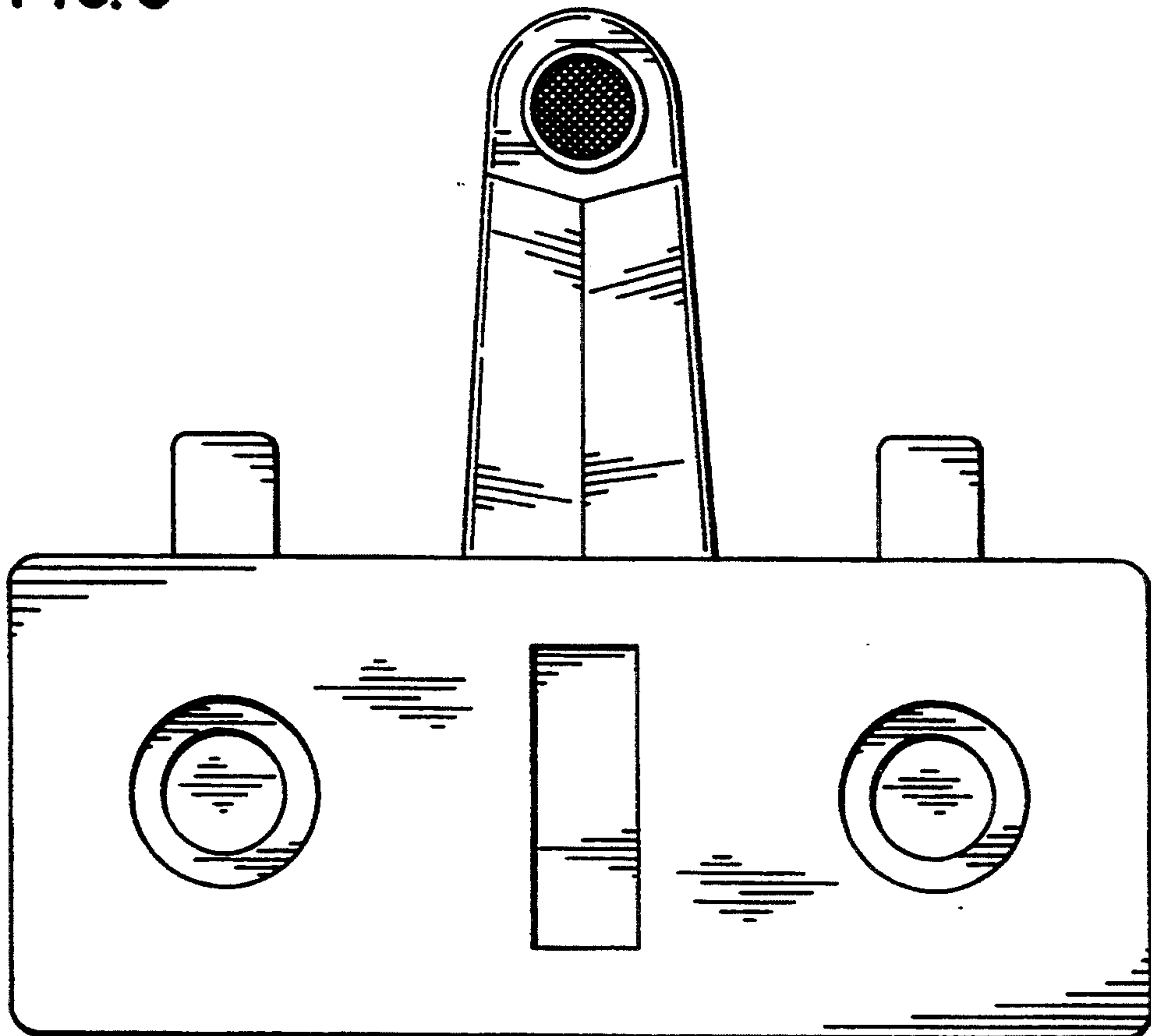


FIG. 7

