



US00D360015S

United States Patent [19]
Cosby et al.

[11] **Patent Number: Des. 360,015**
[45] **Date of Patent: ** Jul. 4, 1995**

[54] **ROD MOUNTED TACKLE BOX**
[75] Inventors: **David D. Cosby, Tulsa, Okla.;**
Richard J. Robbins, Derby, Kans.;
Dallas Hodges, Tulsa, Okla.
[73] Assignee: **Brunswick Corporation, Lake Forest,**
Ill.
[**] Term: **14 Years**
[21] Appl. No.: **26,122**
[22] Filed: **Jul. 19, 1994**
[52] U.S. Cl. **D22/139; D3/215;**
D3/221; D3/225; D22/134
[58] Field of Search **D22/139, 134; D3/260,**
D3/215, 221, 225; 43/25.2, 54.1, 25, 57.1, 4;
206/315.11; 224/922

4,452,003 6/1984 Deutsch et al. 43/25.2
4,501,222 2/1985 Stone 43/25 X
5,079,863 1/1992 Gillespie 43/54.1
5,169,018 12/1992 Fiore 220/318
5,176,281 1/1993 Fiore 220/520
5,209,009 5/1993 Fast 43/54.1
5,220,742 6/1993 Lewis 43/25.2
5,226,553 7/1993 Fiore 220/318
5,297,676 3/1994 Coleman 206/315.11

FOREIGN PATENT DOCUMENTS

732817 4/1966 Canada .
WO9210931 7/1992 WIPO .

Primary Examiner—Doris V. Coles
Attorney, Agent, or Firm—Baker & Botts

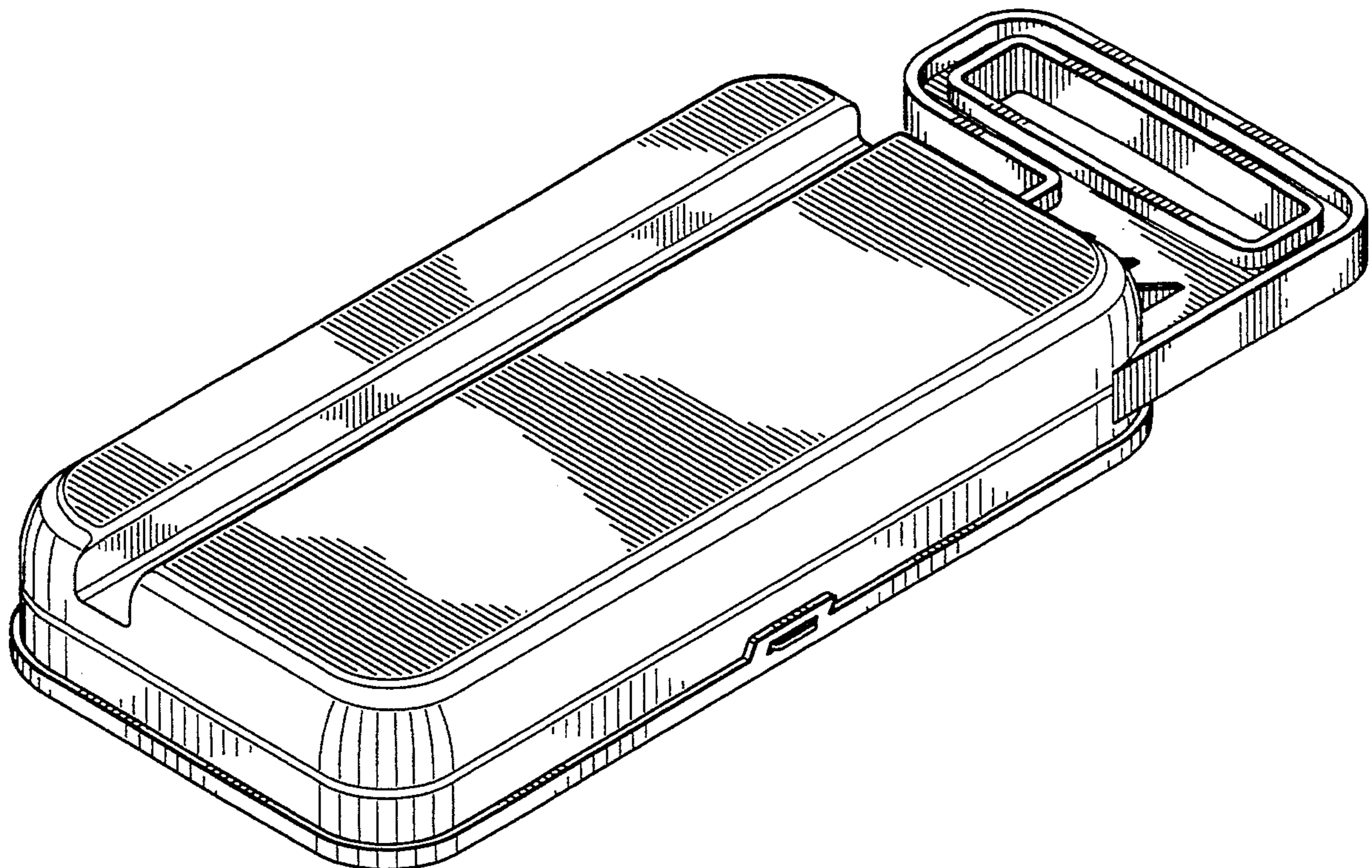
[57] **CLAIM**

The ornamental design for a rod mounted tackle box, as shown and described.

DESCRIPTION

FIG. 1 is a perspective view from the bottom of a rod mounted tackle box showing our new design; FIG. 2 is a top view thereof; FIG. 3 is a bottom view thereof; FIG. 4 is a back elevational view thereof; FIG. 5 is a front elevational view thereof; FIG. 6 is a left side view thereof; and, FIG. 7 is a right side view thereof.

[56] **References Cited**
U.S. PATENT DOCUMENTS
D. 244,853 6/1977 Cordell, Jr. D3/225
D. 263,519 3/1982 Ader .
D. 270,265 8/1983 Kircher et al. D3/225
2,713,807 7/1955 Herbert D3/225 X
2,767,502 10/1956 Reynolds 43/25.2
2,878,610 3/1959 Herstedt 43/25.2
4,139,096 2/1979 Sieger 206/315.11
4,203,245 5/1980 Peterson 43/25.2



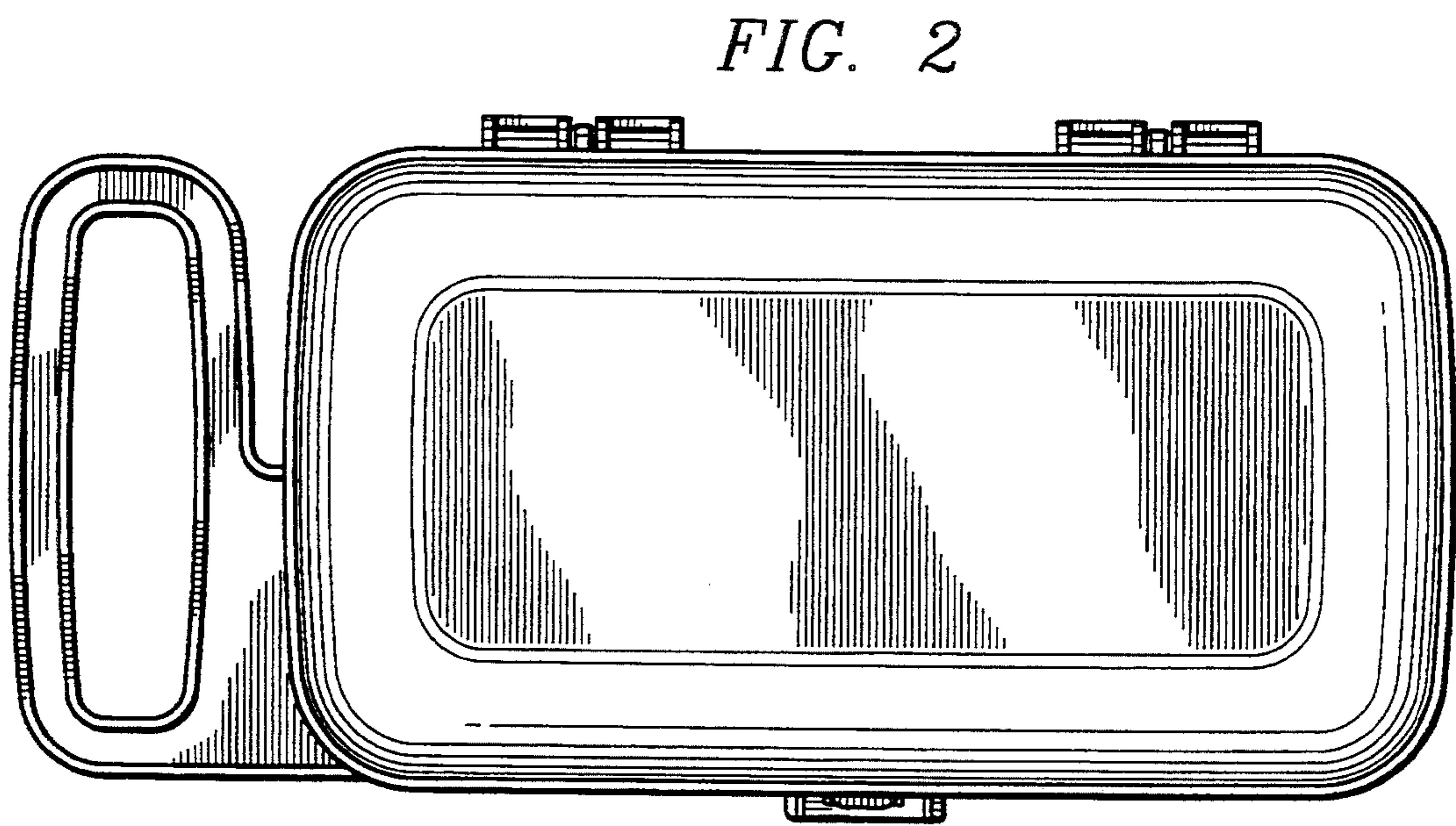
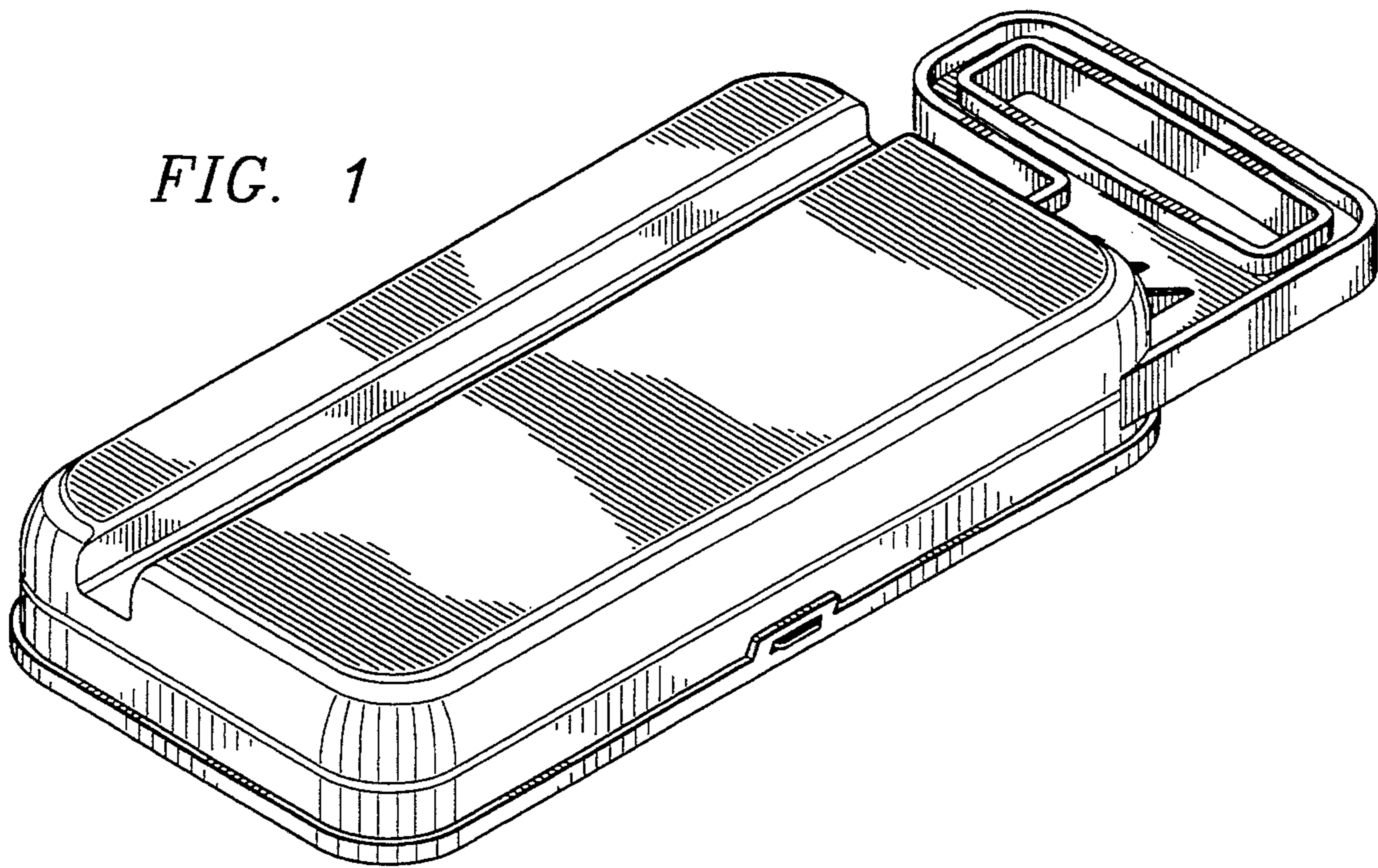


FIG. 3

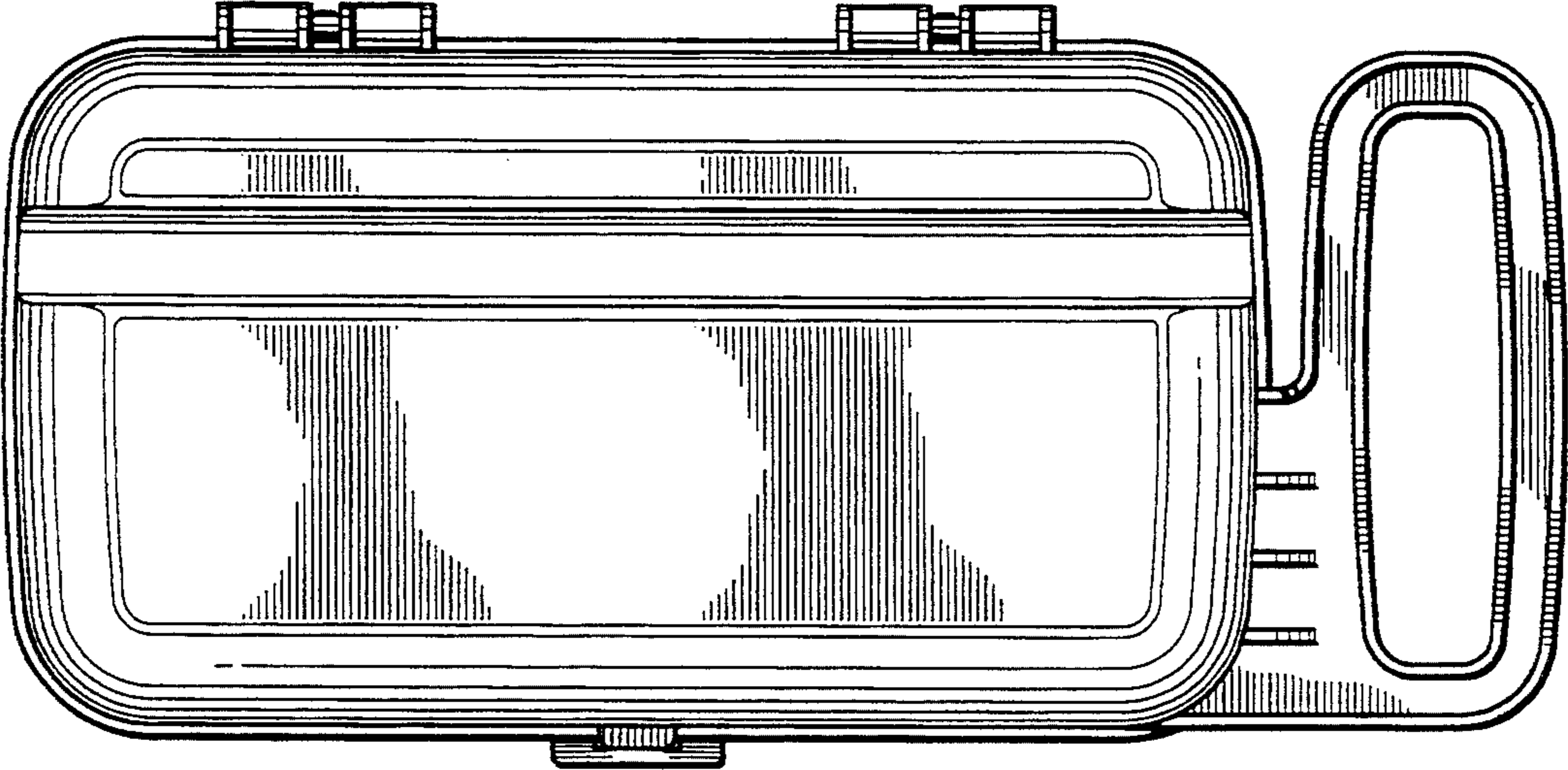


FIG. 4

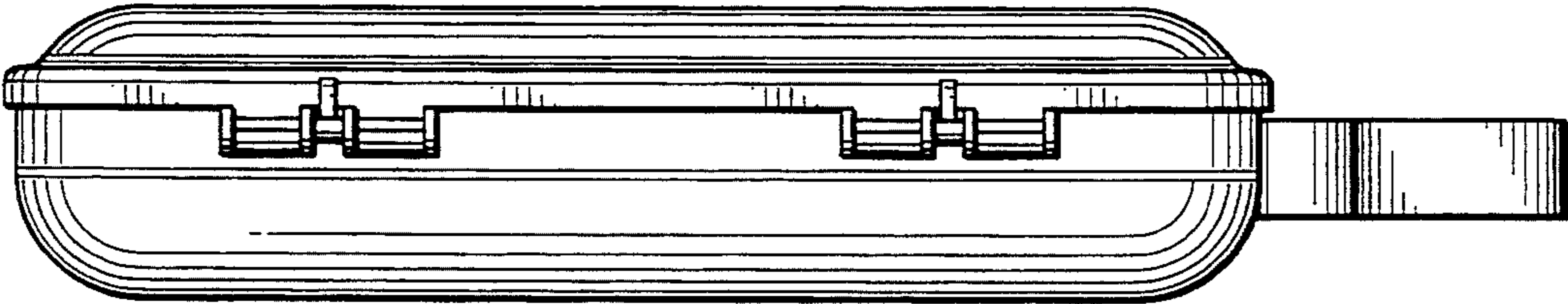


FIG. 5

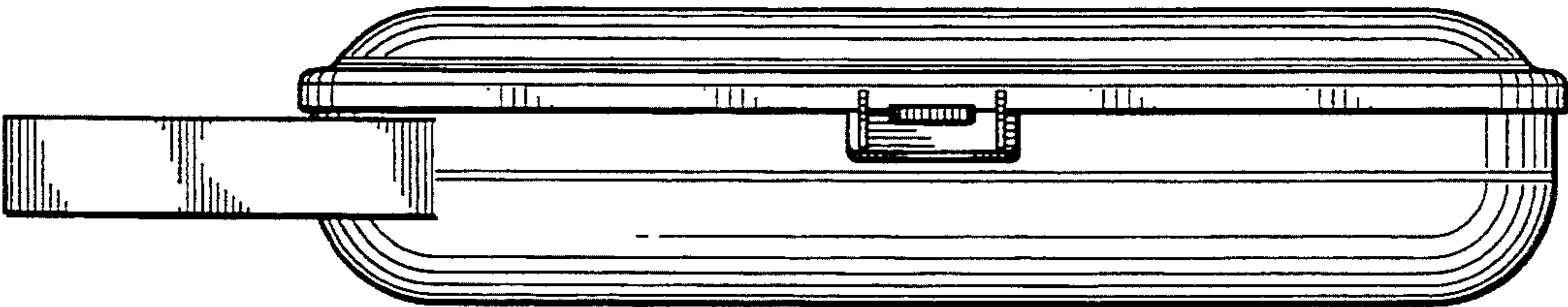


FIG. 6

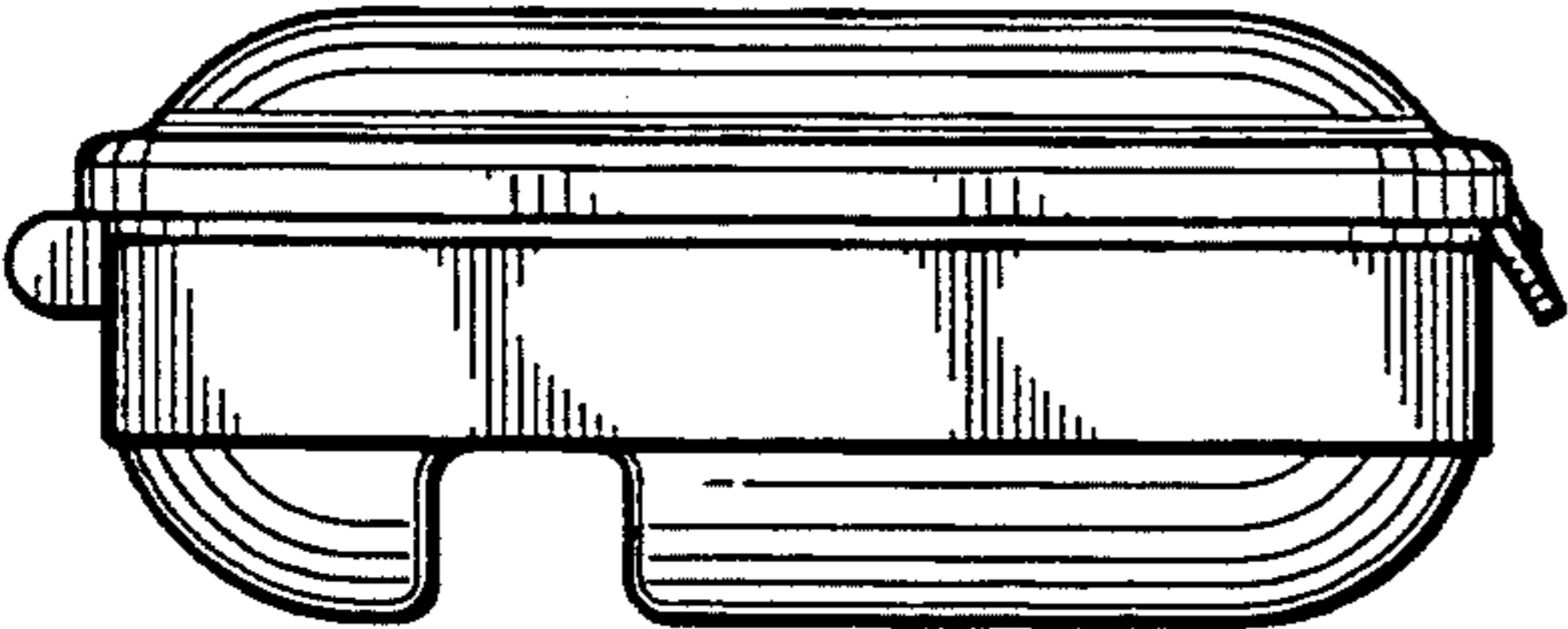


FIG. 7

