



US00D360009S

# United States Patent [19] Grace

[11] Patent Number: **Des. 360,009**

[45] Date of Patent: **\*\* Jul. 4, 1995**

[54] **SOLE FOR A GOLF PUTTER HEAD**

[75] Inventor: **Bobby Grace**, Palm Harbor, Fla.

[73] Assignee: **Bobby Grace Golf Design, Inc.**, St. Petersburg, Fla.

[\*\*] Term: **14 Years**

[21] Appl. No.: **30,542**

[22] Filed: **Nov. 1, 1994**

[52] U.S. Cl. .... **D21/217; D21/221**

[58] Field of Search ..... **D21/214, 217-219; 273/167-175**

- 4,484,746 11/1984 Brill .
- 4,523,758 6/1985 Guendling, Jr. .
- 4,964,639 10/1990 Tucker .
- 5,042,806 8/1991 Helmstetter ..... 273/167 A X
- 5,058,895 10/1991 Igarashi .
- 5,176,379 1/1993 Reinberg .
- 5,273,282 12/1993 Cannon .
- 5,294,122 3/1994 Longo .

### OTHER PUBLICATIONS

Edward Watts Golf Shops; 1993; page 1; "Big Bertha", top of page.  
 Austads; Spring 1992; page 1; "Aceutech" Wood, top of page.  
 Projector II-brand putter, made and sold by U. T. Golf company, shown in "Projector II Foam Filled" display in U.T. Golf 1994 catalog and photographs.  
 Big Bertha-brand putter, made and sold by Callaway company. No Date Supplied.  
 "The Color Of Money" advertisement for Ray Cook--brand putter. No. Date Supplied.

*Primary Examiner*—Theodore M. Shooman  
*Assistant Examiner*—Mitchell I. Siegel  
*Attorney, Agent, or Firm*—Hill, Steadman & Simpson

[56] **References Cited**

#### U.S. PATENT DOCUMENTS

- D. 222,889 1/1972 Dziurgot .
- D.229,204 11/1973 Romero .
- D. 231,625 5/1974 Werner .
- D. 237,289 10/1975 Calton .
- D. 240,751 7/1976 Taylor .
- D. 240,949 8/1976 Jones .
- D. 271,783 12/1983 Simmons .
- D. 305,055 12/1989 Antonious .
- D. 318,087 7/1991 Helmstetter ..... D21/214
- D. 318,702 7/1991 Igarashi .
- D. 325,949 5/1992 Harris, Jr. .
- D. 340,753 10/1993 Miesch .
- D. 340,962 11/1993 Phillips .
- 1,756,219 4/1930 Spiker .
- 2,222,534 11/1940 Harris .
- 2,478,468 8/1949 Drake .
- 3,035,839 5/1962 Colianese .
- 3,081,087 3/1963 Reed .
- 3,462,155 8/1969 Pelz .
- 3,819,180 6/1974 Murphy .
- 3,954,265 5/1976 Taylor .
- 4,077,633 3/1978 Studen .
- 4,138,117 2/1979 Dalton .
- 4,147,357 4/1979 Strop .
- 4,173,343 11/1979 Richilano .

[57] **CLAIM**

The ornamental design for a sole for a golf putter head, as shown and described.

### DESCRIPTION

FIG. 1 is a bottom perspective view of a sole for a golf putter head showing my new design;  
 FIG. 2 is a plan view thereof;  
 FIG. 3 is a left side elevational view thereof;  
 FIG. 4 is a right side elevational view thereof;  
 FIG. 5 is a rear elevation view thereof; and,  
 FIG. 6 is a front elevation view thereof.  
 The broken line showing of top and sides of the putter as well as the fragmented shaft is for illustrative purposes only and forms no part of the claimed design.

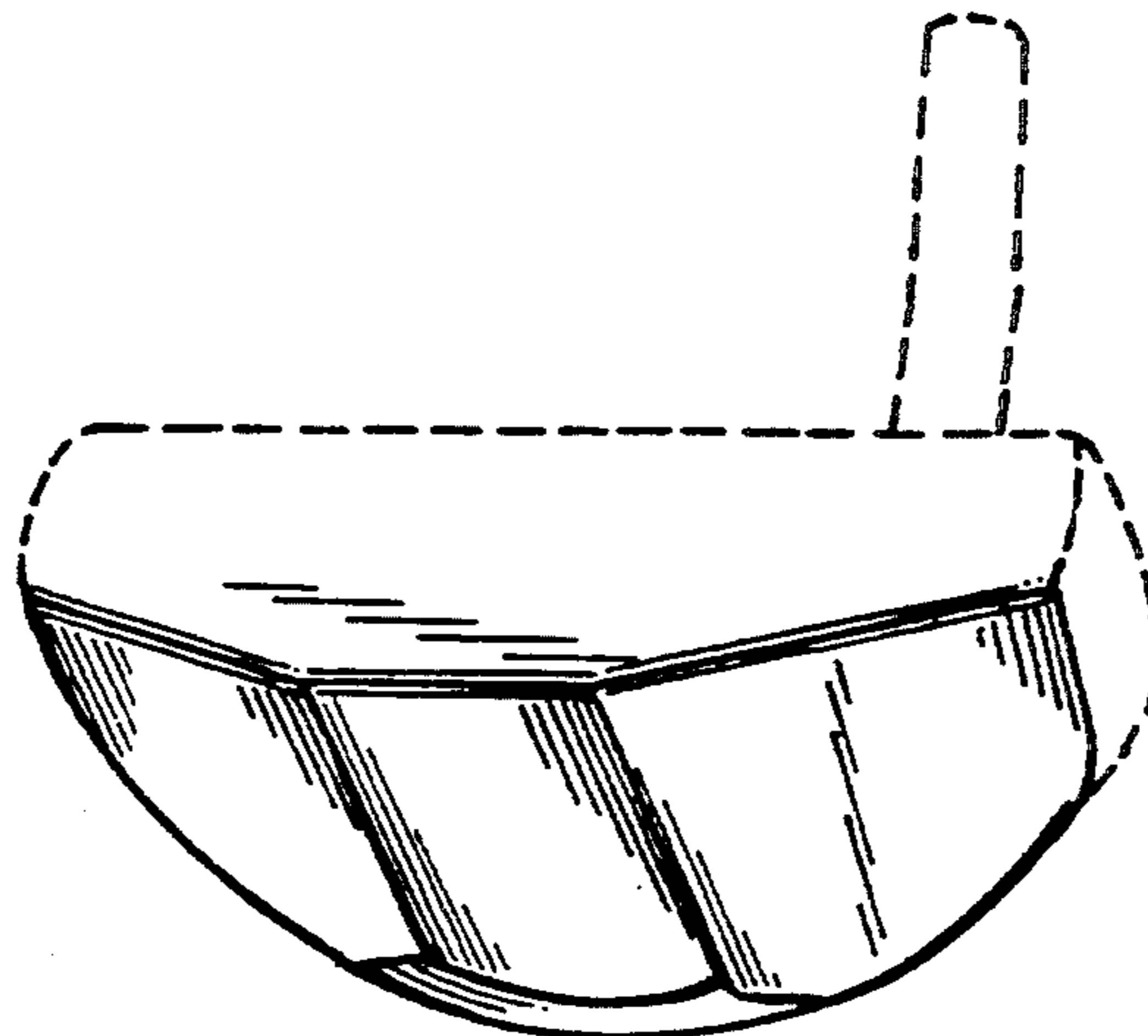


FIG. 1

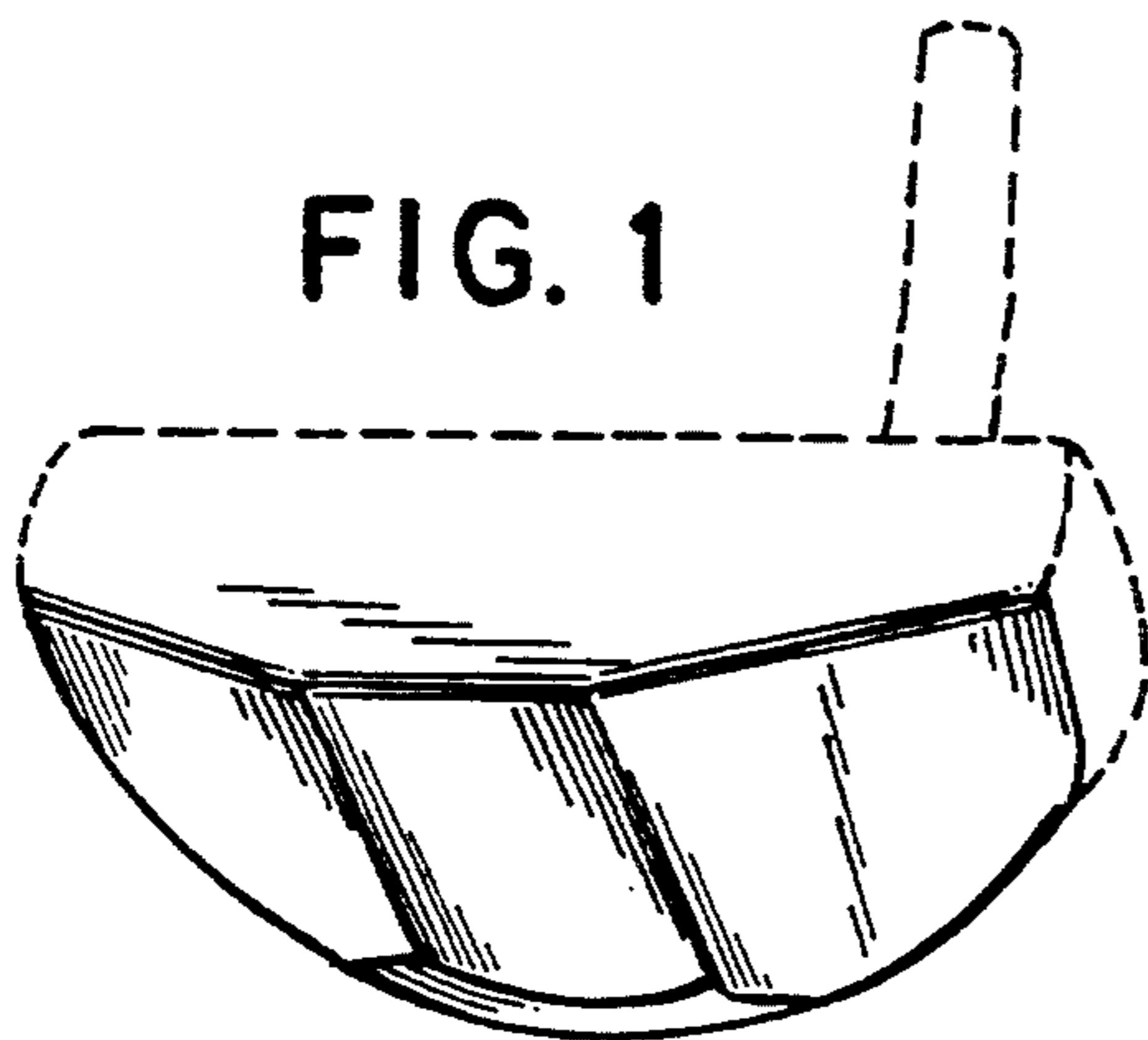


FIG. 2

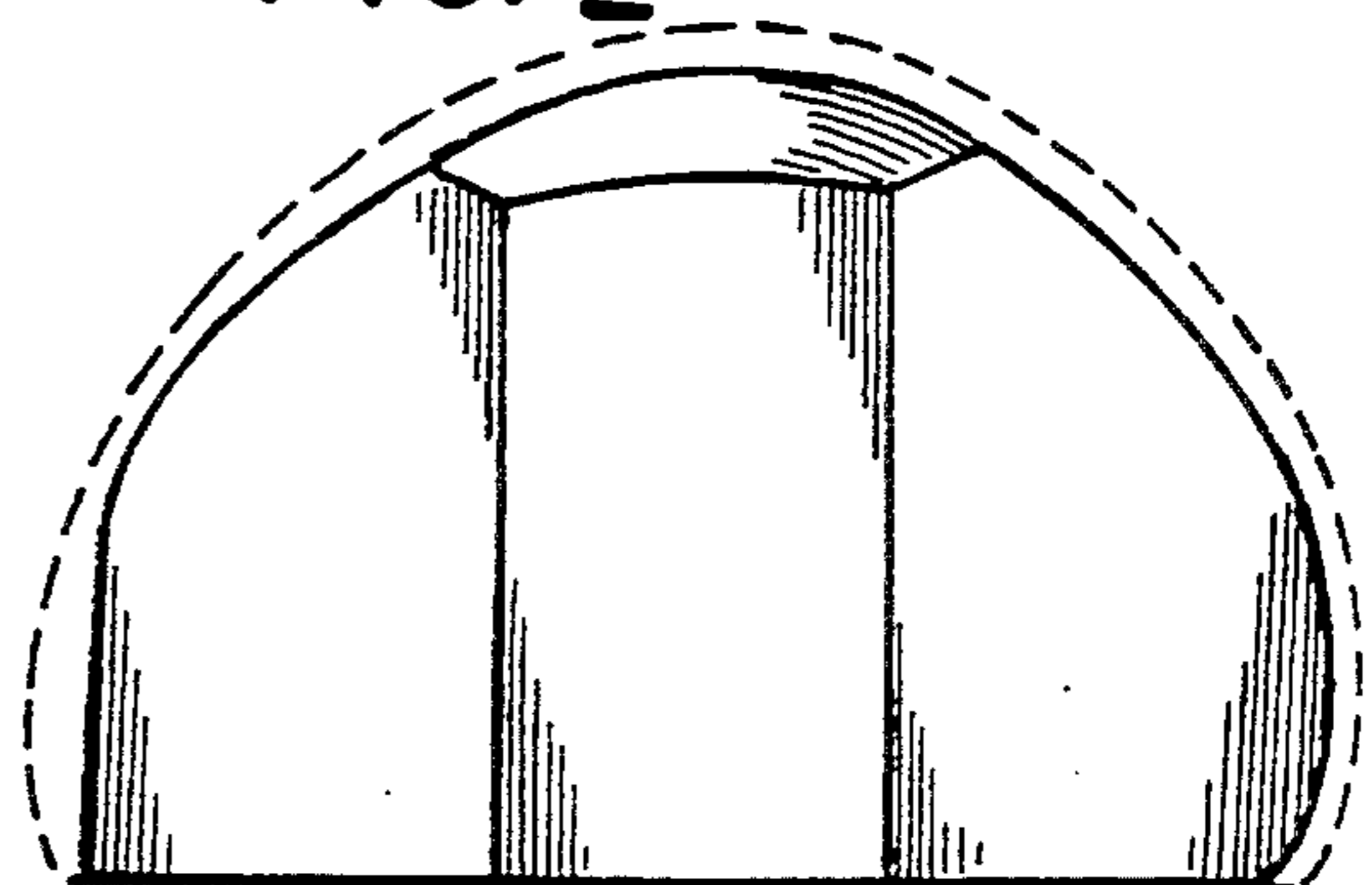


FIG. 3

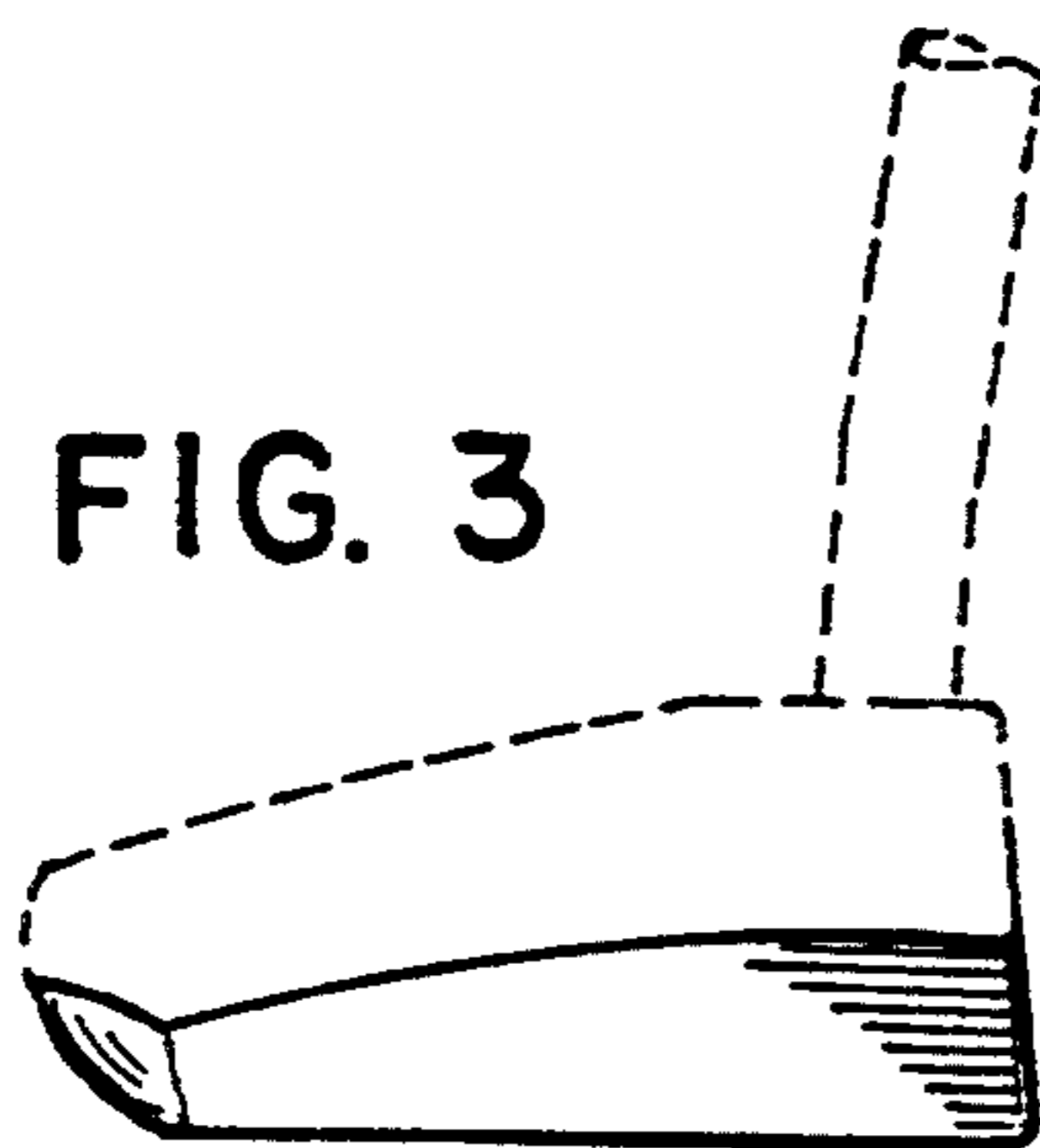


FIG. 4

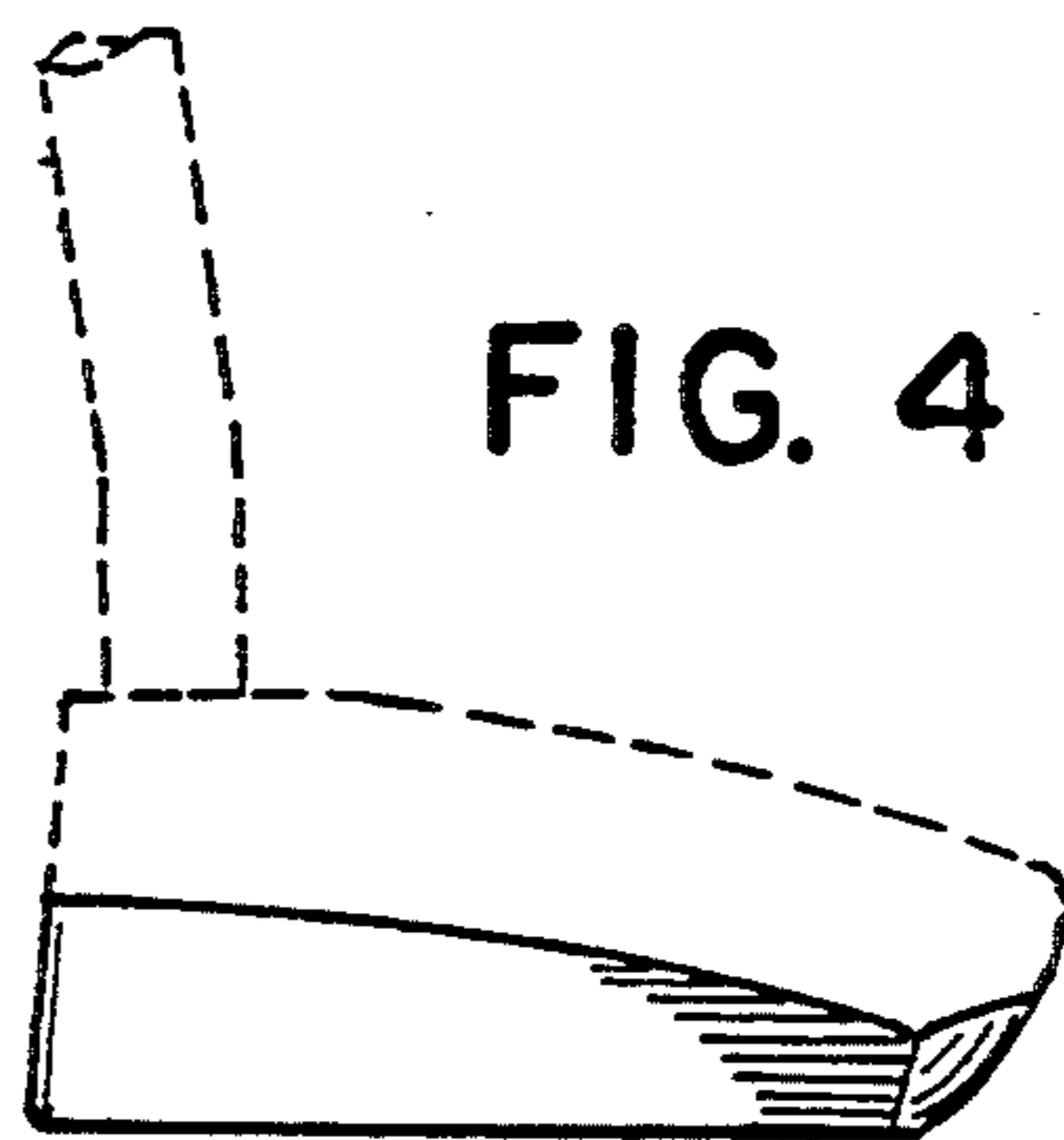


FIG. 5

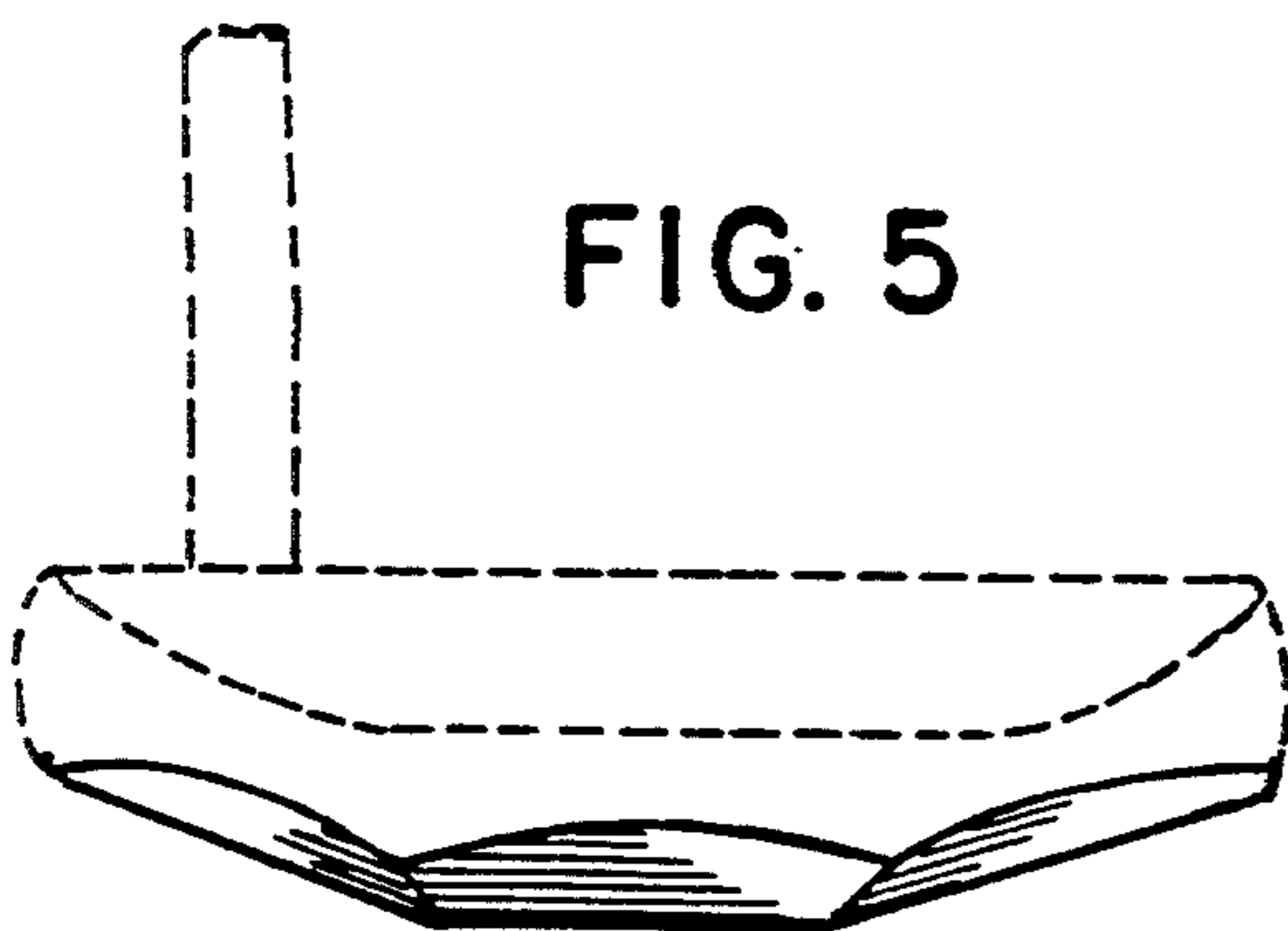


FIG. 6

