



US00D360008S

United States Patent [19]
Solheim

[11] **Patent Number: Des. 360,008**

[45] **Date of Patent: ** Jul. 4, 1995**

[54] **GOLF PUTTER HEAD**

[75] **Inventor: Karsten Solheim, Phoenix, Ariz.**

[73] **Assignee: Karsten Manufacturing Corporation, Phoenix, Ariz.**

[**] **Term: 14 Years**

[21] **Appl. No.: 19,357**

[22] **Filed: Feb. 28, 1994**

[52] **U.S. Cl. D21/217**

[58] **Field of Search D21/217-219; 273/167-175**

[56] **References Cited**

U.S. PATENT DOCUMENTS

- D. 229,208 11/1973 Phinny D21/218
- D. 229,622 12/1973 Bartron D21/219 X
- D. 248,783 9/1978 Long D21/217

OTHER PUBLICATIONS

Ping by Karsten; Jan. 1971; p. 2; 1-A golf club lower right corner.

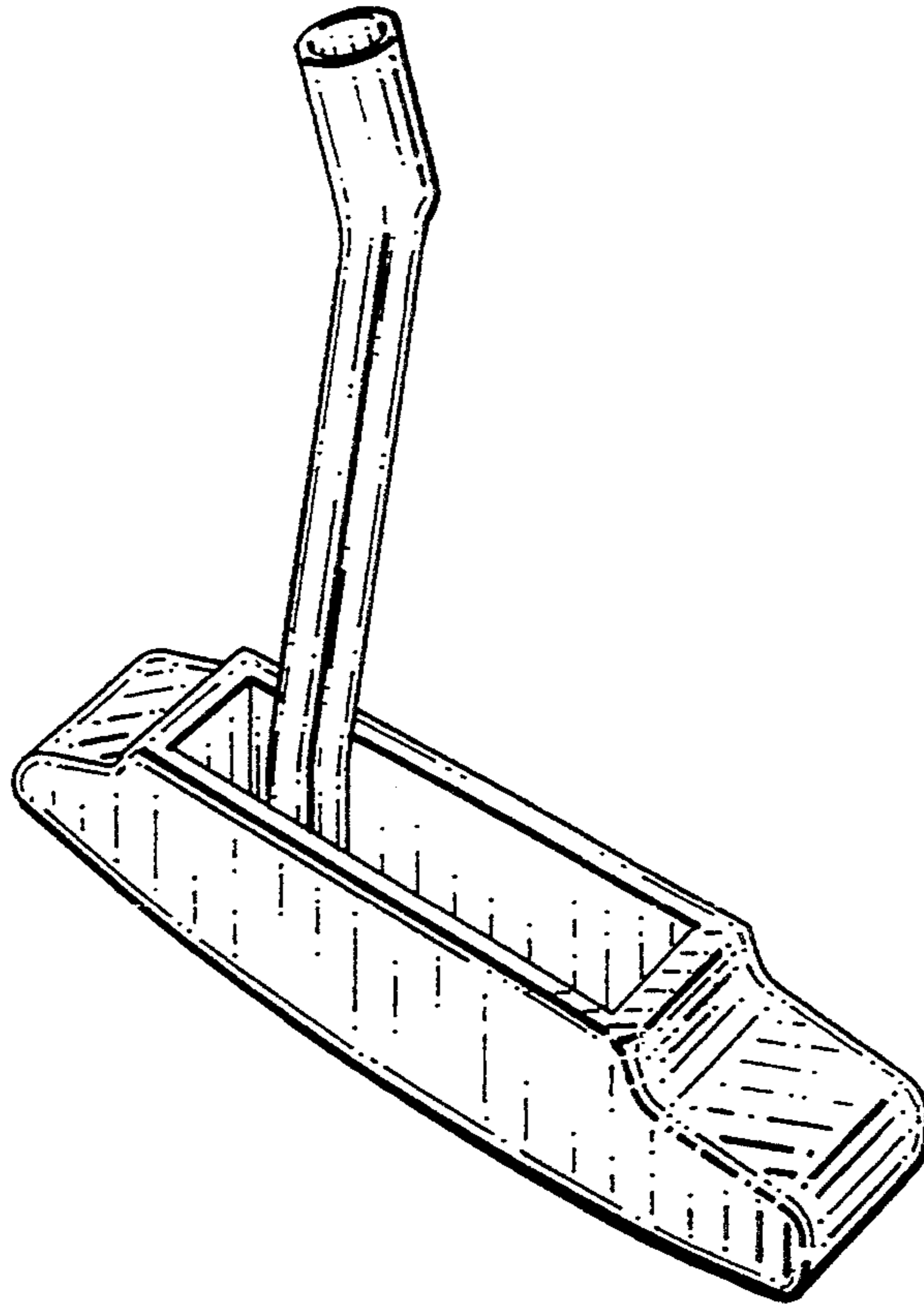
Primary Examiner—Theodore M. Shooman
Assistant Examiner—Mitchell I. Siegel
Attorney, Agent, or Firm—Darrell F. Marquette; Herbert E. Haynes, Jr.

[57] **CLAIM**

The ornamental design for a golf putter head, as shown and described.

DESCRIPTION

FIG. 1 is a perspective view of a golf putter head embodying my new design;
 FIG. 2 is a toe end elevational view of the golf putter head shown in FIG. 1;
 FIG. 3 is a rear elevational view of the golf putter head shown in FIG. 1;
 FIG. 4 is a top plan view of the golf putter head shown in FIG. 1;
 FIG. 5 is a bottom view of the golf putter head shown in FIG. 1;
 FIG. 6 is a front elevational view of the golf putter head shown in FIG. 1; and,
 FIG. 7 is a heel end elevational view of the golf putter head shown in FIG. 1.



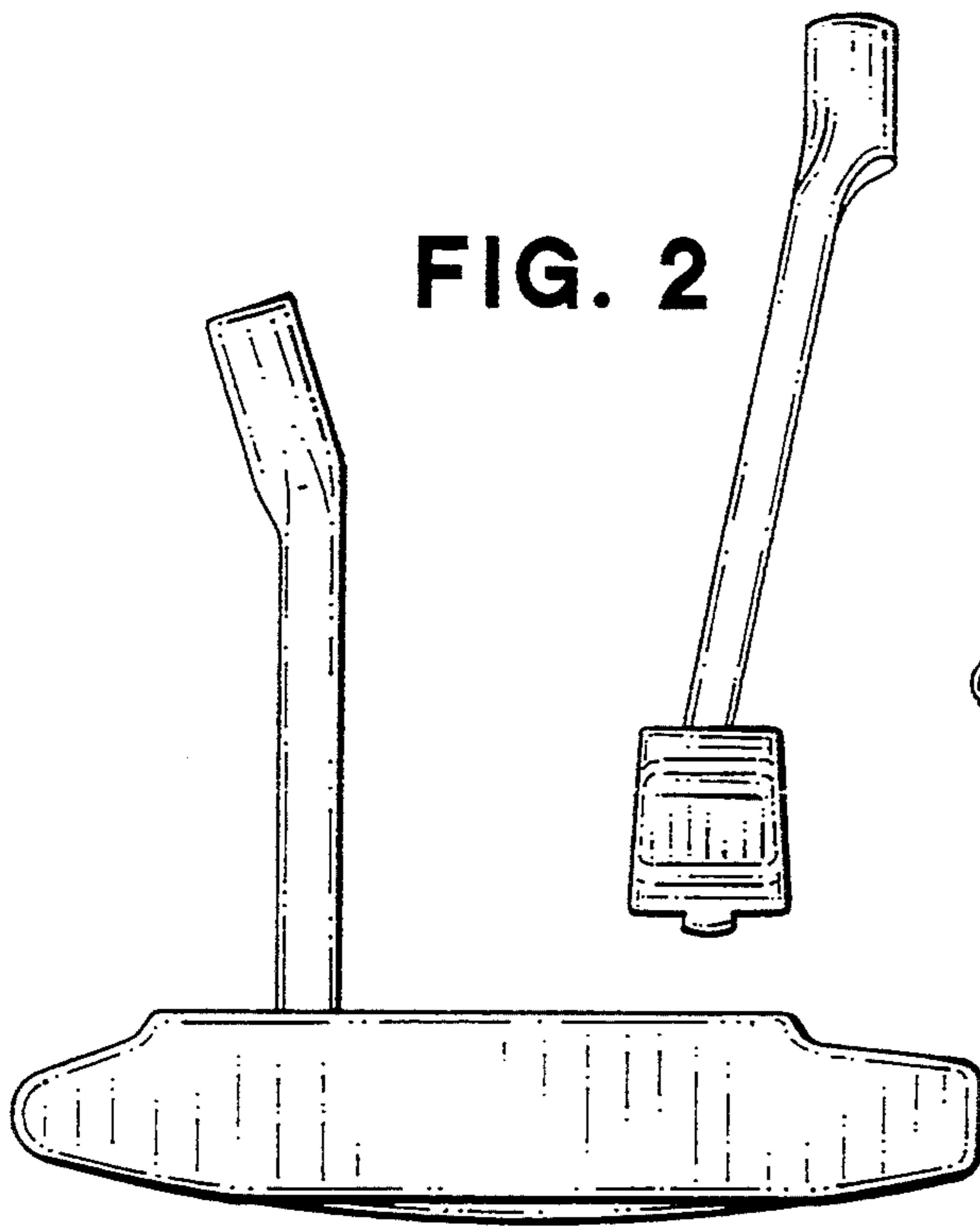


FIG. 2

FIG. 3

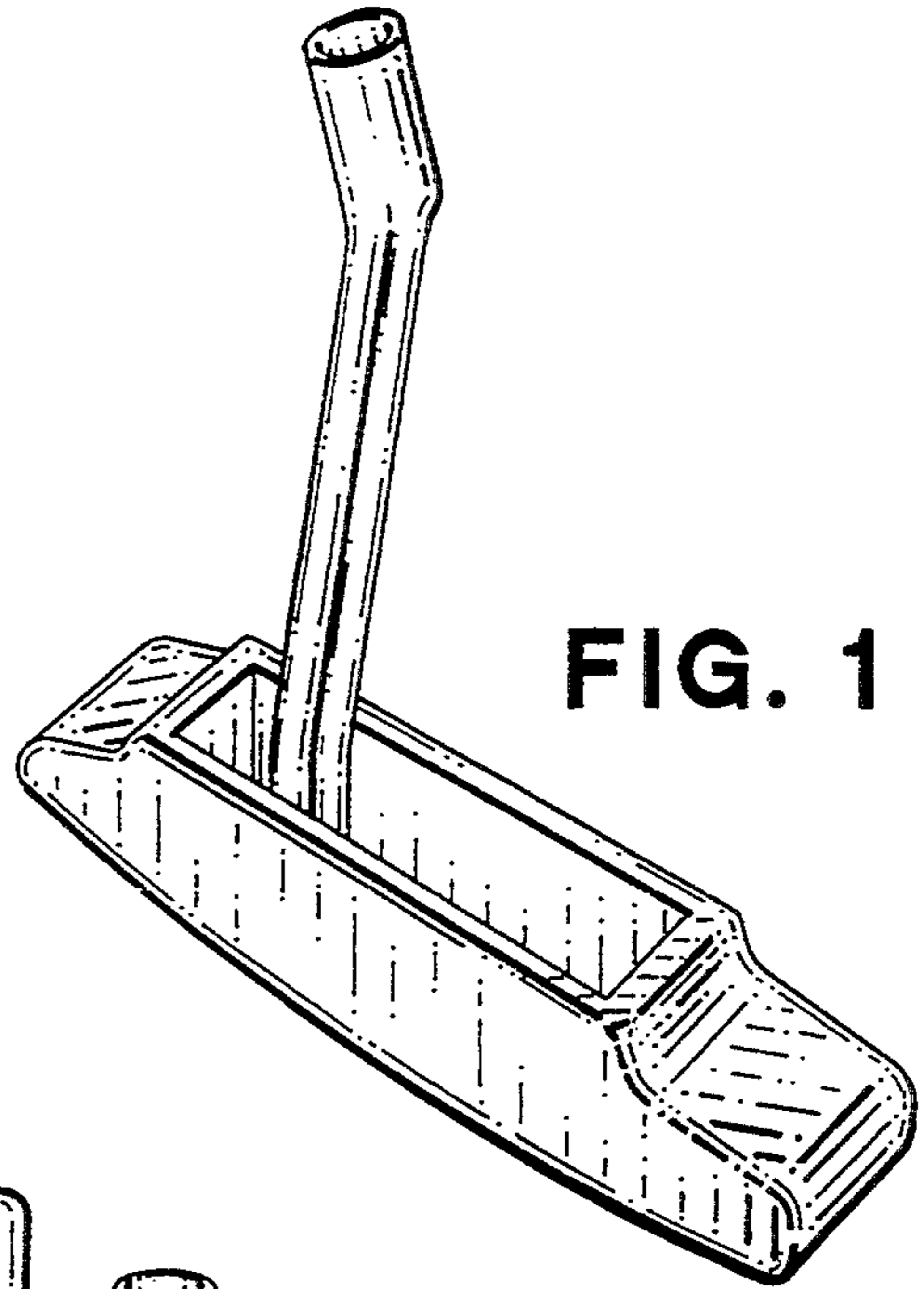


FIG. 1

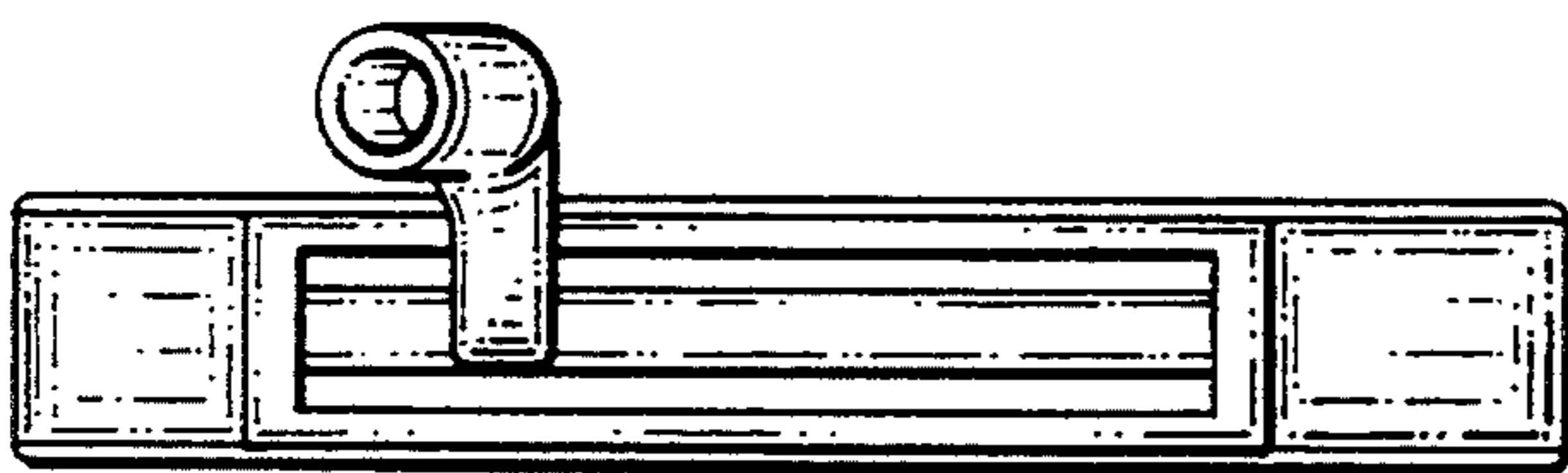


FIG. 4

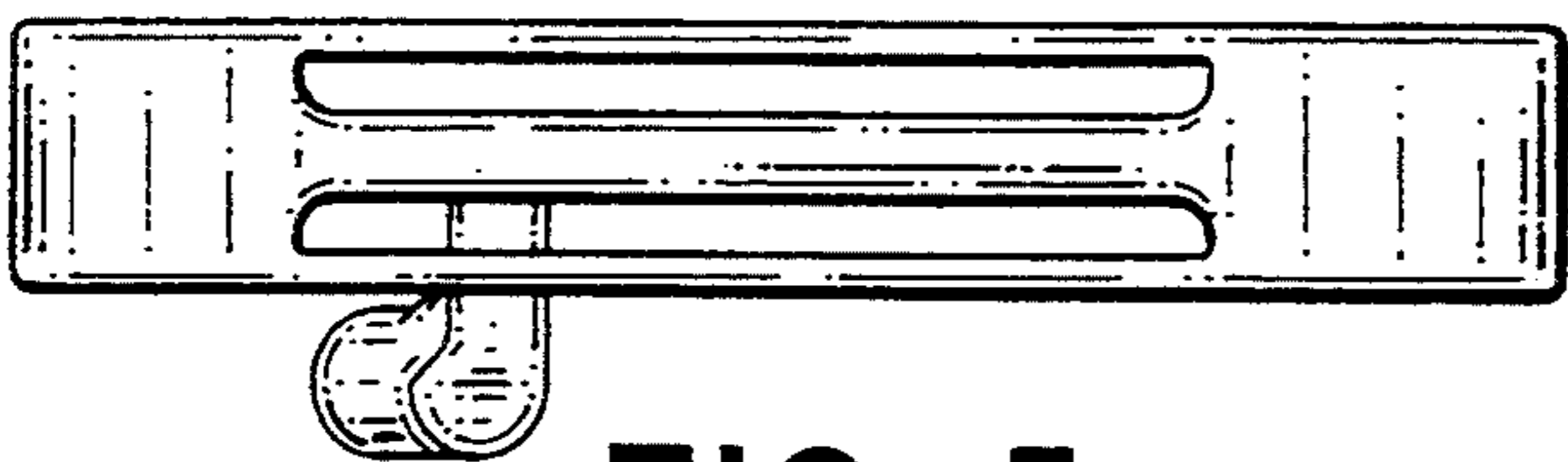


FIG. 5

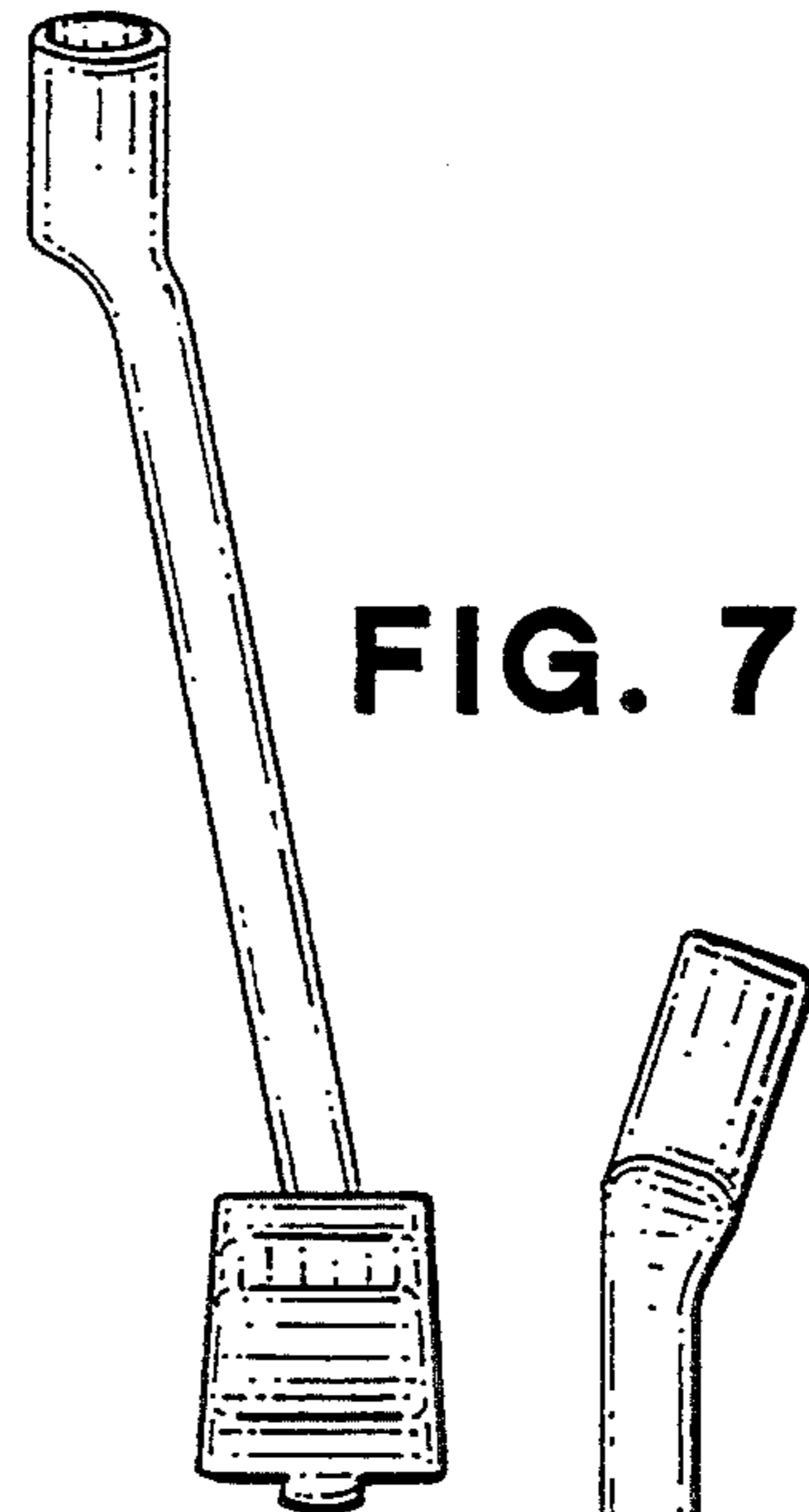


FIG. 7

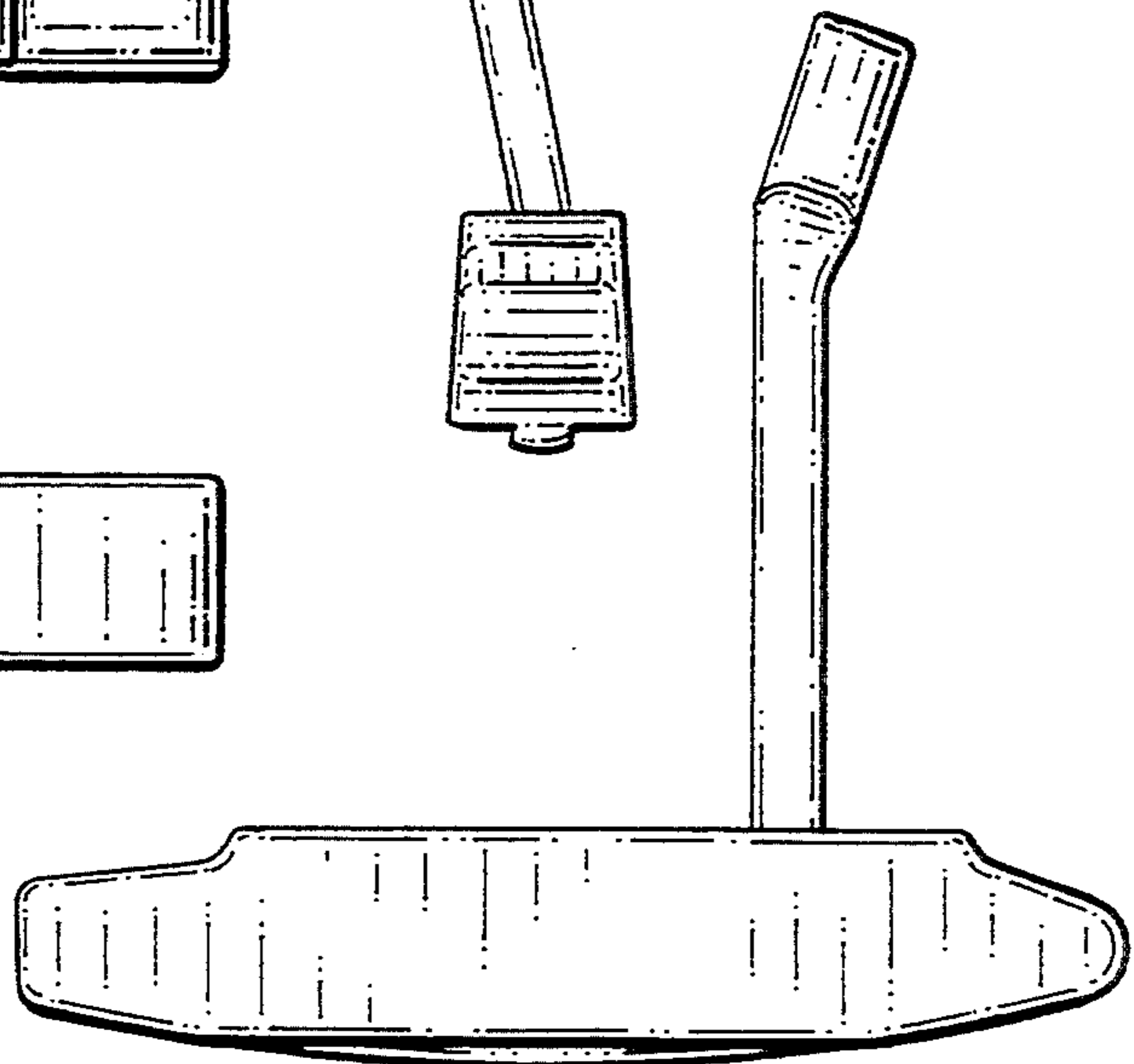


FIG. 6