



US00D360005S

United States Patent [19]

[11] Patent Number: **Des. 360,005**

Nickal et al.

[45] Date of Patent: **** Jul. 4, 1995**

[54] **BALL PITCHING UNIT**

[75] Inventors: **Calvin A. Nickal; Jeffrey J. Newhouse**, both of Boulder; **Louis R. Dilts**, Littleton; **Gregory D. Volan; Anthony M. Grieder**, both of Boulder, all of Colo.

[73] Assignee: **Boulder Product Development Corporation**, Longmont, Colo.

[**] Term: **14 Years**

[21] Appl. No.: **25,570**

[22] Filed: **Jul. 5, 1994**

[52] U.S. Cl. **D21/199**

[58] Field of Search **D21/210, 199, 2; 273/26 D, 26 R; 124/411, 49, 55, 56, 60, 79**

[56] **References Cited**

U.S. PATENT DOCUMENTS

D. 212,769	11/1968	Samuels	D21/210
D. 235,153	5/1975	Conde	D21/210
D. 312,288	11/1990	Jefferson	D21/210
2,955,823	10/1960	Chanko	273/26 D

3,930,486	1/1976	Kahelin	124/49 X
4,676,504	6/1987	Ponza	273/26 D
5,046,476	9/1991	Nozato	273/26 D X
5,097,985	3/1992	Jones	124/49 X

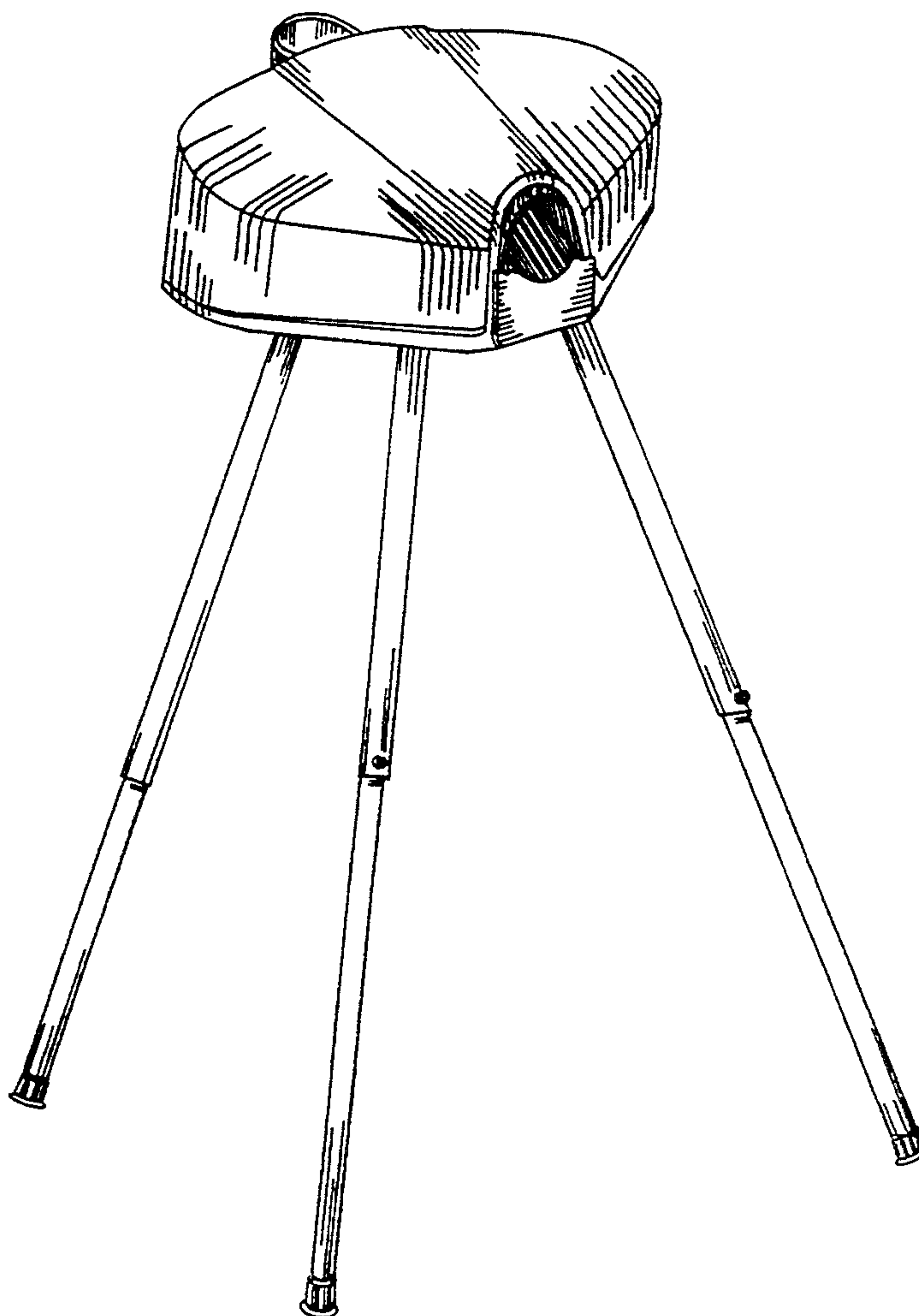
Primary Examiner—Theodore M. Shooman
Assistant Examiner—Cheri Cohen
Attorney, Agent, or Firm—Michael A. Capraro

[57] **CLAIM**

The ornamental design for a ball pitching unit, as shown and described.

DESCRIPTION

FIG. 1 is a top, front, left side perspective view of the ball pitching unit or similar article showing our design; FIG. 2 is an enlarged front elevation view thereof; FIG. 3 is an enlarged right side elevation view thereof, the left side elevation view being a mirror image thereof; FIG. 4 is an enlarged rear elevation view thereof; FIG. 5 is an enlarged top plan view thereof; and, FIG. 6 is an enlarged bottom plan view thereof. The legs are shown fragmented in FIGS. 2-6 for ease of illustration.



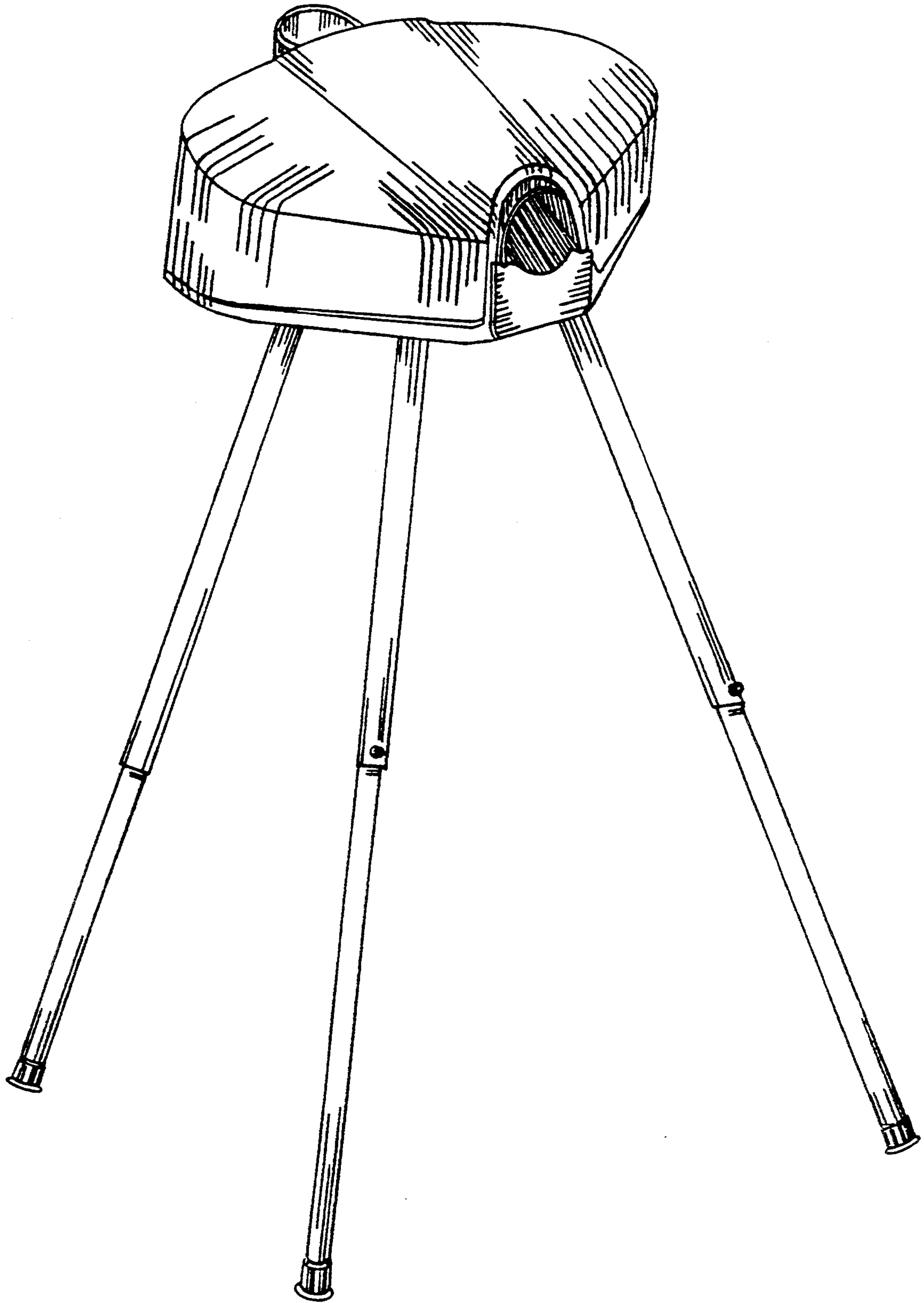


FIGURE 1

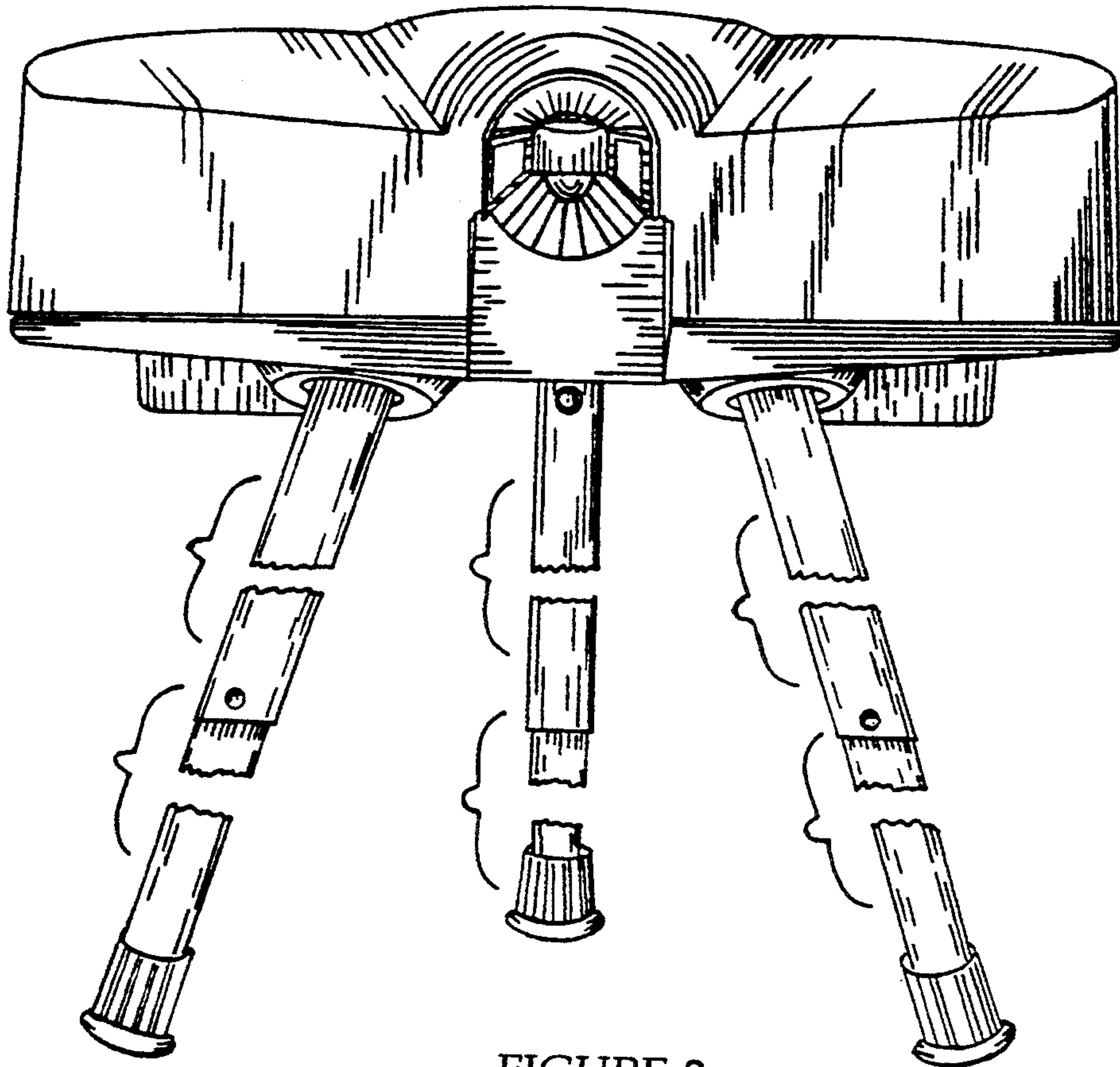


FIGURE 2

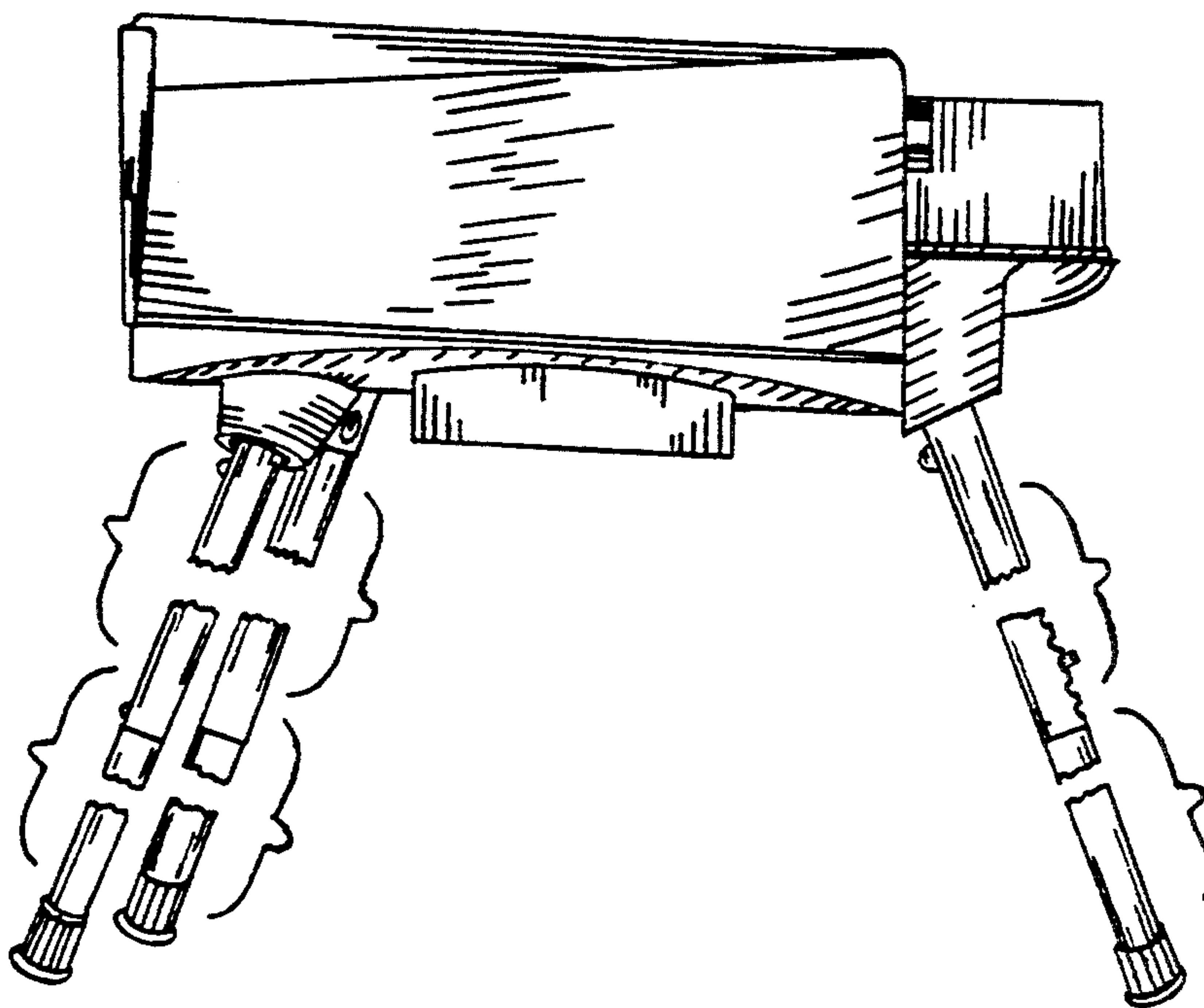


FIGURE 3

FIGURE 4

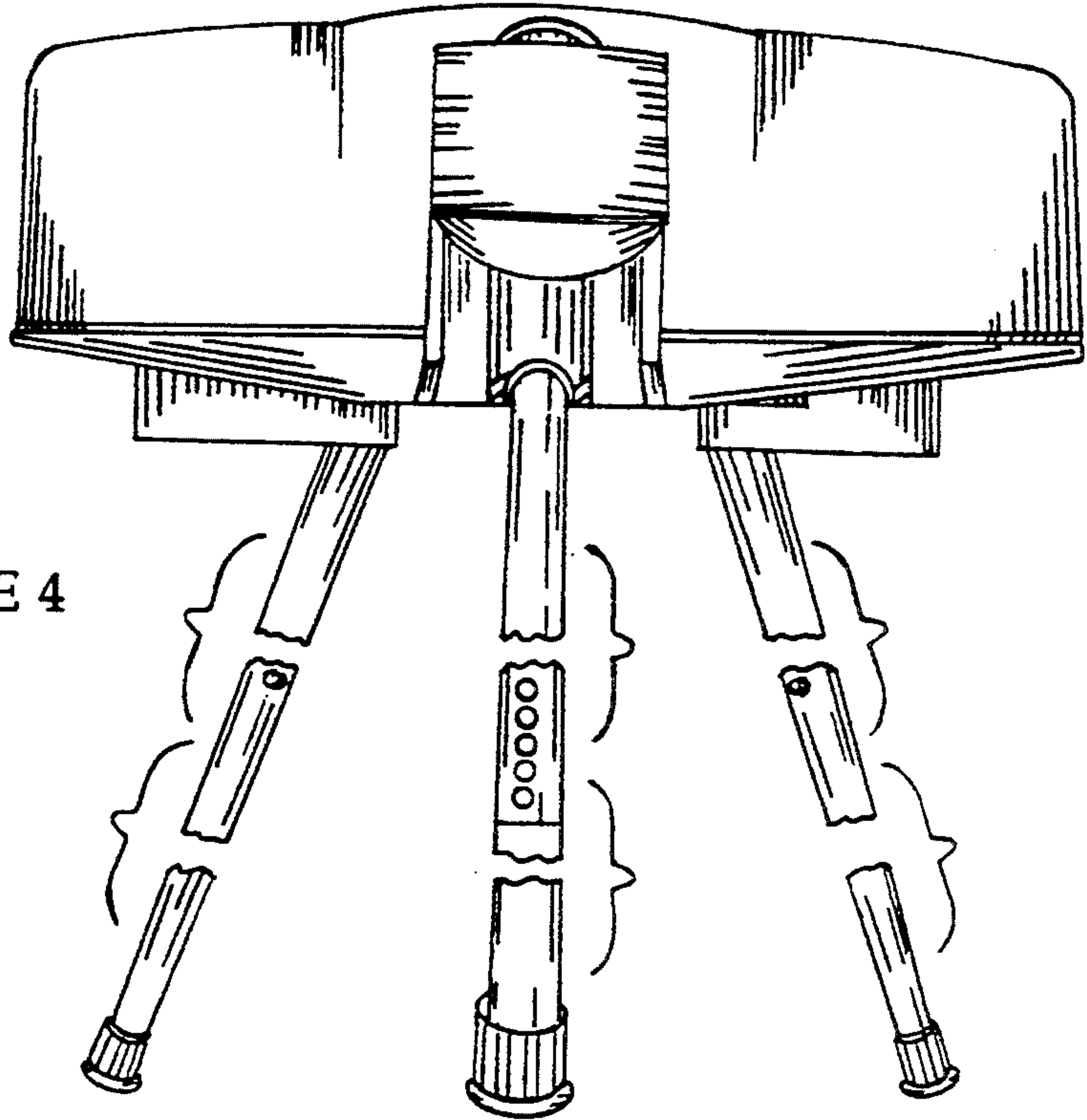
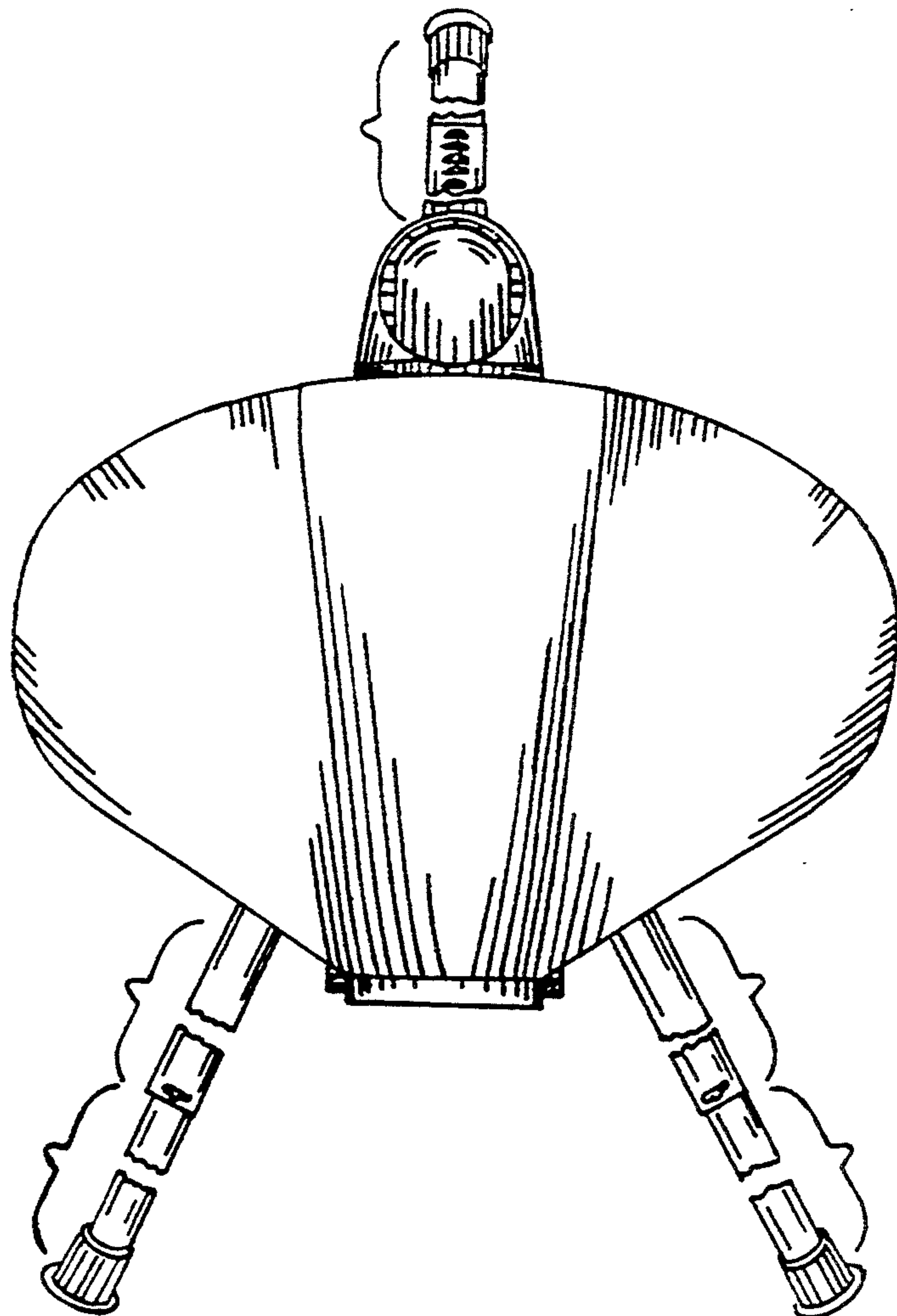


FIGURE 5



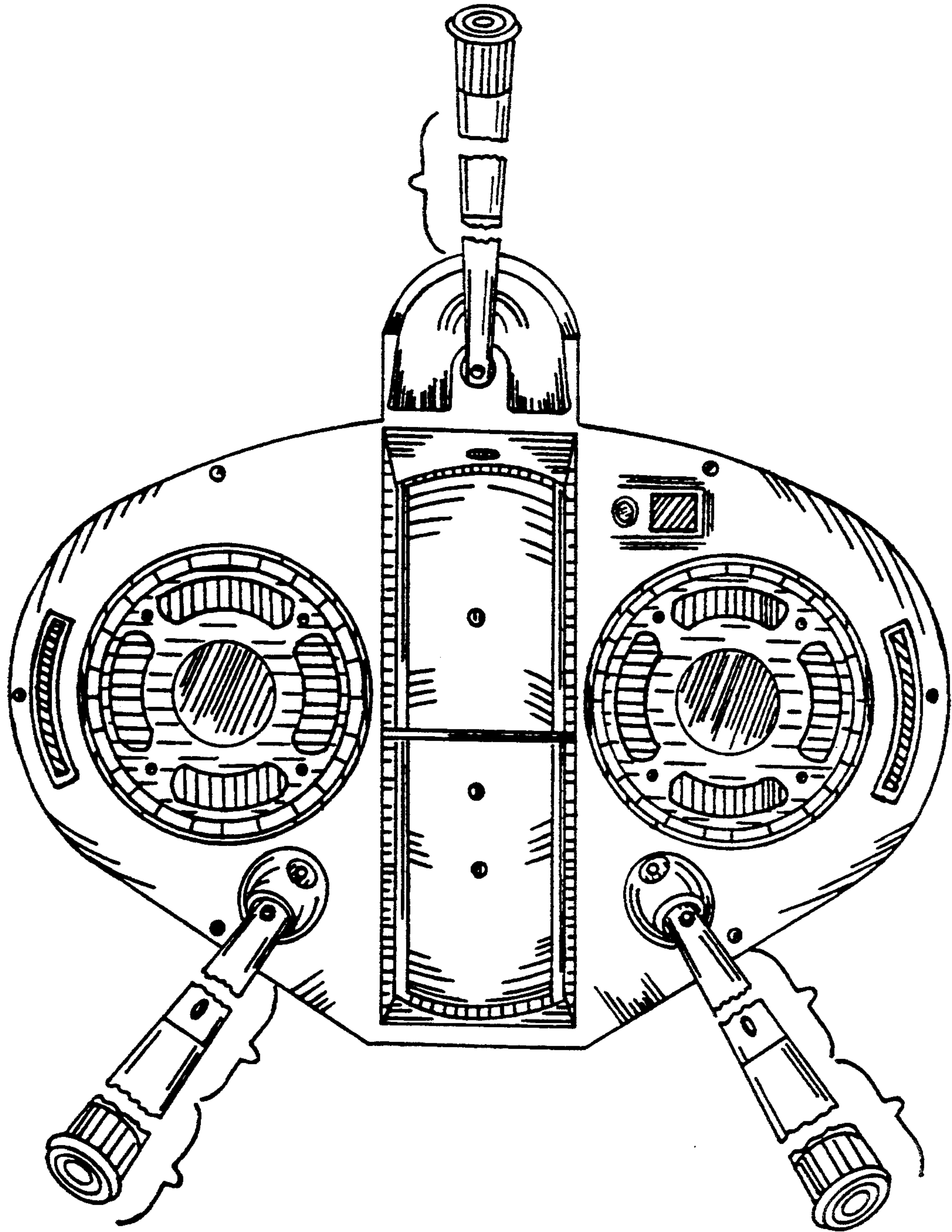


FIGURE 6