



US00D360004S

United States Patent [19]

[11] Patent Number: **Des. 360,004**

Johnson

[45] Date of Patent: **** Jul. 4, 1995**

[54] SAFETY HURDLE

4,758,195 7/1988 Walsh D21/108 X
4,892,302 1/1990 Daigle .
5,152,727 10/1992 Moore et al. 482/15

[76] Inventor: **Jerry W. Johnson**, 700 Central Ave.,
Louisville, Ky. 40208

FOREIGN PATENT DOCUMENTS

[**] Term: **14 Years**

0579998 11/1977 U.S.S.R. 482/19

[21] Appl. No.: **9,094**

OTHER PUBLICATIONS

[22] Filed: **Jun. 3, 1993**

J.D. Acrylics, "Sign Holders", Recorded Aug. 31,
1983, p. 15.

[52] U.S. Cl. **D21/199**

"Gill Sports" catalogue publication, date unknown.

[58] Field of Search D21/199, 108; 482/14,
482/15, 19; D19/34.1-34.5, 59, 108; D16/128;
D8/354, 323, 14 329; 211/42, 43, 183; 281/45;
D25/112-113, 138, 119; D6/314, 300, 310;
D99/17

Primary Examiner—Theodore M. Shooman
Assistant Examiner—Cheri Cohen
Attorney, Agent, or Firm—Middleton & Reutlinger;
David W. Carrithers

[56] References Cited

[57] CLAIM

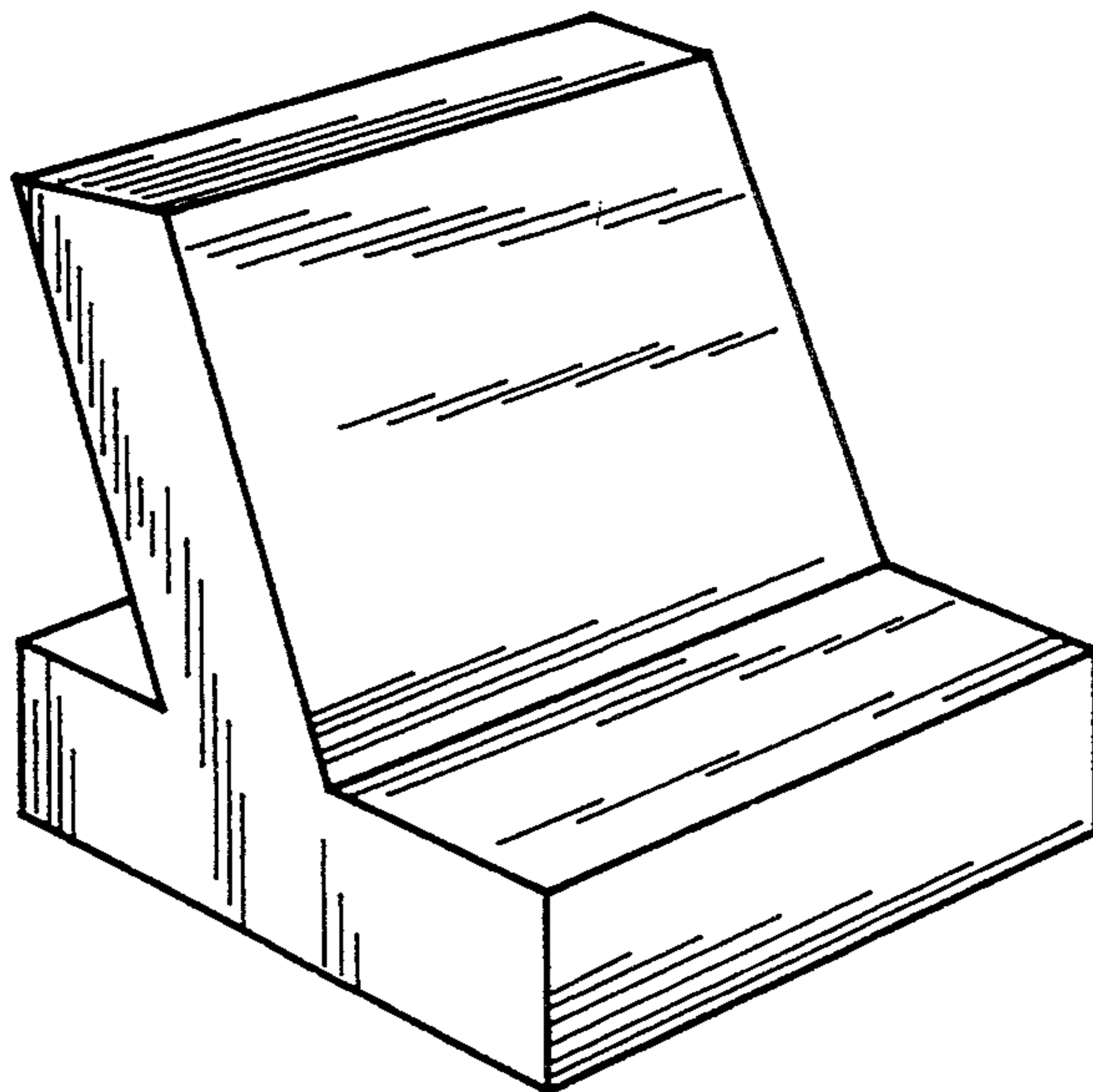
U.S. PATENT DOCUMENTS

The ornamental design for a safety hurdle, as shown
and described.

- D. 278,109 3/1985 Leeds D6/314 X
- D. 293,009 12/1987 Pieniniemi D21/199
- D. 319,150 8/1991 Biddlecom D6/314
- 1,607,650 11/1926 Smith .
- 2,017,518 10/1935 Wagner 211/43 X
- 2,224,530 12/1940 Weinstein 211/43
- 3,272,183 9/1966 Craighead et al. 248/441.1 X
- 3,513,491 5/1970 Gordon .
- 3,628,790 12/1971 Gordon .
- 3,965,507 6/1976 Reiland .
- 4,008,892 2/1977 Nissen 482/14 X
- 4,442,617 4/1984 Frye et al. D6/314 X

DESCRIPTION

FIG. 1 is a perspective view of a safety hurdle showing
my new design;
FIG. 2 is a top plan view thereof;
FIG. 3 is a bottom plan view thereof;
FIG. 4 is a front elevational view thereof;
FIG. 5 is a rear elevational view thereof;
FIG. 6 is a left side elevational view thereof; and,
FIG. 7 is a right side elevational view thereof.



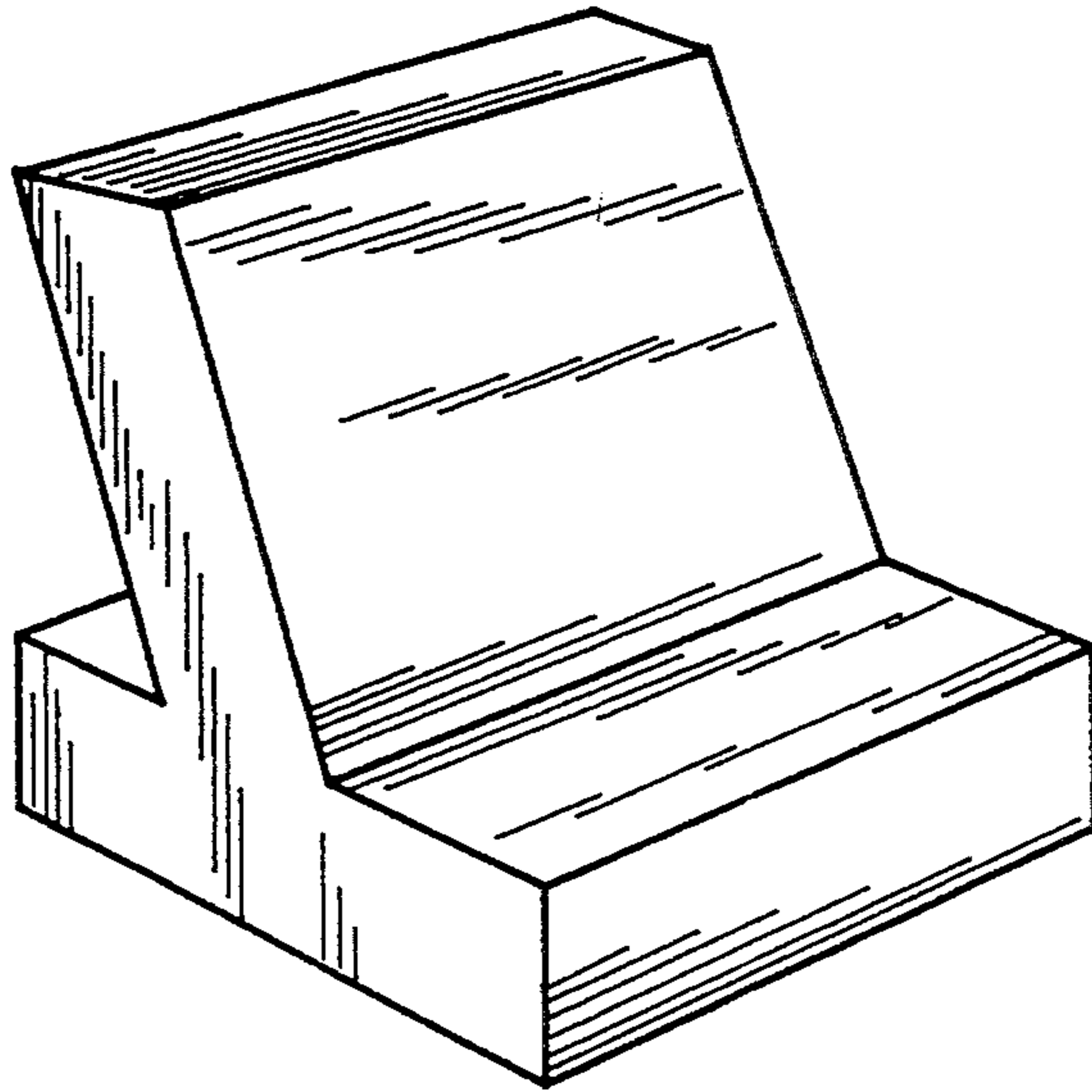


FIG. 1

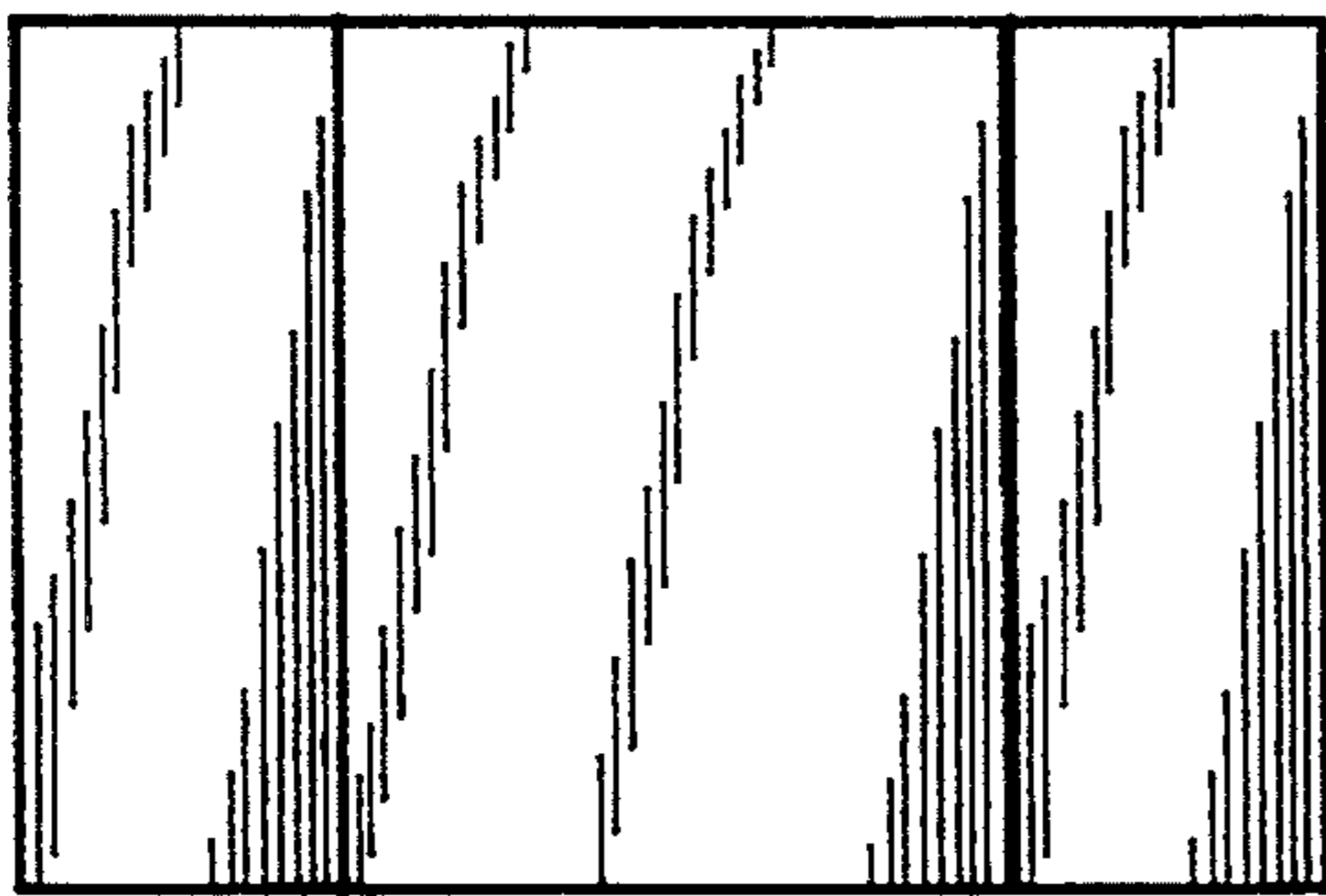


FIG. 2

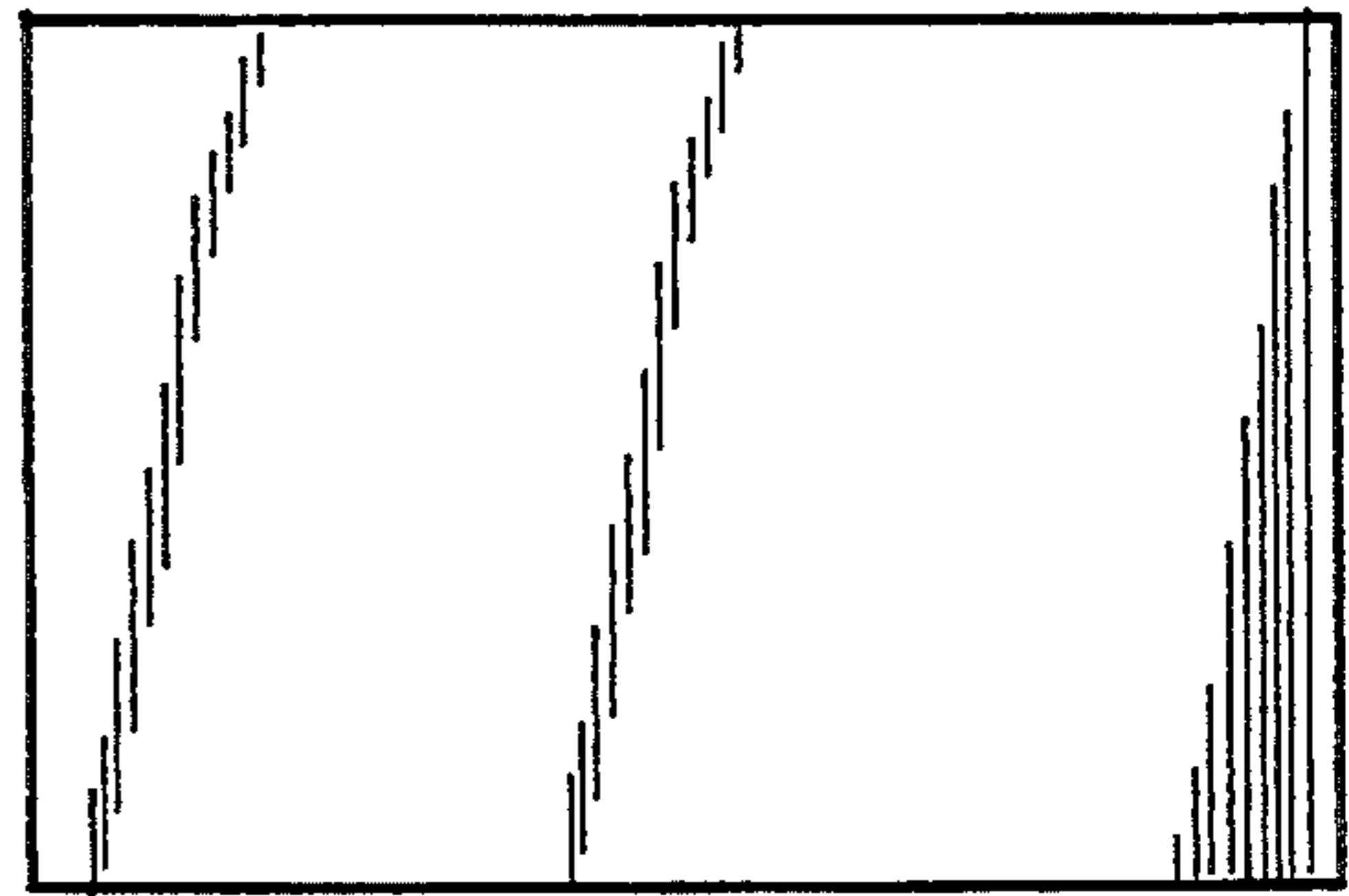


FIG. 3

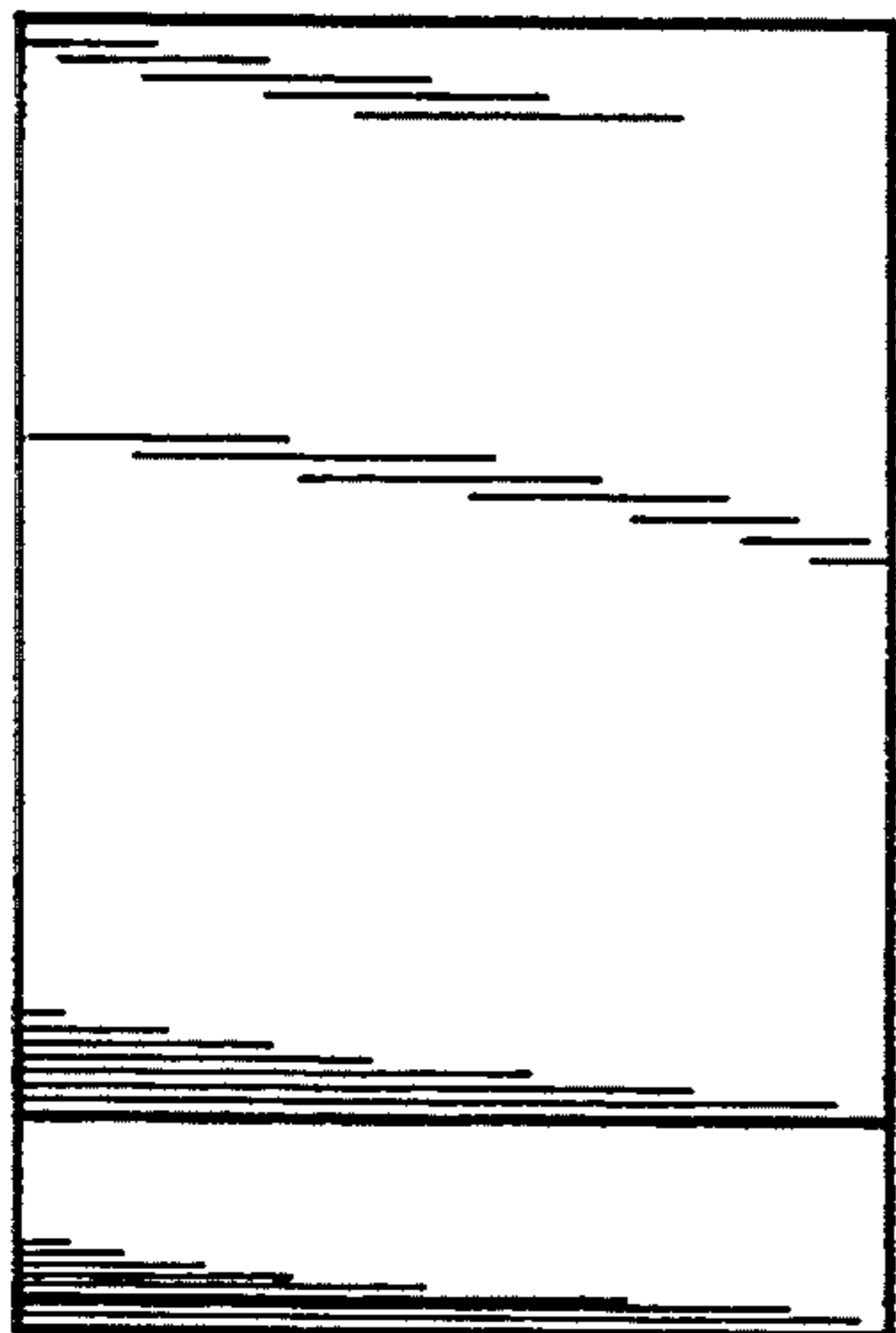


FIG. 4

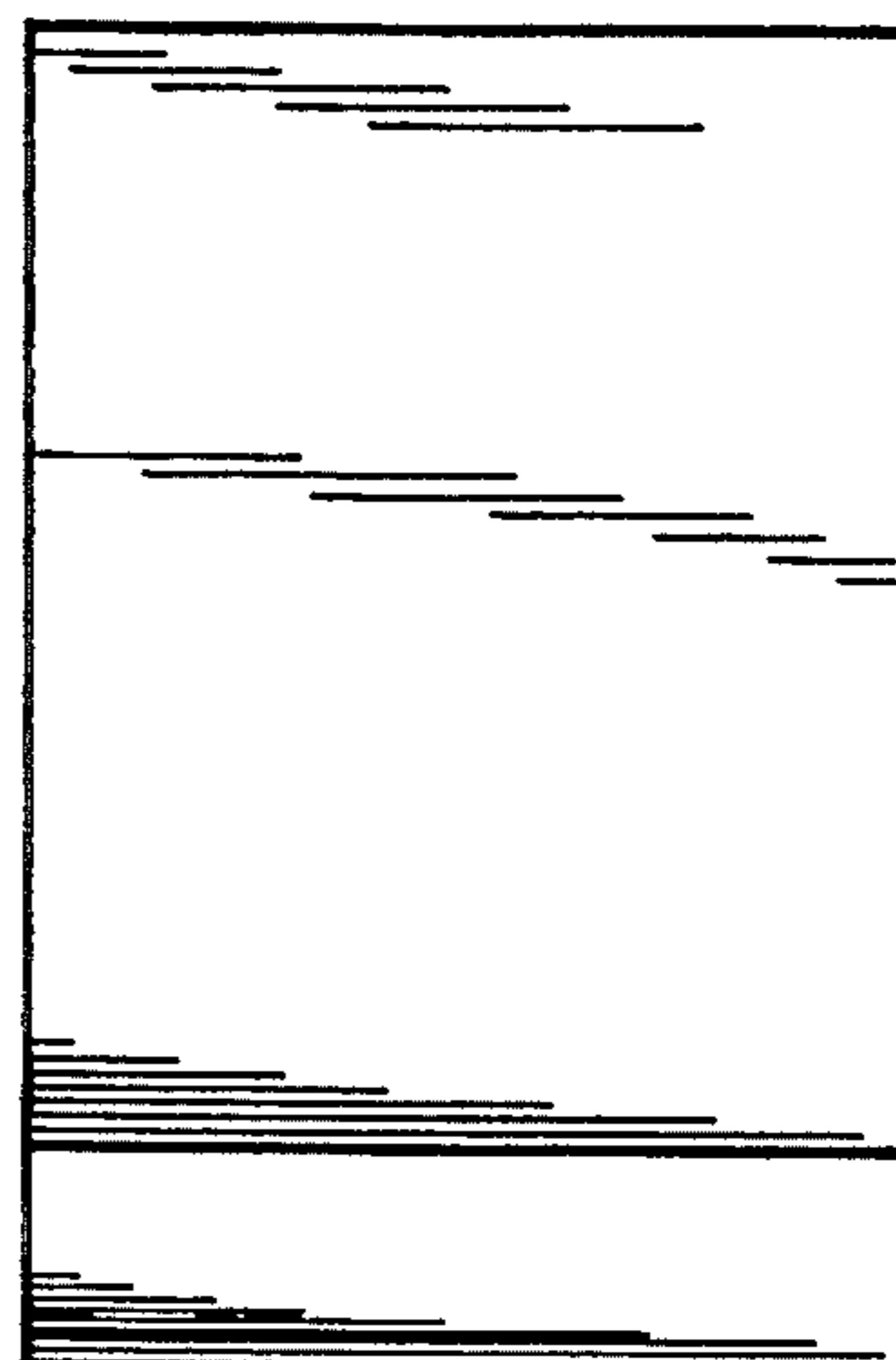


FIG. 5

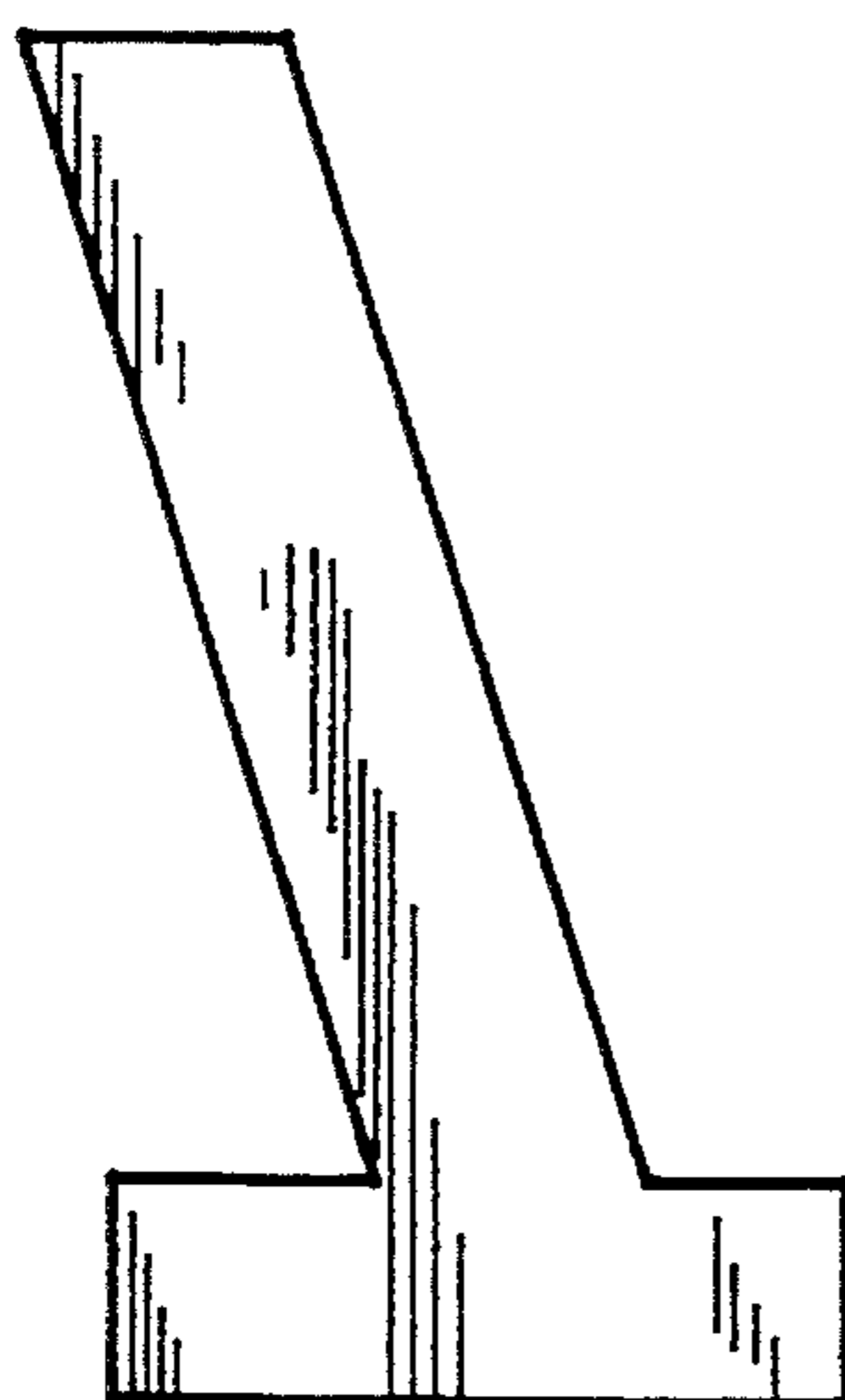


FIG. 6

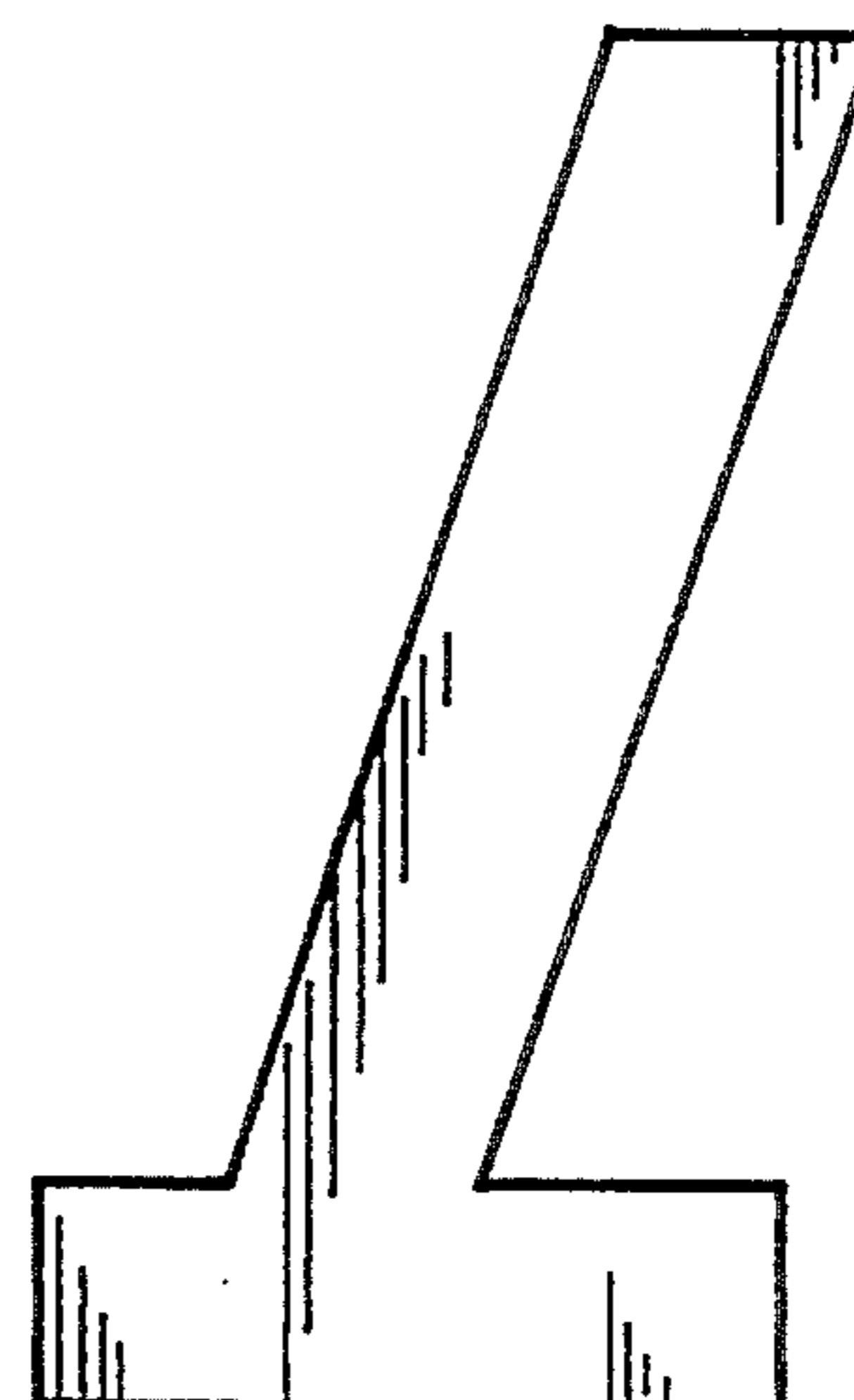


FIG. 7