



US00D360003S

United States Patent [19]

[11] Patent Number: **Des. 360,003**

Henes

[45] Date of Patent: **** Jul. 4, 1995**

[54] **BENCH PRESS EXERCISE MACHINE**

4,915,377 4/1990 Malnke et al. 482/98

[76] Inventor: **Richard W. Henes, 5816 E. Mockingbird La., Paradise Valley, Ariz. 85253**

Primary Examiner—Theodore M. Shooman
Assistant Examiner—Philip Hyder
Attorney, Agent, or Firm—Warren F. B. Lindsley

[**] Term: **14 Years**

[57] **CLAIM**

[21] Appl. No.: **21,431**

The ornamental design for a bench press exercise machine, as shown and described.

[22] Filed: **Apr. 18, 1994**

DESCRIPTION

[52] U.S. Cl. **D21/195**

FIG. 1 is a perspective front, left and top view of a bench press exercise machine and embodying the new design;

[58] Field of Search **D21/191, 195; 482/92, 482/93, 94, 95, 96, 97, 98, 138**

FIG. 2 is a top plan view of the exercising apparatus shown in FIG. 1;

[56] **References Cited**

U.S. PATENT DOCUMENTS

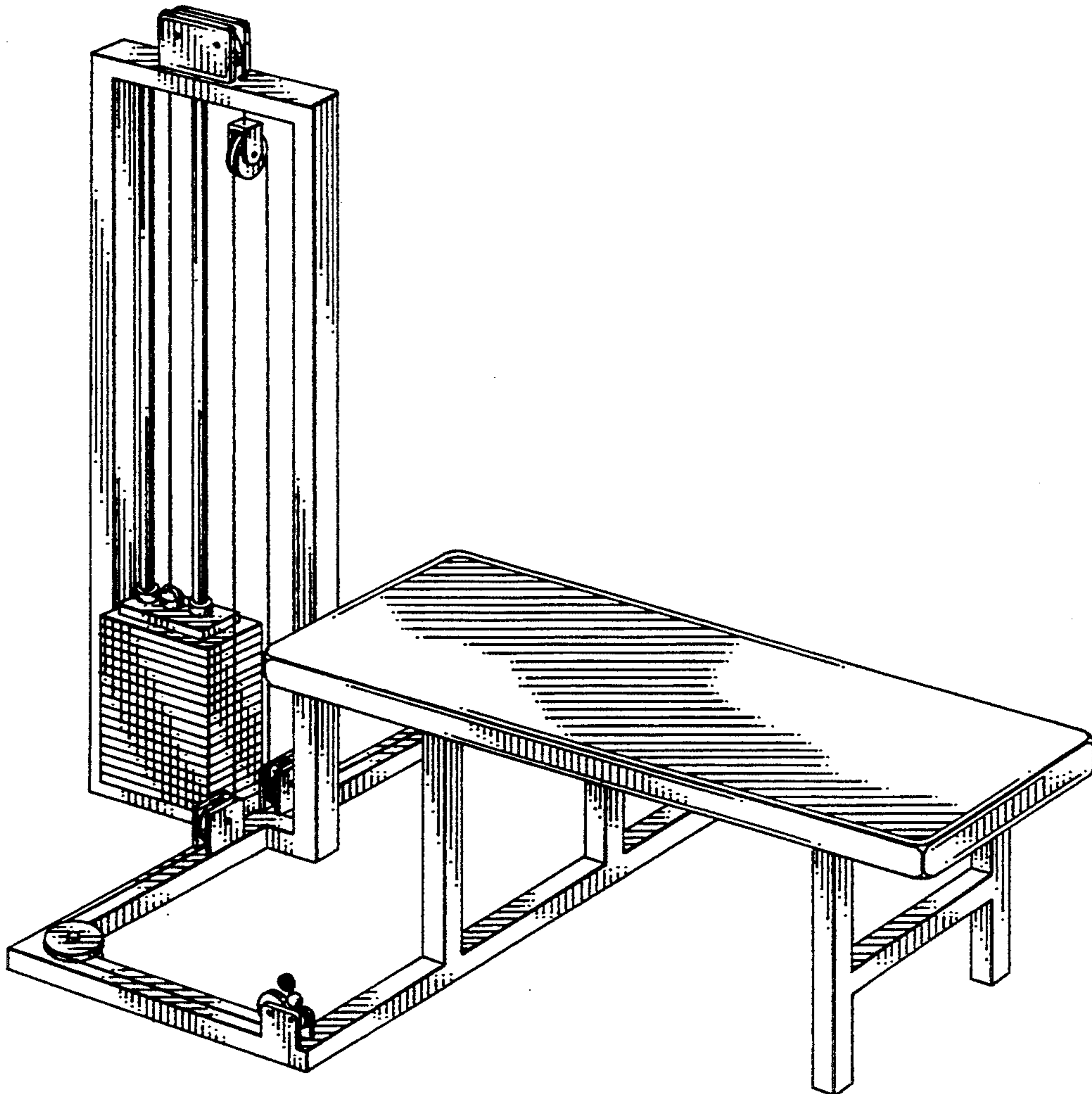
D. 288,224	2/1987	Rockwell	D21/195
D. 288,451	2/1987	Irvine et al.	D21/195
3,524,644	8/1970	Kane	482/38
4,010,947	3/1977	Lambert, Sr.	482/98
4,470,596	9/1984	Desiderio	482/98
4,691,916	9/1987	Voris	482/98
4,784,384	11/1988	Deola	482/138

FIG. 3 is a bottom view of the exercising apparatus shown in FIG. 1;

FIG. 4 is a front elevational view of the exercising apparatus shown in FIG. 1;

FIG. 5 is a rear elevational view of the exercising apparatus shown in FIG. 1; and,

FIG. 6 is a right side elevational view of the exercising apparatus shown in FIG. 1.



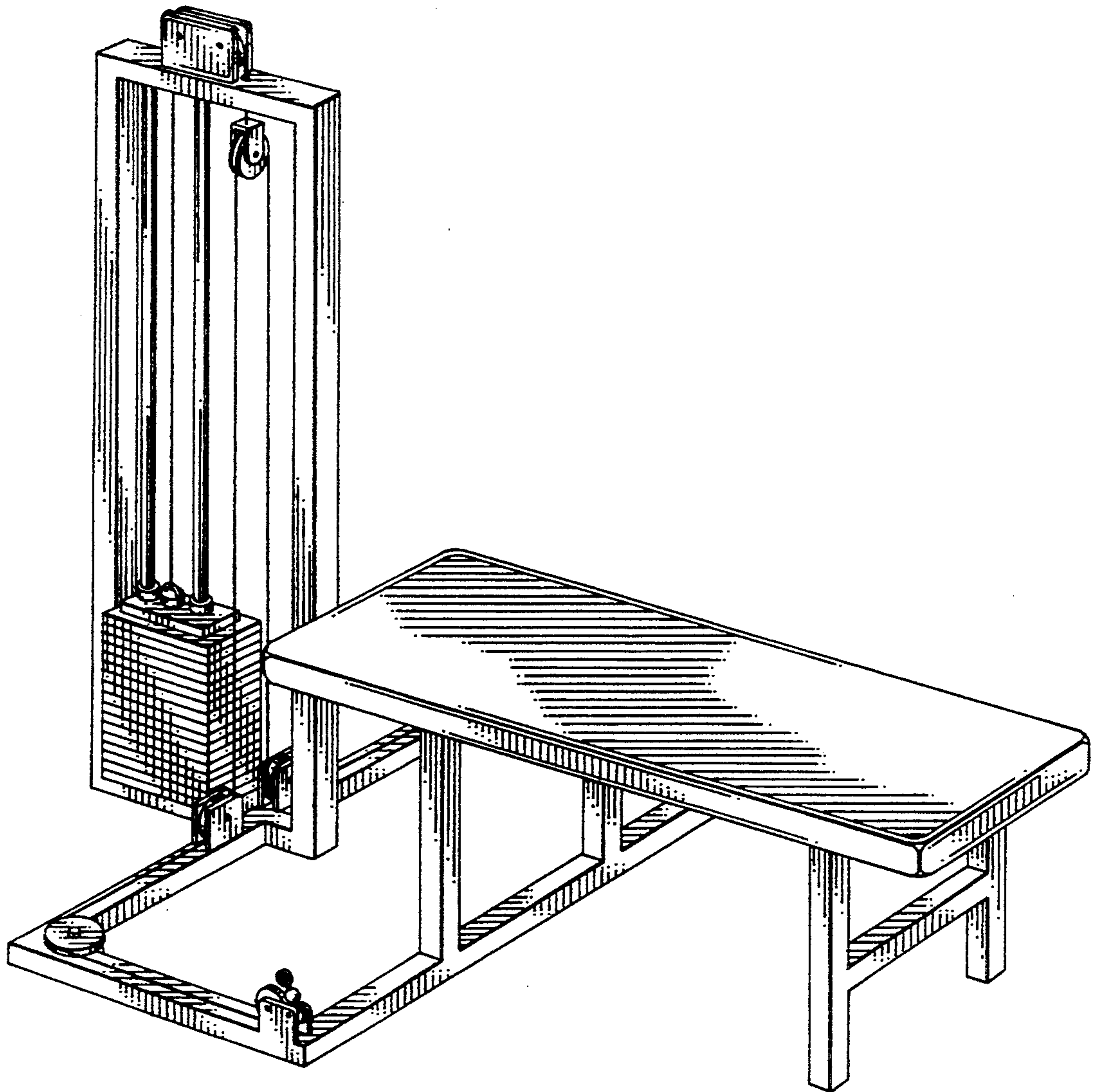


FIG. 1

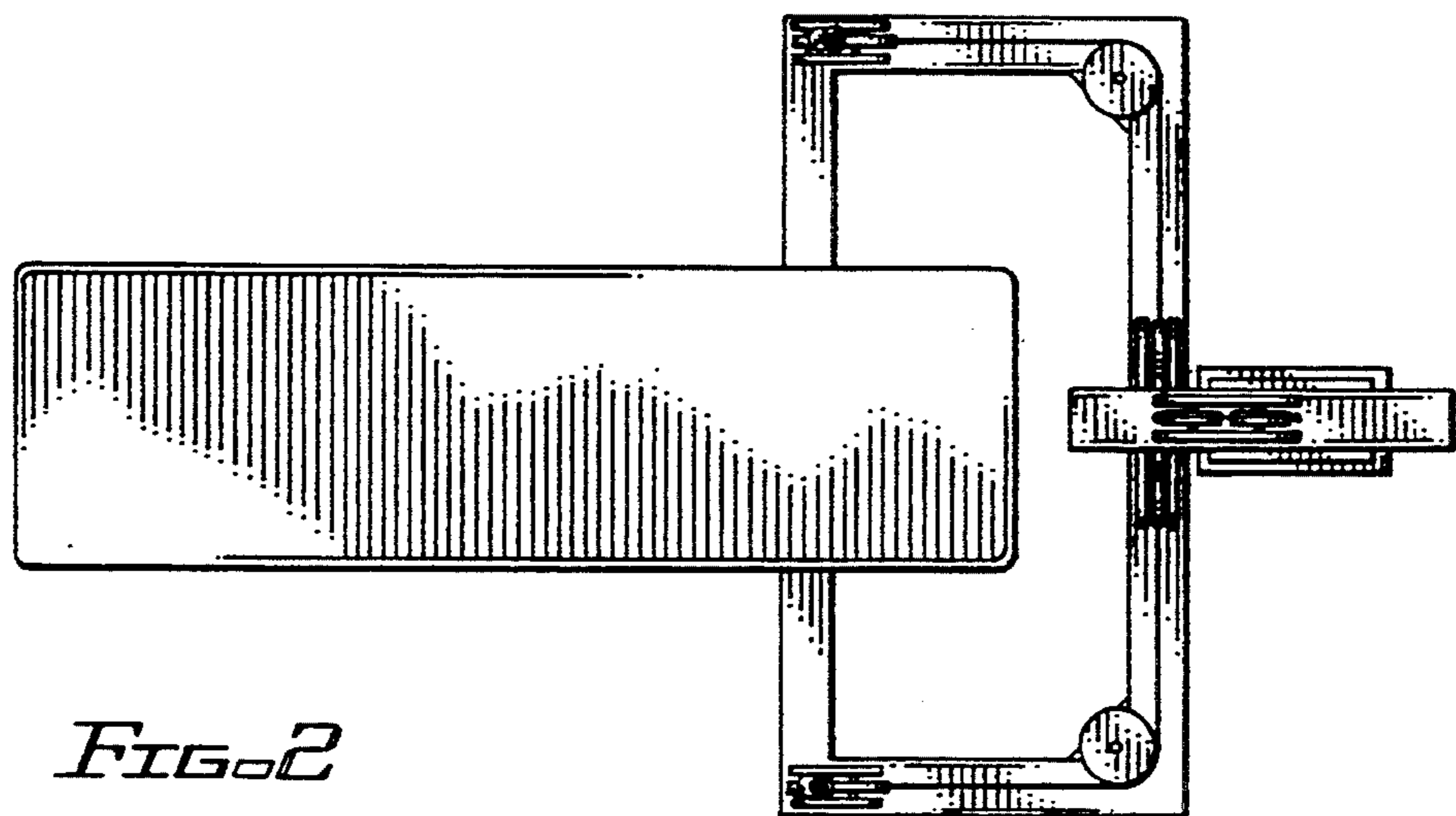


FIG. 2

FIG. 3

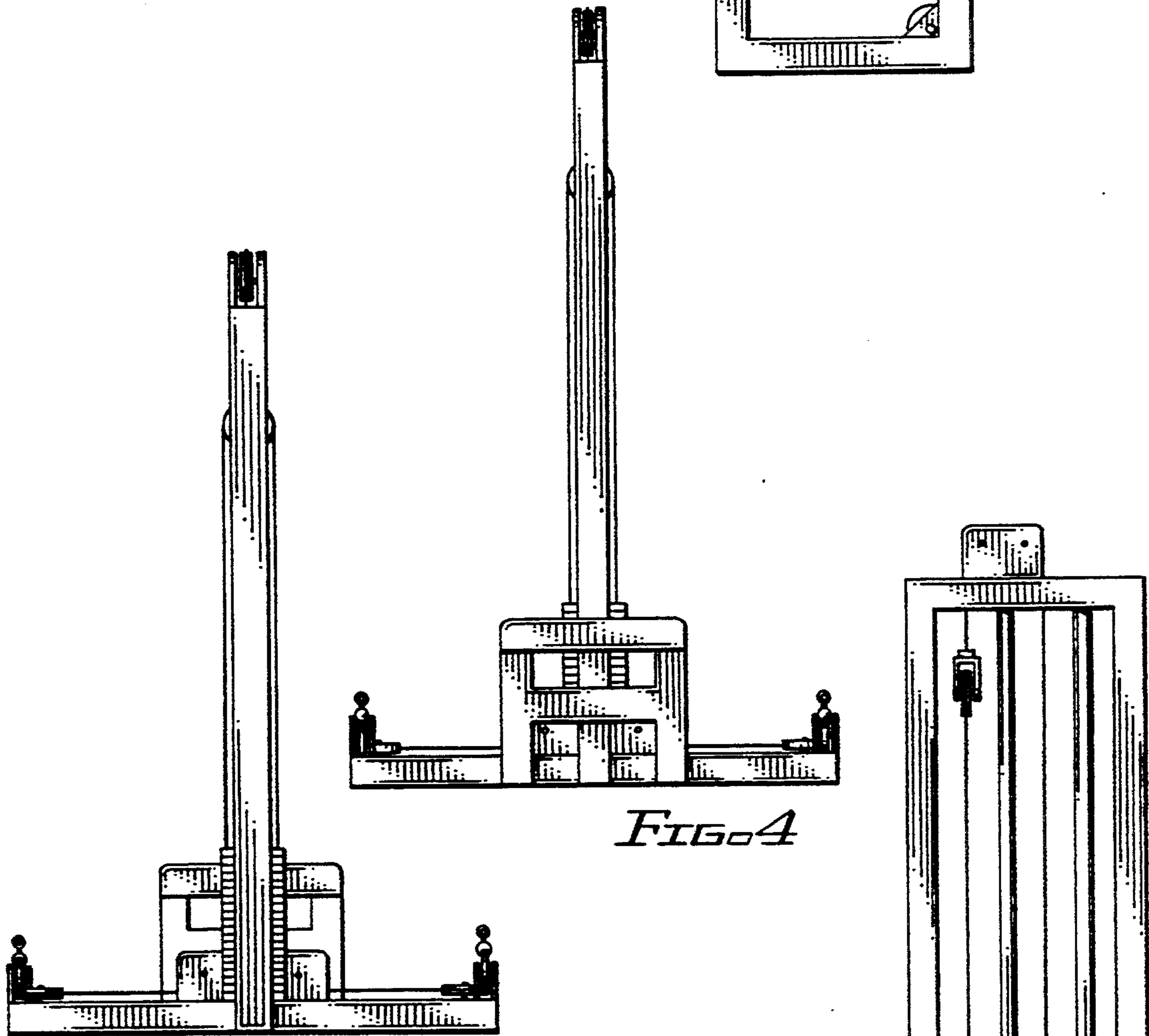
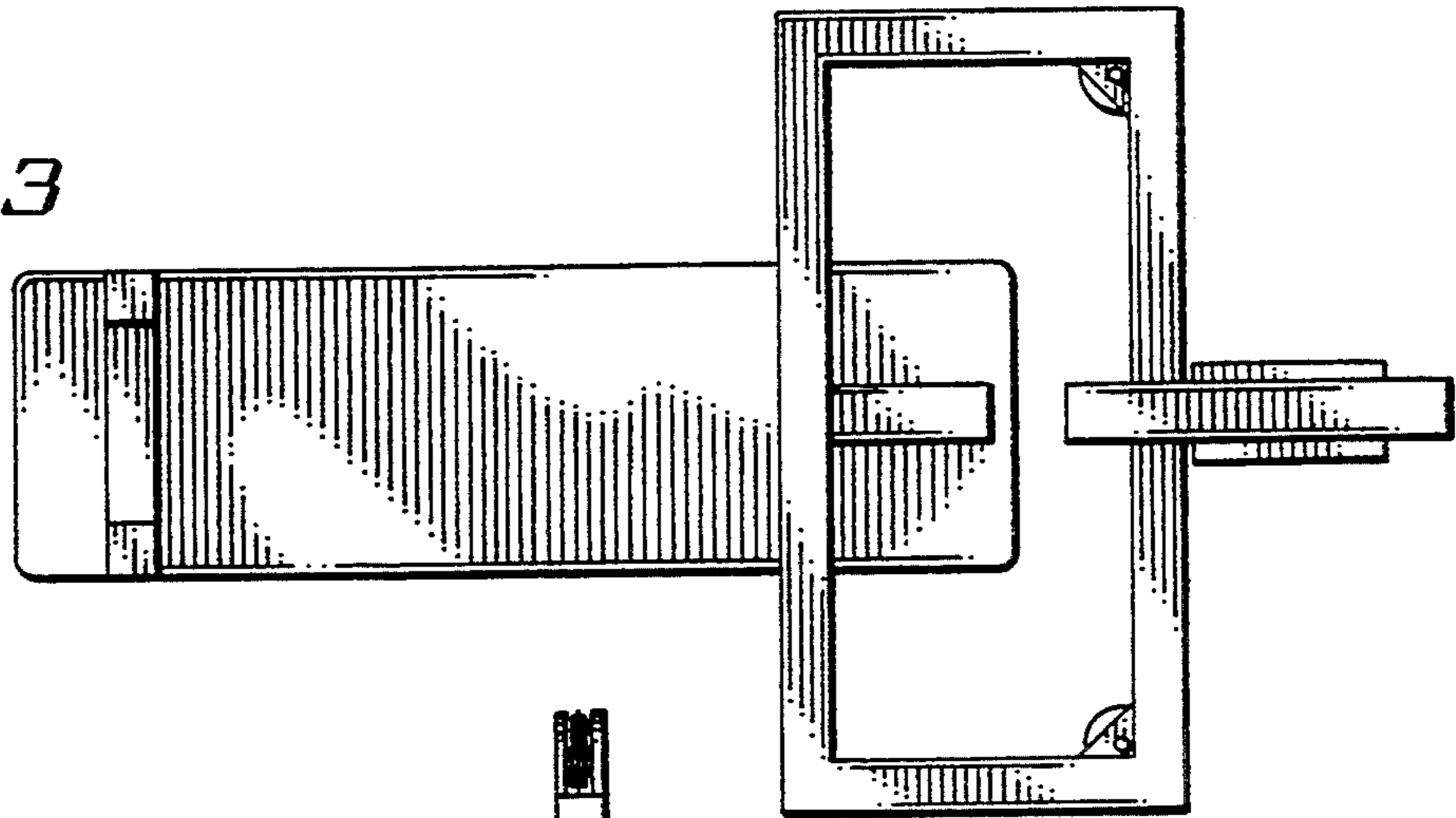


FIG. 4

FIG. 5

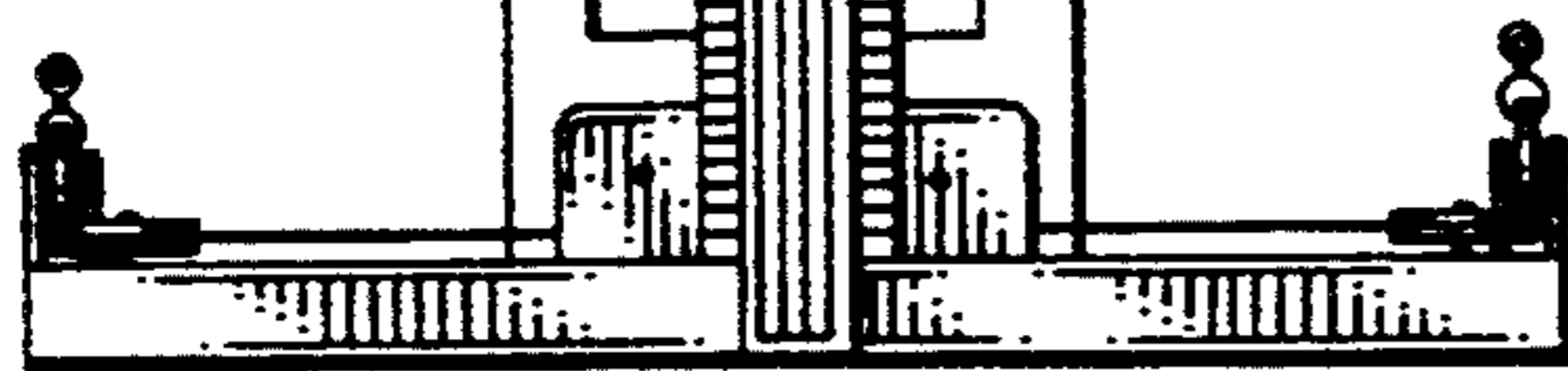


FIG. 6

