



US00D360002S

# United States Patent [19]

[11] Patent Number: **Des. 360,002**

Wu

[45] Date of Patent: **\*\* Jul. 4, 1995**

[54] **EXERCISE BIKE**

[76] Inventor: **Mu-Chuan Wu**, No. 462-7, Chung Shan Road, Hsi Kang Hsiang, Tainan Hsien, Taiwan

- D. 307,928 5/1990 Meisner ..... D21/194
- D. 309,337 7/1990 Yang ..... D21/194
- D. 323,368 1/1992 Whitesel ..... D21/194
- D. 338,509 8/1993 Gustafsson ..... D21/194

[\*\*] Term: **14 Years**

*Primary Examiner*—Theodore M. Shooman  
*Assistant Examiner*—Philip Hyder  
*Attorney, Agent, or Firm*—Pro-Techtor International

[21] Appl. No.: **17,195**

[22] Filed: **Jan. 6, 1994**

[52] U.S. Cl. .... **D21/194**

[58] Field of Search ..... D21/191, 194, 195;  
482/57, 58, 59

## [57] CLAIM

The ornamental design for an exercise bike, as shown.

## DESCRIPTION

FIG. 1 is a perspective view of an exercise bike showing my new design;

FIG. 2 is a front elevational view thereof;

FIG. 3 is a rear elevational view thereof;

FIG. 4 is a left elevational view thereof;

FIG. 5 is a right elevational view thereof;

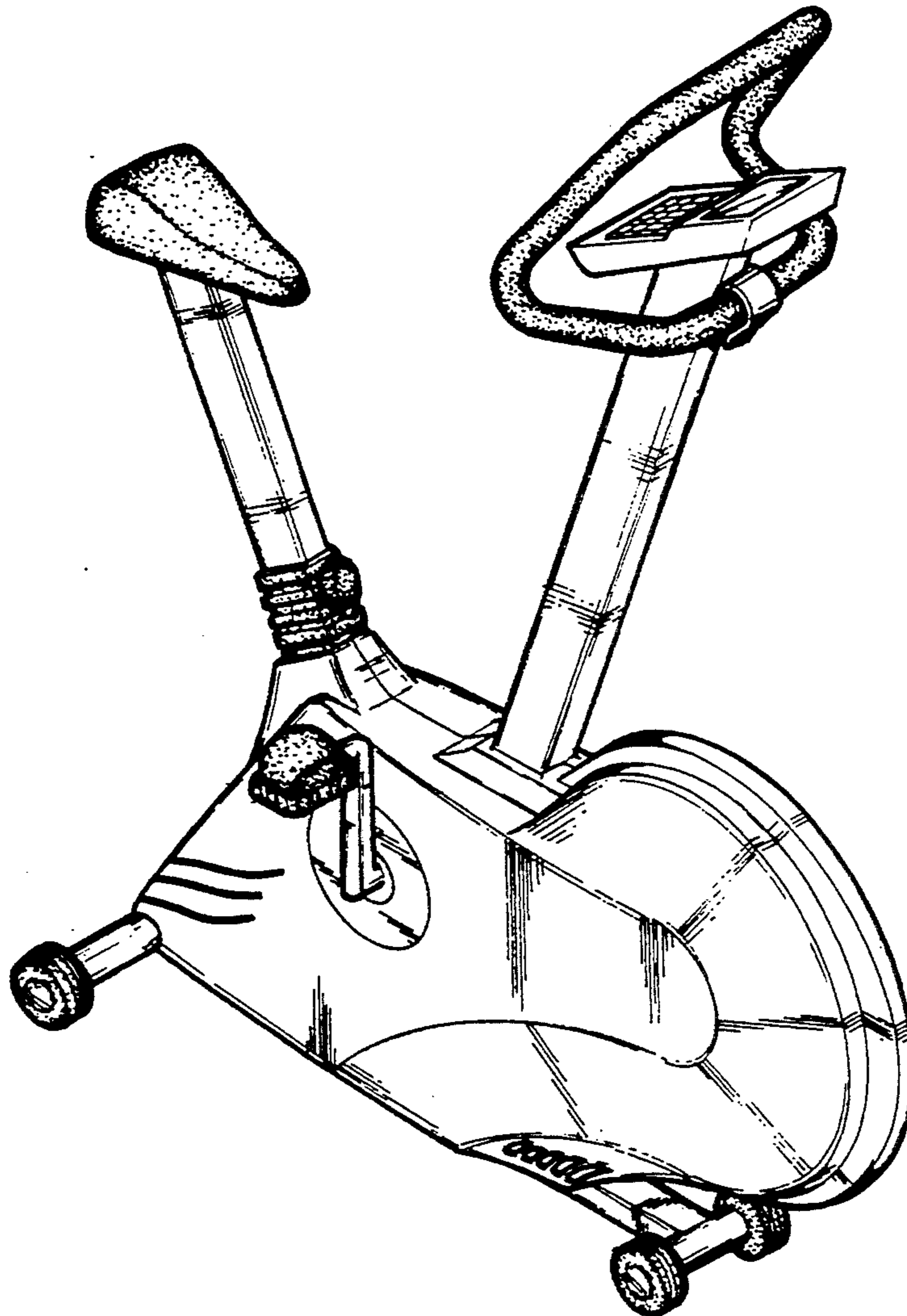
FIG. 6 is a top plan view thereof; and,

FIG. 7 is a bottom plan view.

## [56] References Cited

### U.S. PATENT DOCUMENTS

- D. 280,923 10/1985 Smith et al. .... D21/194
- D. 281,520 11/1985 Kiiski ..... D21/194
- D. 290,149 6/1987 Nakao et al. .... D21/194
- D. 301,160 5/1989 Hung ..... D21/194



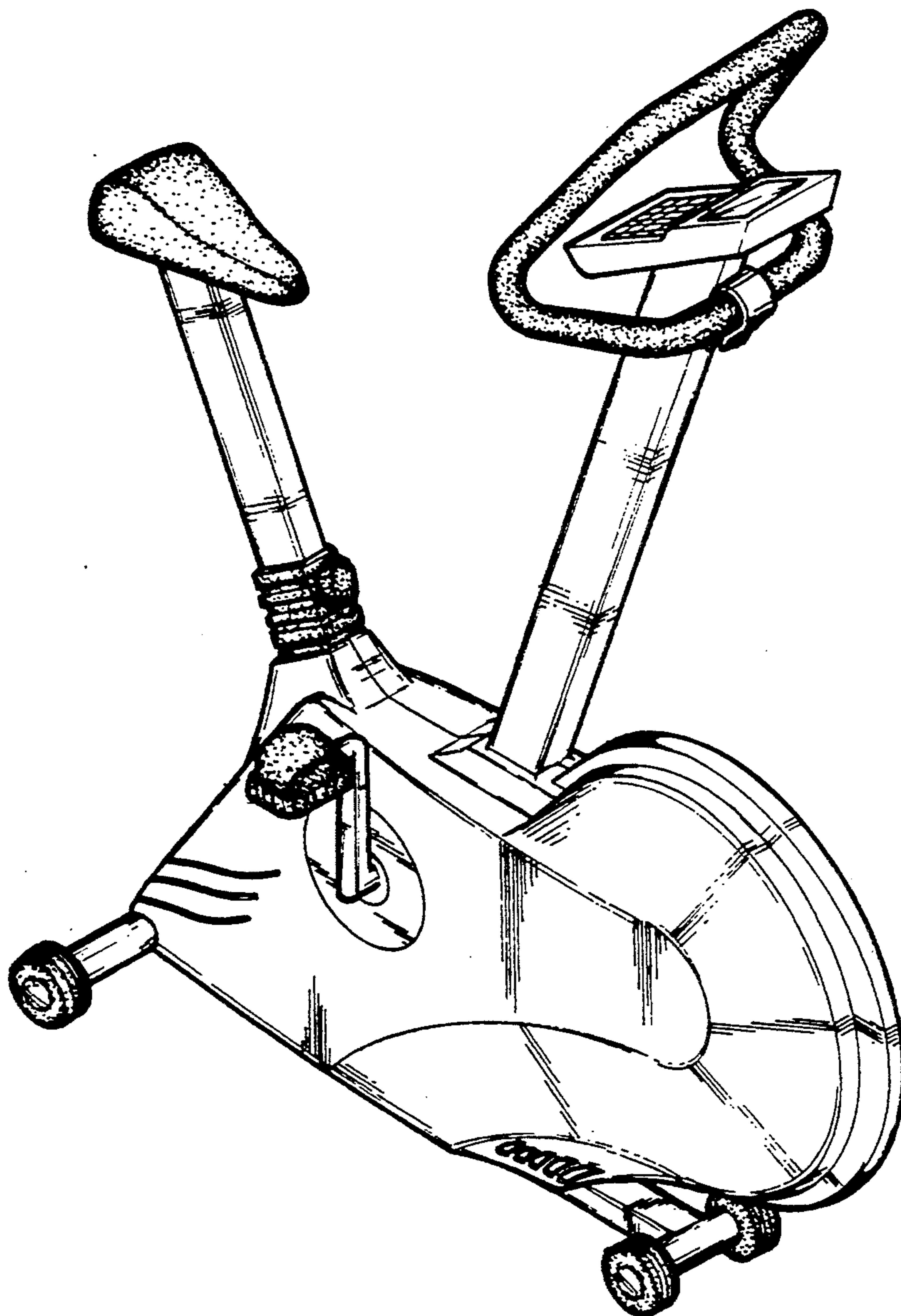


FIG 1.

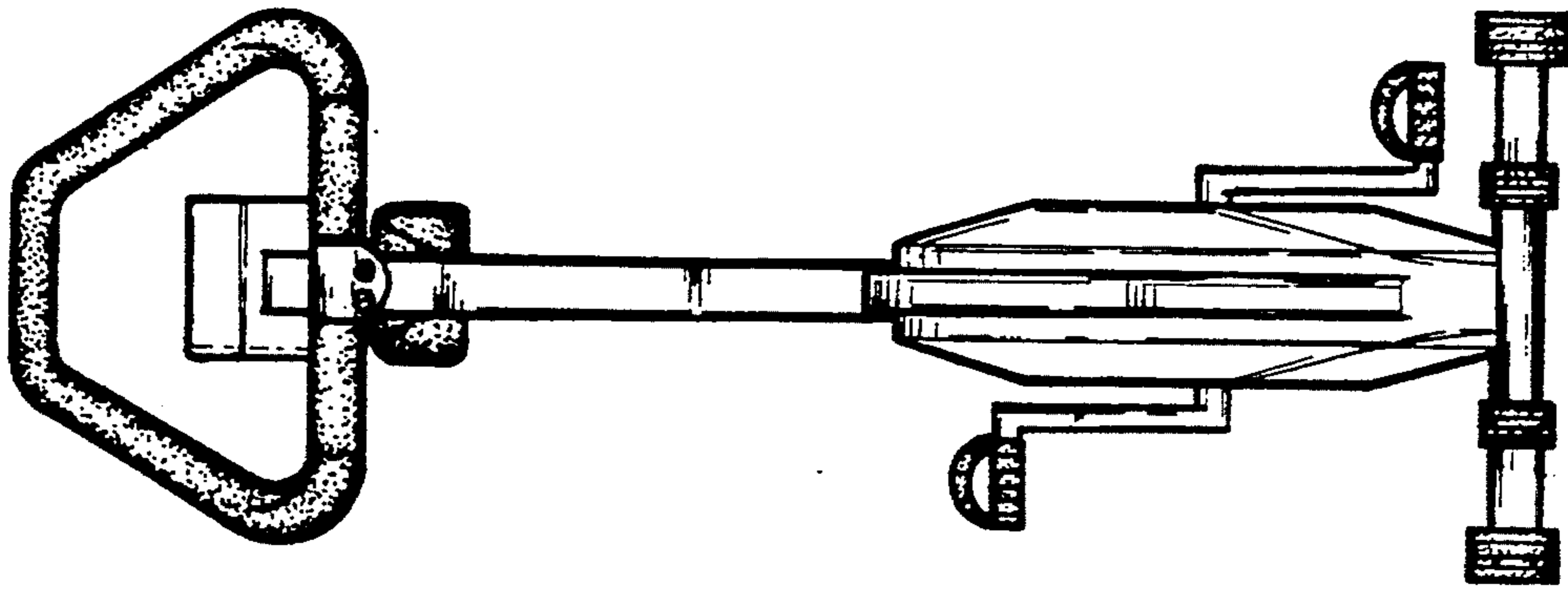


FIG. 2.

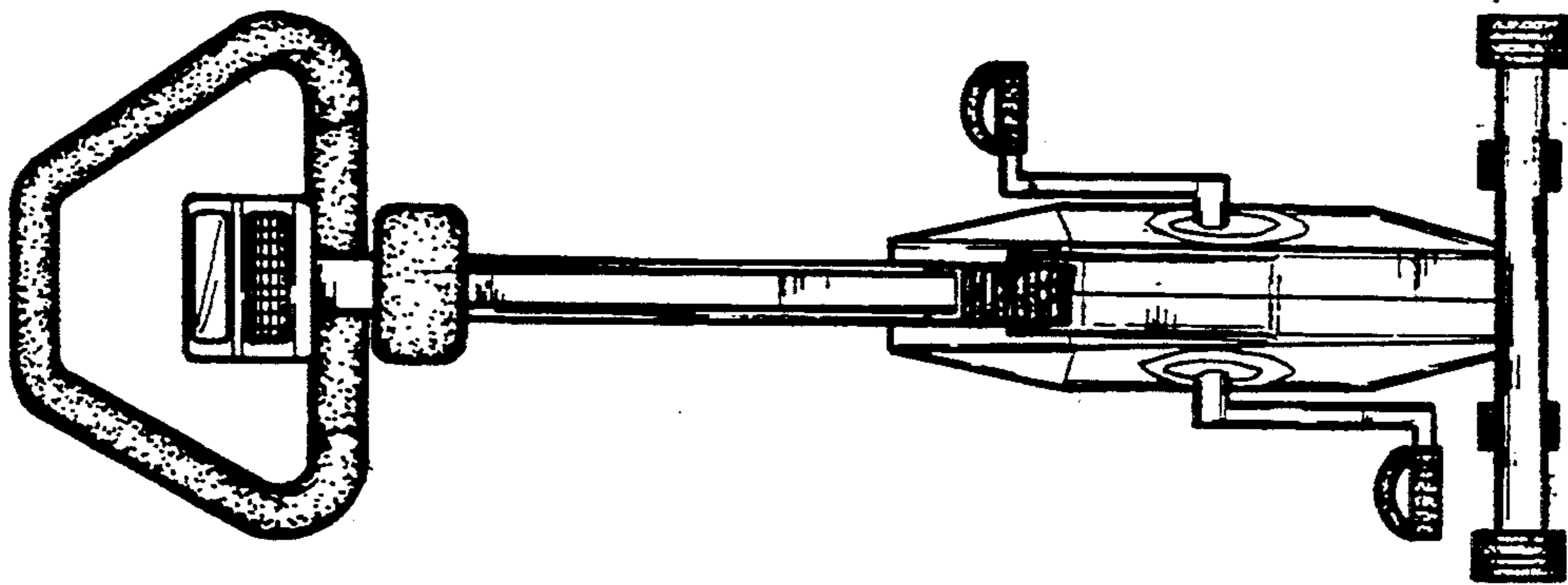


FIG. 3.

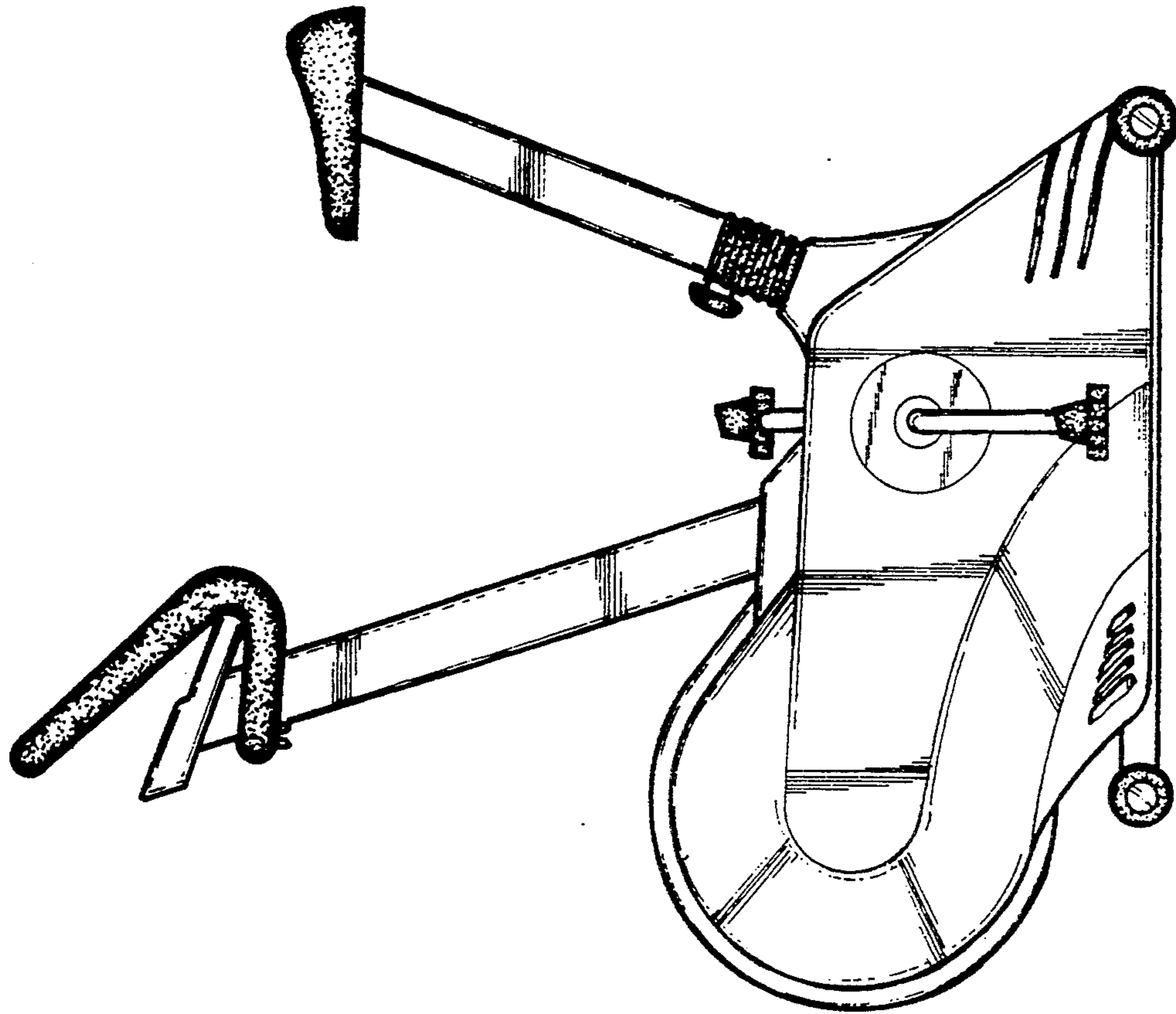


FIG. 5.

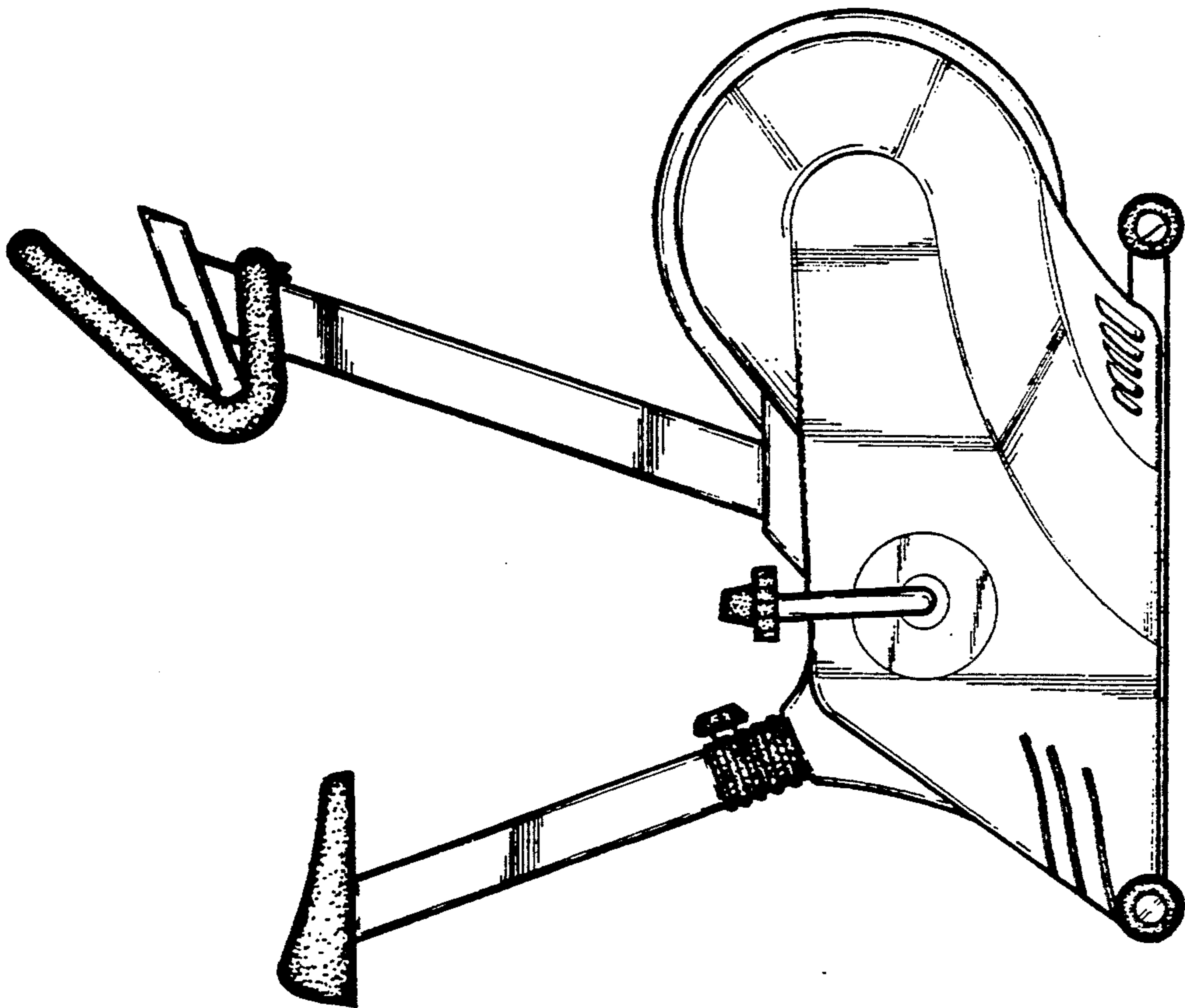


FIG. 4.

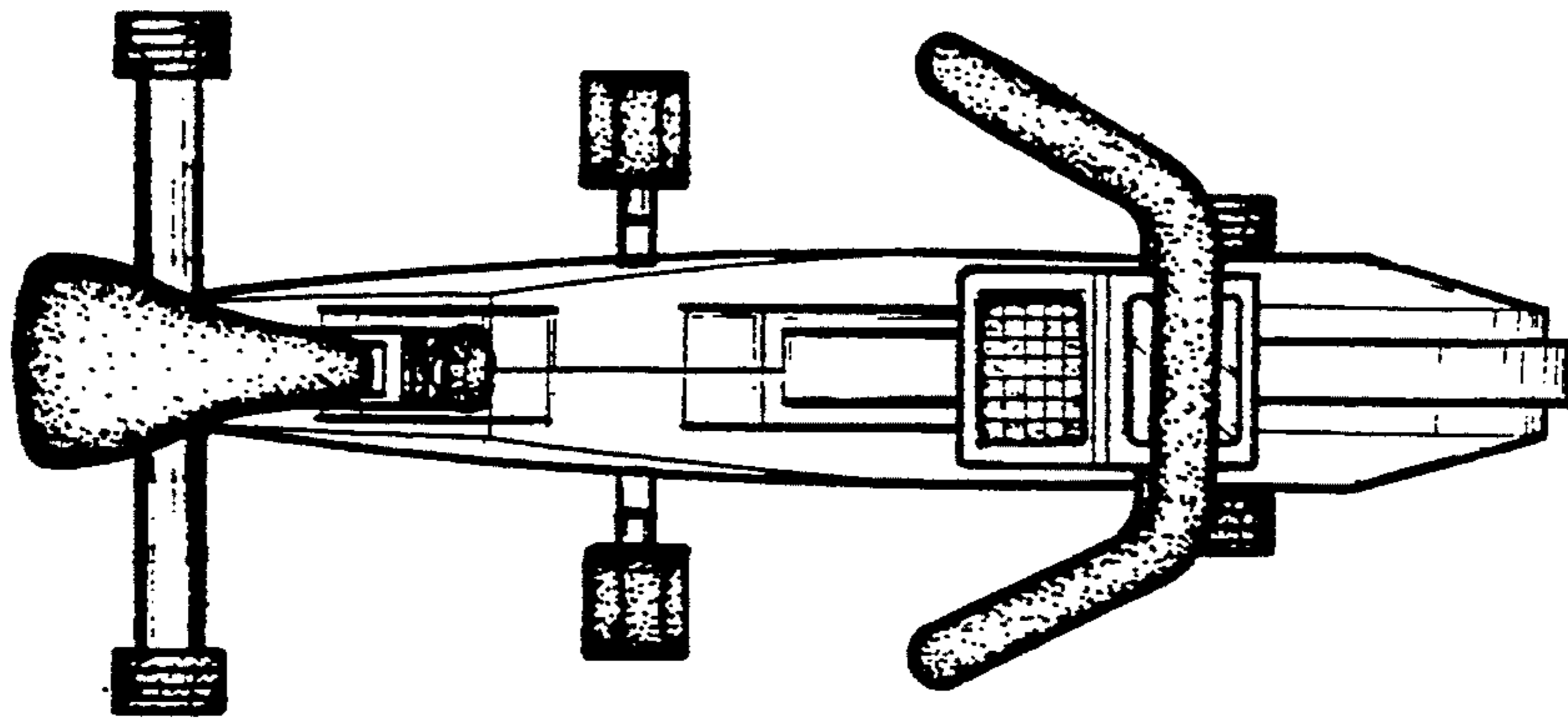


FIG. 6

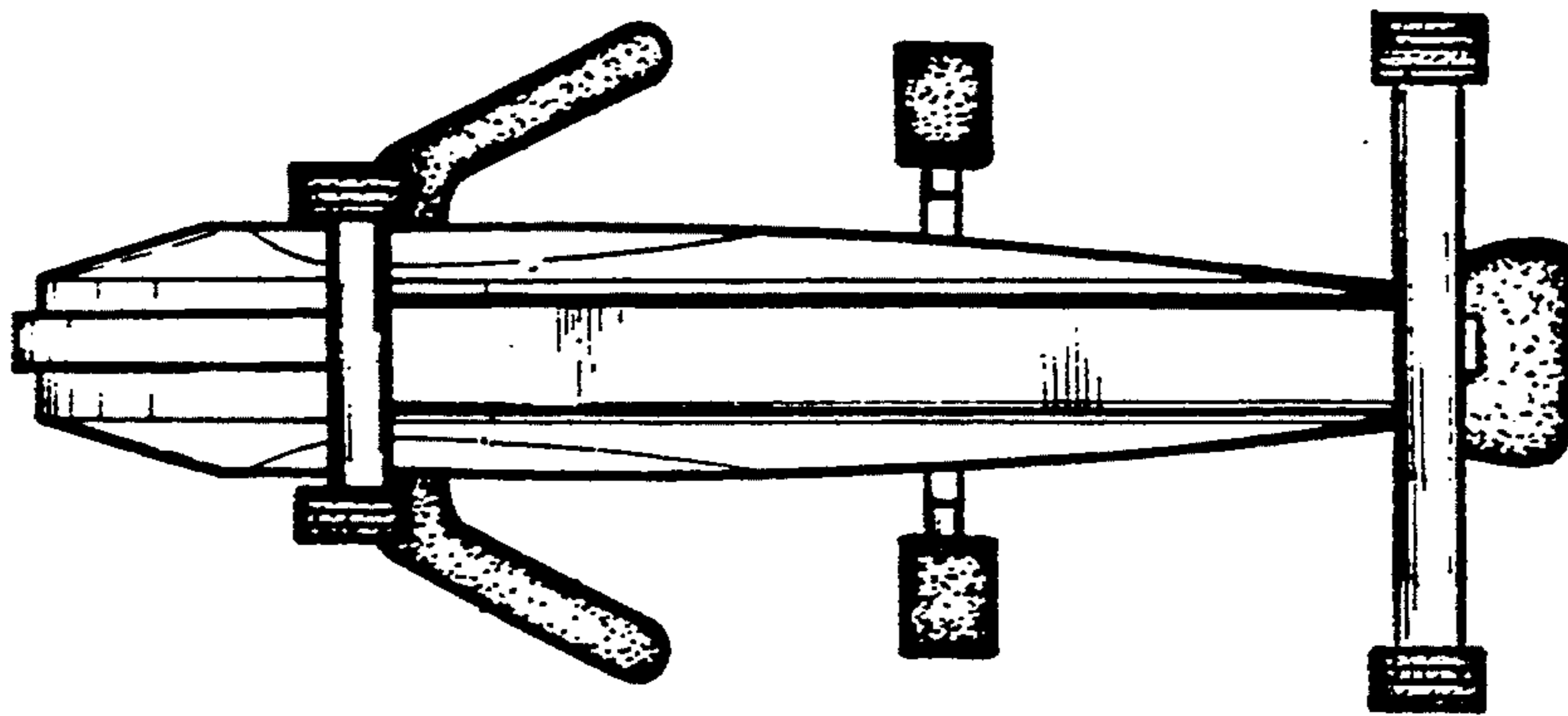


FIG. 7