



US00D359999S

United States Patent [19]

[11] Patent Number: **Des. 359,999**

Schmidt et al.

[45] Date of Patent: **** Jul. 4, 1995**

[54] TOY BUILDING ELEMENT

4,030,236 6/1977 Schnabel 446/128

[75] Inventors: **Sten Schmidt, Grindsted; Kurt Jensen, Vejle**, both of Denmark

OTHER PUBLICATIONS

Lego Catalog #1.

[73] Assignee: **Interlogo AG**, Baar, Switzerland

Primary Examiner—Theodore M. Shooman

Assistant Examiner—R. Barkai

[**] Term: **14 Years**

Attorney, Agent, or Firm—Kane, Dalsimer, Sullivan,

Kurucz, Levy, Eisele and Richard

[21] Appl. No.: **29,143**

[57] CLAIM

[22] Filed: **Sep. 29, 1994**

The ornamental design for a toy building element, as shown and described.

[52] U.S. Cl. **D21/108**

[58] Field of Search D21/108, 120; D20/40, D20/43; 446/26, 27, 69, 70, 75, 76, 103, 104, 107, 117, 121, 128

DESCRIPTION

[56] References Cited

U.S. PATENT DOCUMENTS

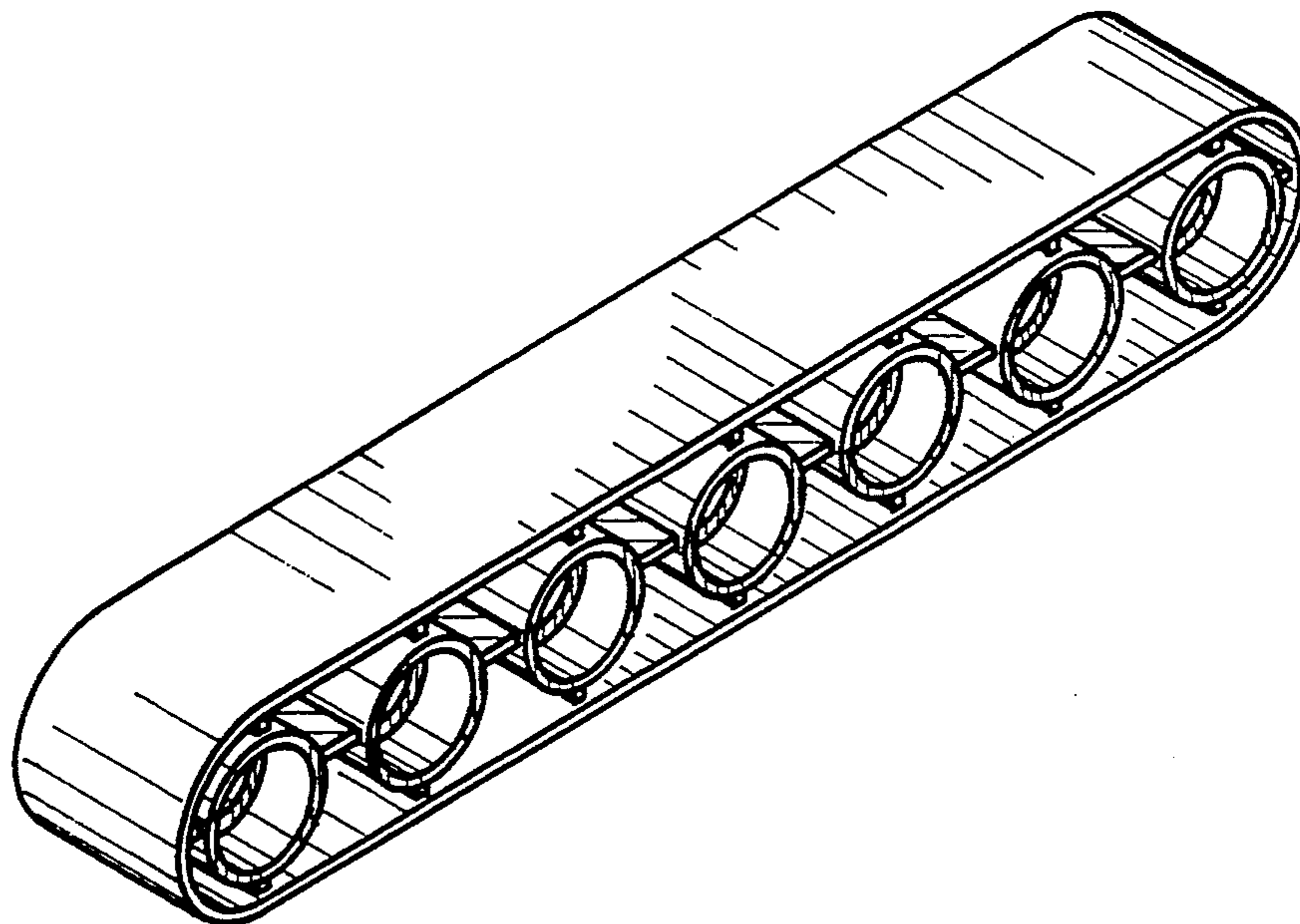
- D. 244,307 5/1977 Maddestra et al. D21/108
- D. 325,757 4/1992 Pagel D21/108
- D. 330,053 10/1992 Pagel D21/108
- 3,611,609 10/1971 Reijnhard 446/121

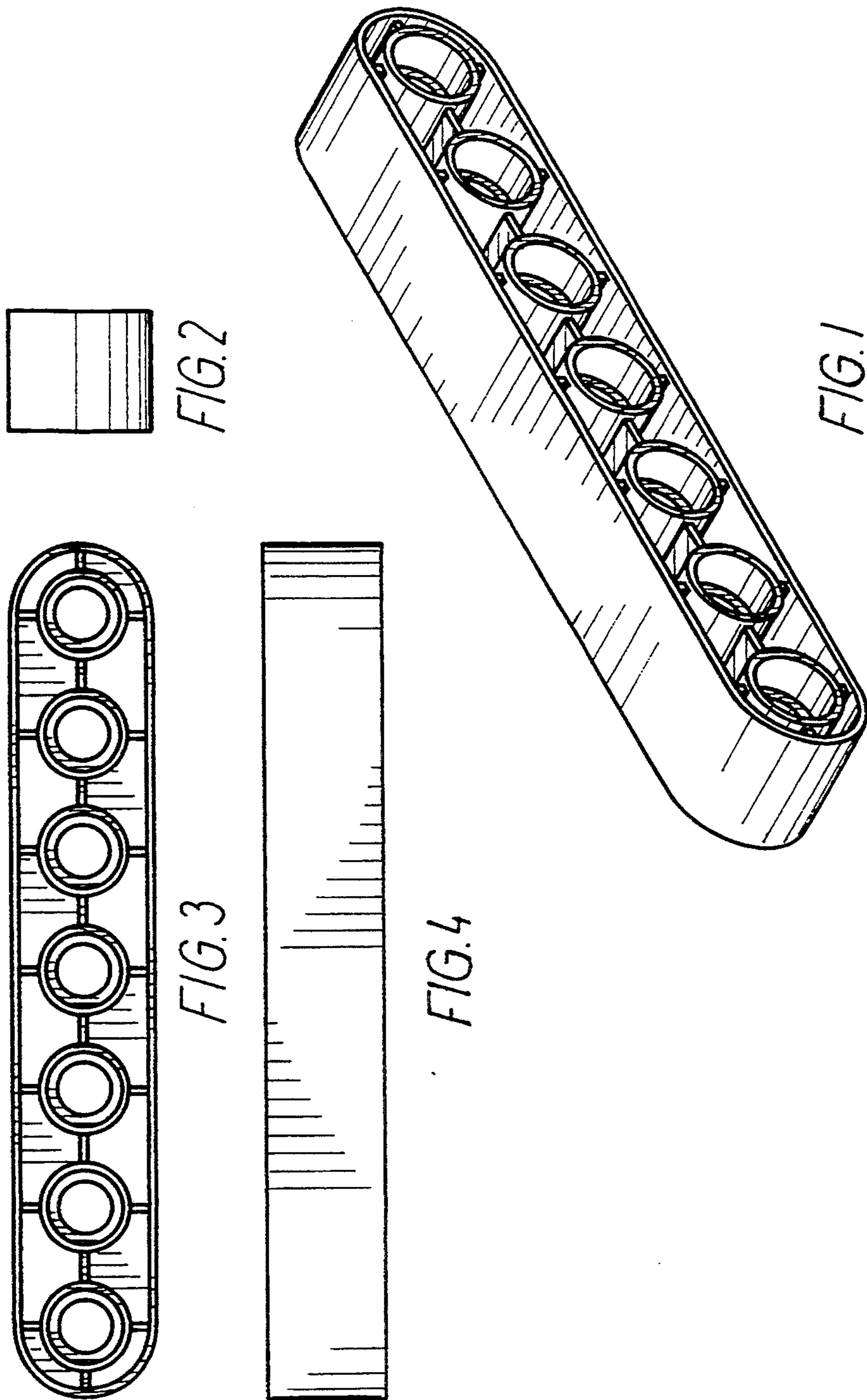
FIG. 1 is a side perspective view of the toy building element showing our new design;

FIG. 2 is a front elevational view thereof, the rear side being identical;

FIG. 3 is a left side elevational view thereof, the right side being identical; and,

FIG. 4 is a top plan view thereof, the bottom plan view being identical.





UNITED STATES PATENT AND TRADEMARK OFFICE
CERTIFICATE OF CORRECTION

PATENT NO. : Des. 359,999
DATED : July 4, 1995
INVENTOR(S) : Sten Schmidt and Kurt Jensen

It is certified that error appears in the above-identified patent and that said Letters Patent is hereby corrected as shown below:

On the title page, Item [73], correct the name of the Assignee to read as follows:

--INTERLEGO AG--

Signed and Sealed this
Tenth Day of October, 1995



BRUCE LEHMAN

Commissioner of Patents and Trademarks

Attest:

Attesting Officer