



US00D359998S

United States Patent [19]

[11] Patent Number: **Des. 359,998**

Knudsen

[45] Date of Patent: **** Jul. 4, 1995**

[54] **TOY BUILDING ELEMENT**

D. 351,006	9/1994	Nielsen et al.	D21/108
1,163,851	12/1915	Pringle	D21/108
3,487,579	1/1970	Brettingen	446/128

[75] Inventor: **Jens N. Knudsen**, Billund, Denmark

[73] Assignee: **Interlego AG**, Baar, Switzerland

[**] Term: **14 Years**

Primary Examiner—Theodore M. Shooman
Assistant Examiner—R. Barkai
Attorney, Agent, or Firm—Kane, Dalsimer, Sullivan, Kurucz, Levy, Eisele and Richard

[21] Appl. No.: **29,113**

[57] **CLAIM**

[22] Filed: **Sep. 29, 1994**

The ornamental design for a toy building element, as shown and described.

[52] U.S. Cl. **D21/108**

[58] Field of Search D21/108, 120; D20/40, D20/43; 446/26, 27, 69, 70, 75, 76, 103, 104, 107, 117, 121, 128

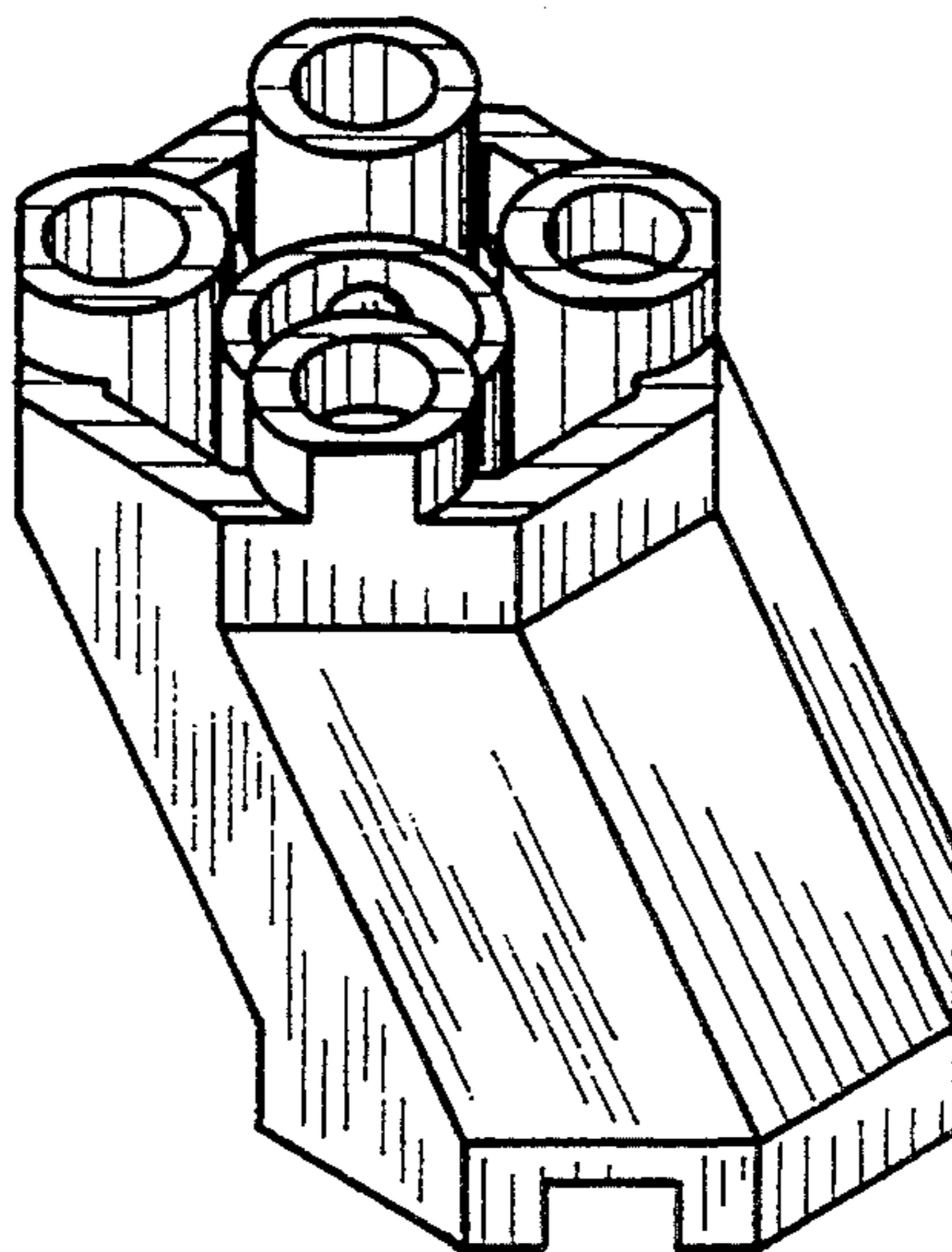
DESCRIPTION

[56] **References Cited**

U.S. PATENT DOCUMENTS

- | | | | | |
|------------|---------|-----------|-------|---------|
| D. 227,528 | 7/1973 | Wahl | | D20/43 |
| D. 241,710 | 10/1976 | Roberts | | D20/43 |
| D. 290,629 | 6/1987 | Berstrand | | D21/108 |
| D. 311,935 | 11/1990 | Andersen | | D21/108 |
| D. 314,989 | 2/1991 | Olsen | | D21/108 |
| D. 338,928 | 8/1993 | Olsen | | D21/108 |

FIG. 1 is a top perspective view of the toy building element showing my new design;
FIG. 2 is a bottom perspective view thereof;
FIG. 3 is a front elevational view thereof, the rear side being identical;
FIG. 4 is a left side elevational view thereof, the right side being identical;
FIG. 5 is a bottom plan view thereof; and,
FIG. 6 is a top plan view thereof.



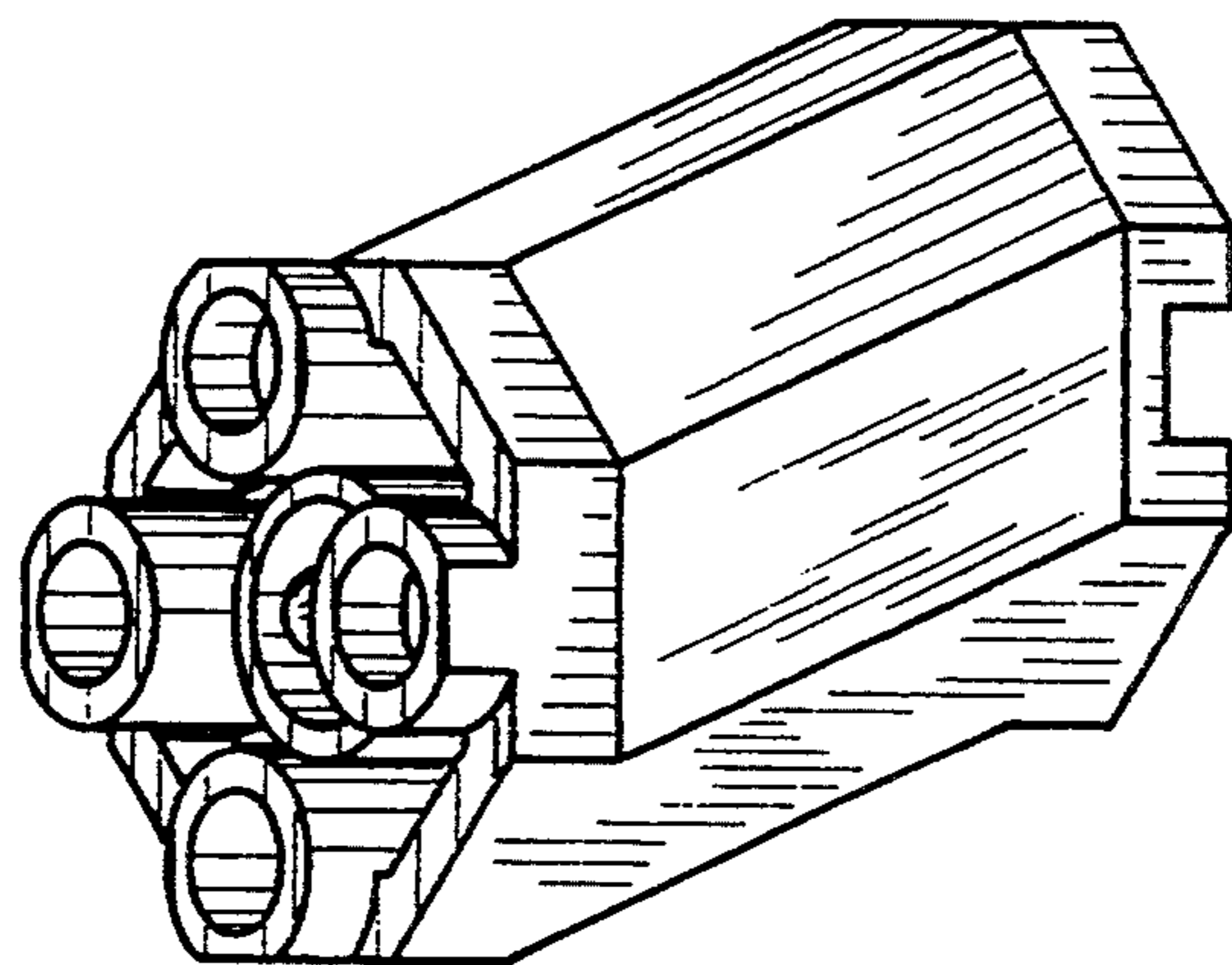


FIG. 1

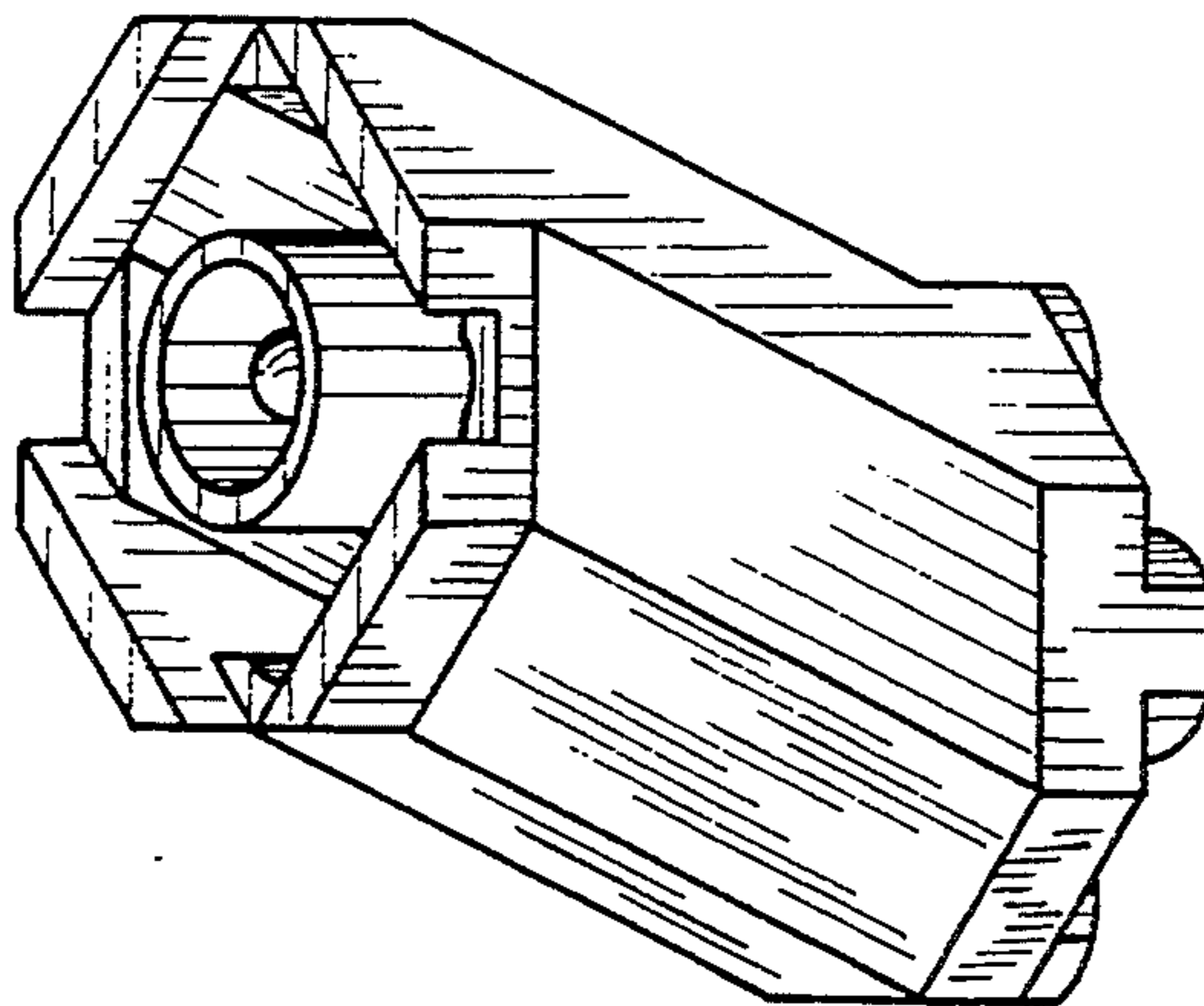


FIG. 2

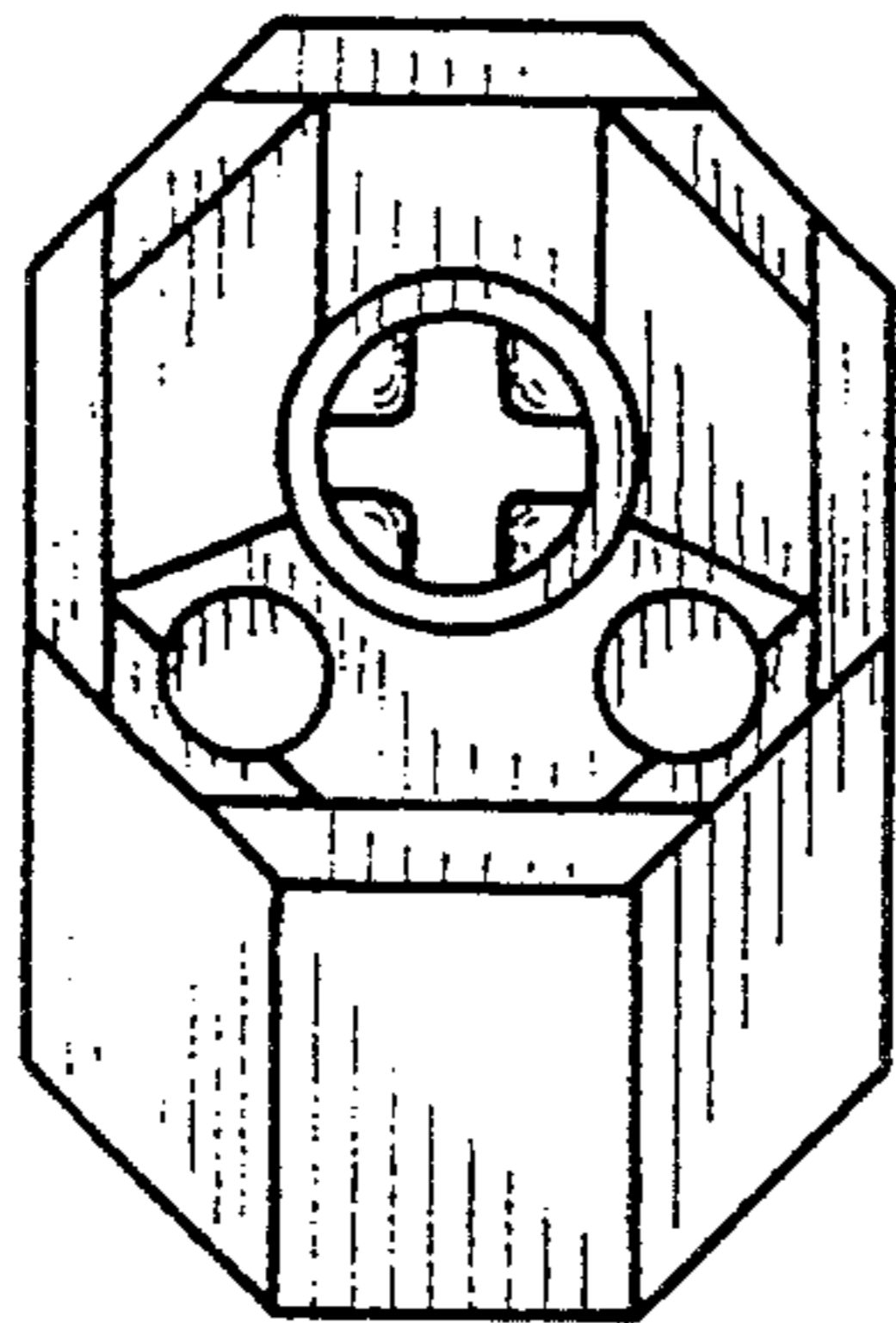


FIG. 5

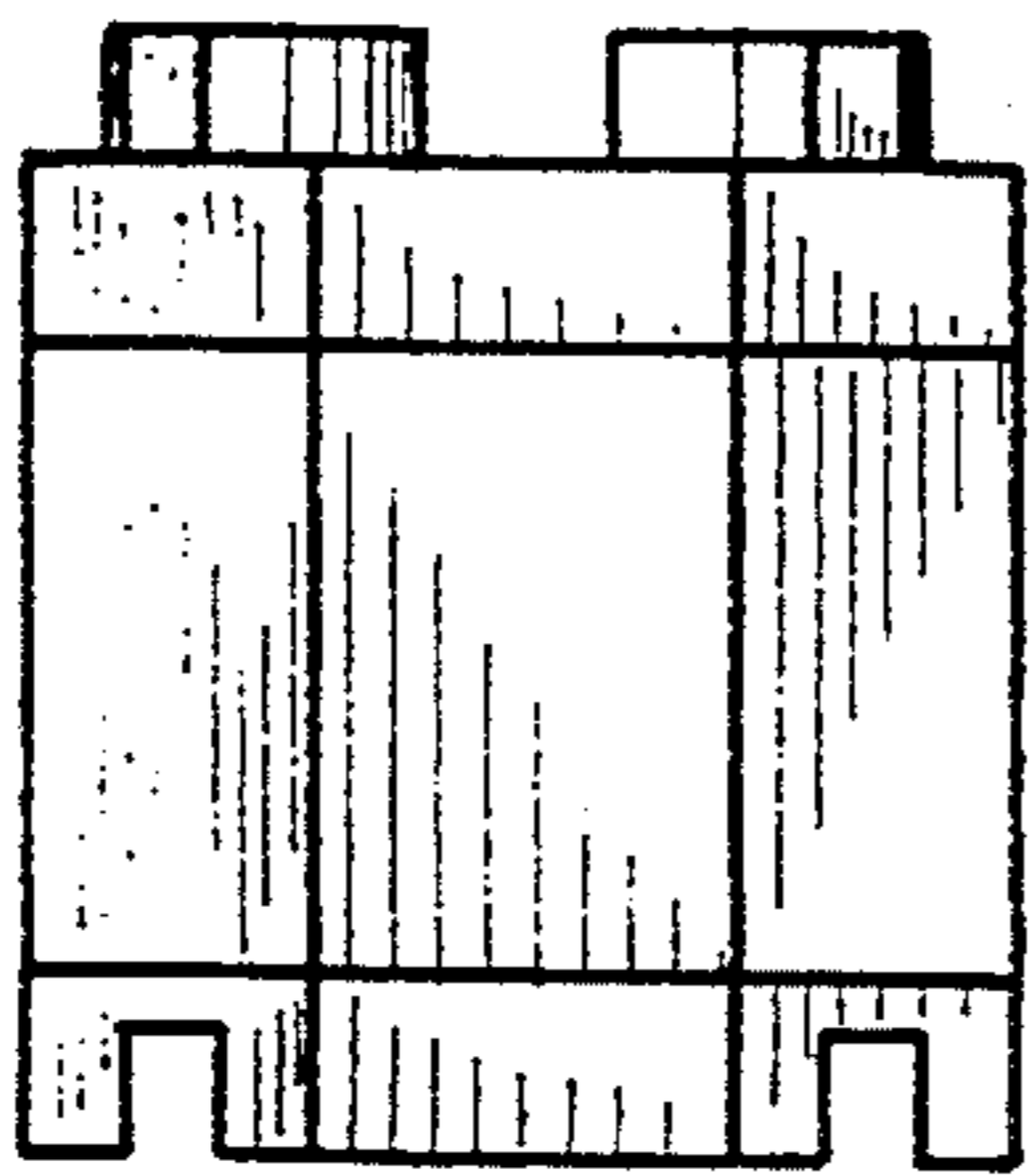


FIG. 4

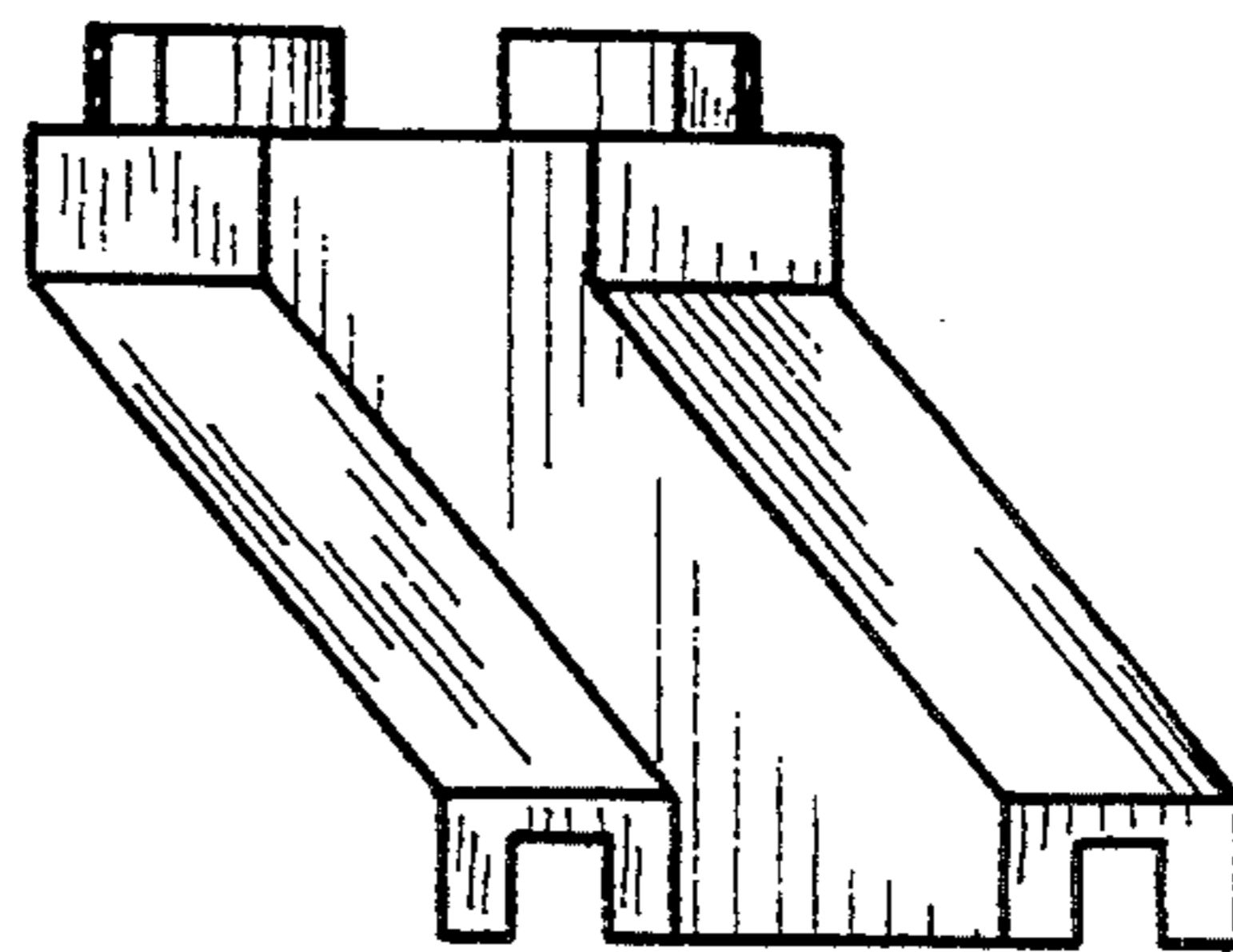


FIG. 3

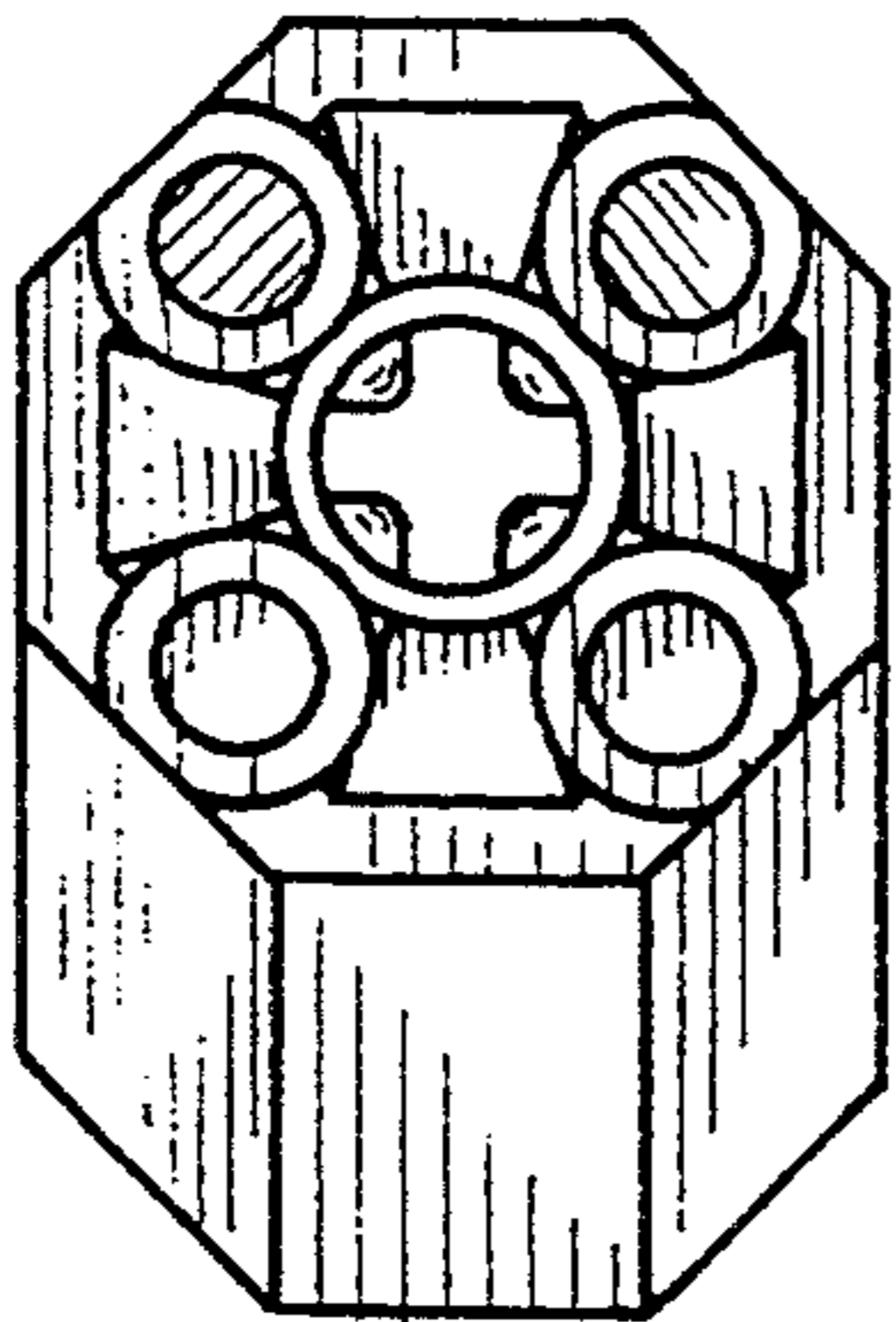


FIG. 6