



US00D359990S

United States Patent [19]

[11] Patent Number: **Des. 359,990**

Berman

[45] Date of Patent: **** Jul. 4, 1995**

[54] LABEL DISPENSER

[75] Inventor: **Howard Berman**, Freeport, N.Y.

[73] Assignee: **Cove Four-Slide and Stamping Corporation**, Freeport, N.Y.

[**] Term: **14 Years**

[21] Appl. No.: **14,182**

[22] Filed: **Oct. 14, 1993**

[52] U.S. Cl. **D20/27**

[58] Field of Search D20/10, 11, 22, 23,
D20/27, 28, 29, 40, 42, 43, 44, 99; 40/1, 124,
124.1, 642, 662, 657

[56] **References Cited**

U.S. PATENT DOCUMENTS

- D. 42,992 9/1912 Carpenter D20/43
- D. 94,516 2/1935 Rettich D20/43
- D. 112,615 12/1938 Pearson D20/43

- D. 112,683 12/1938 Owen D20/43
- D. 114,808 5/1939 Fabacher D20/43
- D. 308,546 6/1990 Barnes D20/43

Primary Examiner—A. Hugo Word
Assistant Examiner—Marcus Jackson
Attorney, Agent, or Firm—Seidel Gonda Lavorgna & Monaco

[57] **CLAIM**

The ornamental design for a label dispenser, as shown and described.

DESCRIPTION

FIG. 1 is a top front quarter perspective view of a label dispenser showing my new design;
 FIG. 2 is a top plan view of the label dispenser;
 FIG. 3 is a front elevation of the label dispenser;
 FIG. 4 is a rear elevation of the label dispenser;
 FIG. 5 is a right side elevational view thereof, with the opposite side being a mirror image; and,
 FIG. 6 is a bottom plan view of the label dispenser.

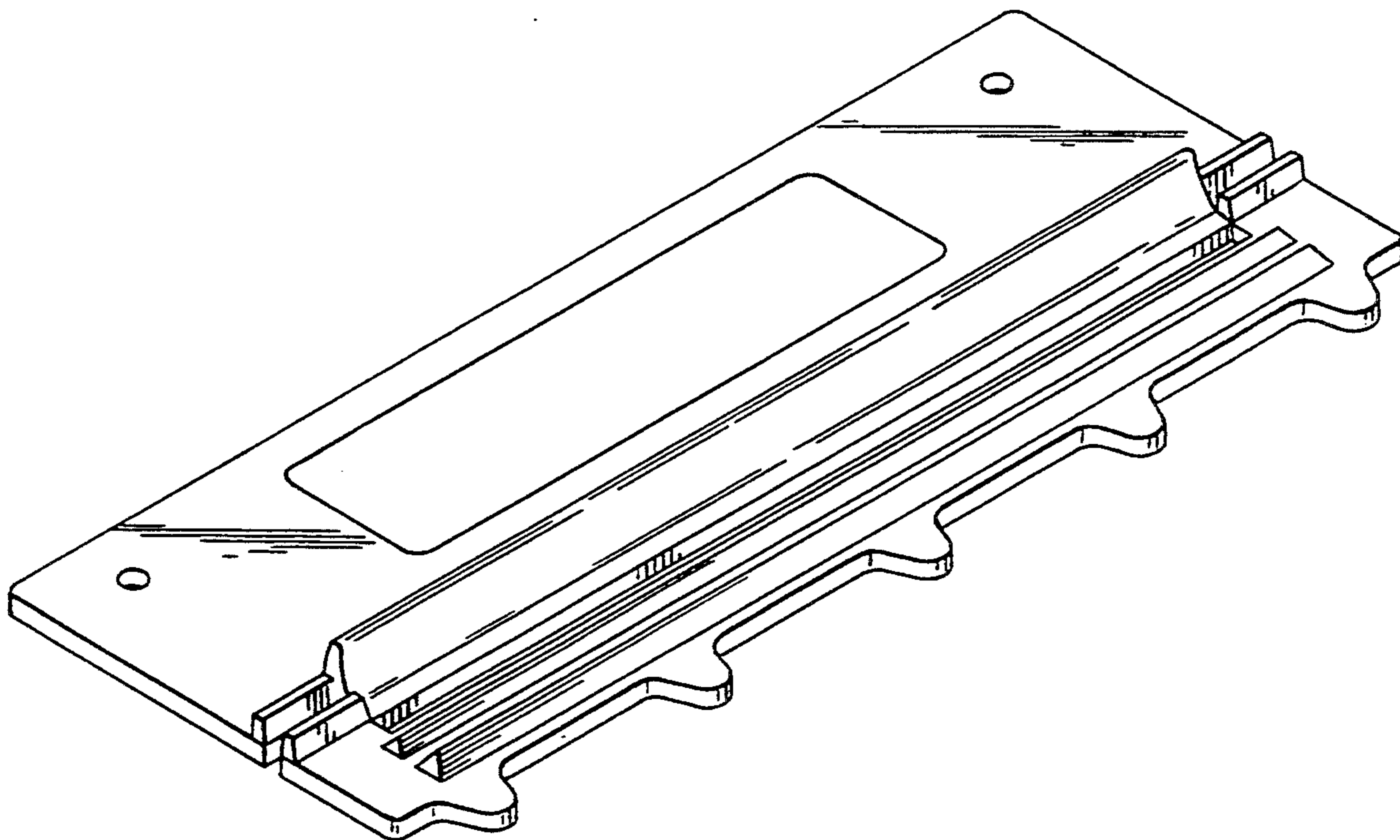


FIG. 1

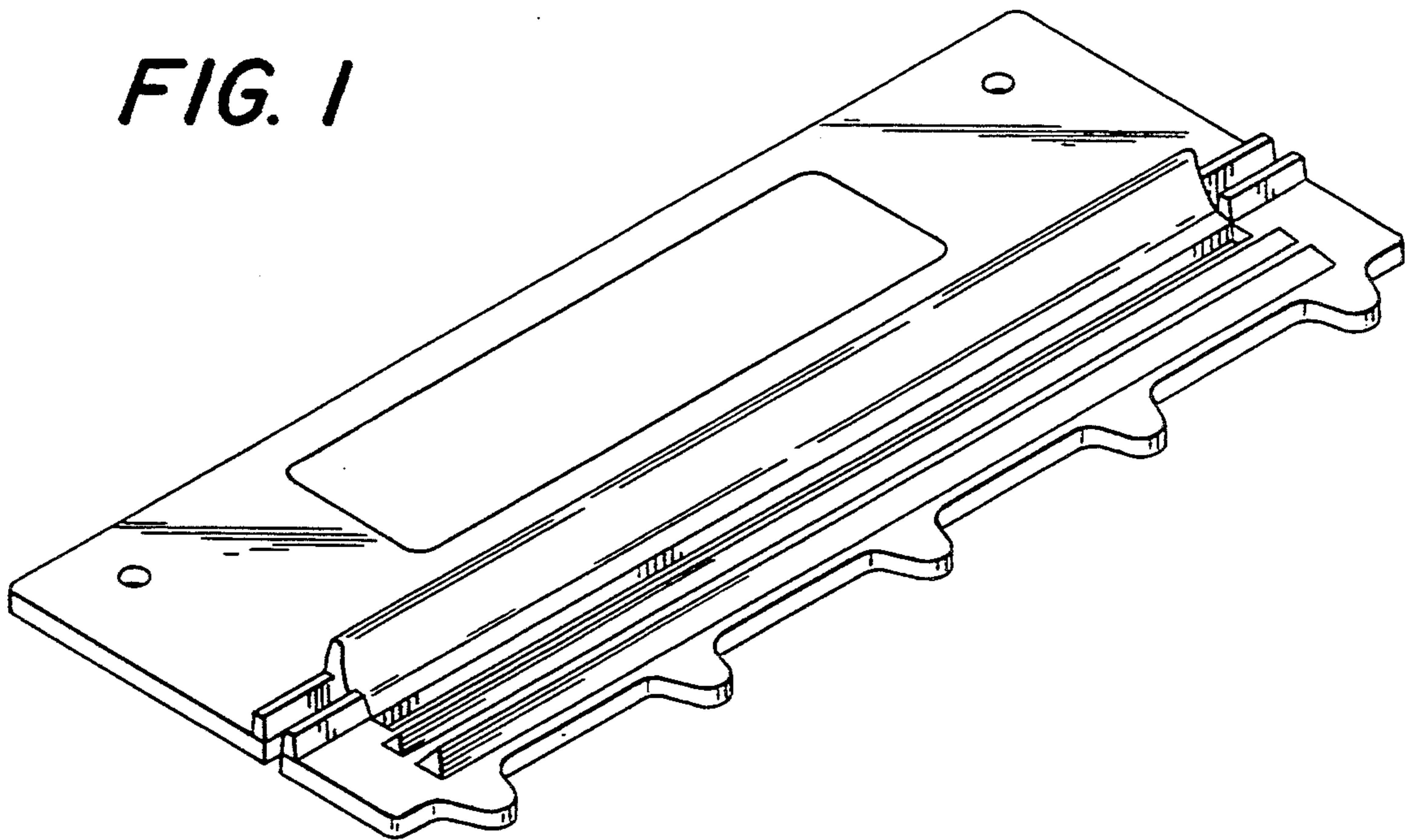


FIG. 2

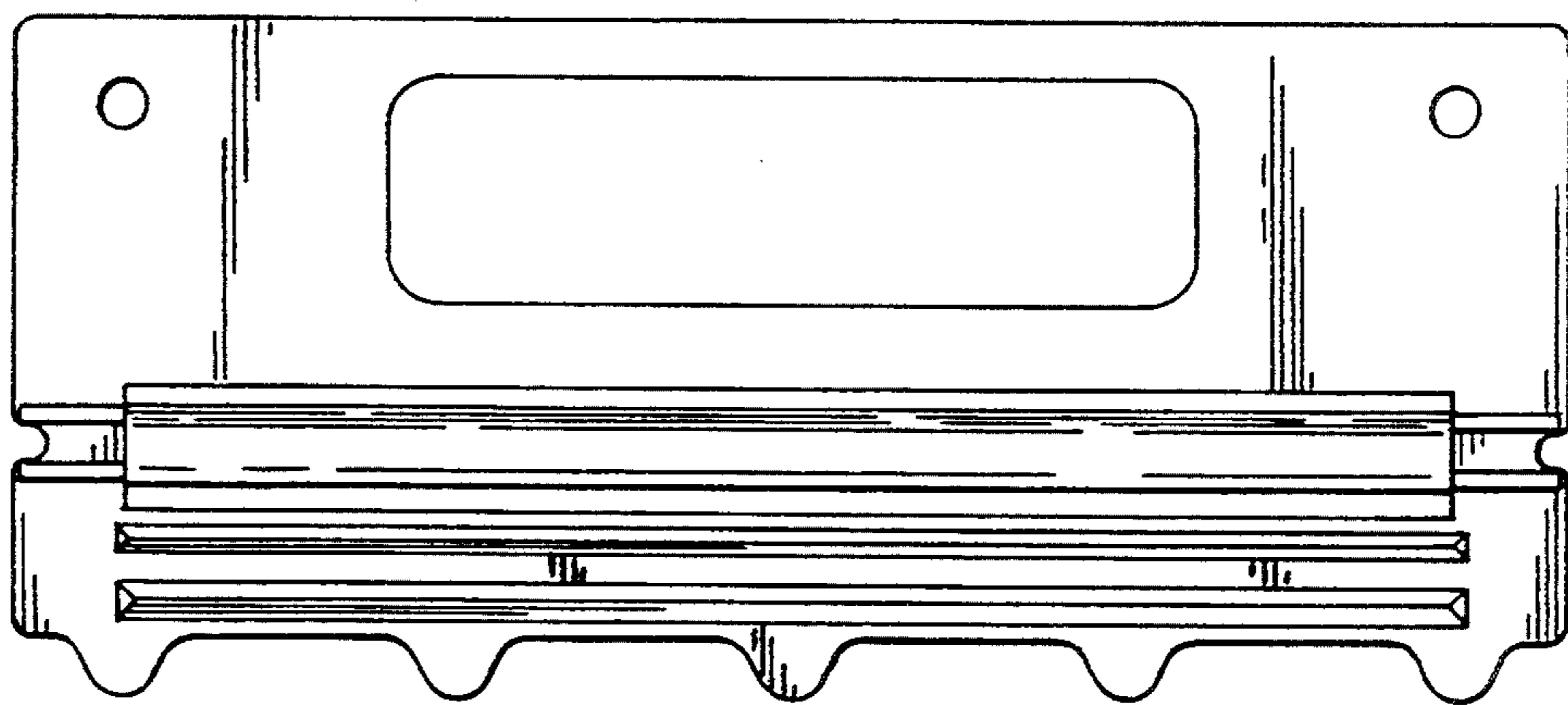


FIG. 3

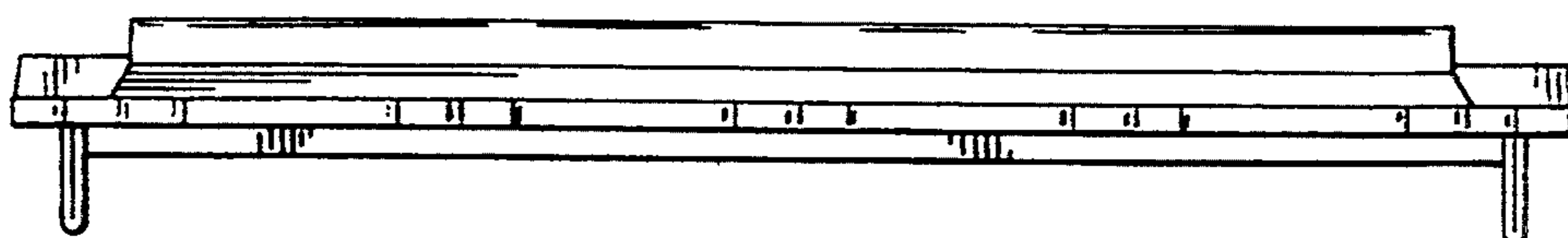


FIG. 4

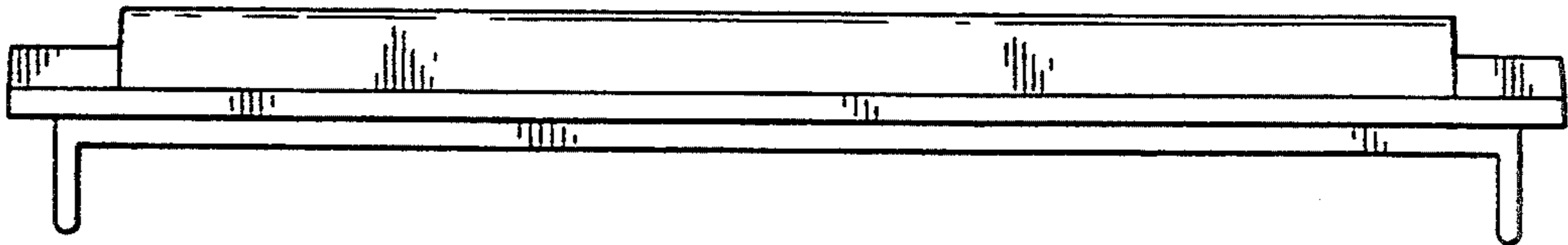


FIG. 5

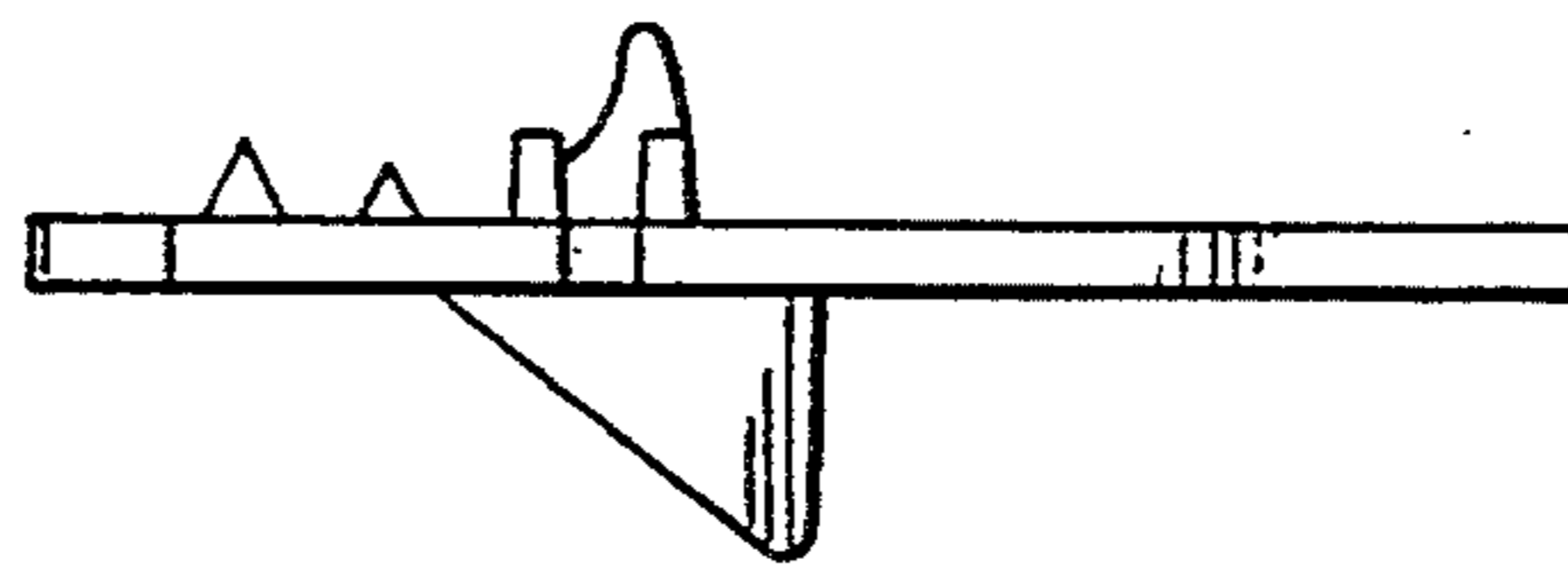


FIG. 6

