



US00D359985S

# United States Patent [19] Mak

[11] Patent Number: **Des. 359,985**  
[45] Date of Patent: **\*\* Jul. 4, 1995**

[54] **DRAWING BOARD**

[76] Inventor: **Kai-Shun Mak**, 7/F., Block A1-A3,  
Yip Fung Ind. Bldg. 26 Kwai Fung  
Crescent, Kwai Chung, New  
Territories, Hong Kong

[\*\*] Term: **14 Years**

[21] Appl. No.: **26,557**

[22] Filed: **Aug. 1, 1994**

[52] U.S. Cl. .... **D19/52; D19/35;**  
D19/78; D19/83; D21/59

[58] Field of Search ..... D19/35, 36, 52, 65,  
D19/78, 81-85, 86, 88, 99, 100; D21/59;  
434/81, 84, 85, 86, 87, 88, 90, 408, 428, 430,  
432; 206/1.7, 1.8, 214, 371, 224

[56] **References Cited**

**U.S. PATENT DOCUMENTS**

- D. 280,997 10/1985 Thomson et al. .... D21/59
- D. 282,183 1/1986 Shiraishi ..... D21/59
- D. 325,939 5/1992 Kroll ..... D21/59

- D. 336,751 6/1993 Mak ..... D19/52
- D. 344,975 3/1994 Tarozzi ..... D19/36
- D. 345,177 3/1994 Mak ..... D19/52
- 3,352,616 11/1967 Linger ..... D19/35 X
- 4,801,266 1/1989 Kinberg ..... 434/85
- 5,163,846 11/1992 Lee ..... 434/408

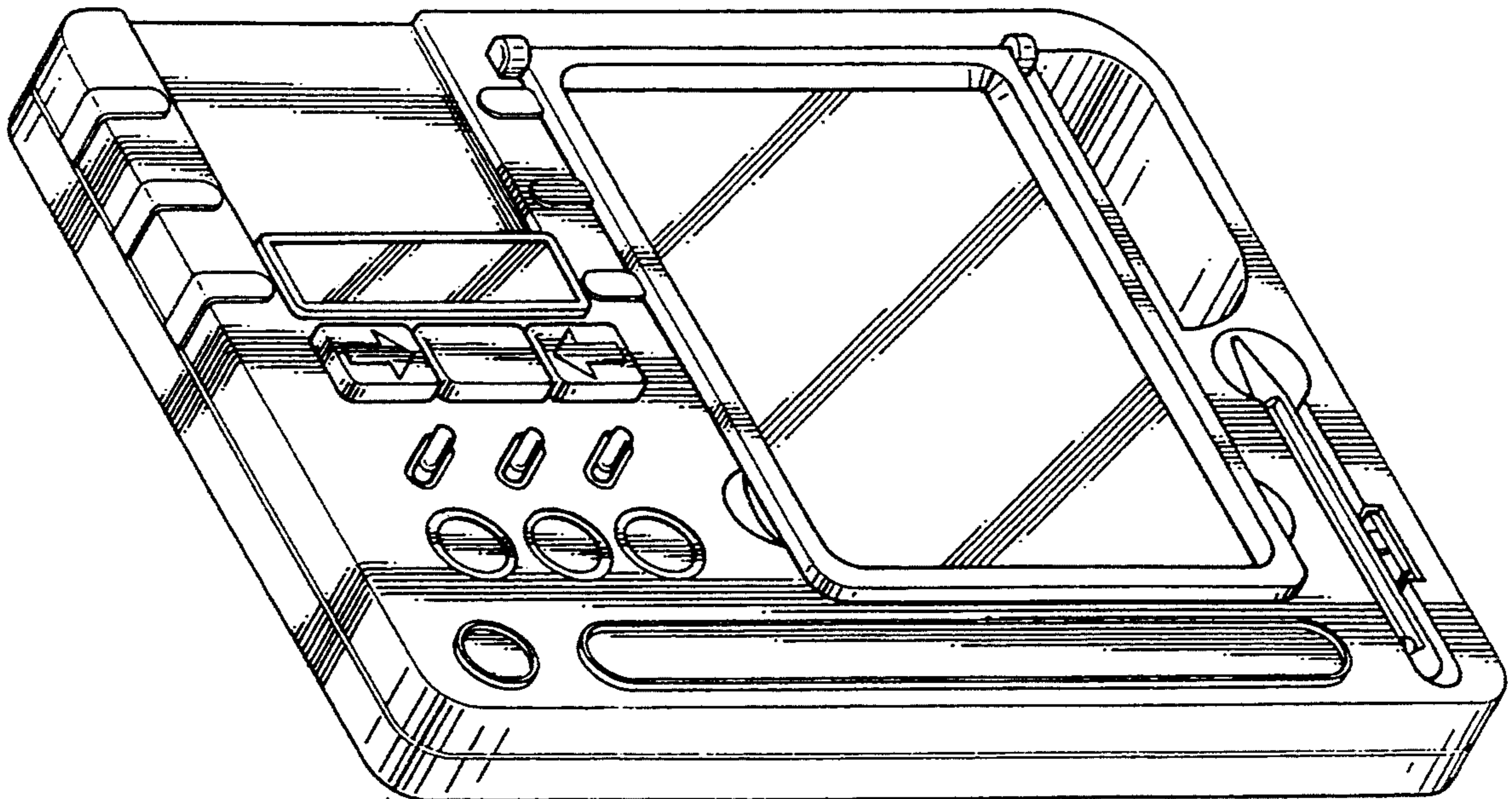
*Primary Examiner*—Martie Thompson  
*Attorney, Agent, or Firm*—Burns, Doane, Swecker &  
Mathis

[57] **CLAIM**

The ornamental design for a drawing board, as shown  
and described.

**DESCRIPTION**

FIG. 1 is the front elevational view of a drawing board  
showing my new design;  
FIG. 2 is the rear view thereof;  
FIG. 3 is the left side view thereof;  
FIG. 4 is the right view thereof;  
FIG. 5 is the top view thereof;  
FIG. 6 is the bottom view thereof; and,  
FIG. 7 is the perspective view from front, left and bot-  
tom thereof.



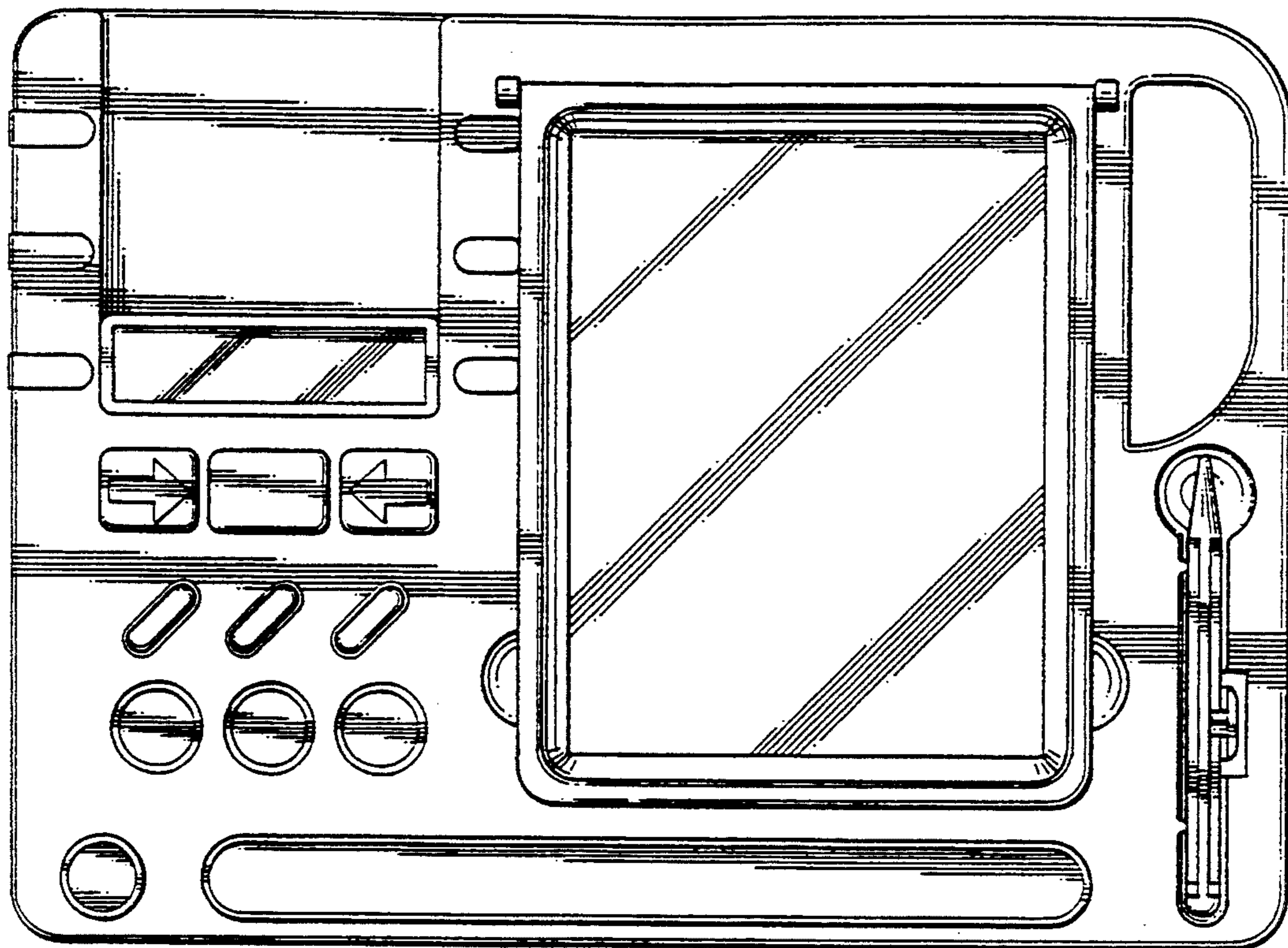


FIG. 1

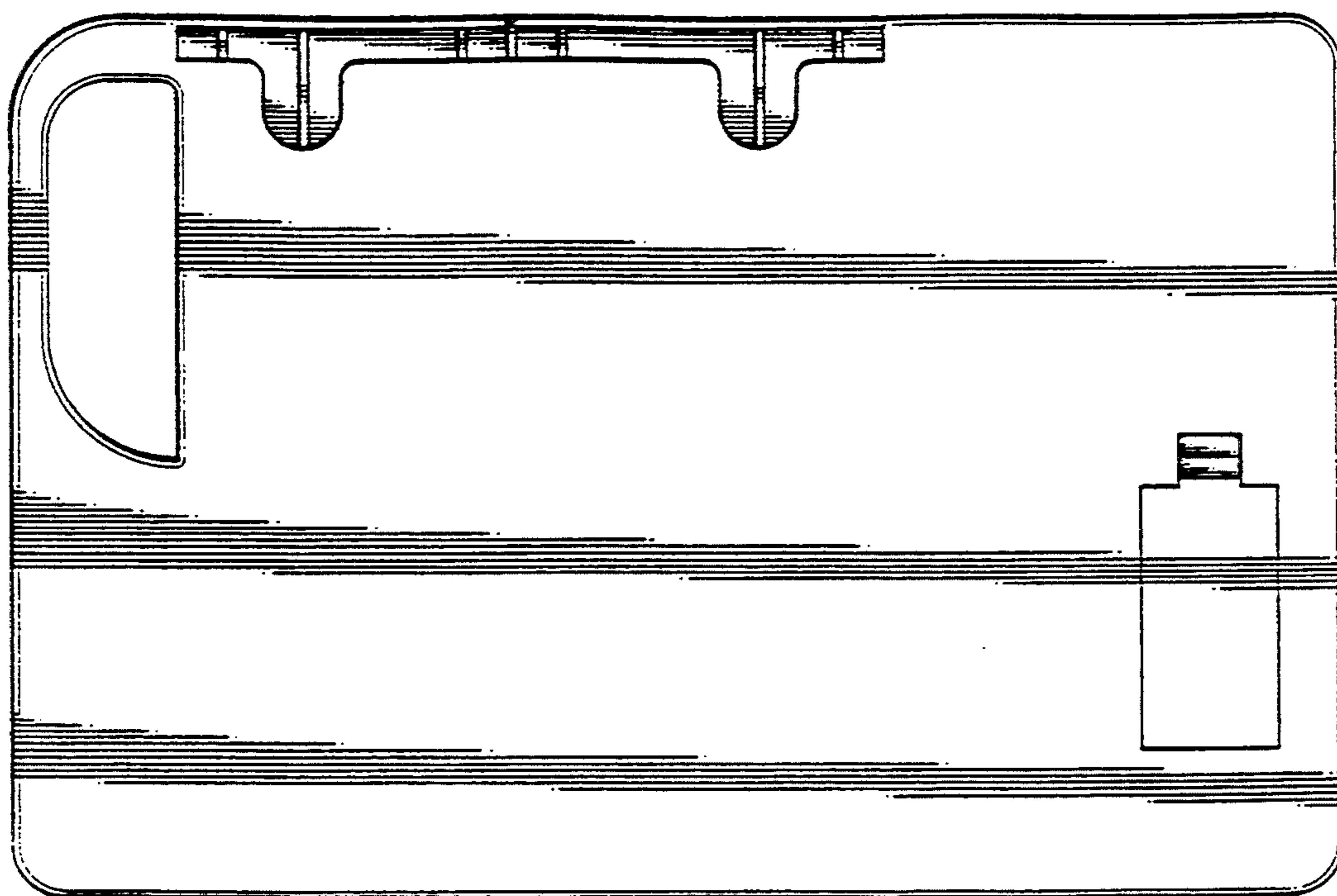


FIG. 2

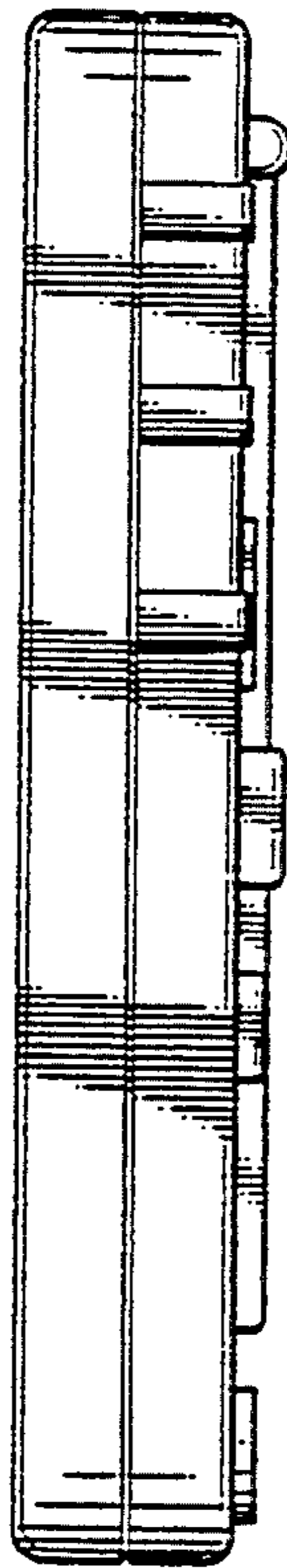


FIG. 3

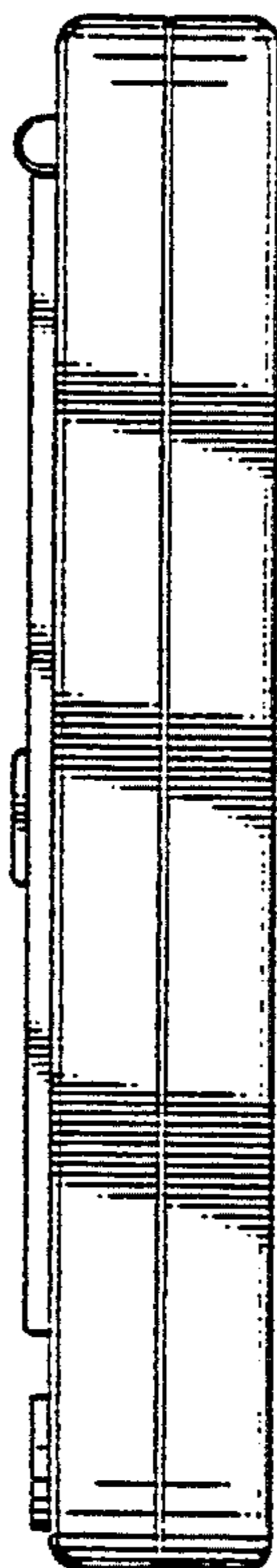
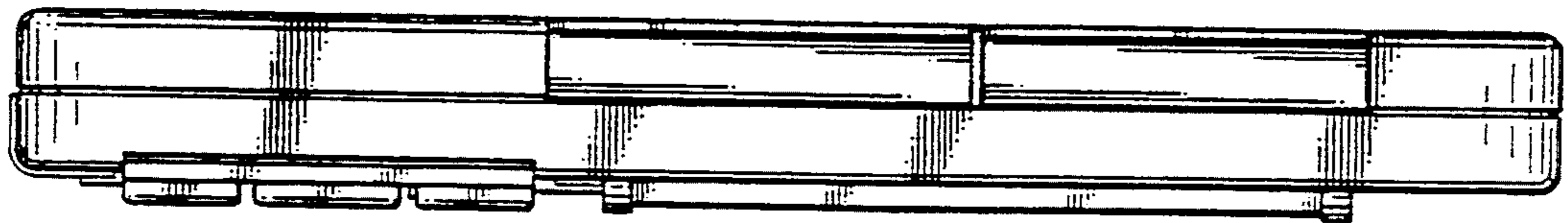
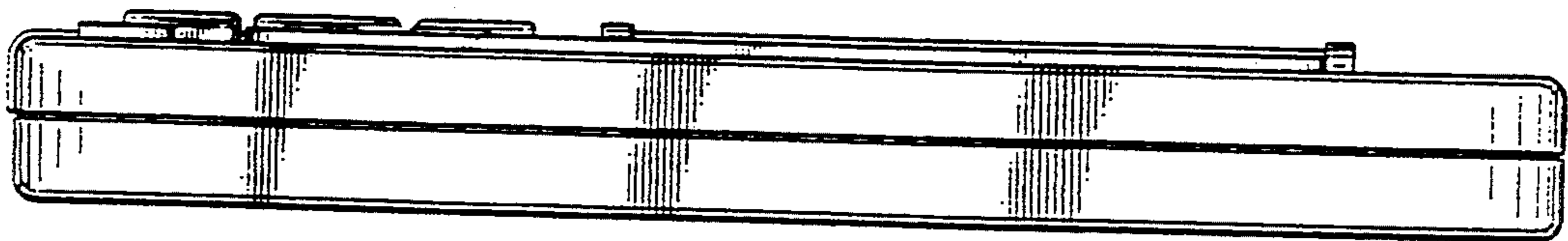


FIG. 4



*FIG. 5*



*FIG. 6*

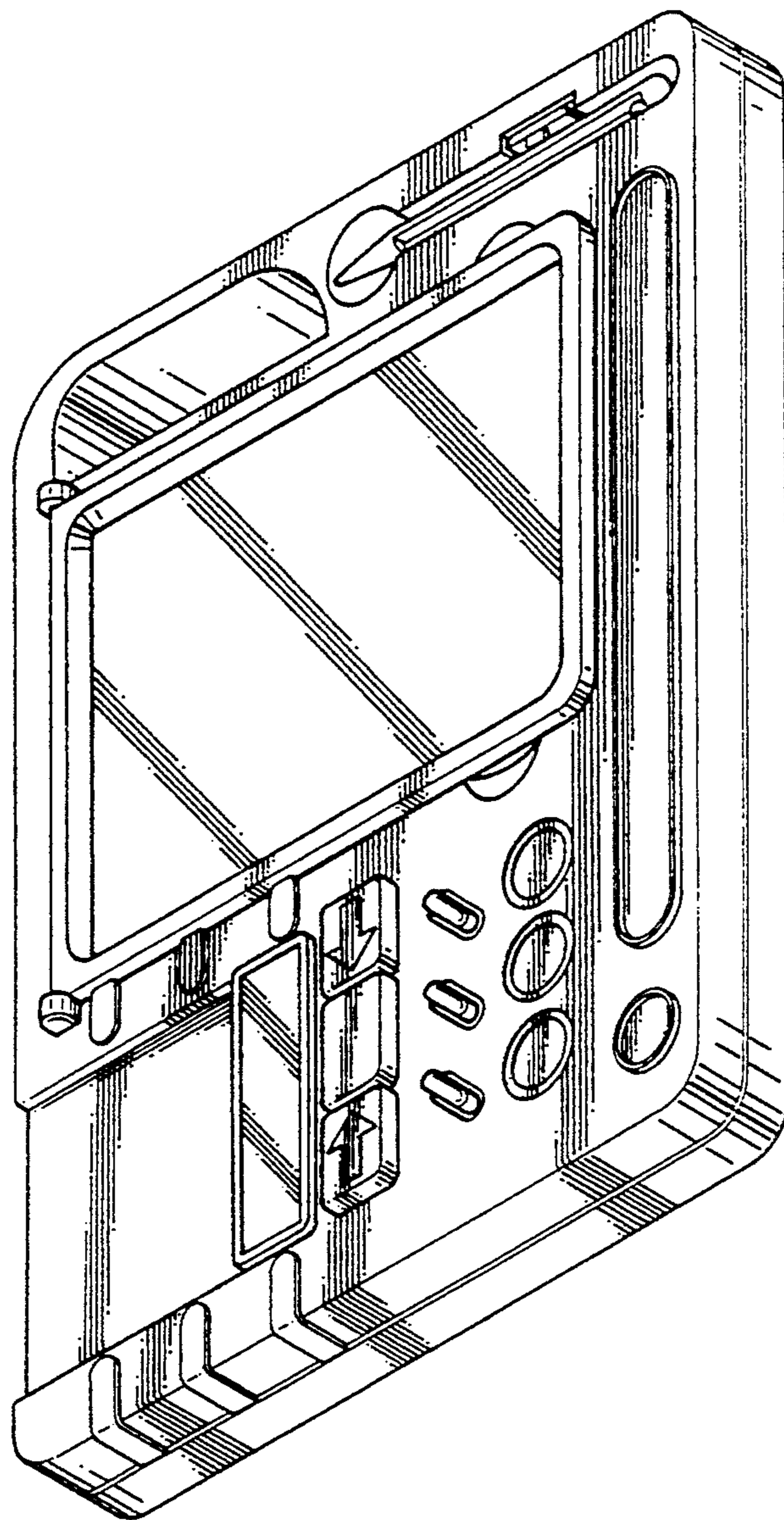


FIG. 7