



US00D359984S

United States Patent [19]
Mak

[11] **Patent Number: Des. 359,984**
[45] **Date of Patent: ** Jul. 4, 1995**

[54] **DRAWING BOARD**

[76] Inventor: **Kai-Shun Mak**, 7/F., Block A1-A3,
Yip Fung Ind. Bldg., 26 Kwai Fung
Crescent, Kwai Chung, New
Territories, Hong Kong

[**] Term: **14 Years**

[21] Appl. No.: **26,556**

[22] Filed: **Aug. 1, 1994**

[52] U.S. Cl. **D19/52; D19/35;**
D19/78; D19/83; D21/59

[58] Field of Search D19/35, 36, 52, 65,
D19/78, 81-85, 88, 86, 99, 100; D21/59;
434/85, 81, 86, 84, 87, 88, 90, 408, 428, 430,
432; 206/1.7, 1.8, 214, 224, 371

[56] **References Cited**

U.S. PATENT DOCUMENTS

- D. 280,997 10/1985 Thomson et al. D21/59
- D. 282,183 1/1986 Shiraishi D21/59
- D. 336,751 6/1993 Mak D19/35 X

- D. 344,975 3/1994 Tarozzi D19/36
- D. 345,177 3/1994 Mak D19/52
- 3,352,616 11/1967 Linger D19/35 X
- 4,306,868 12/1981 Hankins 434/85
- 4,801,266 1/1989 Kinberg 434/85
- 5,163,846 11/1992 Lee 434/408

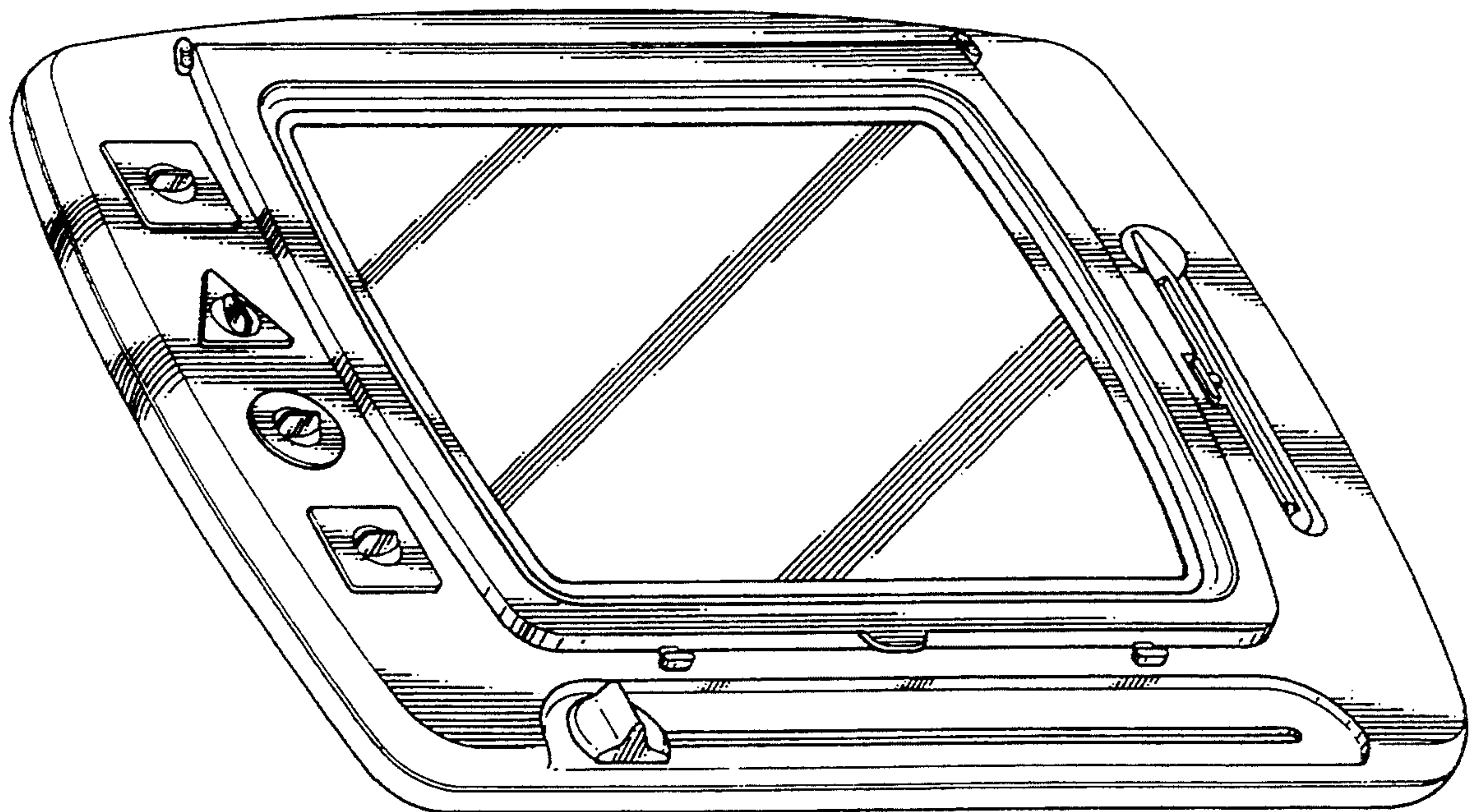
Primary Examiner—Martie Thopson
Attorney, Agent, or Firm—Burns, Doane, Swecker &
Mathis

[57] **CLAIM**

The ornamental design for a drawing board, as shown
and described.

DESCRIPTION

FIG. 1 is a front elevational view of a drawing board
showing my new design;
FIG. 2 is a rear view thereof;
FIG. 3 is the left side view thereof;
FIG. 4 is the right view thereof;
FIG. 5 is a top view thereof;
FIG. 6 is a bottom view thereof; and,
FIG. 7 is the perspective view from front, left and bot-
tom thereof.



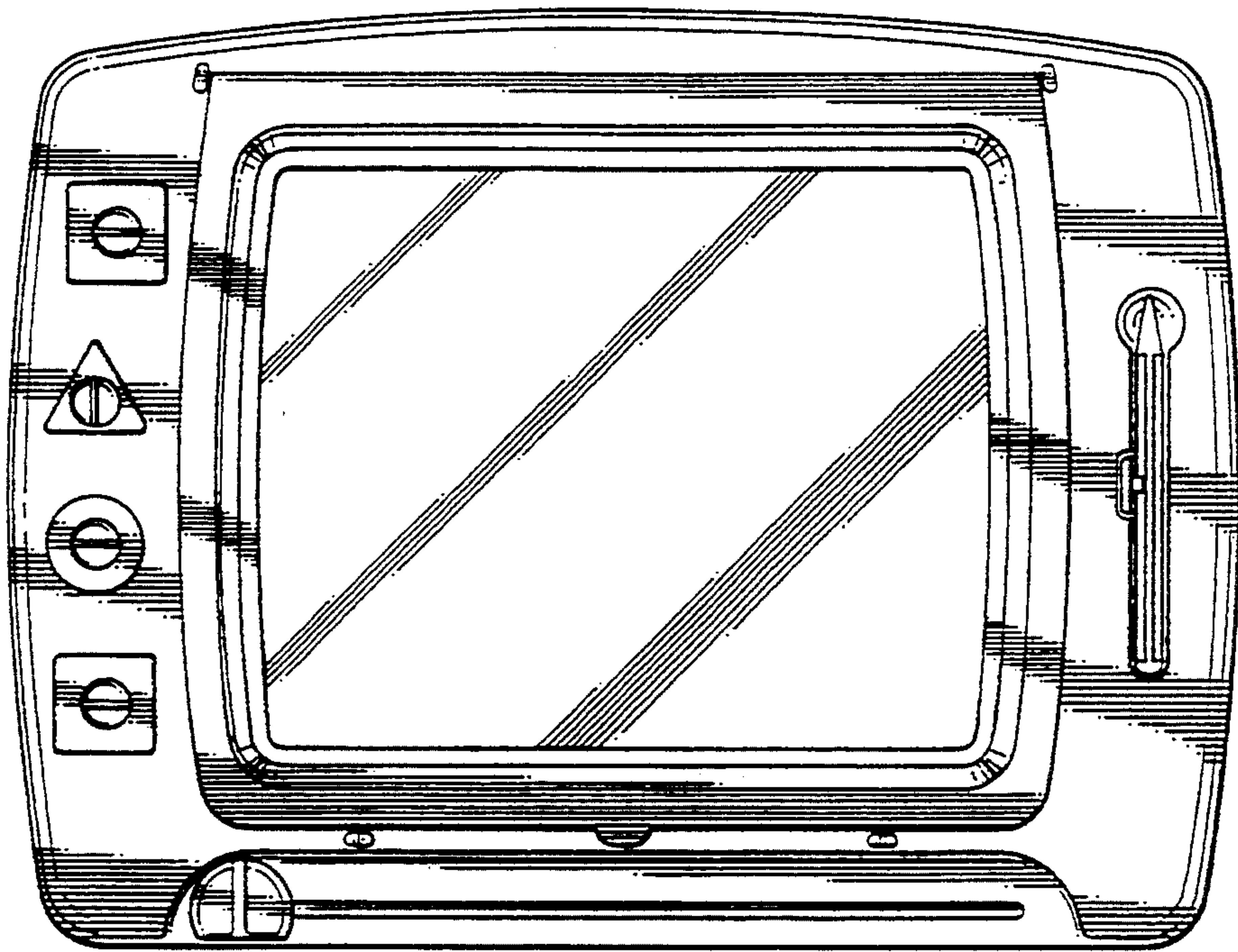


FIG. 1

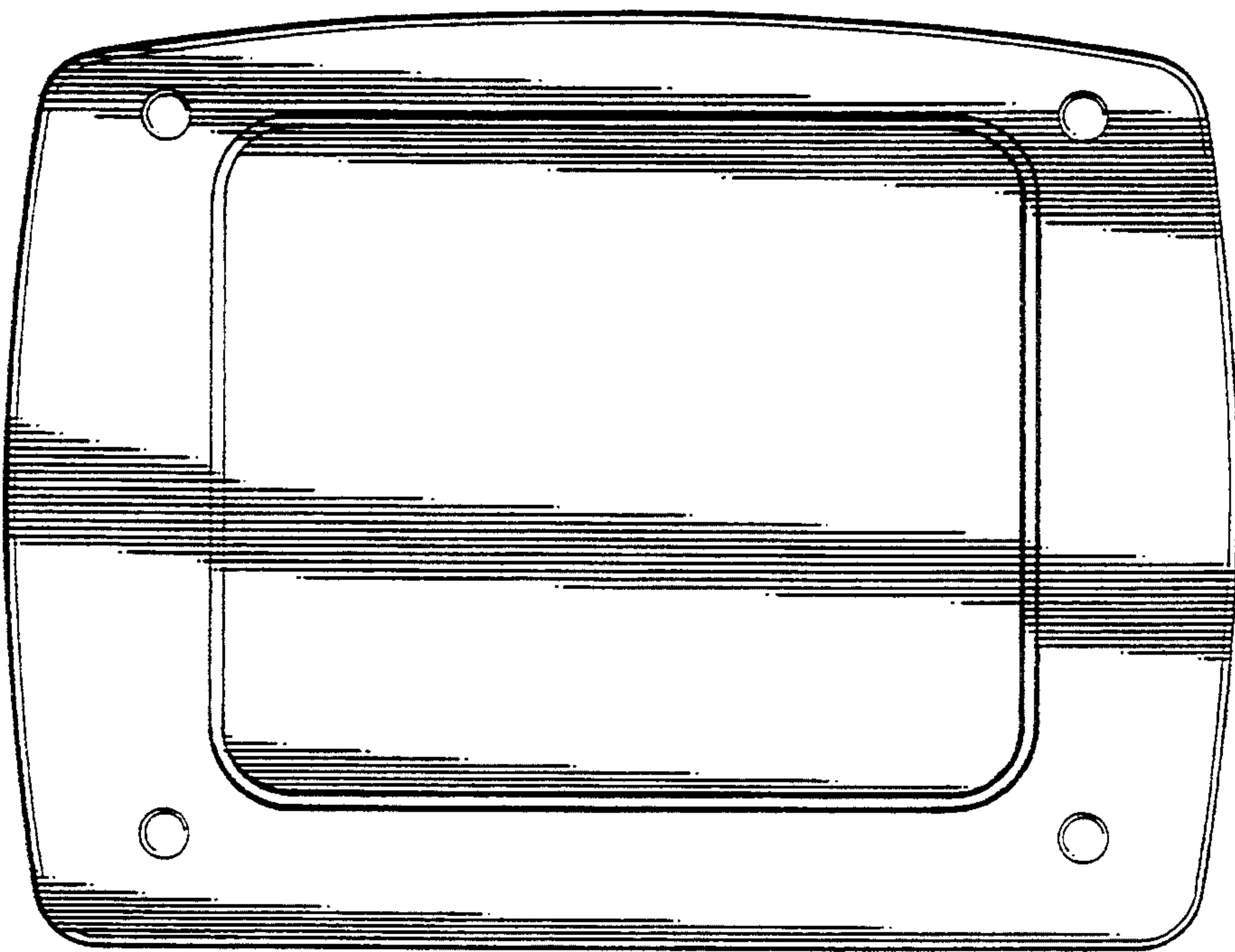


FIG. 2

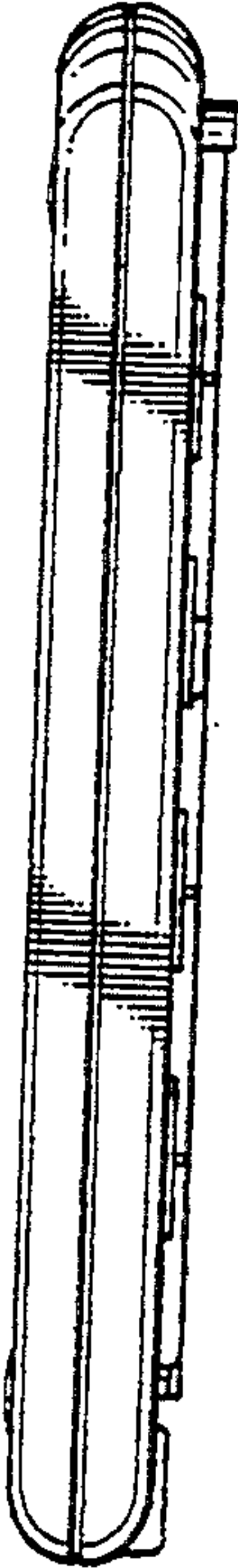


FIG. 3



FIG. 4

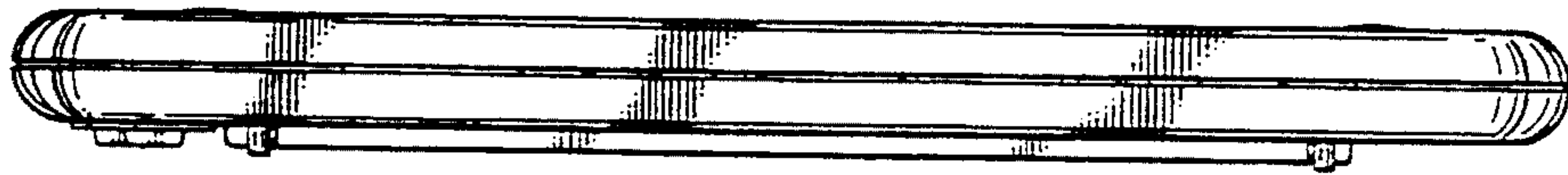


FIG. 5

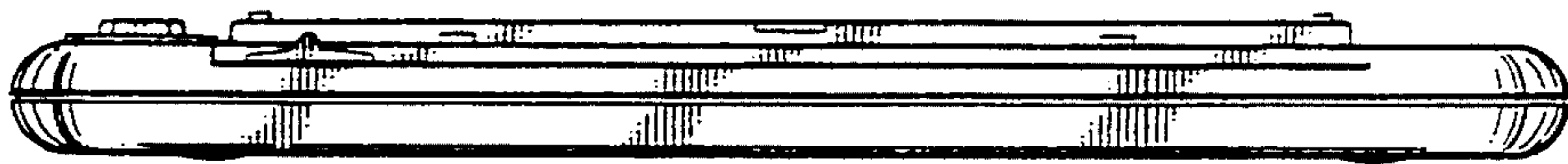


FIG. 6

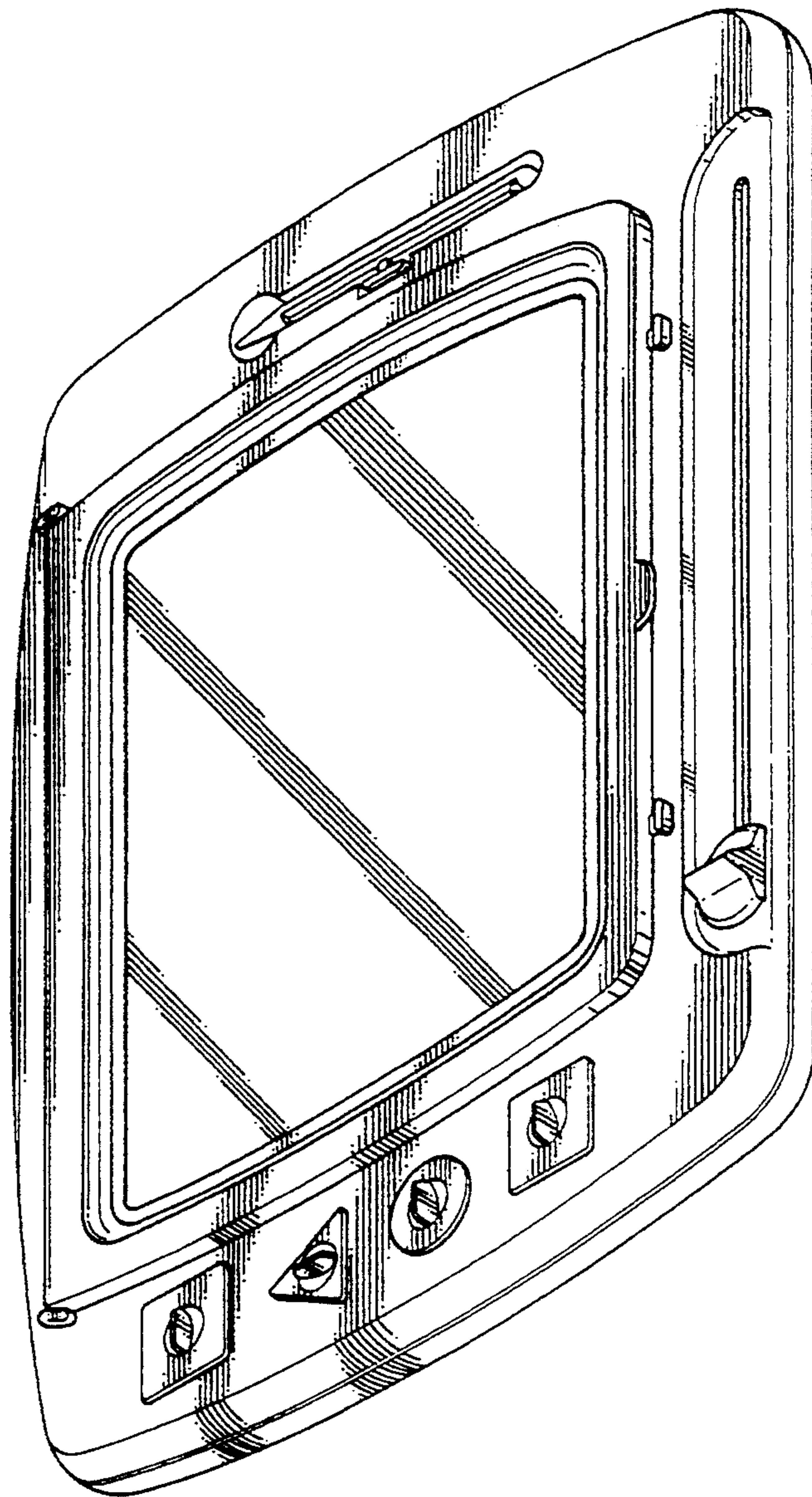


FIG. 7