



US00D359979S

United States Patent [19]

[11] Patent Number: **Des. 359,979**

Horiguchi et al.

[45] Date of Patent: **** Jul. 4, 1995**

[54] **TRAY ASSEMBLY FOR COMBINED COPYING MACHINE, PRINTER AND FACSIMILE TRANSMITTER-RECEIVER**

Assistant Examiner—Caron D. Veynar
Attorney, Agent, or Firm—Dickstein, Shapiro & Morin

[75] Inventors: **Shigeru Horiguchi, Saitama; Tatsuo Okuda, Kanagawa, both of Japan**

[57] **CLAIM**

The ornamental design for tray assembly for combined copying machine, printer and facsimile transmitter-receiver, as shown and described.

[73] Assignee: **Ricoh Company, Ltd., Tokyo, Japan**

[**] Term: **14 Years**

DESCRIPTION

[21] Appl. No.: **13,545**

FIG. 1 is a top, front, and left side perspective view of a tray assembly for combined copying machine, printer and facsimile transmitter-receiver showing our new design;

[22] Filed: **Sep. 27, 1993**

[52] U.S. Cl. **D18/48; D18/46**

FIG. 2 is a front elevational view thereof;

[58] Field of Search **D18/46-49;**

271/8.1, 10; 355/200, 308, 309, 322, 323; 358/300; 400/595, 624-629

FIG. 3 is a top plan view thereof;

FIG. 4 is a rear elevational view thereof;

FIG. 5 is a bottom plan view thereof;

FIG. 6 is a right side elevational view thereof;

FIG. 7 is a left side elevational view thereof; and,

FIG. 8 is a front, top and left side perspective view thereof, the broken line showing of a combined copying machine, printer and facsimile transmitter-receiver is environmental only and forms no part of the claimed design.

[56] **References Cited**

U.S. PATENT DOCUMENTS

D. 304,600 11/1989 Takano **D18/48**

4,569,586 2/1986 Koyama **D18/47 X**

Primary Examiner—Alan P. Douglas

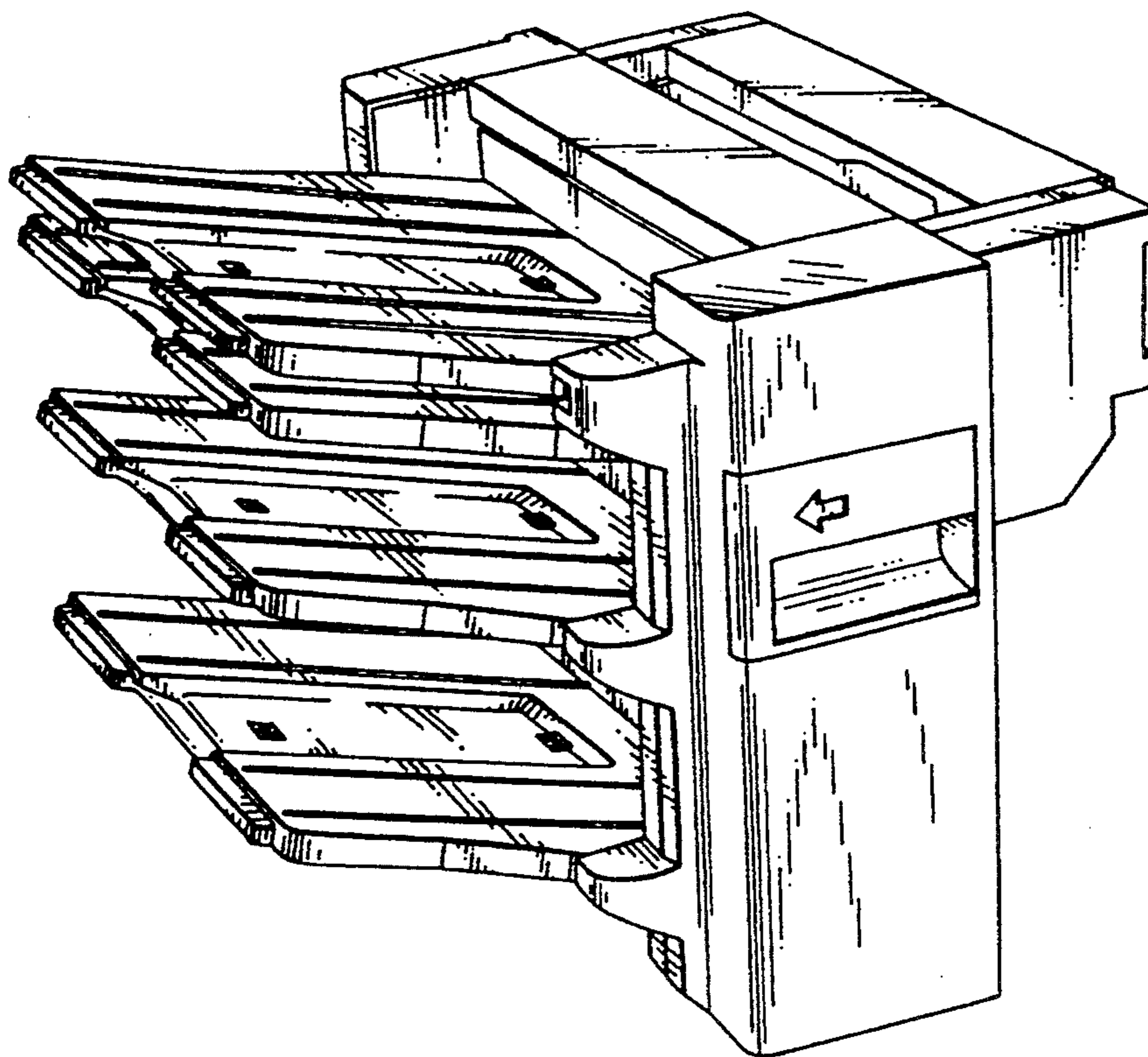


FIG. 1

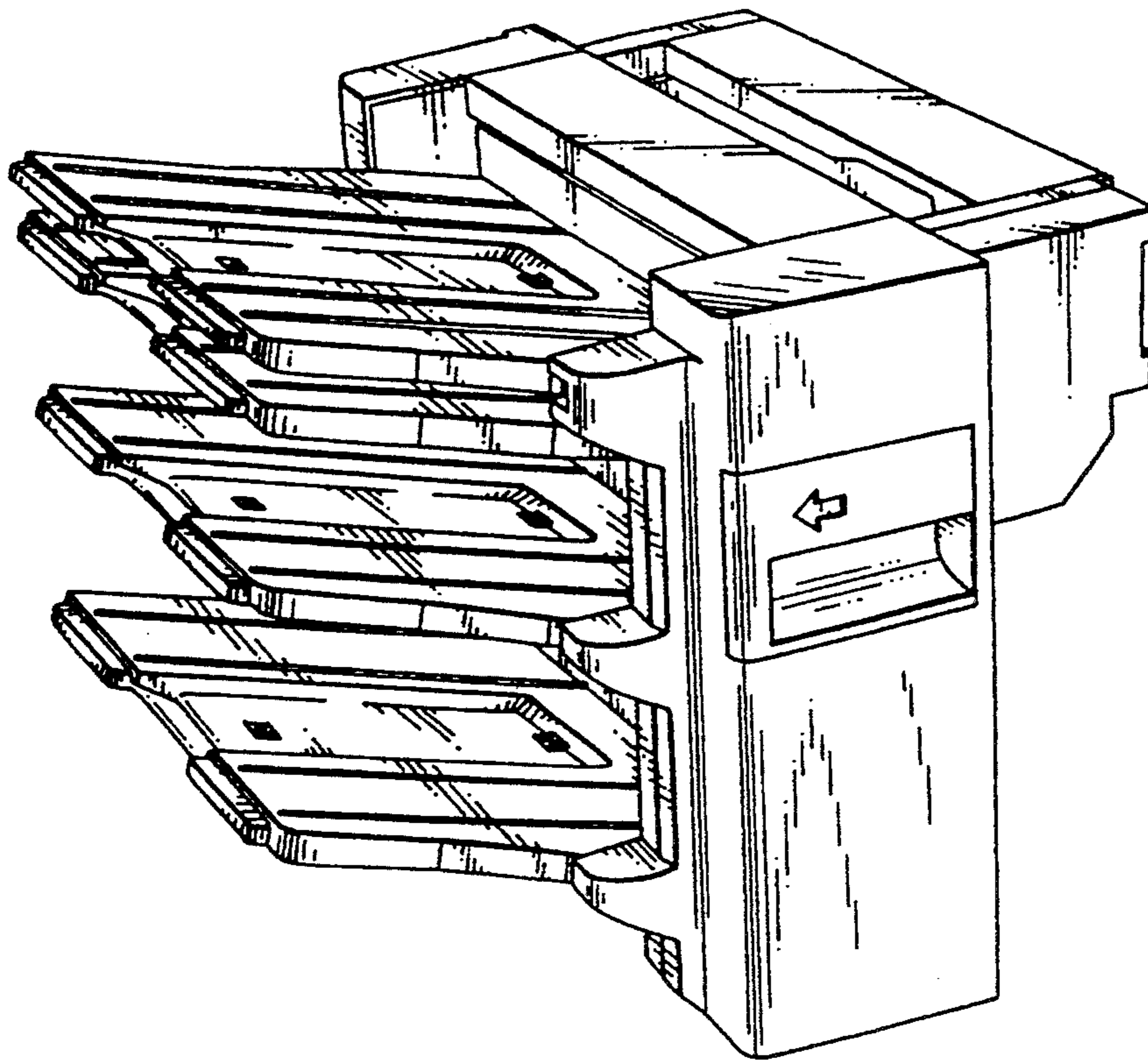


FIG. 2

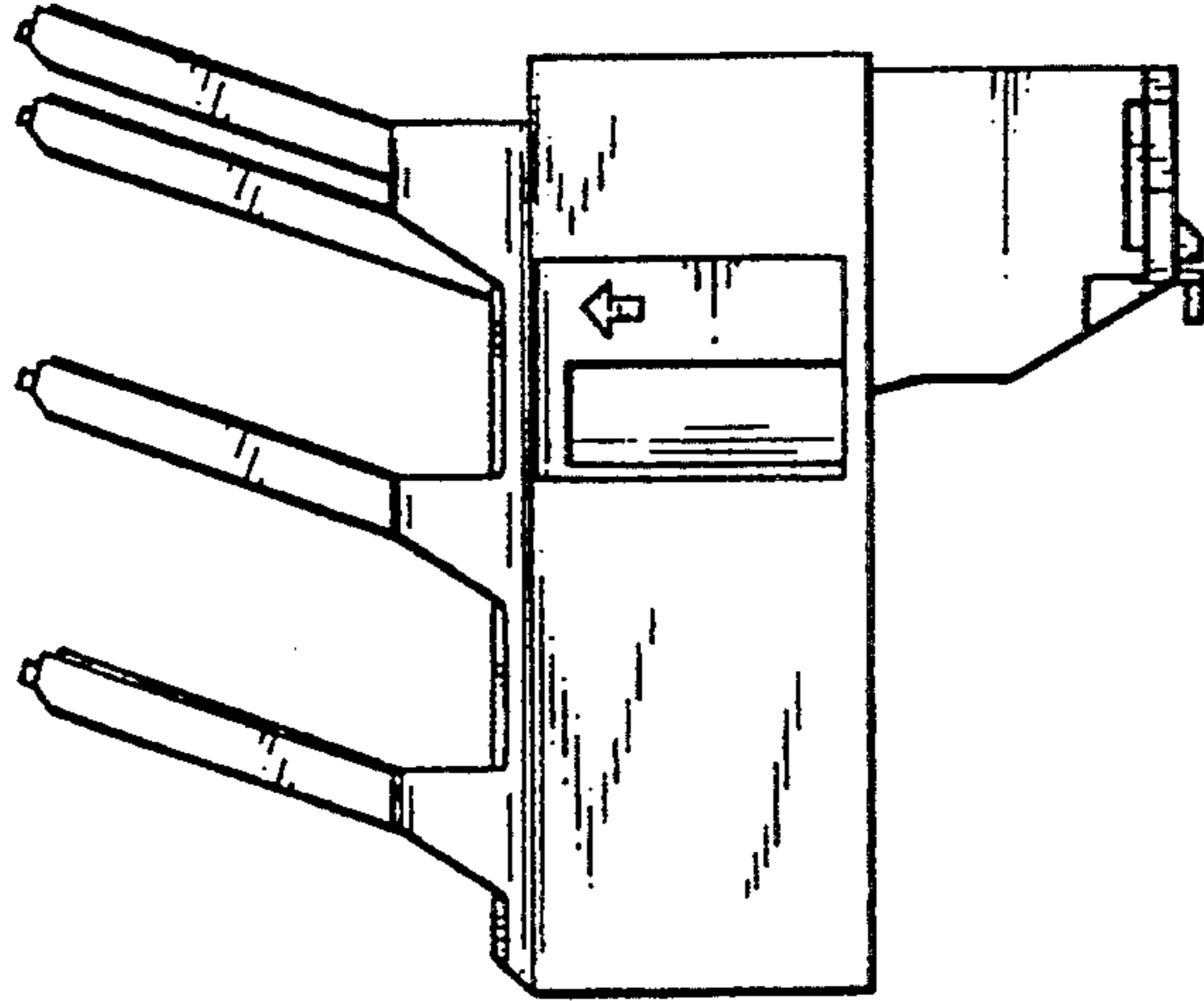


FIG. 3

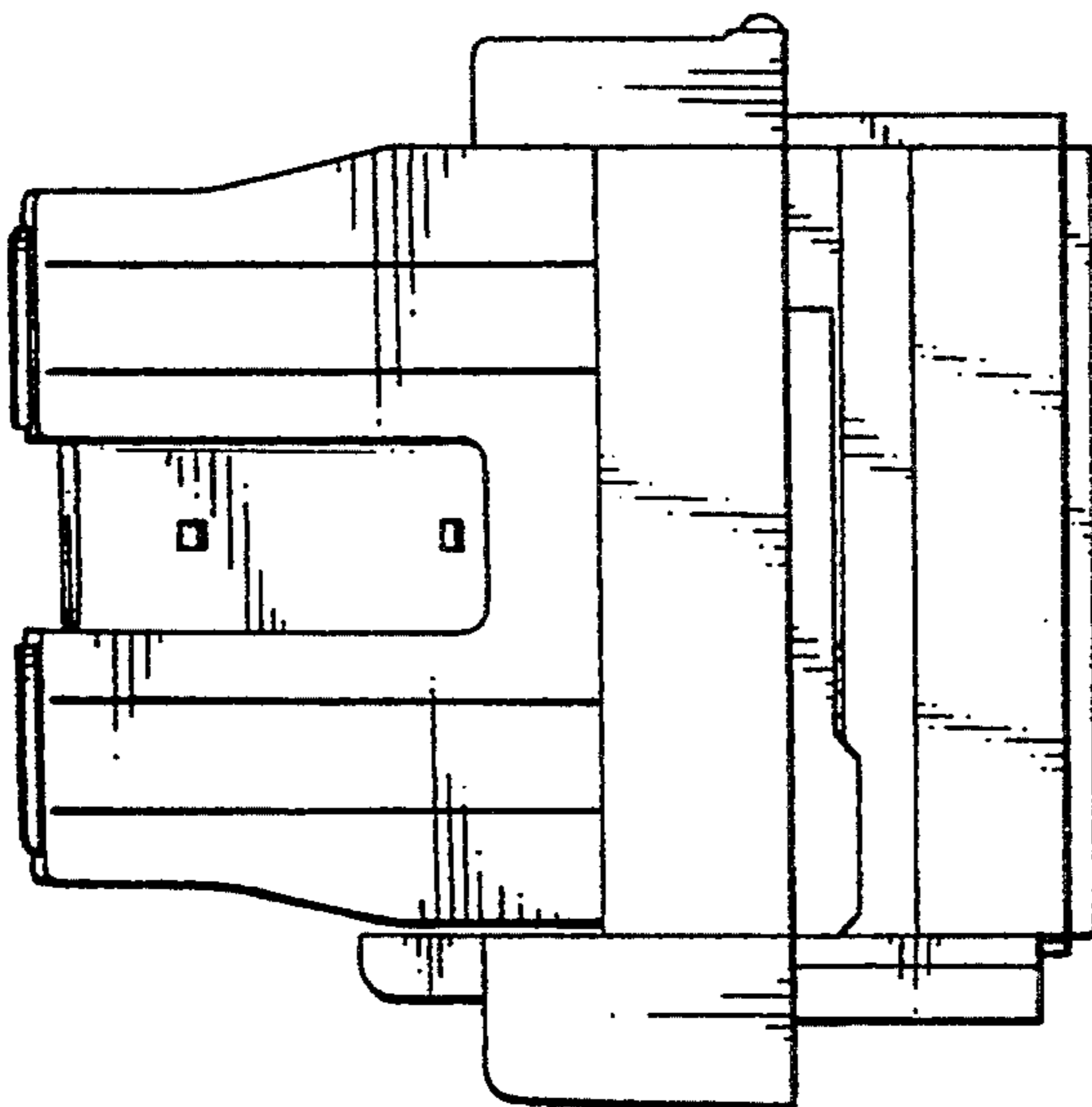


FIG. 4

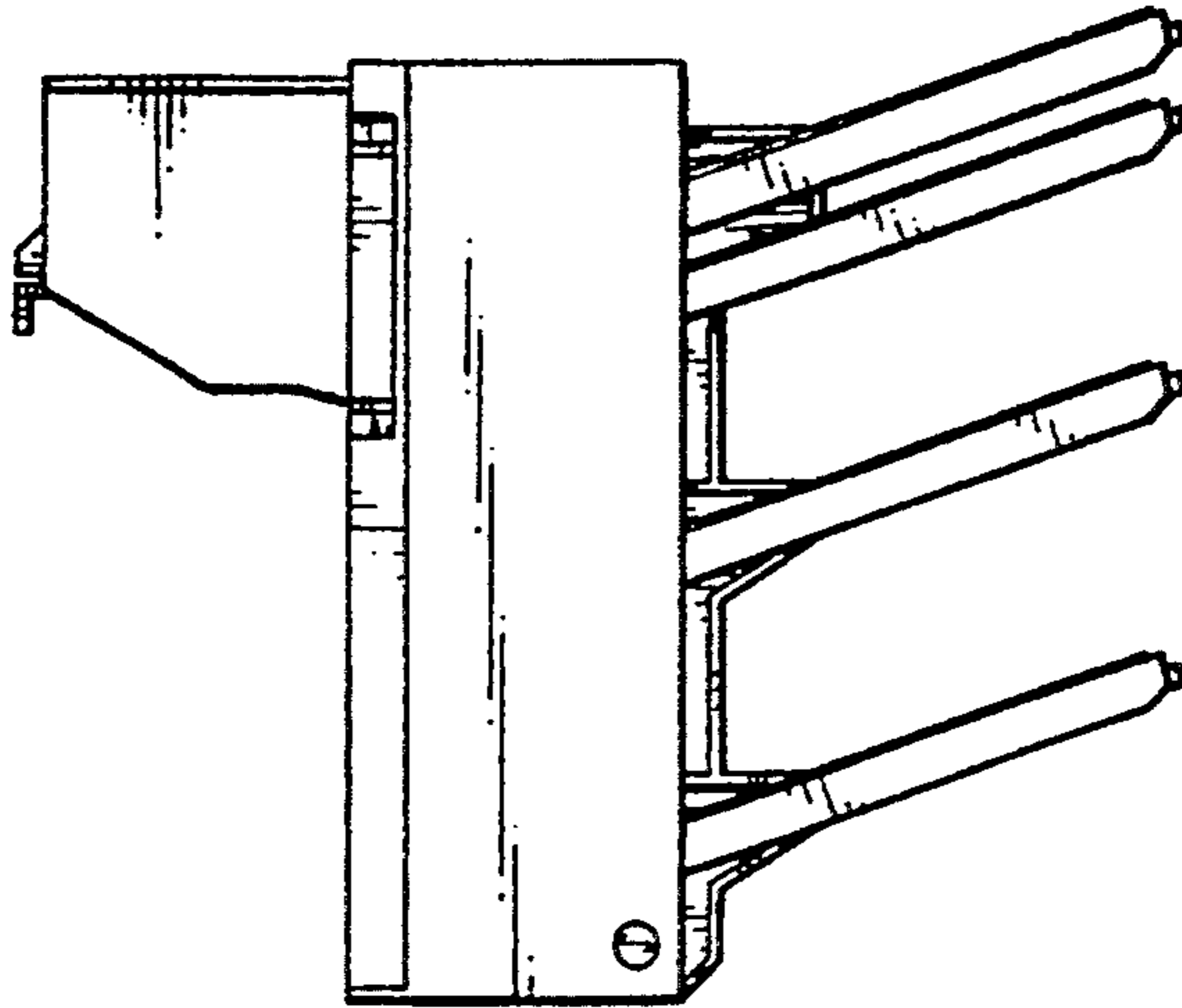


FIG. 5

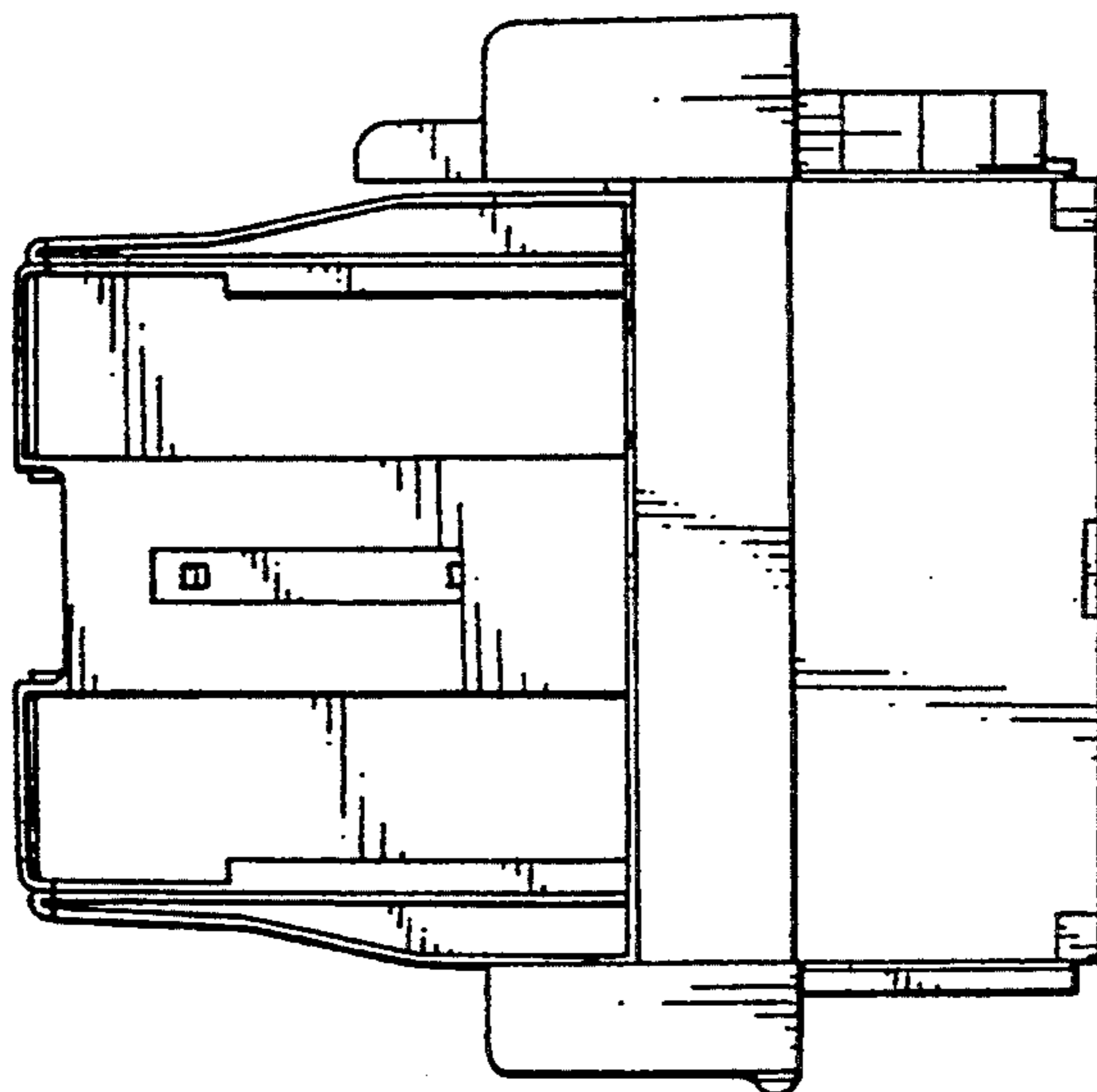


FIG. 6

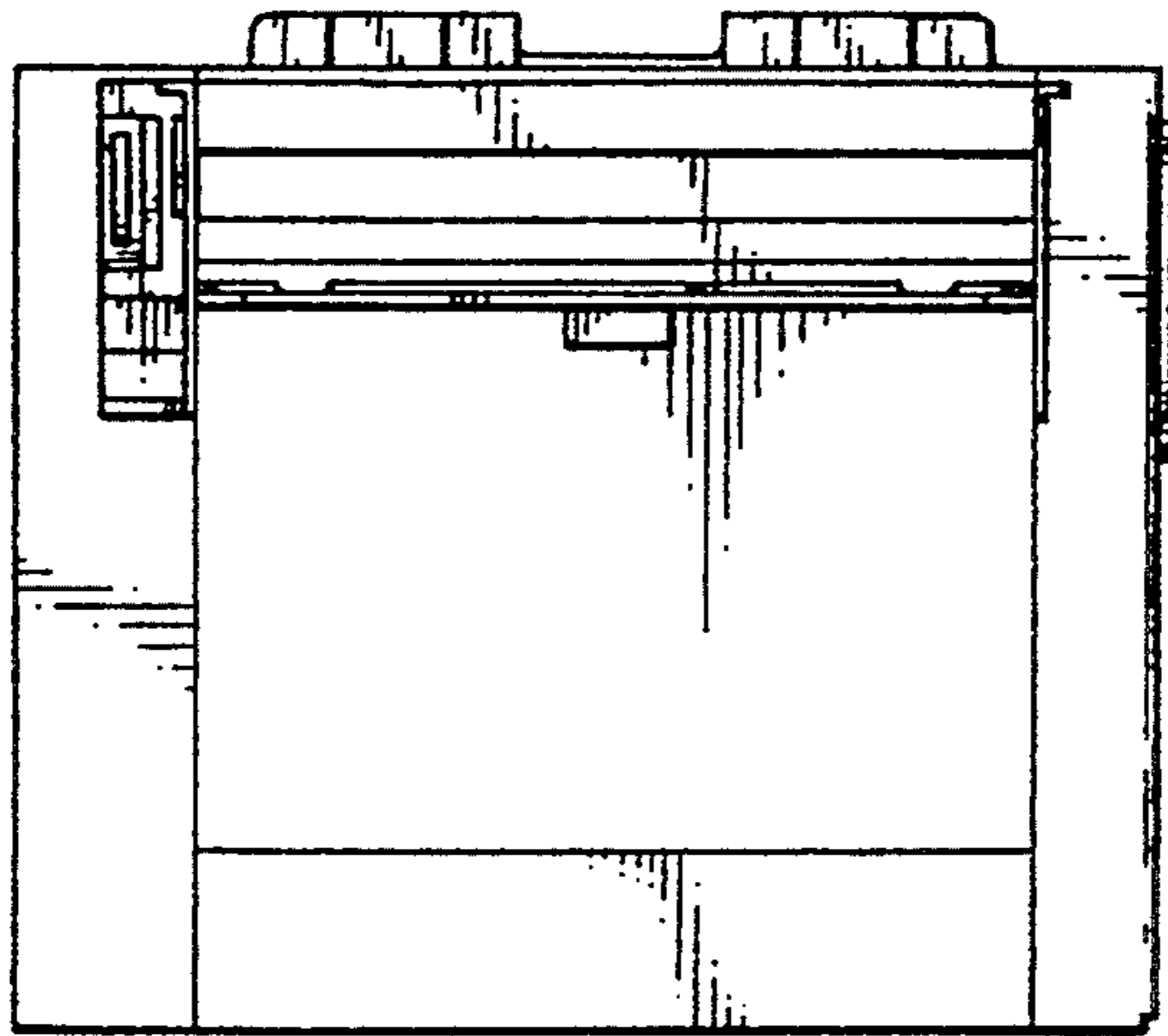


FIG. 7

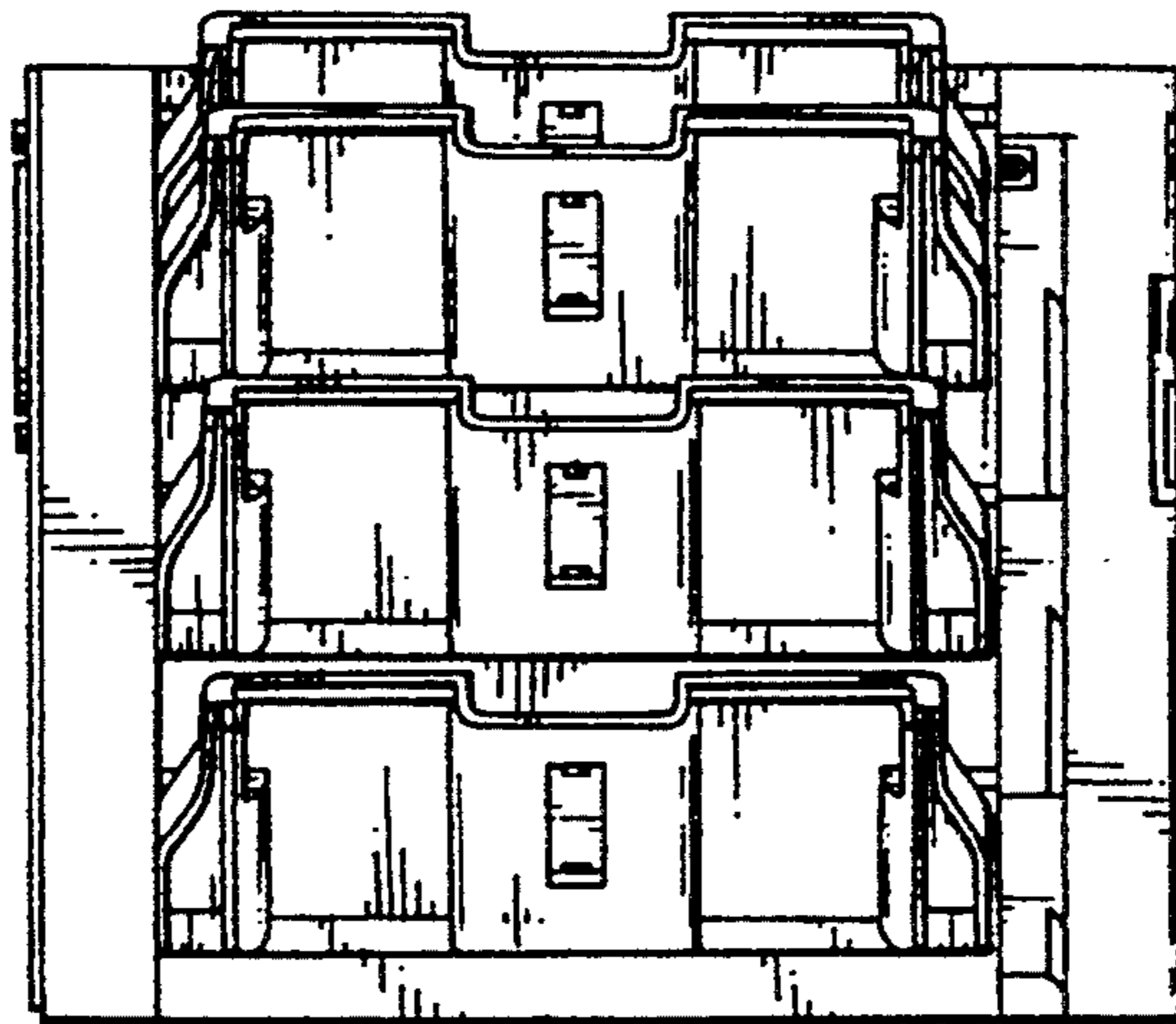


FIG. 8

