



US00D359978S

United States Patent [19]

[11] Patent Number: Des. 359,978

Eagle

[45] Date of Patent: \*\* Jul. 4, 1995

[54] DRUMSTICK PRACTICE PAD

OTHER PUBLICATIONS

[76] Inventor: David Eagle, 2042 High Tower Dr., Los Angeles, Calif. 90068

Best Catalog, 1984-1985 p. 326 (Synsonics Electronic Drums, Item 9).

[\*\*] Term: 14 Years

Primary Examiner—Theodore M. Shooman  
Assistant Examiner—Adir Aronovich  
Attorney, Agent, or Firm—Albert O. Cota

[21] Appl. No.: 24,068

[57] CLAIM

[22] Filed: Jun. 7, 1994

The ornamental design for a drumstick practice pad, as shown and described.

[52] U.S. Cl. .... D17/22

DESCRIPTION

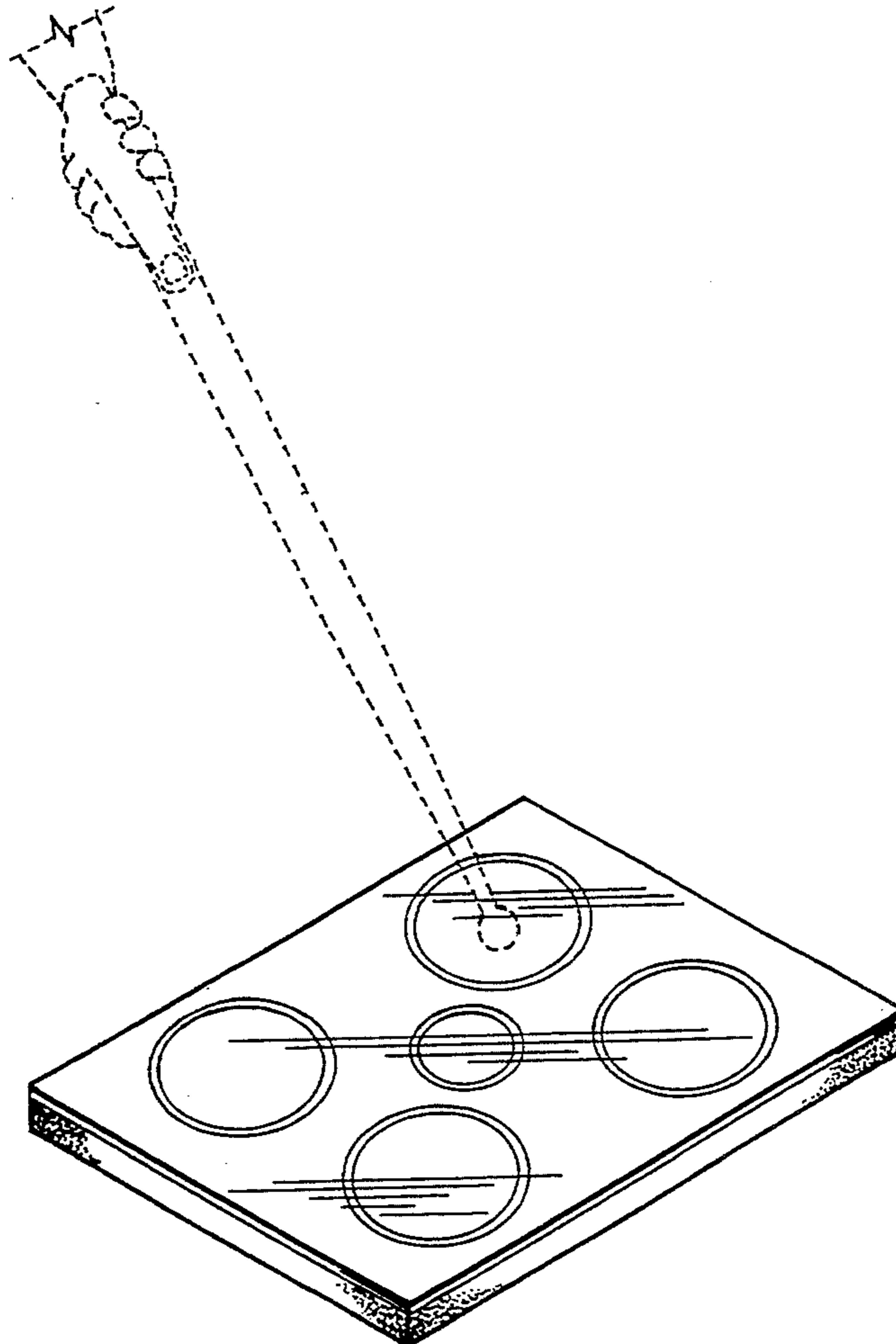
[58] Field of Search ..... D17/22, 99; 84/411 R, 84/411 P, 723-733, DIG. 12, DIG. 24

FIG. 1 is a top perspective view of a drumstick practice pad showing my new design;  
FIG. 2 is a top plan view thereof;  
FIG. 3 is a bottom plan view thereof;  
FIG. 4 is an elevational front side view the elevational back view being a mirror image thereof; and,  
FIG. 5 is an elevational right side view thereof the elevational left side view being a mirror image thereof.  
The broken line showing of a hand holding a practice drumstick is for illustrative purposes only and forms no part of the claimed design.

[56] References Cited

U.S. PATENT DOCUMENTS

D. 244,717	6/1977	Schneider et al. ....	D17/22
D. 316,422	4/1991	Mine .....	D17/22
D. 319,249	8/1991	Aluisi .....	D17/22
3,113,480	12/1963	Giarratano .....	84/411 R
4,179,974	12/1979	Trankle .....	84/411 P
4,479,412	10/1984	Klynas .....	84/730



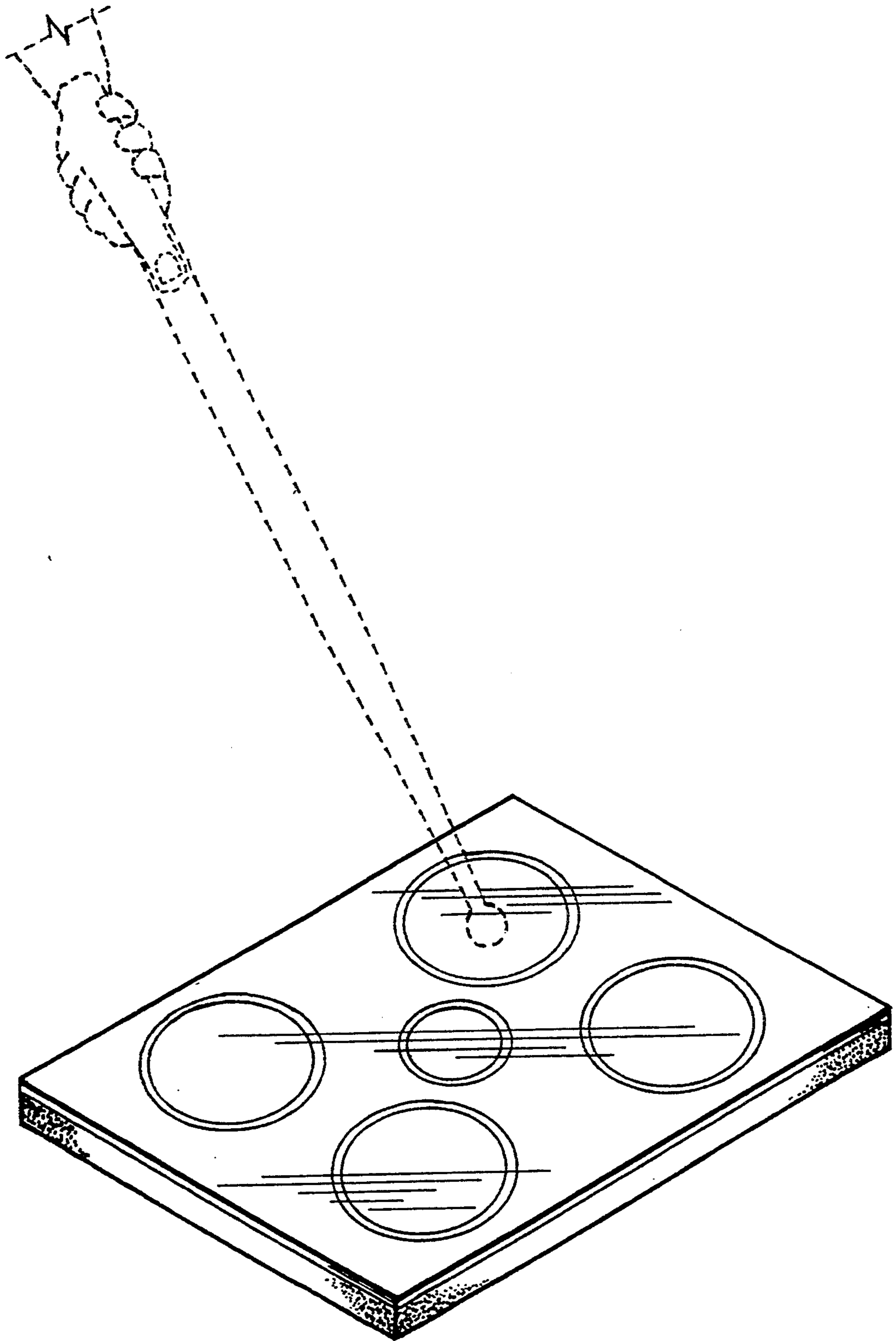


Fig. 1.

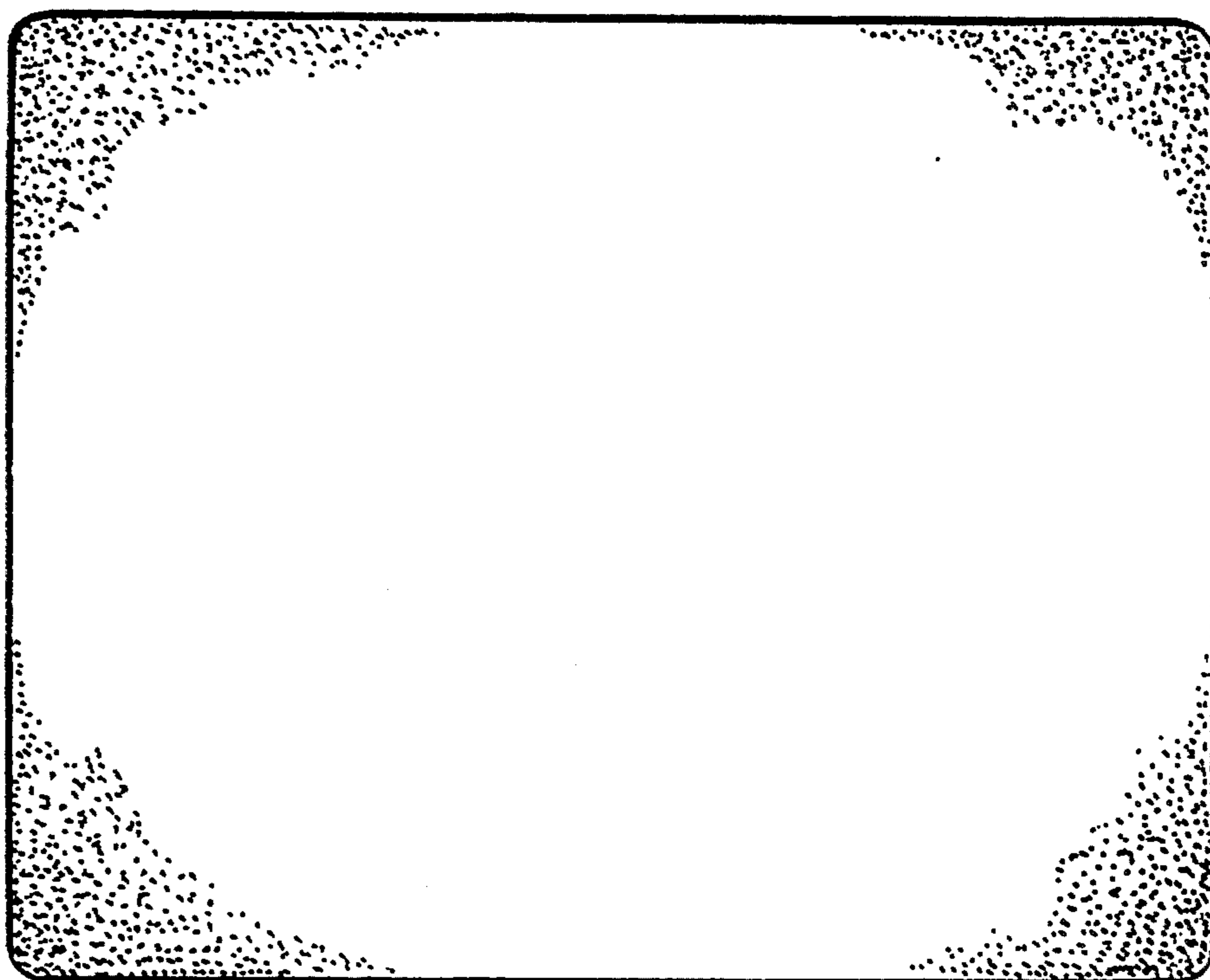


Fig. 3.

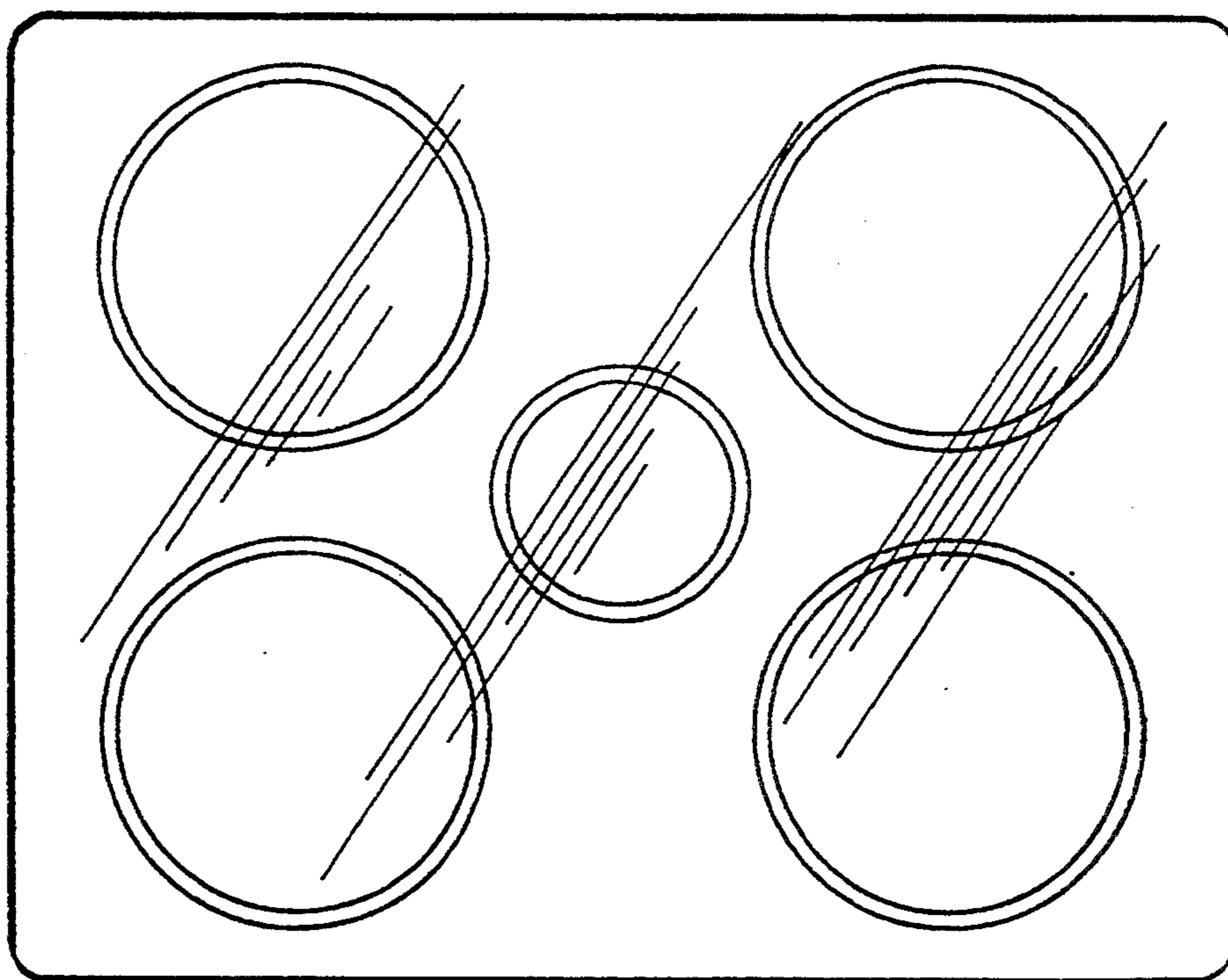


Fig. 2.



Fig.4.

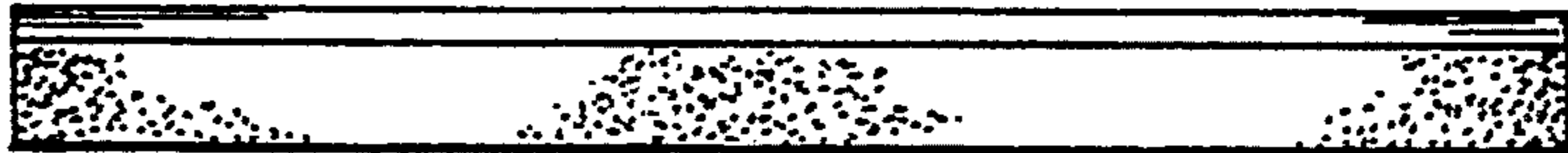


Fig.5.