



US00D359976S

# United States Patent [19]

[11] Patent Number: **Des. 359,976**

**Matsuda**

[45] Date of Patent: **\*\* Jul. 4, 1995**

[54] **35 MM CAMERA**

[75] Inventor: **Takashi Matsuda**, Tokyo, Japan

[73] Assignee: **Asahi Kogaku Kogyo Kabushiki Kaisha**, Tokyo, Japan

[\*\*] Term: **14 Years**

[21] Appl. No.: **23,905**

[22] Filed: **Jun. 2, 1994**

[30] **Foreign Application Priority Data**

Dec. 2, 1993 [JP] Japan ..... 5-36537

[52] U.S. Cl. .... **D16/209; D16/218**

[58] Field of Search ..... **D16/200, 201, 203-204, D16/208, 209, 216-218; 354/126, 149.11, 202, 195.12, 288**

[56] **References Cited**

**U.S. PATENT DOCUMENTS**

D. 313,423	1/1991	Onuma et al. ....	D16/209
D. 335,680	5/1993	Onuma .....	D16/209
D. 342,963	1/1994	Isozaki .....	D16/209
D. 343,406	1/1994	Giugiaro .....	D16/209
D. 343,963	1/1994	Isozaki .....	D16/209
D. 344,743	3/1994	Fukushima et al. ....	D16/209
D. 350,554	9/1994	Shirai .....	D16/209
4,990,945	2/1992	Cho et al. ....	354/195.12

**OTHER PUBLICATIONS**

Modern Photography May 1988 p. 41 (Vivitar 300 Z).  
Evans Catalog, 1988-1989 p. 305 Y (Vivitar PS-120, item 3).

*Primary Examiner*—Theodore M. Shooman  
*Assistant Examiner*—Adir Aronovich  
*Attorney, Agent, or Firm*—Sughrue, Mion, Zinn, Macpeak & Seas

[57] **CLAIM**

The ornamental design for a 35 MM camera, as shown and described.

**DESCRIPTION**

FIG. 1 is a perspective view showing the top, front and right side of a 35 MM camera showing my new design; FIG. 2 is a front elevational view thereof; FIG. 3 is a top plan view thereof; FIG. 4 is a left side elevational view thereof; FIG. 5 is a right side elevational view thereof; FIG. 6 is a rear elevational view thereof; FIG. 7 is a bottom plan view thereof; FIG. 8 is a perspective view similar to FIG. 1 showing a modified construction with the lens retracted; and, FIG. 9 is a perspective view similar to FIG. 8 with the lens extended.

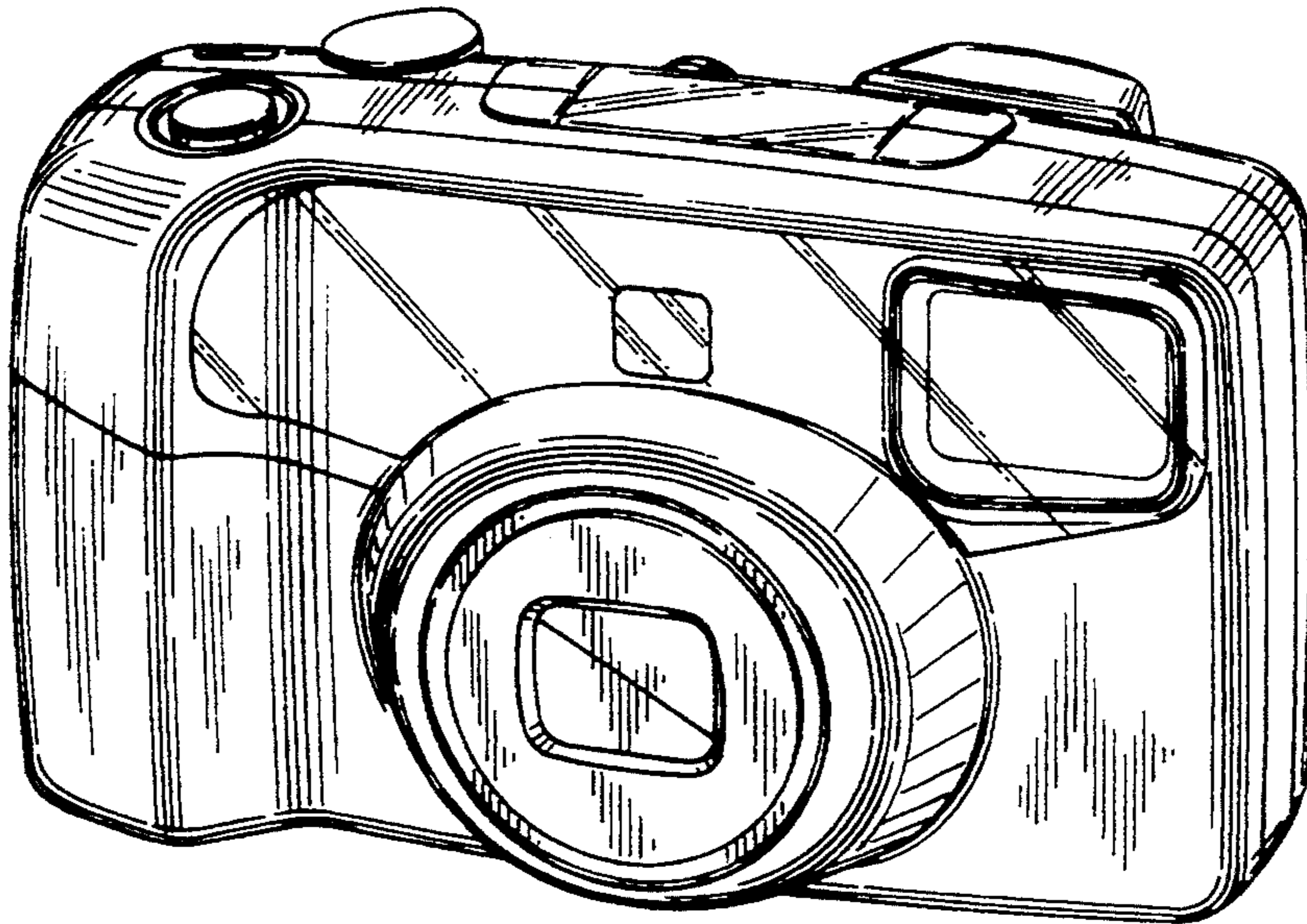


FIG. 1

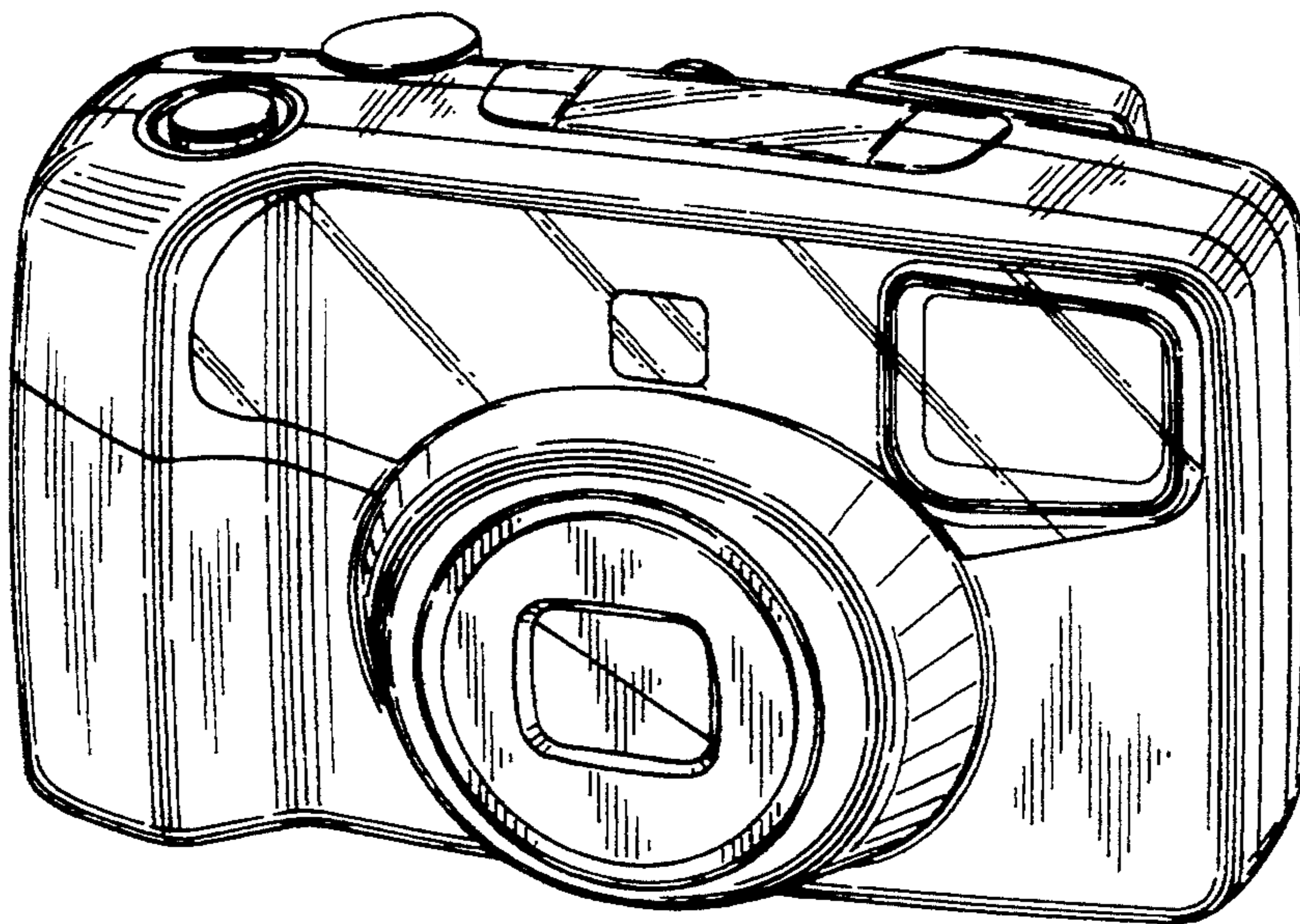


FIG. 2

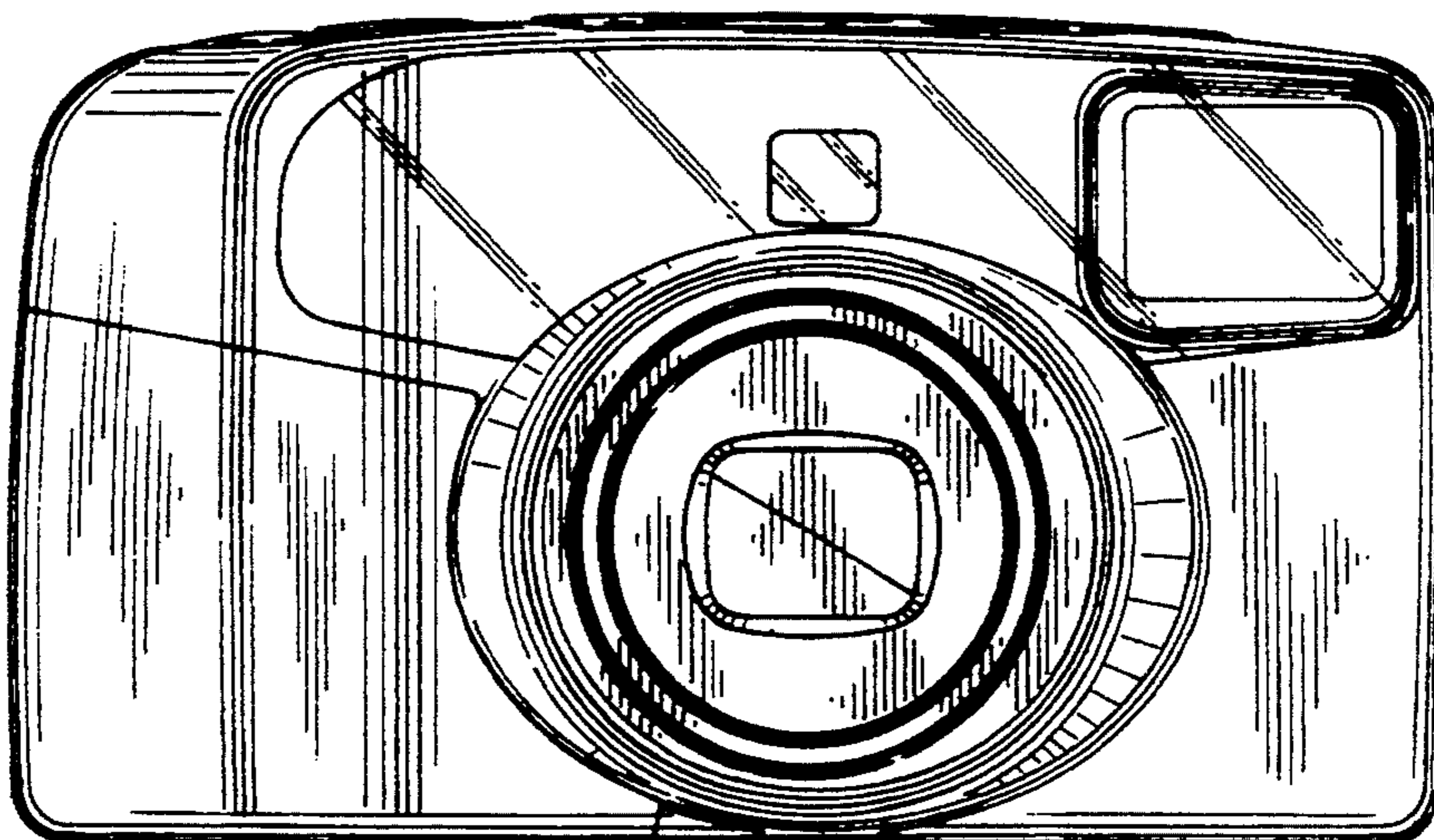


FIG. 3

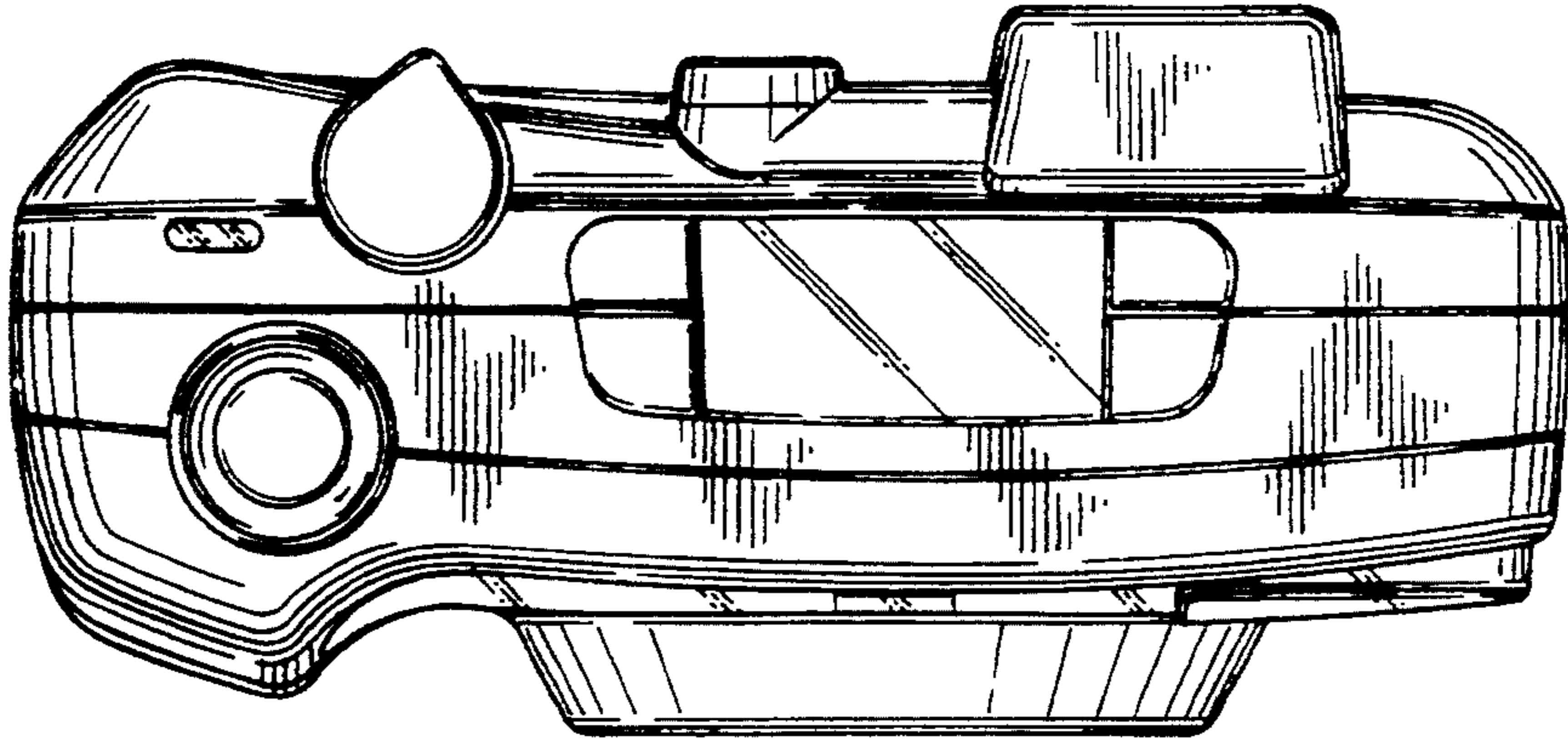


FIG. 4

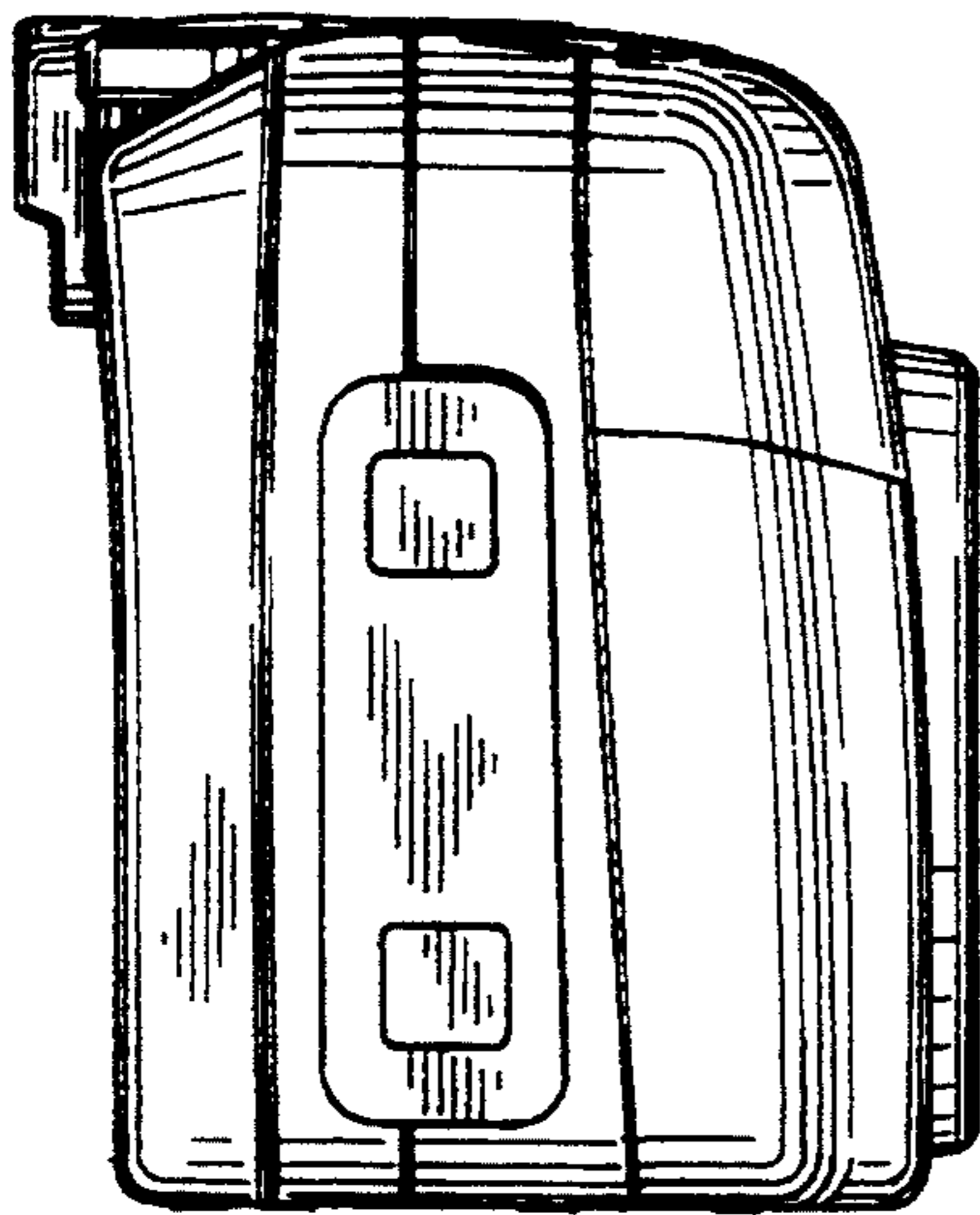


FIG. 5

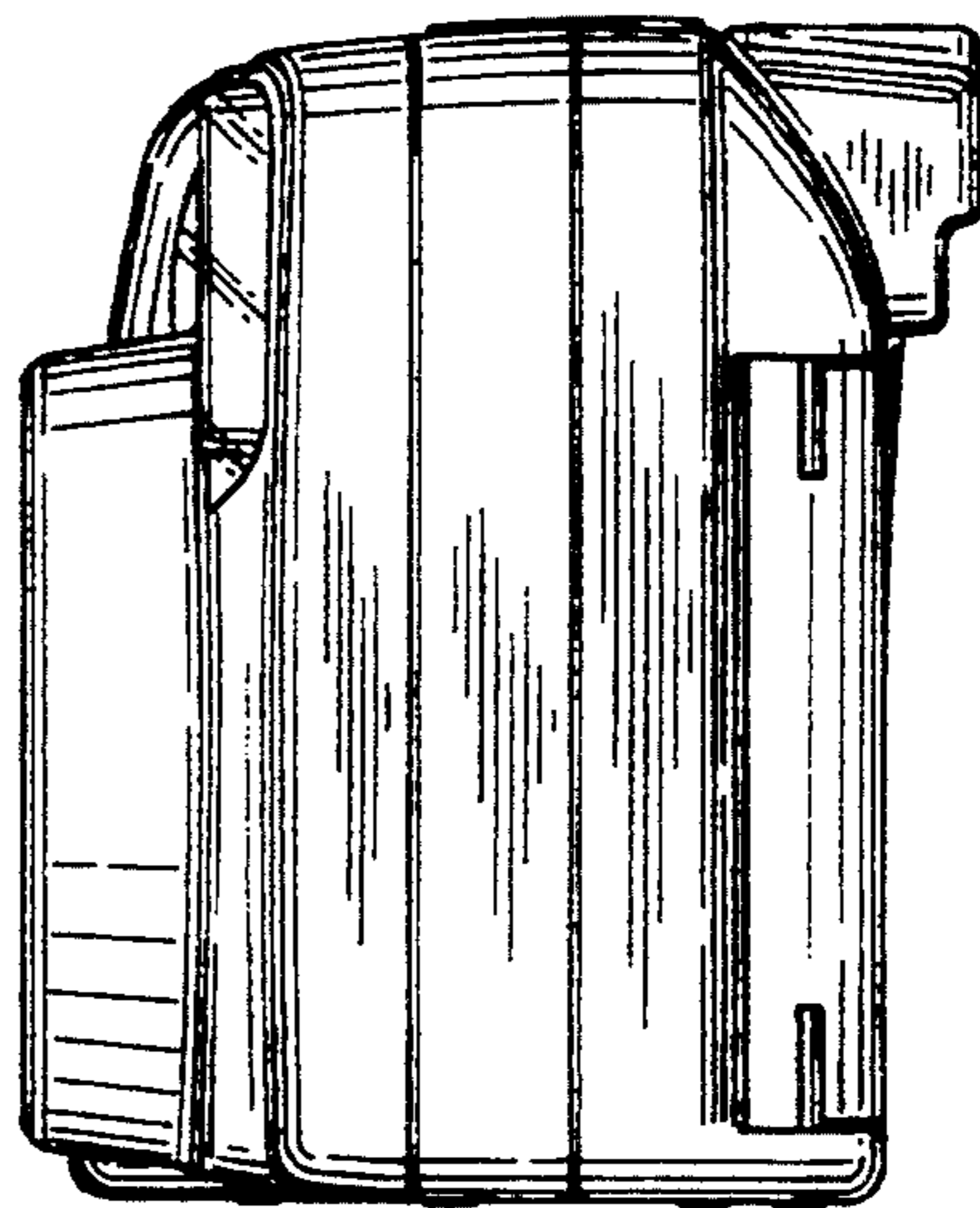


FIG. 6

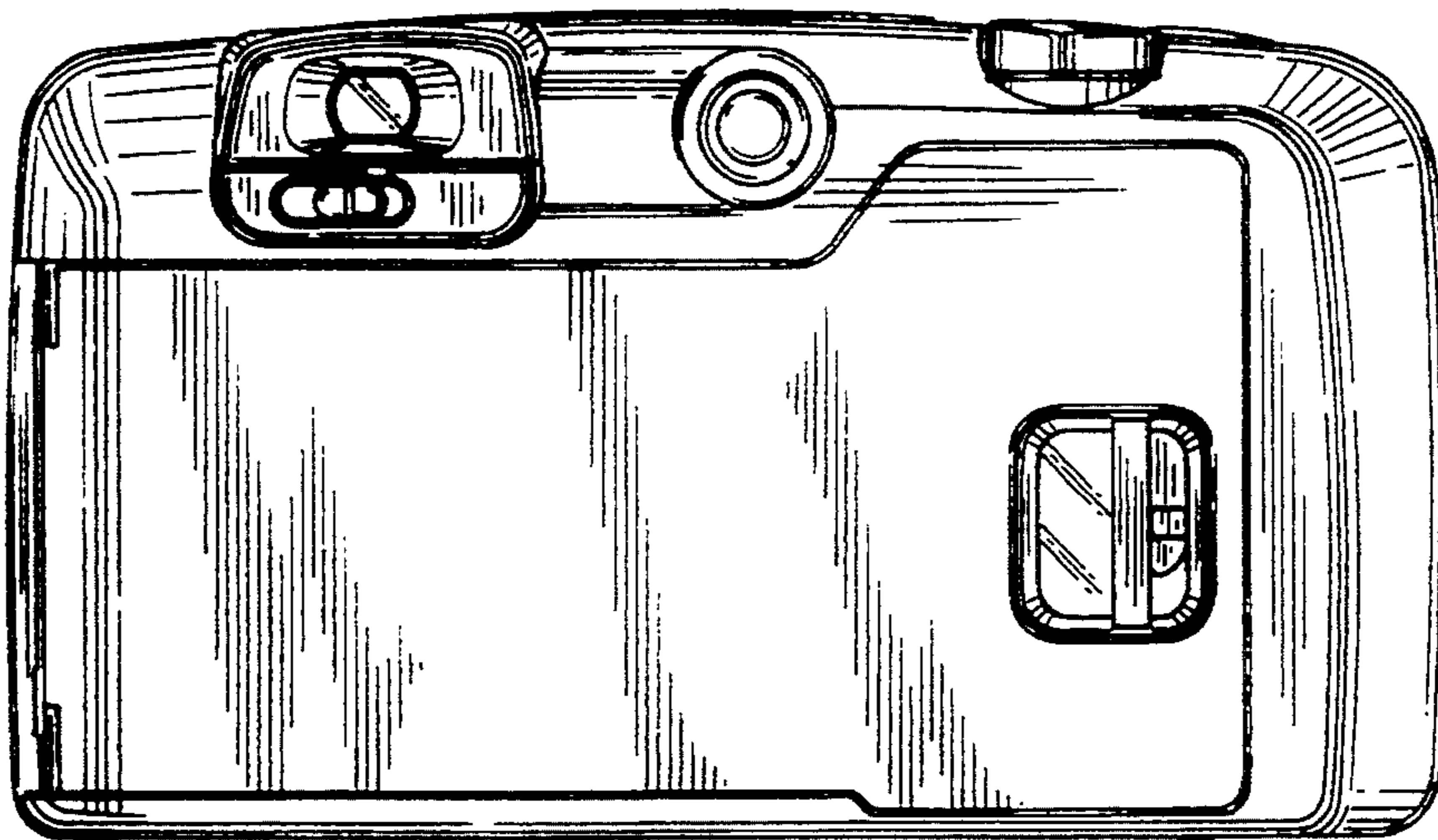


FIG. 7

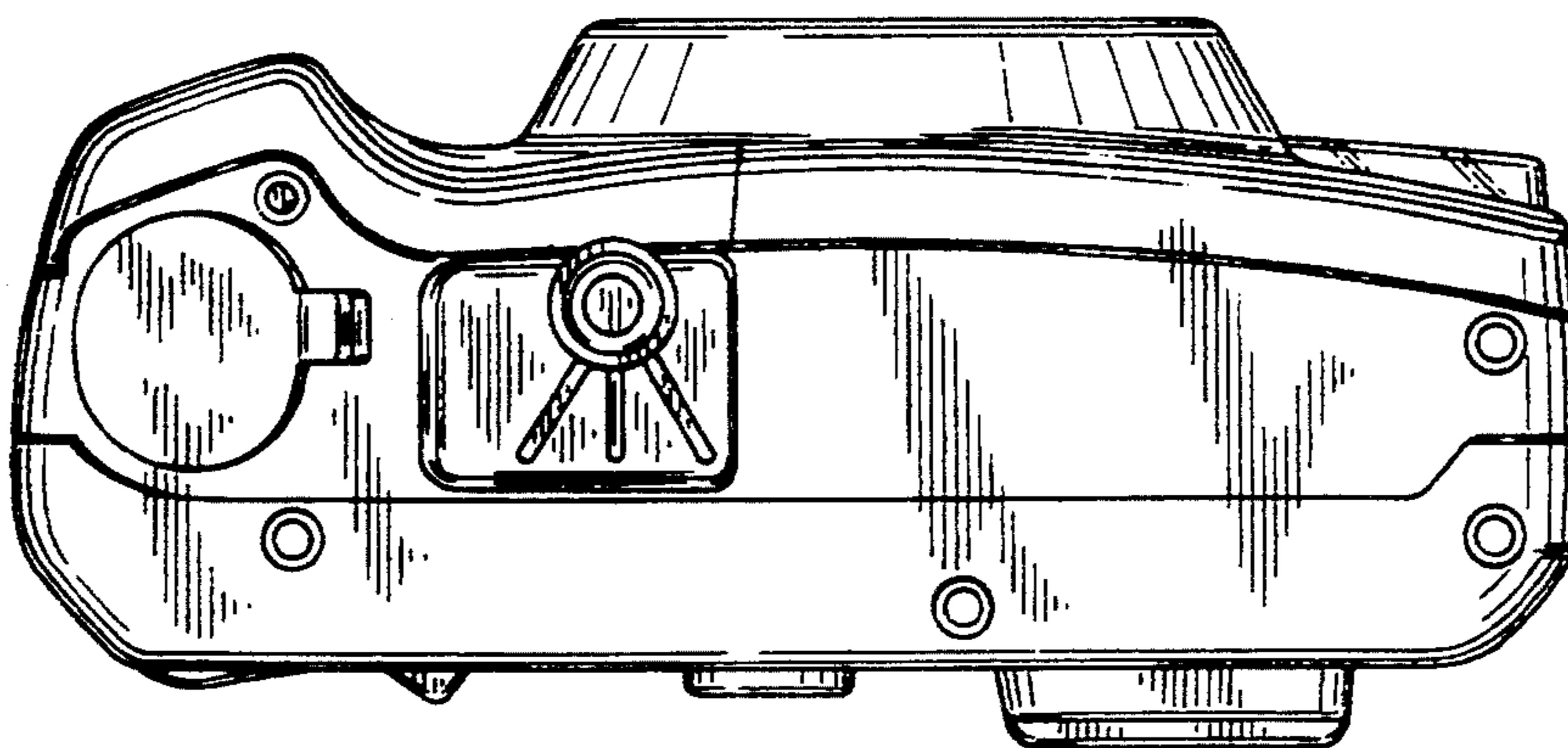


FIG. 8

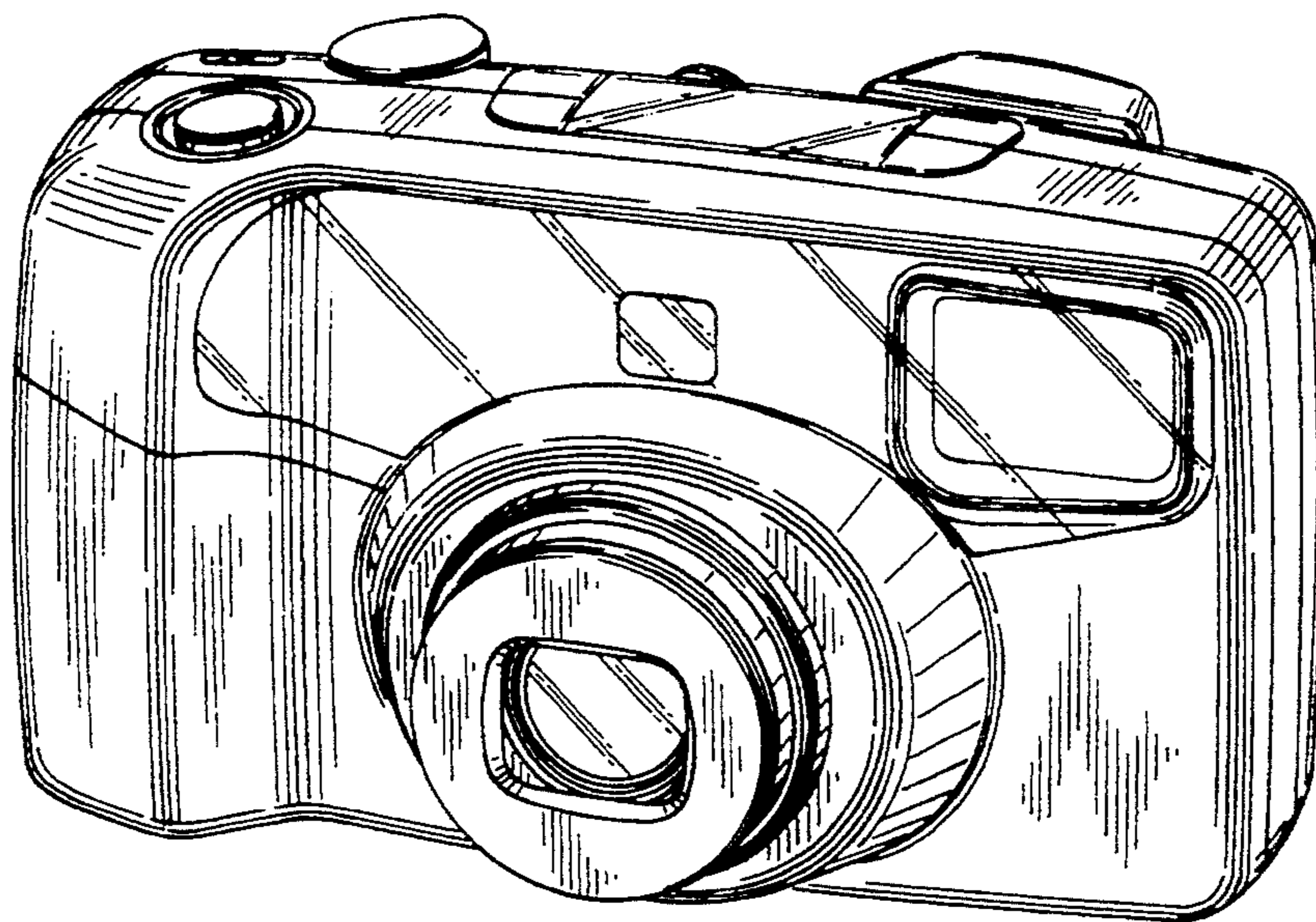


FIG. 9

